



US00D860688S

(12) **United States Design Patent** (10) **Patent No.:** **US D860,688 S**
Schmitt (45) **Date of Patent:** **** Sep. 24, 2019**

(54) **DRESSER WITH MIRROR**

(71) Applicant: **Jack Schmitt**, Mission Viejo, CA (US)

(72) Inventor: **Jack Schmitt**, Mission Viejo, CA (US)

(73) Assignee: **AMINI INNOVATION CORPORATION**, Pico Rivera, CA (US)

(**) Term: **15 Years**

(21) Appl. No.: **29/627,369**

(22) Filed: **Nov. 27, 2017**

Related U.S. Application Data

(62) Division of application No. 29/559,420, filed on Mar. 28, 2016, now Pat. No. Des. 803,603.

(51) **LOC (12) Cl.** **06-04**

(52) **U.S. Cl.**
USPC **D6/664.1**

(58) **Field of Classification Search**
USPC D6/407, 657, 661, 663, 664, 664.1, D6/668.2, 671, 671.1, 671.4, 675, 675.1, D6/675.5, 683.1, 691.1, 691.8, 691.9, D6/702, 703; D14/168, 184; D15/85; D8/310; D23/342, 284, 285, 286, 300, D23/293.1; D13/184
CPC ... A47B 47/024; A47B 87/008; A47B 87/002; A47B 88/48; A47B 88/90; A47B 2210/19; A47B 47/04; A47B 67/04; A47B 87/00; A47B 88/00; A47B 88/75; A47F 3/0413; A47F 5/116; A47F 5/0018; A47F 9/00; A47F 7/02; Y10T 428/24694; F25D 21/14;

(Continued)

(56) **References Cited**

U.S. PATENT DOCUMENTS

107,479 A 9/1870 Gilman
D23,928 S 1/1895 Rice
D90,370 S 7/1933 McClure

(Continued)

OTHER PUBLICATIONS

Ethan Allen Circular, Legacy Collection Dresser with Mirror (reflected in mirror), p. 5, 1996.

(Continued)

Primary Examiner — Kevin K Rudzinski

Assistant Examiner — Paul D Bohannon

(74) *Attorney, Agent, or Firm* — Cislo & Thomas, LLP

(57) **CLAIM**

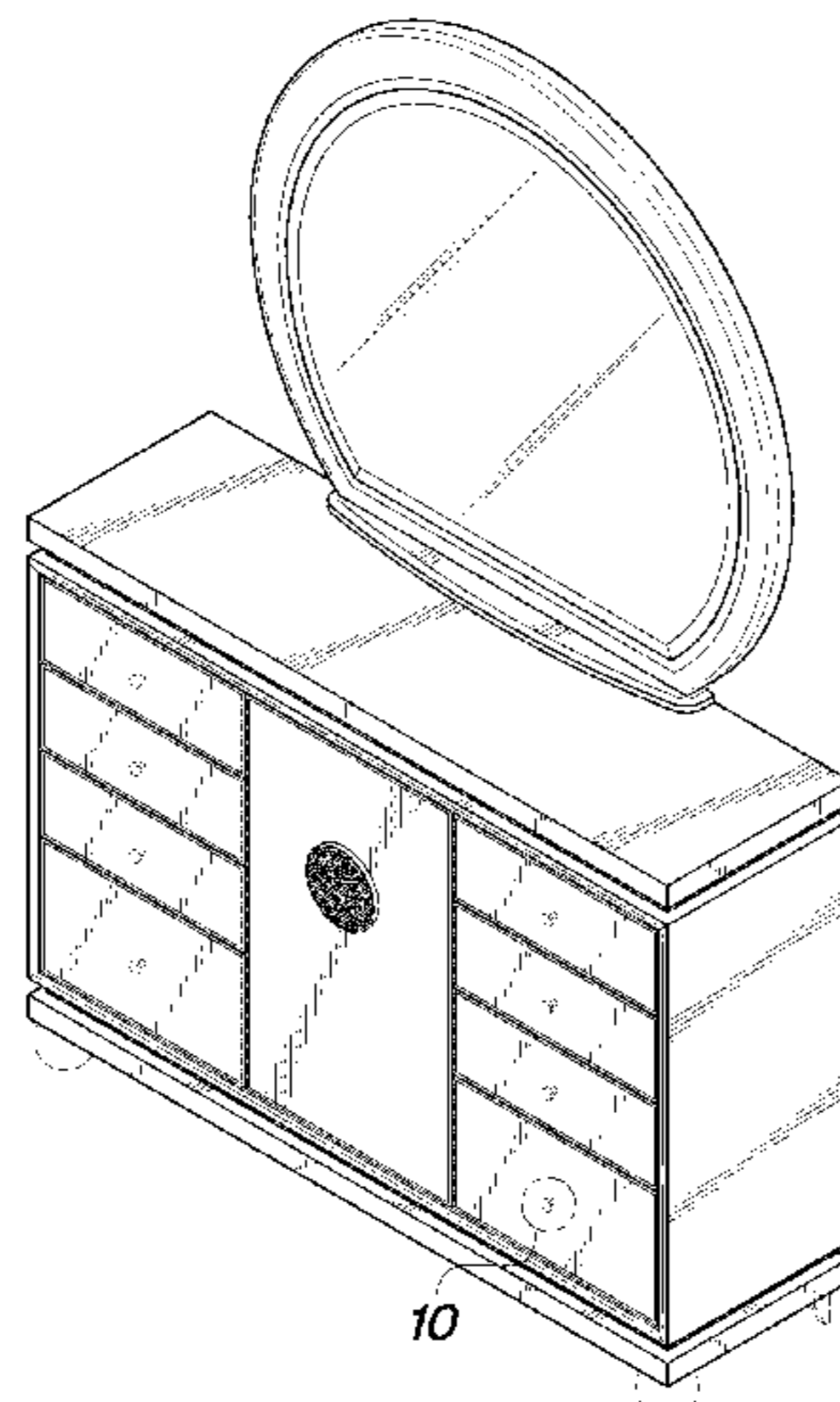
I claim the ornamental design for a dresser with mirror, as shown and described.

DESCRIPTION

FIG. 1 is a perspective view of my dresser with mirror; FIG. 2 is a front view thereof; FIG. 3 is a left side view, the right side (not shown) is a mirror image thereof; FIG. 4 is a top view of my dresser with mirror; FIG. 5 is a close up view of the area designated as area “5” in FIG. 2; FIG. 6 is a close up view of the area designated as “6” in FIG. 2; FIG. 7 is a close up view of the area designated as “7” in FIG. 5; FIG. 8 is a close up view of the area designated as “8” in FIG. 2; FIG. 9 is a close up view of the area designated as “9” in FIG. 8; and, FIG. 10 is a close up view of the area designated as “10” in FIG. 1.

The broken lines are for environmental purposes only and form no part of the claimed design. The design features partially depicted inside of the circular center element of FIGS. 1 and 2 represent design features that are understood to be distributed uniformly within the circular center element in FIGS. 1 and 2.

1 Claim, 6 Drawing Sheets



(58) **Field of Classification Search**
 CPC . F25D 23/069; F25D 2400/10; E05B 65/463
 See application file for complete search history.

(56) **References Cited**

U.S. PATENT DOCUMENTS

2,009,225 A 7/1935 Farrar
 D101,782 S * 11/1936 Krick D6/664.1
 D106,297 S 10/1937 Krick
 D106,300 S * 10/1937 Krick D6/664.1
 D109,986 S 6/1938 Hickerson
 D118,943 S * 2/1940 Krick D6/664.1
 D134,062 S 10/1942 Witman
 D143,189 S 12/1945 Colef
 D163,353 S * 5/1951 Belanger D6/664.1
 D198,795 S 8/1964 Hekler
 D198,796 S 8/1964 Heckler
 D208,029 S 7/1967 Mulder
 D216,709 S 3/1970 Chapin
 D223,206 S 3/1972 Adkinson
 D227,838 S 7/1973 Adkinson
 D234,177 S 1/1975 Keller
 D241,210 S 8/1976 Elsen
 D241,211 S 8/1976 Elsen
 D242,678 S 12/1976 Adkinson
 D258,331 S 2/1981 Brown
 D258,333 S 2/1981 Brown
 D265,155 S 6/1982 Bravo
 D269,927 S 8/1983 Aulbert et al.
 D270,125 S 8/1983 Aulbert et al.
 D272,698 S 2/1984 Aulbert et al.
 D299,296 S 1/1989 Lafko
 D321,438 S 11/1991 Pauer et al.
 D341,502 S 11/1993 Ball
 D343,744 S 2/1994 Keller
 D346,915 S 5/1994 Roser, Jr.
 D347,127 S * 5/1994 Ball D6/671.4
 D350,656 S 9/1994 Ferguson
 D371,257 S 7/1996 Paus
 D373,033 S 8/1996 Rosebrock
 D374,569 S 10/1996 Paus
 D374,570 S 10/1996 Keller et al.
 D374,783 S 10/1996 Keller et al.
 D383,330 S 9/1997 Lowery
 D384,518 S 10/1997 Bergelin
 D384,521 S 10/1997 Bergelin
 D387,568 S 12/1997 Walters, III et al.
 D387,580 S 12/1997 Walters et al.
 D387,925 S 12/1997 Keller et al.
 D389,655 S * 1/1998 Walters, III D6/671.1
 D400,733 S 11/1998 O'Hare
 D404,223 S 1/1999 Bargagli-Stoffi
 D406,202 S 3/1999 Zaidman
 D409,844 S 5/1999 Cain
 D411,050 S 6/1999 Keller et al.
 D412,413 S 8/1999 Keller et al.
 D418,328 S 1/2000 O'Hare
 D419,796 S 2/2000 O'Hare
 D424,831 S 5/2000 O'Hare
 D425,329 S 5/2000 O'Hare
 D431,393 S 10/2000 Walters et al.
 D437,150 S 2/2001 Cain
 D437,503 S 2/2001 Ungaro
 D443,438 S 6/2001 O'Hare et al.
 D447,887 S 9/2001 O'Hare et al.
 D448,205 S 9/2001 O'Hare et al.
 D450,202 S 11/2001 McDaniel et al.
 D450,203 S 11/2001 Vaaler
 D450,475 S 11/2001 Vaaler
 D451,700 S 12/2001 Vaaler
 D454,729 S 3/2002 Vaaler
 D455,275 S 4/2002 Vaaler
 D459,111 S 6/2002 Tobin, Jr.
 D459,615 S 7/2002 Stanton
 D467,095 S 12/2002 Vaaler
 D468,930 S 1/2003 Berry, Jr. et al.

D469,626 S 2/2003 Vaaler
 D469,627 S 2/2003 Stanton
 D469,631 S 2/2003 Vaaler
 D469,982 S 2/2003 Warren et al.
 D469,984 S 2/2003 O'Hare
 D470,686 S 2/2003 O'Hare
 D472,733 S 4/2003 McDaniel et al.
 D473,400 S 4/2003 O'Hare
 D474,054 S 5/2003 Warren et al.
 D474,922 S 5/2003 Vaaler
 D475,868 S 6/2003 Vaaler
 D476,505 S 7/2003 Lenger
 D477,725 S 7/2003 McDaniel et al.
 D480,236 S 10/2003 Schmitt
 D480,896 S 10/2003 Paus
 D480,898 S 10/2003 Schmitt
 D481,555 S 11/2003 Schmitt
 D482,901 S 12/2003 Stanton
 D483,574 S * 12/2003 Wanek D6/309
 D483,962 S 12/2003 Stanton
 D484,319 S 12/2003 Domack
 D485,079 S 1/2004 Warren et al.
 D487,200 S 3/2004 Wanek
 D487,201 S 3/2004 Schmitt
 D487,202 S 3/2004 Schmitt
 D487,548 S 3/2004 Schmitt
 D488,638 S 4/2004 Stanton
 D488,640 S 4/2004 Domack
 D488,936 S 4/2004 Schmitt
 D490,626 S 6/2004 Risdon et al.
 D502,337 S * 3/2005 Mohundro D6/671
 D504,036 S 4/2005 Risdon et al.
 D505,569 S 5/2005 Mohundro
 D508,795 S 8/2005 Mirchand
 D511,906 S 11/2005 Mohundro
 D513,673 S 1/2006 Domack et al.
 D513,886 S 1/2006 Mohundro
 D514,823 S 2/2006 Domack et al.
 D516,343 S 3/2006 Domack et al.
 D518,311 S 4/2006 Domack et al.
 D519,286 S 4/2006 Domack et al.
 D524,060 S 7/2006 Schmitt
 D524,554 S 7/2006 Schmitt
 D524,556 S 7/2006 Schmitt
 D525,037 S 7/2006 Schmitt
 D525,038 S 7/2006 Schmitt
 D525,048 S 7/2006 Mohundro
 D525,438 S 7/2006 Schmitt
 D526,130 S 8/2006 Mohundro
 D526,142 S 8/2006 Schmitt
 D526,510 S 8/2006 Schmitt
 D526,793 S 8/2006 Schmitt
 D527,203 S 8/2006 Schmitt
 D527,206 S 8/2006 Domack et al.
 D527,547 S 9/2006 Domack et al.
 D528,325 S 9/2006 Schmitt
 D529,310 S 10/2006 Schmitt
 D530,116 S 10/2006 Schmitt
 D530,538 S 10/2006 Schmitt
 D530,539 S 10/2006 Schmitt
 D531,427 S 11/2006 Schmitt
 D532,214 S 11/2006 Schmitt
 D532,625 S 11/2006 Schmitt
 D532,997 S 12/2006 Schmitt
 D542,056 S 5/2007 Puente
 D547,568 S 7/2007 Mohundro
 D551,879 S 10/2007 Janke et al.
 D552,375 S 10/2007 Mohundro
 D554,393 S 11/2007 Yalif
 D555,934 S 11/2007 Thompson
 D556,472 S 12/2007 Janke et al.
 D557,037 S 12/2007 O'Hare et al.
 D560,916 S 2/2008 Schmitt
 D562,587 S 2/2008 Schmitt
 D562,597 S 2/2008 Weatherly
 D564,783 S 3/2008 Schmitt
 D564,784 S 3/2008 Schmitt
 D564,785 S 3/2008 Schmitt
 D568,633 S 5/2008 Domack et al.

(56)

References Cited

U.S. PATENT DOCUMENTS

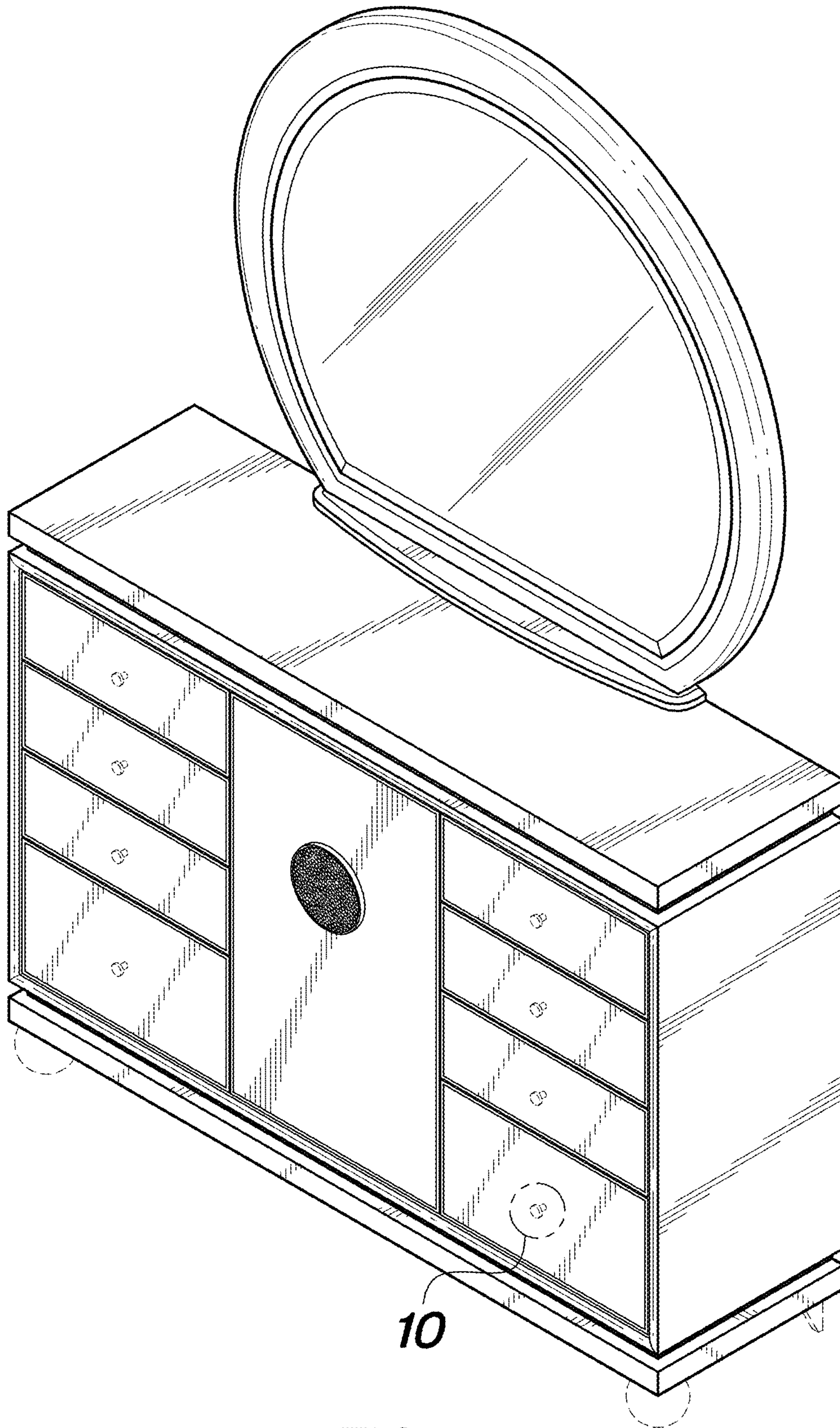
D577,208 S	9/2008	Thompson	
D579,214 S	10/2008	Hassett, Jr.	
D579,244 S	10/2008	Hassell, Jr.	
D583,570 S	12/2008	Mohundro	
D586,581 S	2/2009	Schmitt	
D587,932 S	3/2009	Domack et al.	
D588,836 S	3/2009	Everson et al.	
D591,021 S	4/2009	Peacock	
D593,774 S	6/2009	Schmitt	
D603,622 S	11/2009	Schmitt	
D637,014 S	5/2011	Schmitt	
D650,201 S	12/2011	Schmitt	
D655,942 S	3/2012	Schmitt	
D655,943 S	3/2012	Schmitt	
D663,549 S	7/2012	Domack et al.	
D666,438 S	9/2012	Cressman	
D668,079 S	10/2012	Domack et al.	
D668,887 S	10/2012	Schmitt	
D692,698 S	11/2013	Schmitt	
D692,699 S	11/2013	Schmitt	
D699,484 S	2/2014	James	
D772,613 S	11/2016	Liu	
D799,860 S	* 10/2017	Schmitt	D6/663
D803,603 S	* 11/2017	Schmitt	D6/664.1

OTHER PUBLICATIONS

Thomasville Catalog, Replicas 1662 Triple Dresser and Mirror, p. 2, 1983.

America's Oak Furniture, Schiffer, 1988, Low Chest with Mirror, p. 90.
 Golden Oak Furniture, Warren, 1992, Dresser with Mirror, p. 140.
 Furniture Today, Genoa Collection Dresser with Mirror, p. 14, Oct. 11, 1999.
 Thomasville, Palais Jardin Mirror Dresser and Door Chest, p. 12, 2002.
 Furniture Today, Source Mktg. Group Mirror Dresser and Sumter Cabinet, p. 192, Oct. 14, 2002.
 Furniture Today, Union City Imports China Hutch, p. 158, Oct. 19, 1998.
 Furniture Today, AICO China Hutch, p. 15, Oct. 16, 2000.
 Furniture Today, Broyhill China Hutch, p. 11, Apr. 16, 2001.
 Furniture Today, Marge Carson Wall Unit, p. 126, Oct. 11, 1999.
 Furniture Today, Pulaski Armoire, p. 33, Apr. 15, 2002.
 Amini Innovation Corp. Monte Carlo Collection, #53000 Series, 2001, 2 pages.
 Amini Innovation Corp. La Francaise Collection, #50000 Series, Sep. 11, 2002, 5 pages.
 Amini Innovation Corp. Royal Oak Collection #31000 Series, Sep. 11, 2002, 1 page.
 Amini Innovation Corp. Torino Collection, #56000 Series, Apr. 18, 2002, 1 page.
 Amini Innovation Corp. Paradisio Collection #52000 Series, 2003, 1 page.
 Amin Innovation Corp. Trevi Collection, Sep. 20, 2004, 2 pages.
 USA Pilliod Furniture, Inc., Mar. 20, 2013, 1 page.

* cited by examiner



10

FIG. 1

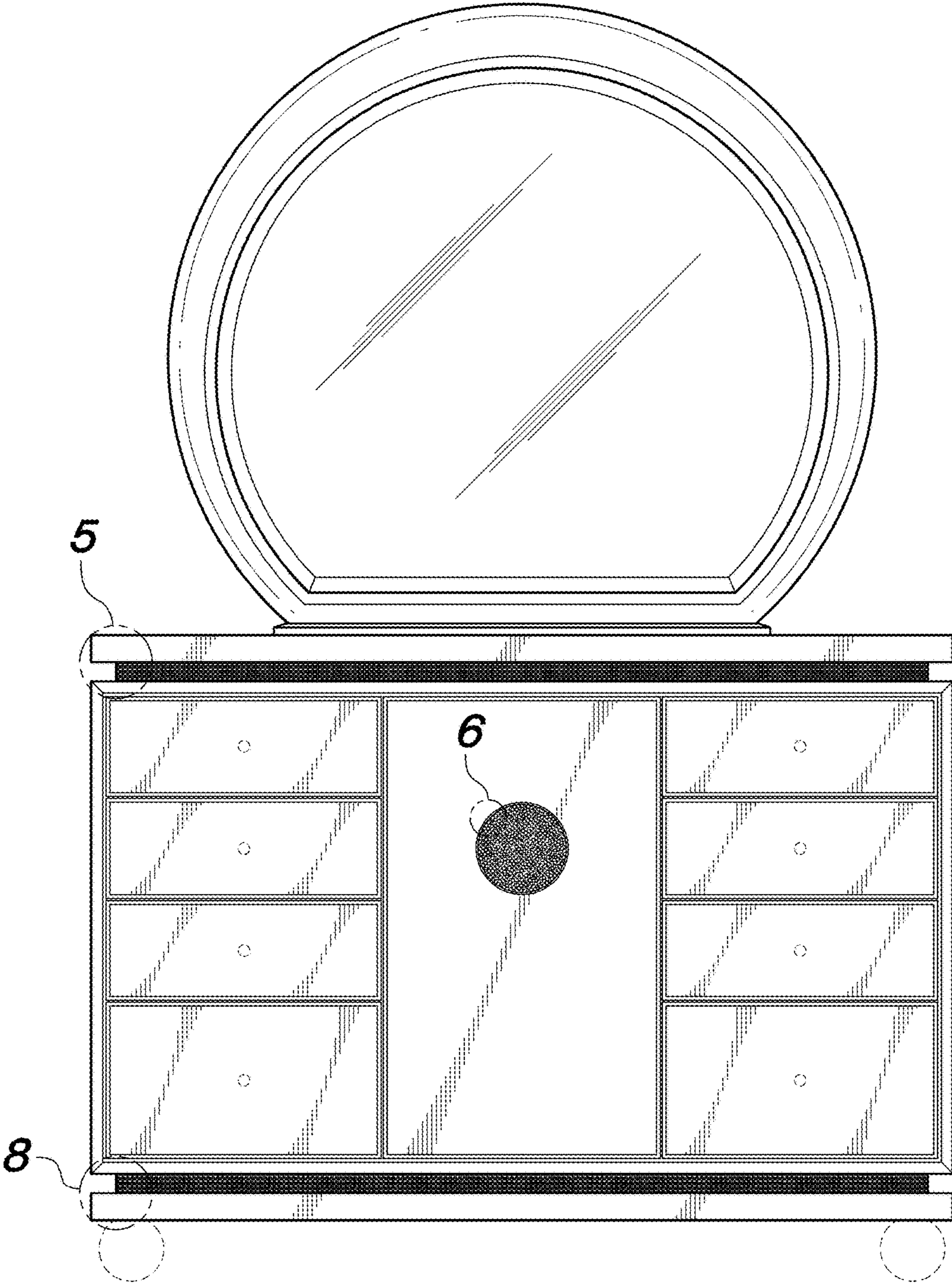


FIG. 2

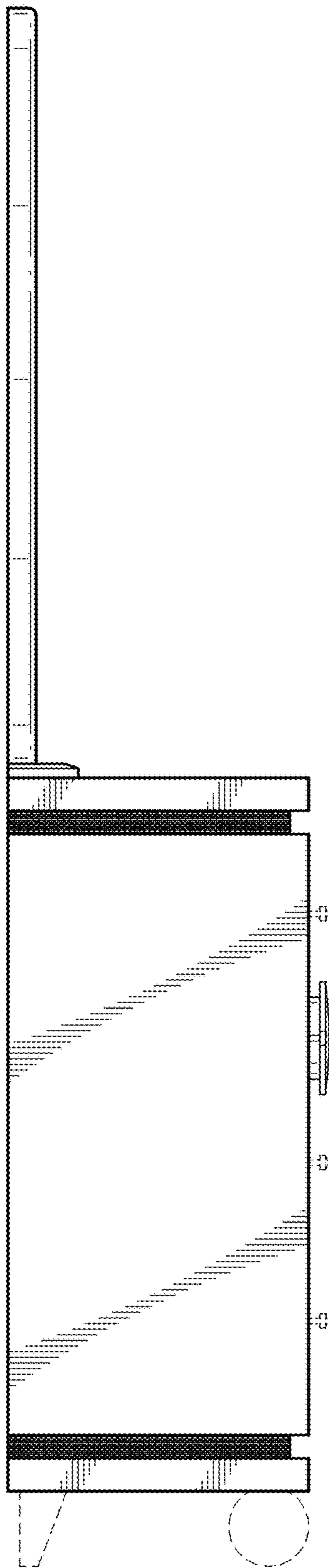


FIG. 3

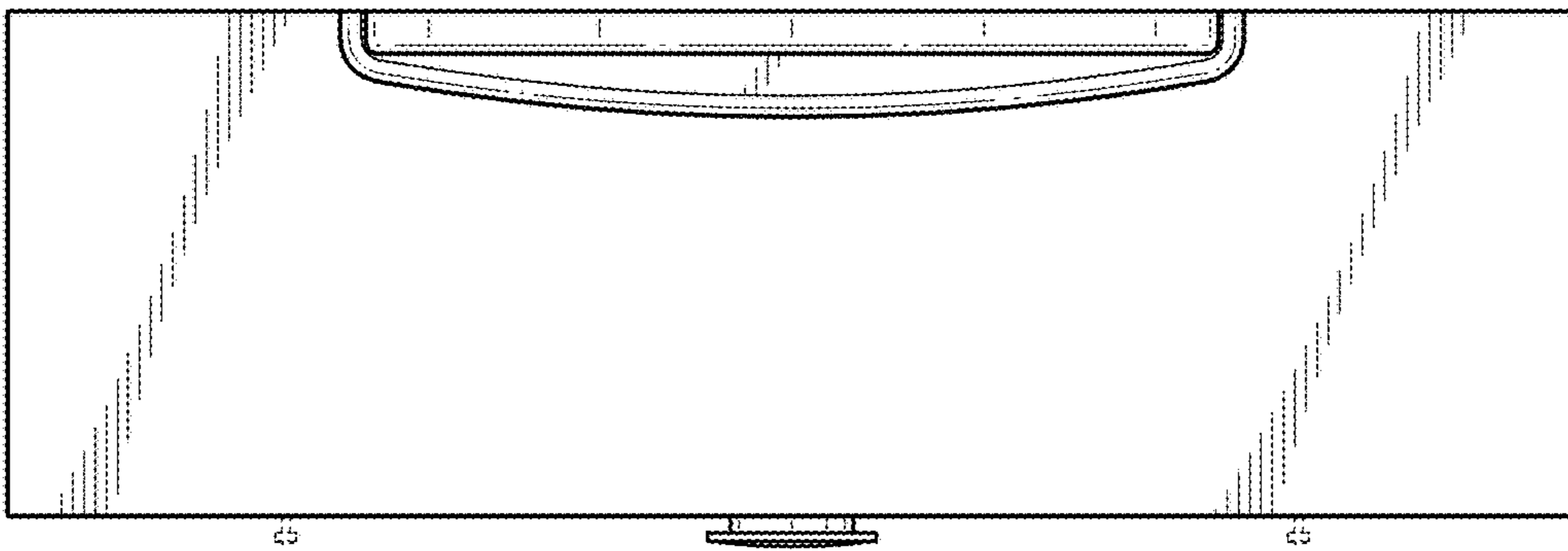


FIG. 4

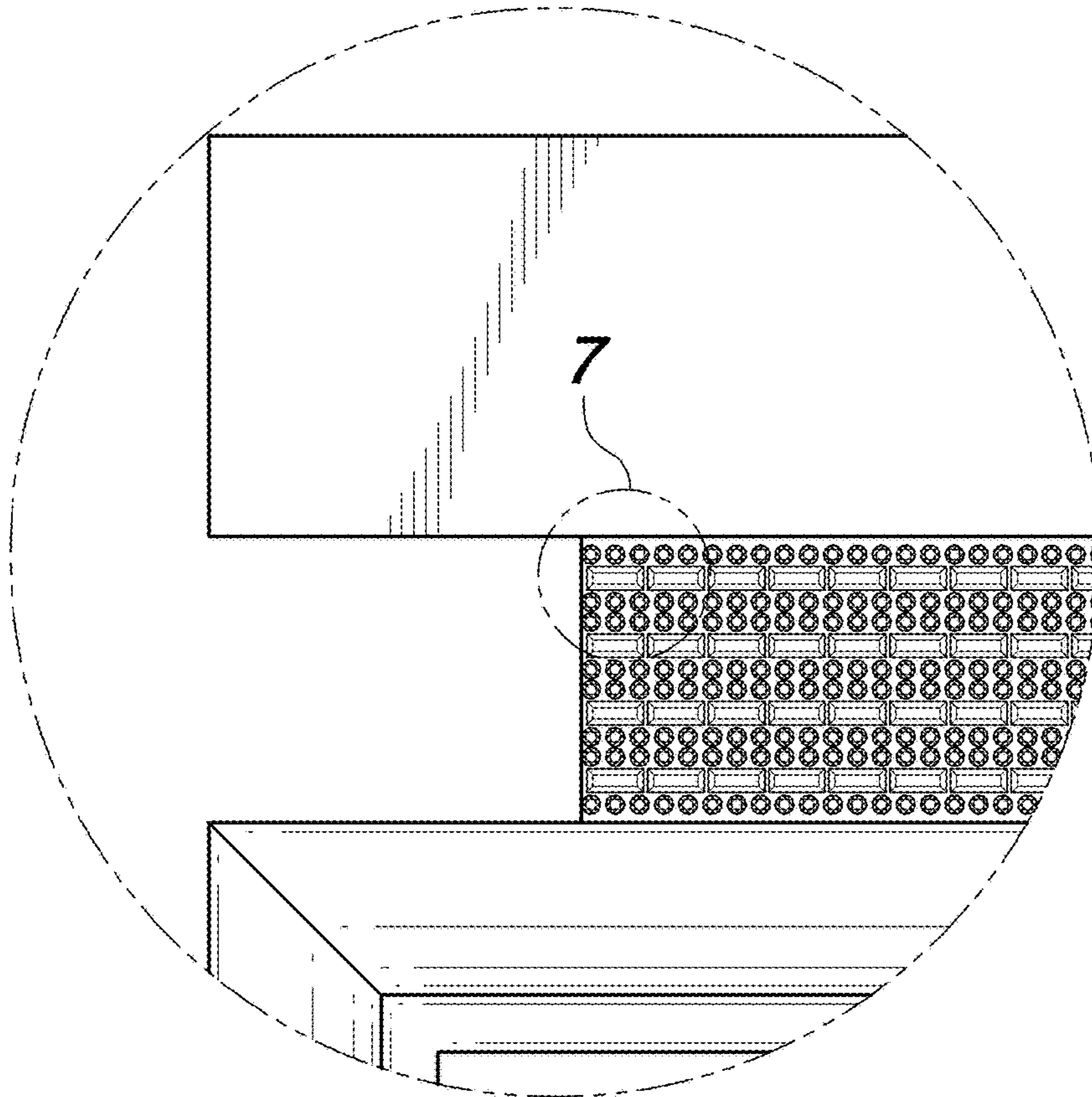


FIG. 5

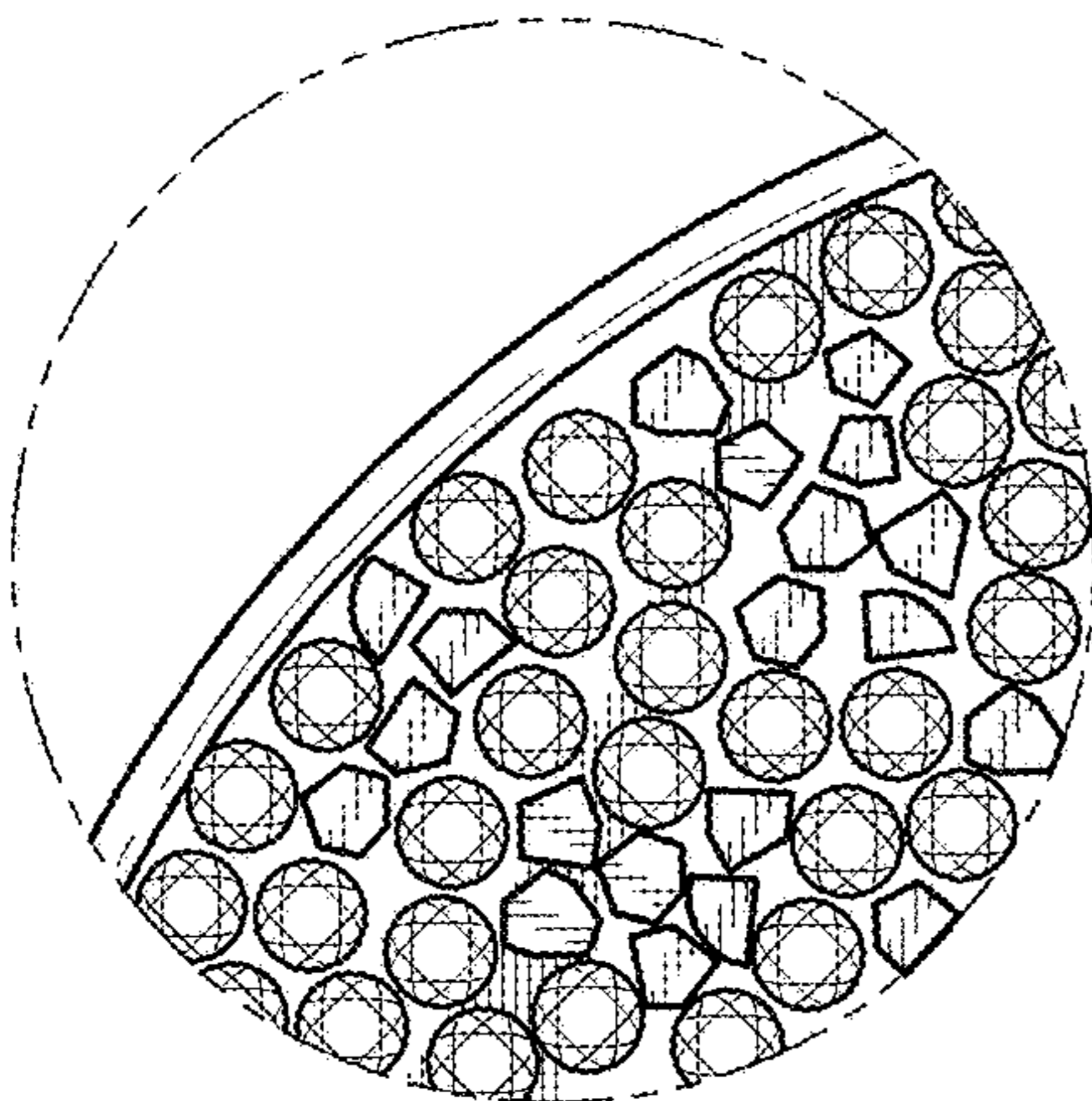


FIG. 6

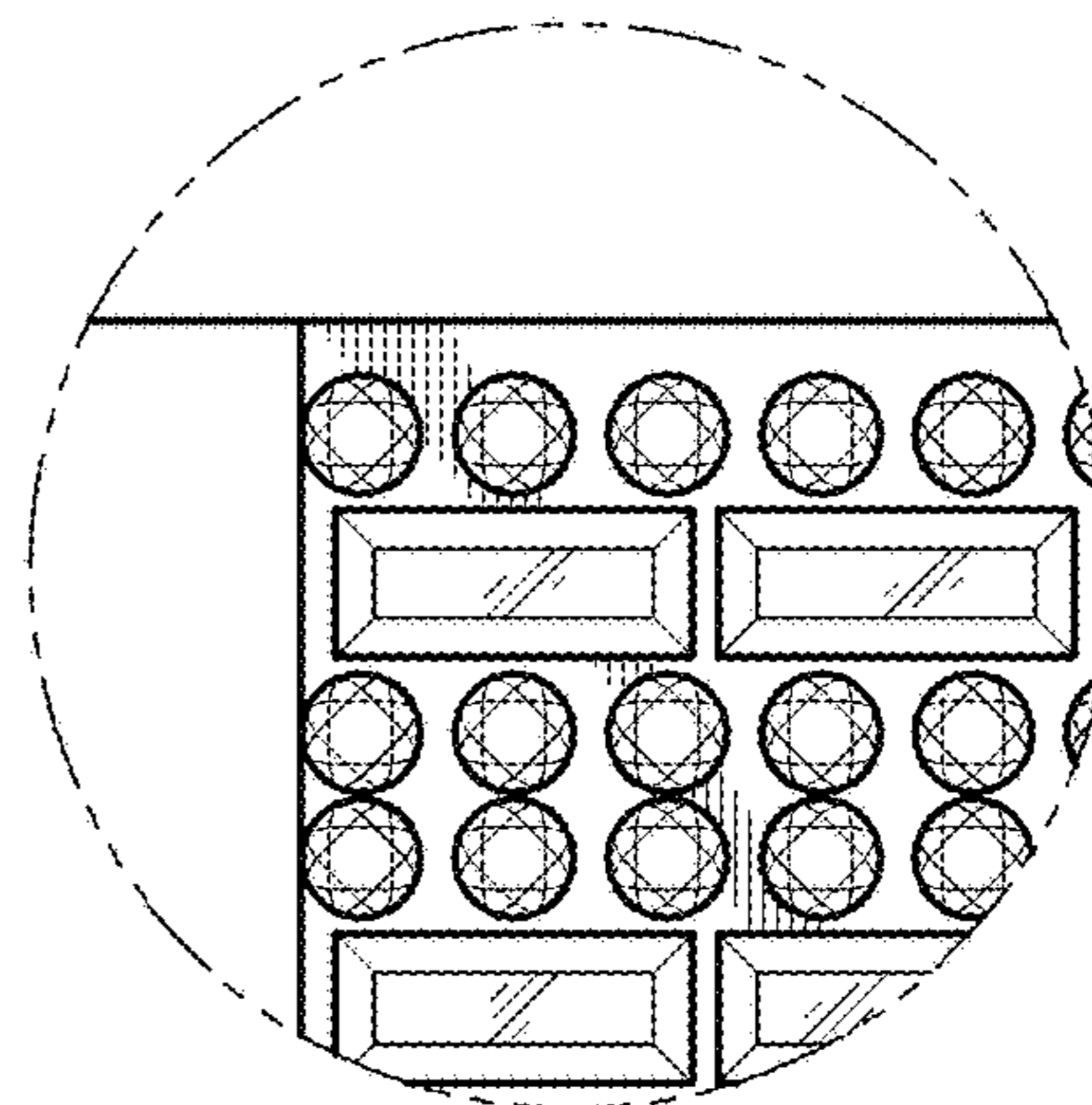


FIG. 7

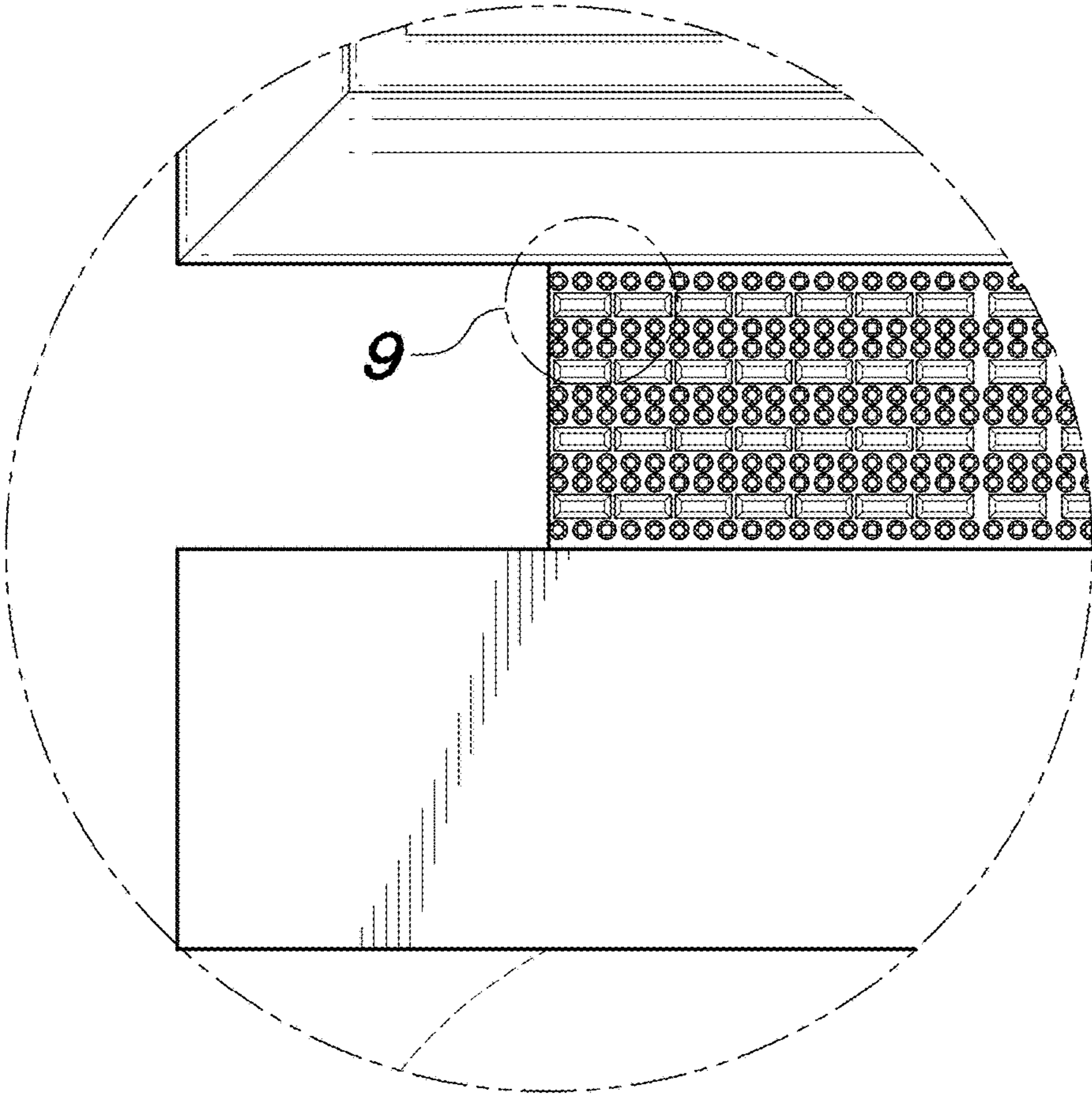


FIG. 8

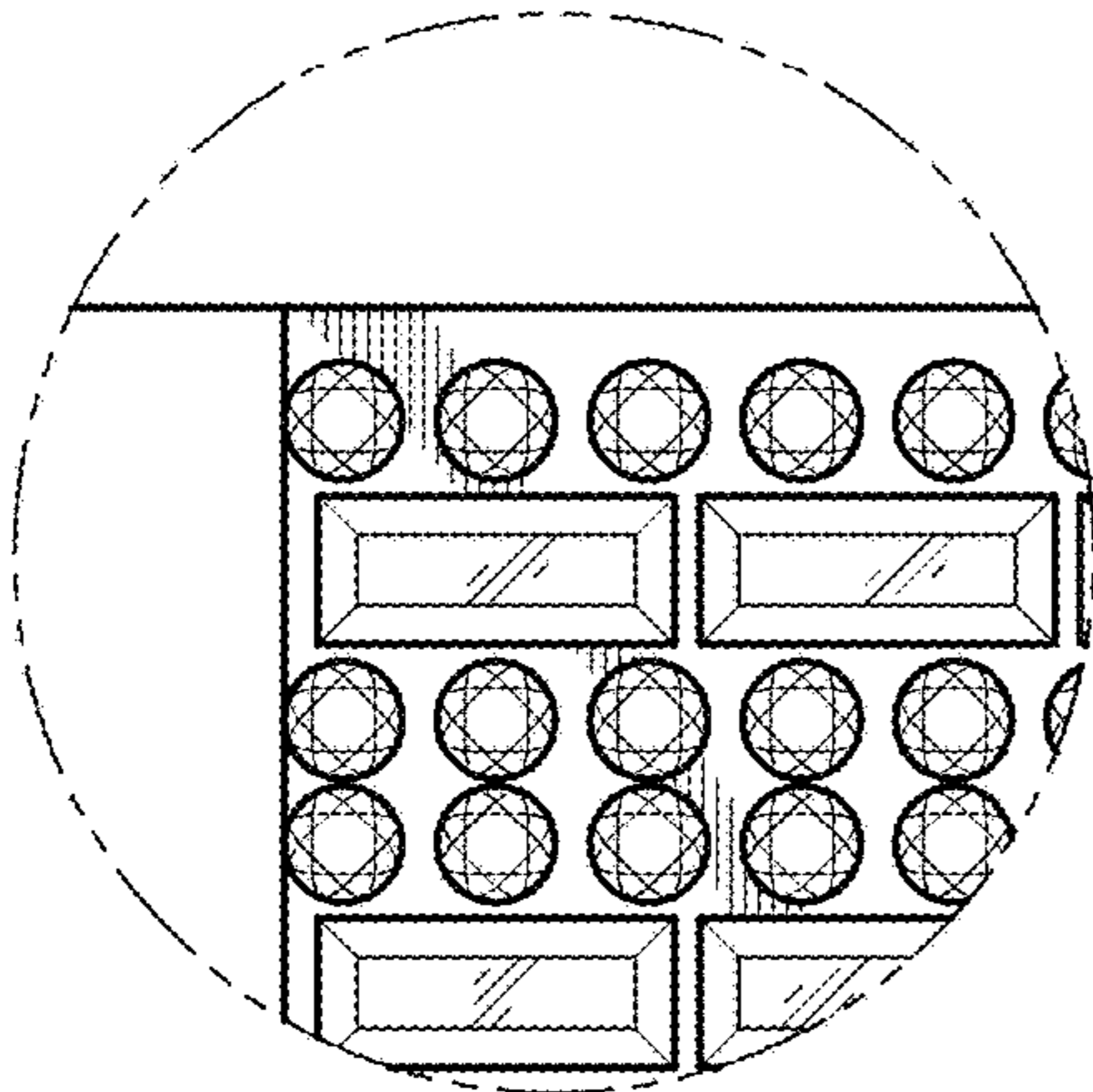


FIG. 9

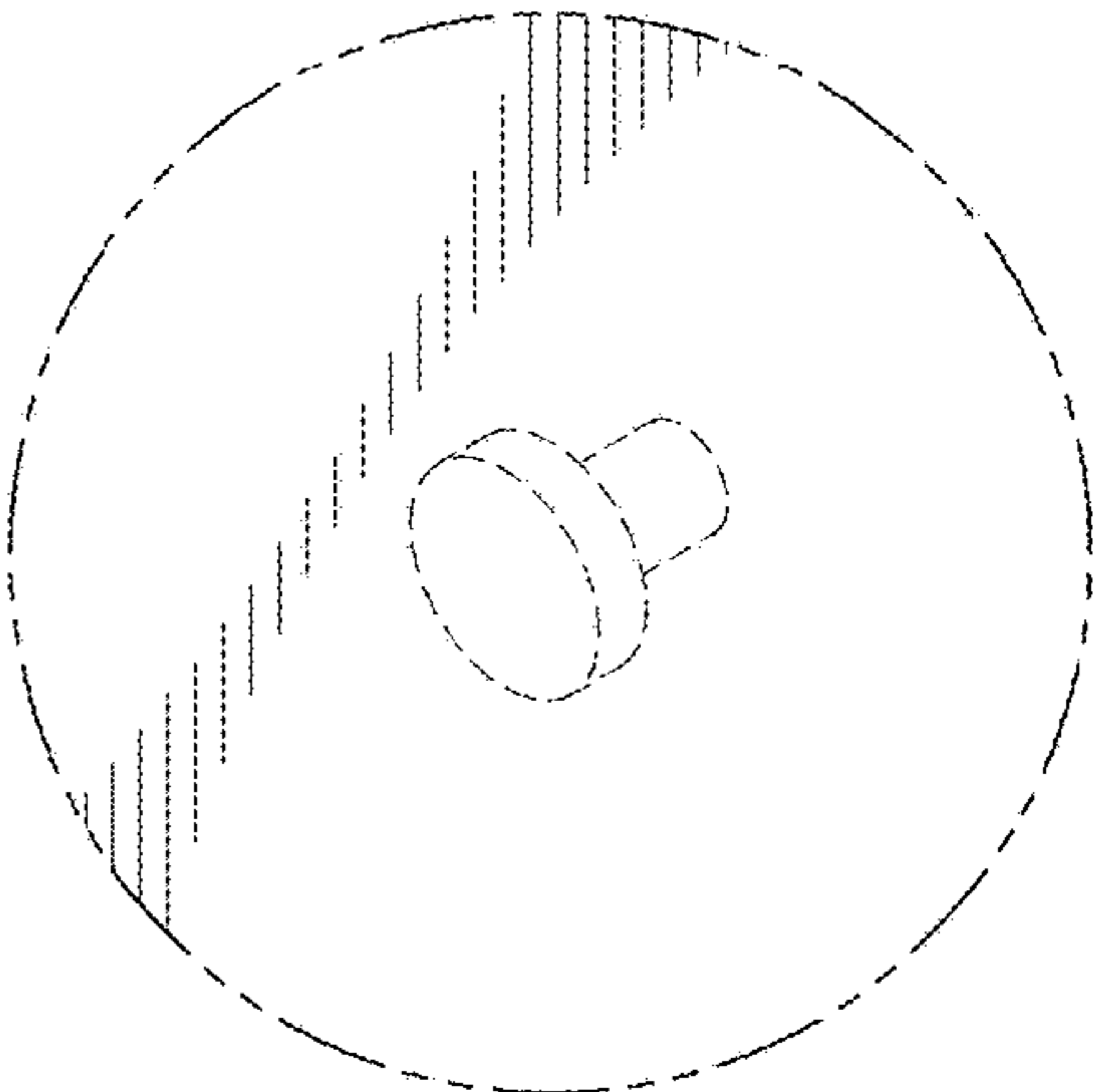


FIG. 10