



US00D860687S

(12) **United States Design Patent** (10) **Patent No.:** **US D860,687 S**  
**Parikh** (45) **Date of Patent:** **\*\* Sep. 24, 2019**

- (54) **DESK**
- (71) Applicant: **Williams-Sonoma, Inc.**, San Francisco, CA (US)
- (72) Inventor: **Andrea Parikh**, Brooklyn, NY (US)
- (73) Assignee: **Williams-Sonoma, Inc.**, San Francisco, CA (US)
- (\*\*) Term: **15 Years**
- (21) Appl. No.: **29/635,264**
- (22) Filed: **Jan. 30, 2018**
- (51) **LOC (12) Cl.** ..... **06-03**
- (52) **U.S. Cl.**  
USPC ..... **D6/655.1; D6/691.6**
- (58) **Field of Classification Search**  
USPC ..... D6/641, 655, 655.1, 655.11, 655.17, D6/655.18, 685, 686, 690, 691, D6/691.1-691.9, 694  
CPC ..... A47B 7/00; A47B 13/00; A47B 13/02; A47B 13/04; A47B 13/08; A47B 13/12; A47B 21/00; A47B 2200/0001; A47B 2200/0011; A47B 2200/0012; A47B 2200/0013; A47B 2200/002  
See application file for complete search history.

- D745,690 S \* 12/2015 Devenish ..... D24/189
- D774,336 S \* 12/2016 Pomputius ..... D6/703.3
- D812,935 S \* 3/2018 Hannoosh ..... D6/671.1
- D813,573 S \* 3/2018 Hannoosh ..... D6/671
- D817,665 S \* 5/2018 Nielsen ..... D6/655.21
- D851,964 S \* 6/2019 Davis ..... D6/655.11

**OTHER PUBLICATIONS**

Honeycomb Desk Natural/White—Froy.com <https://froy.com/collections/console-tables/products/honeycomb-desk-natural-white> retrieved from the internet on Jul. 12, 2019.\*  
 Natasha Hexagon Gold Inlay Hairpin Wood Desk—Decorpad .com <https://www.decorpad.com/bookmark.htm?bookmarkId=64816> retrieved from the internet on Jul. 12, 2019.\*  
 Hexagonal Console Table 2 Drawer—Jaipur <http://jaipurfurniture.net/hexagonal-console-table-2-drawer.html> retrieved from the internet on Jul. 12, 2019.\*  
 Vintage Honeycomb Bone Inlay Console Table—Decoville <https://www.decoville.co.uk/vintage-honeycomb-bone-inlay-console-table-1722-p.asp> retrieved from the internet on Jul. 12, 2019.\*

\* cited by examiner

*Primary Examiner* — Mary Ann Calabrese  
 (74) *Attorney, Agent, or Firm* — Cook Alex Ltd.; R. Blake Johnston

(57) **CLAIM**

The ornamental design for a desk, as shown and described.

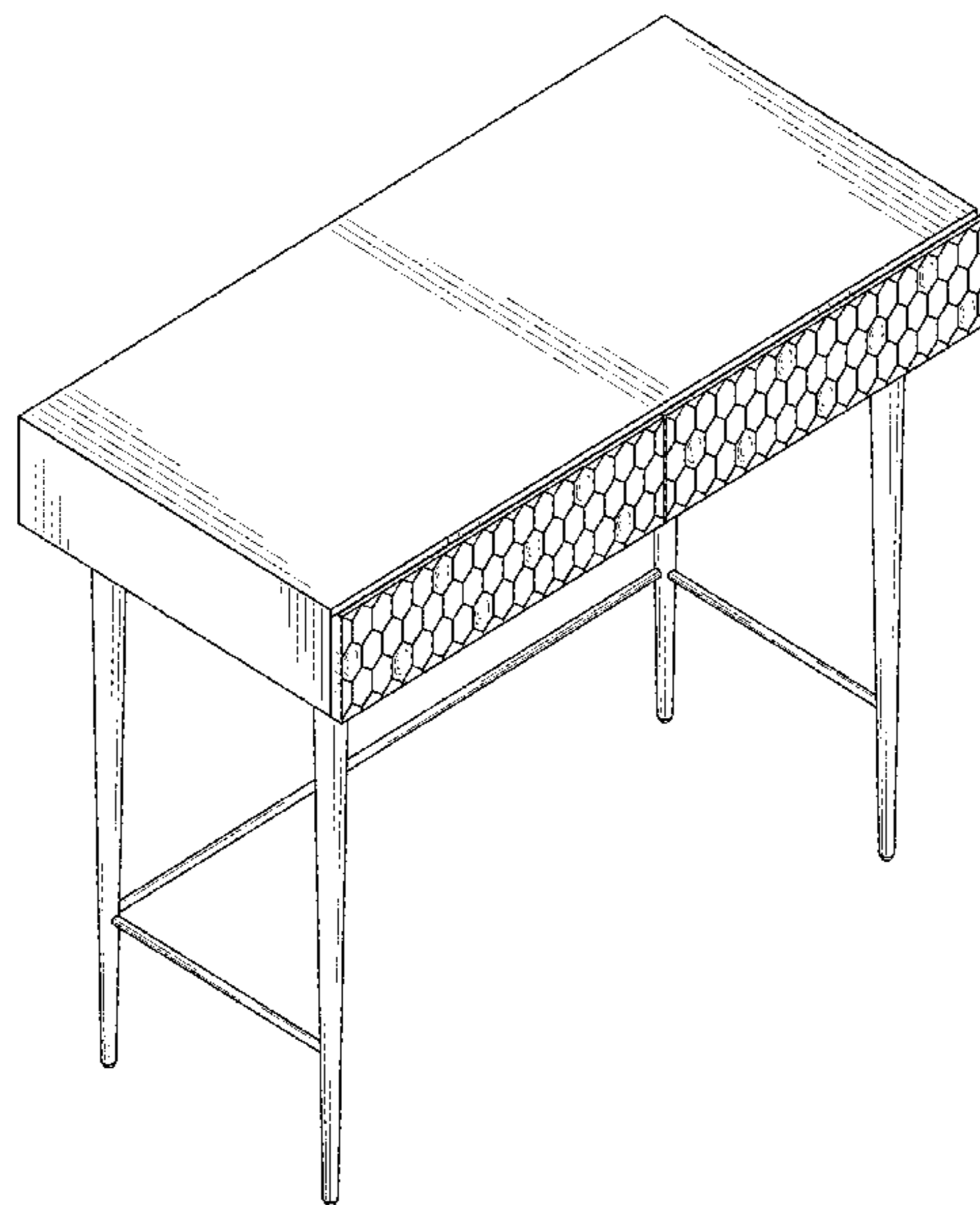
**DESCRIPTION**

FIG. 1 is a perspective view of the desk;  
 FIG. 2 is a front elevational view of the desk;  
 FIG. 3 is a rear elevational view of the desk;  
 FIG. 4 is a left side elevational view of the desk, the opposite side of which is a mirror image;  
 FIG. 5 is a top plan view of the desk; and,  
 FIG. 6 is a bottom plan view of the desk.

**1 Claim, 5 Drawing Sheets**

(56) **References Cited**  
 U.S. PATENT DOCUMENTS

- D155,976 S \* 11/1949 Dunham ..... D6/655
- D177,195 S \* 3/1956 Smith ..... D6/691.6
- D186,117 S \* 9/1959 Church ..... D6/671.1
- D209,404 S \* 11/1967 Pearlman ..... D6/686
- D382,354 S \* 8/1997 Engberg ..... D25/157
- D571,584 S \* 6/2008 Thompson ..... D6/702
- D721,908 S \* 2/2015 Hughes ..... D6/691.9



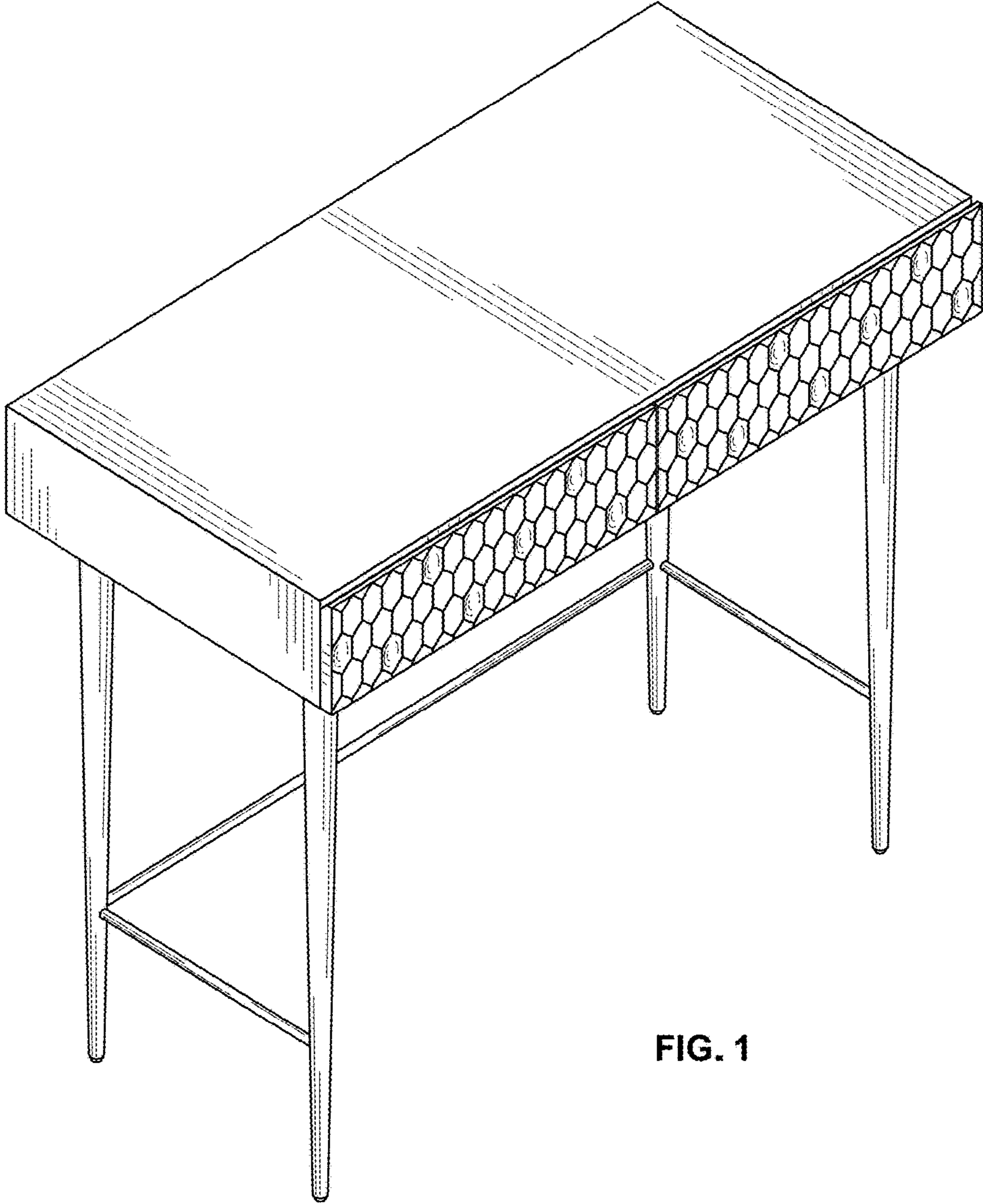


FIG. 1

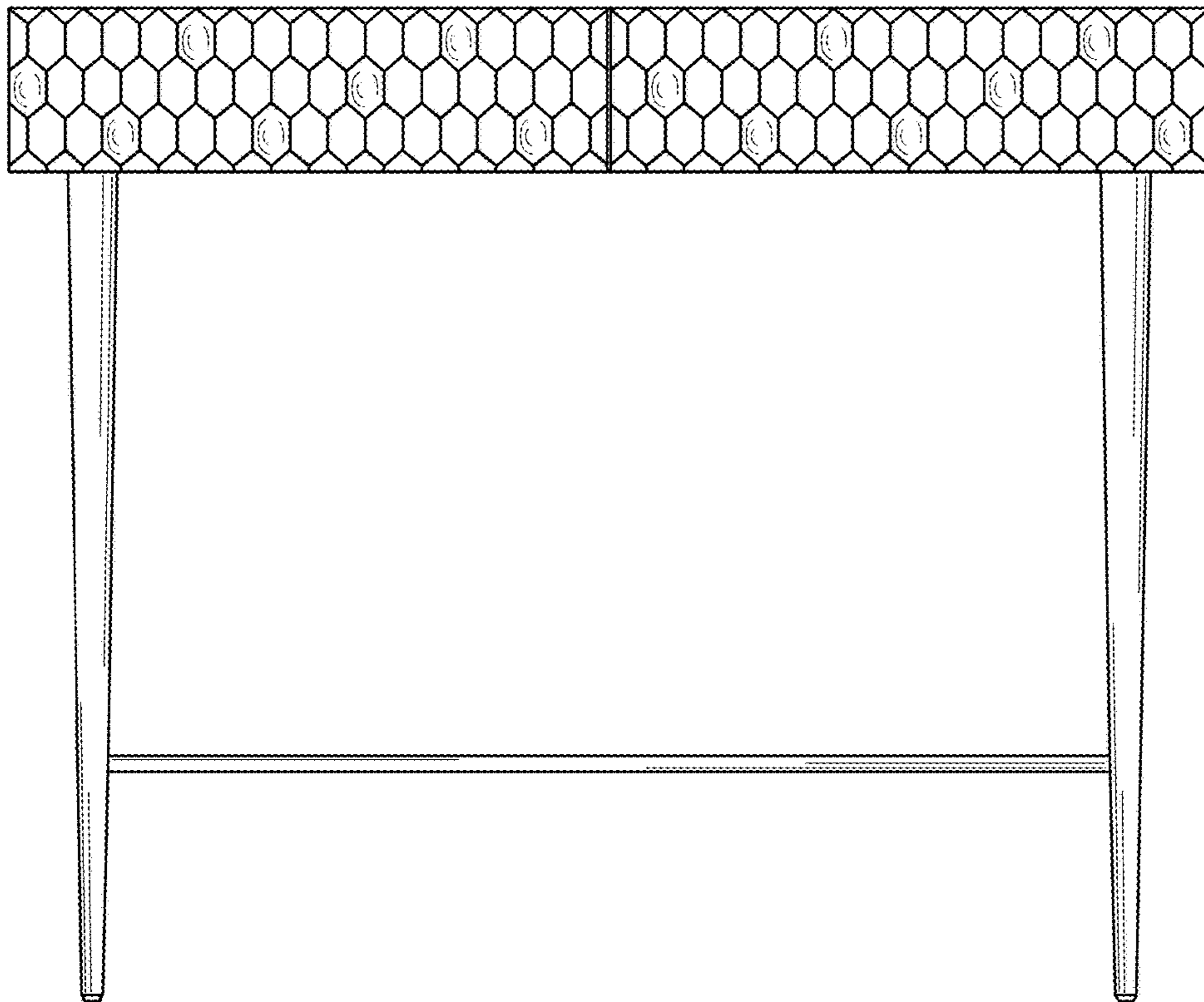


FIG. 2

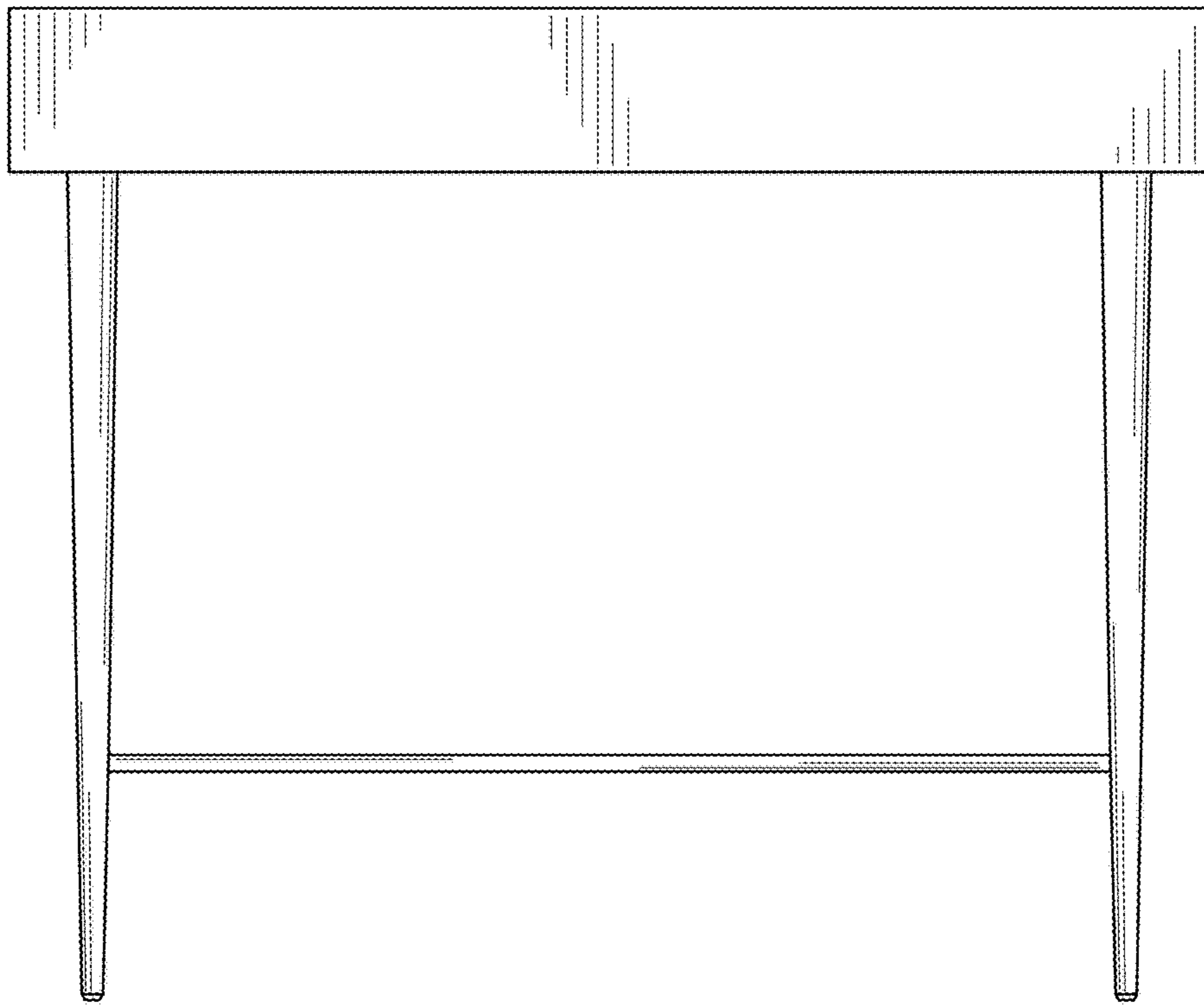


FIG. 3

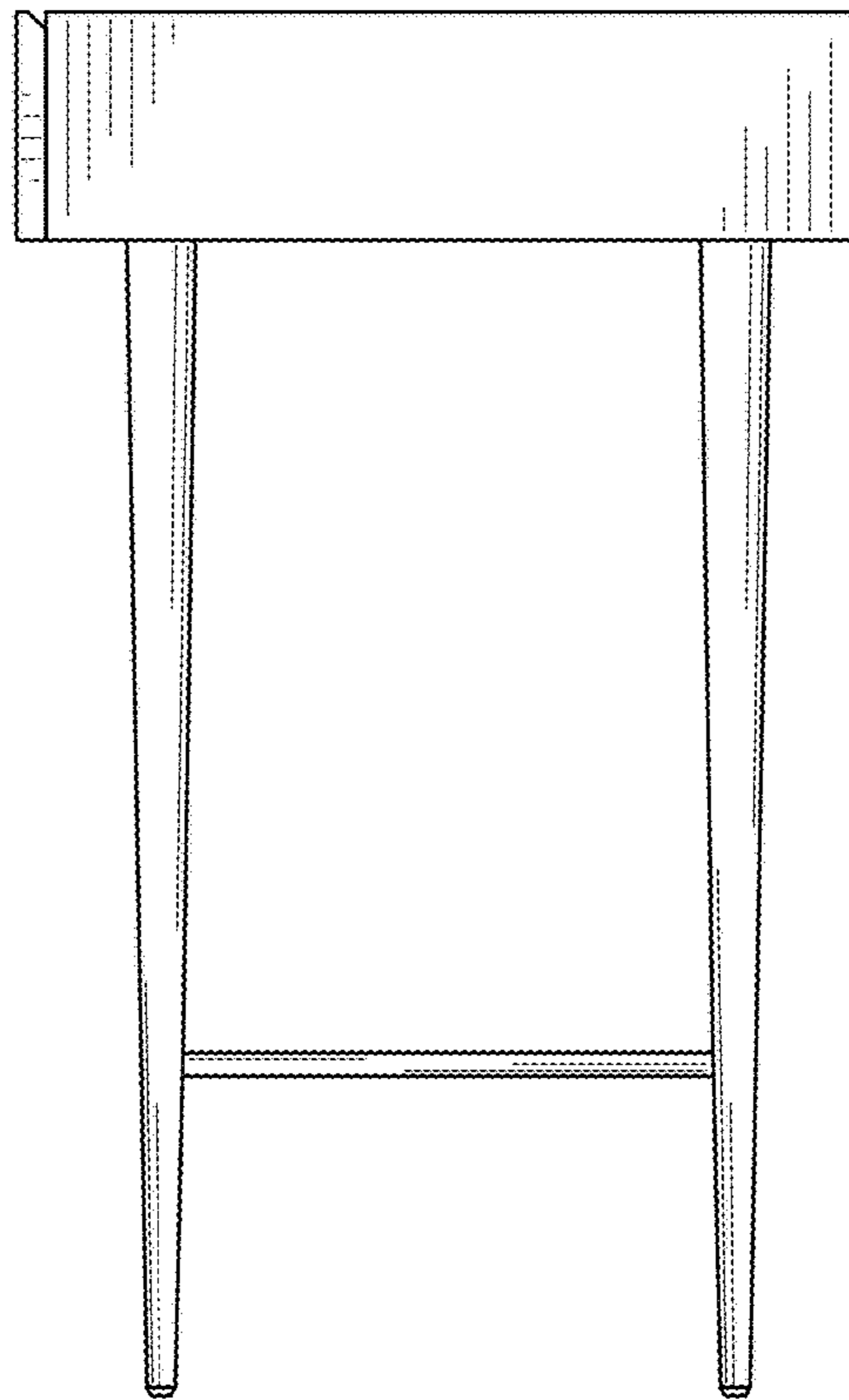


FIG. 4

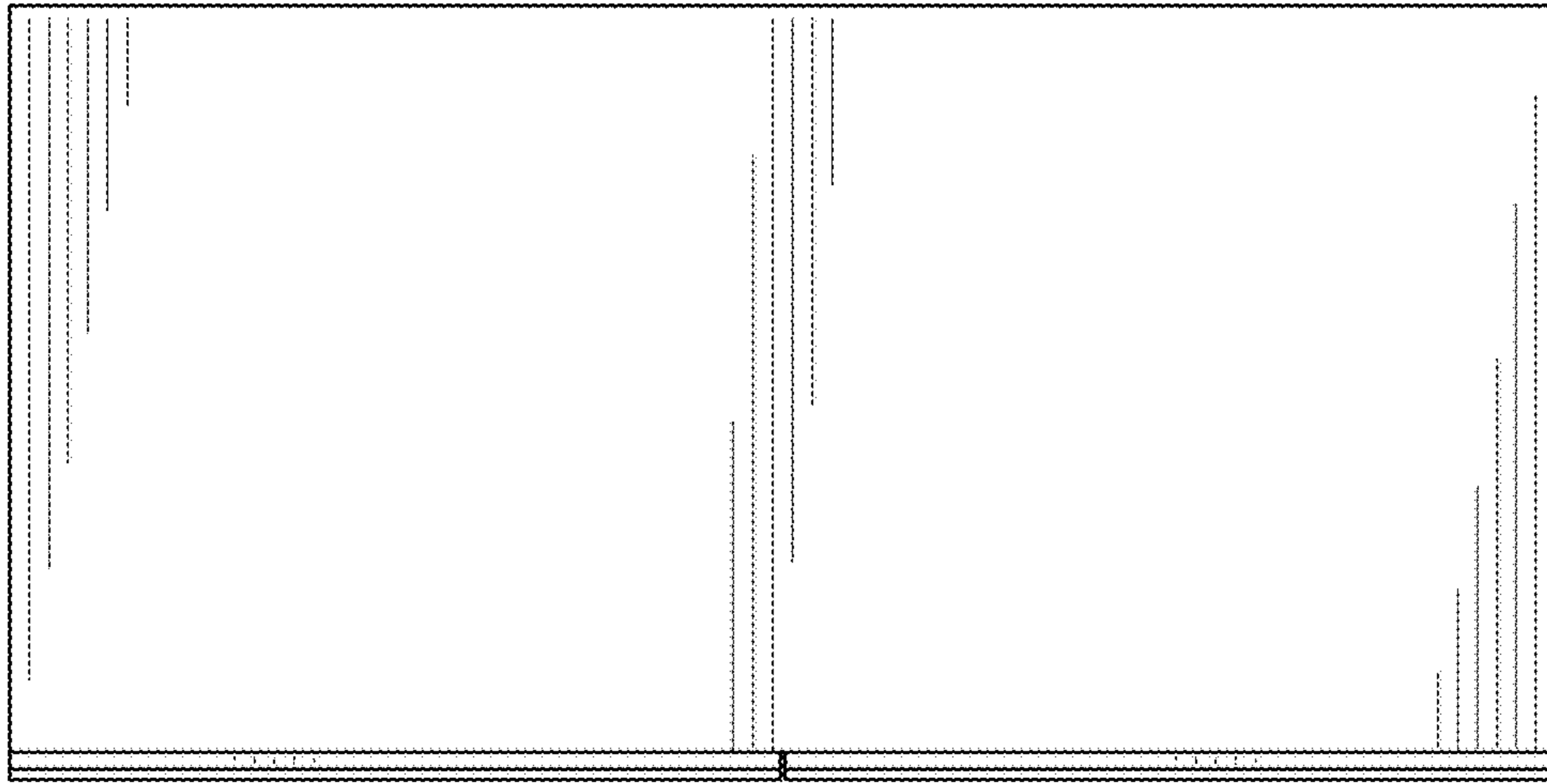


FIG. 5

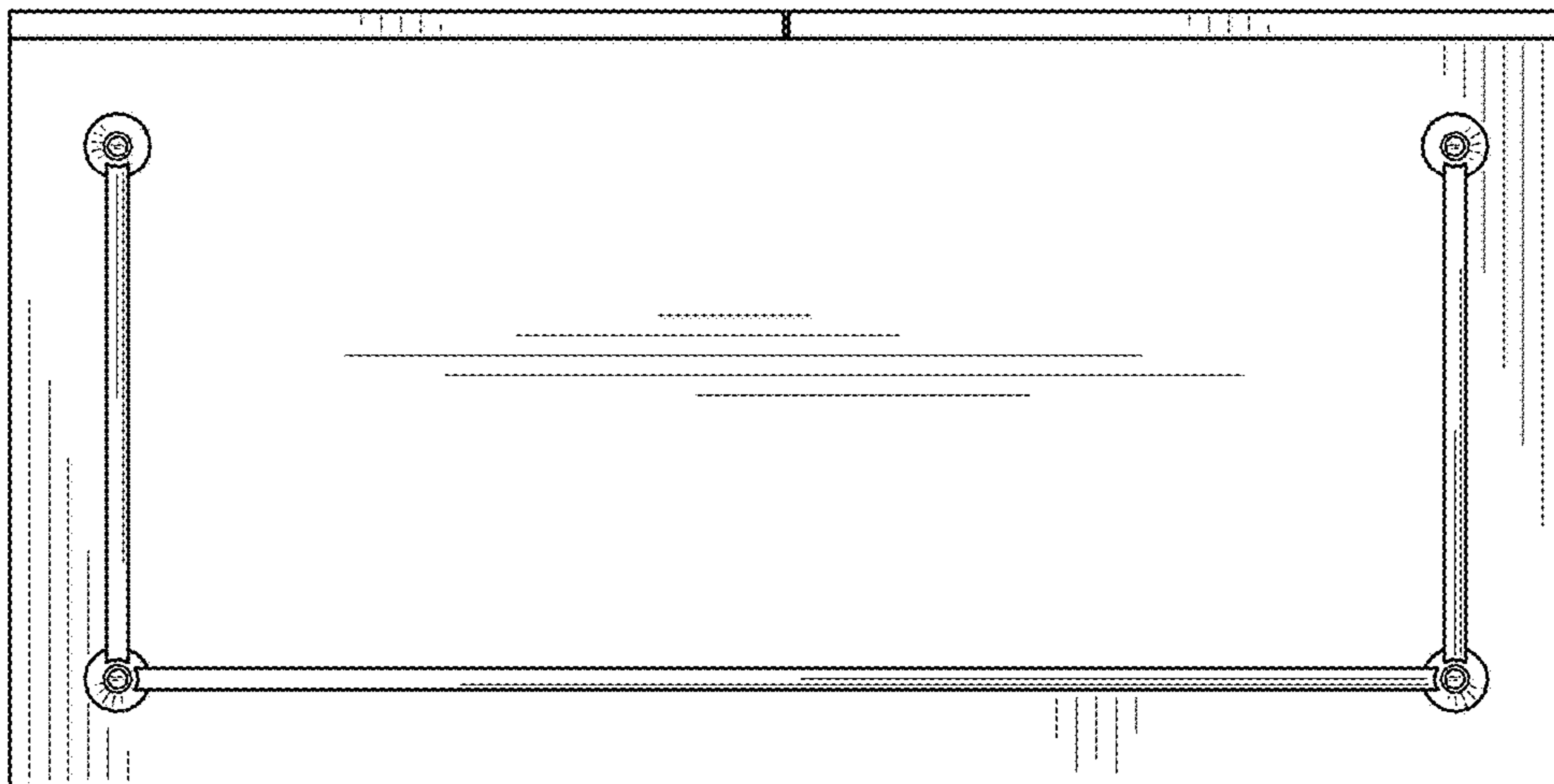


FIG. 6