

US00D860686S

(12) **United States Design Patent** (10) **Patent No.:** **US D860,686 S**
Lindberg et al. (45) **Date of Patent:** **** *Sep. 24, 2019**

(54) **OUTDOOR SEATING ARMREST COVER**

(71) Applicants: **Penny Lindberg**, Eloy, AZ (US);
Teresa Cronin, Eloy, AZ (US)

(72) Inventors: **Penny Lindberg**, Eloy, AZ (US);
Teresa Cronin, Eloy, AZ (US)

(*) Notice: This patent is subject to a terminal disclaimer.

(**) Term: **15 Years**

(21) Appl. No.: **29/545,017**

(22) Filed: **Nov. 9, 2015**

(51) **LOC (12) Cl.** **06-13**

(52) **U.S. Cl.**
USPC **D6/611**

(58) **Field of Classification Search**
USPC D6/595, 606, 611, 716.5, 716.2, 601;
297/227, 228.13, 411.26, 423.11;
(Continued)

(56) **References Cited**

U.S. PATENT DOCUMENTS

789,421 A * 5/1905 Grether A47L 1/09
15/144.1
830,103 A * 9/1906 Rundell E06C 7/006
182/230

(Continued)

FOREIGN PATENT DOCUMENTS

WO D088377-001 * 12/2015

OTHER PUBLICATIONS

NPL Ref. #1: Armrest Cushion, FoundFavorCrafts, posted at etsy.com, customer posts of purchases from Apr. 5, 2014 and prior, © 2016 Etsy, Inc. [online], [site visited Aug. 3, 2016]. Available from Internet, <URL: <https://www.etsy.com/shop/FoundFavorCrafts/reviews?ref=pagination&page=3>>.*

Primary Examiner — Lakiya G Rogers

Assistant Examiner — Altaira J Swangin

(74) *Attorney, Agent, or Firm* — Russ Weinzimmer & Associates, PC

(57) **CLAIM**

The ornamental design for an outdoor seating armrest cover, as shown and described.

DESCRIPTION

FIG. 1 is a perspective environmental view of an outdoor seating armrest cover attached to an arm rest of an outdoor chaise lounge chair;

FIG. 2 is a perspective view showing the top, front, and right sides of the outdoor seating armrest cover in an unattached state having front and rear pairs of attachment ties hanging downward from the bottom of the cushioning pad;

FIG. 3 is a front view of the outdoor seating armrest cover showing the front and rear pair of attachment ties hanging downward from the bottom of the cushioning pad;

FIG. 4 is a rear view of the outdoor seating armrest cover showing the front and rear pair of attachment ties hanging downward from the bottom of the cushioning pad;

FIG. 5 is a right side view of the outdoor seating armrest cover showing the front and rear pair of attachment ties hanging downward from the bottom of the cushioning pad;

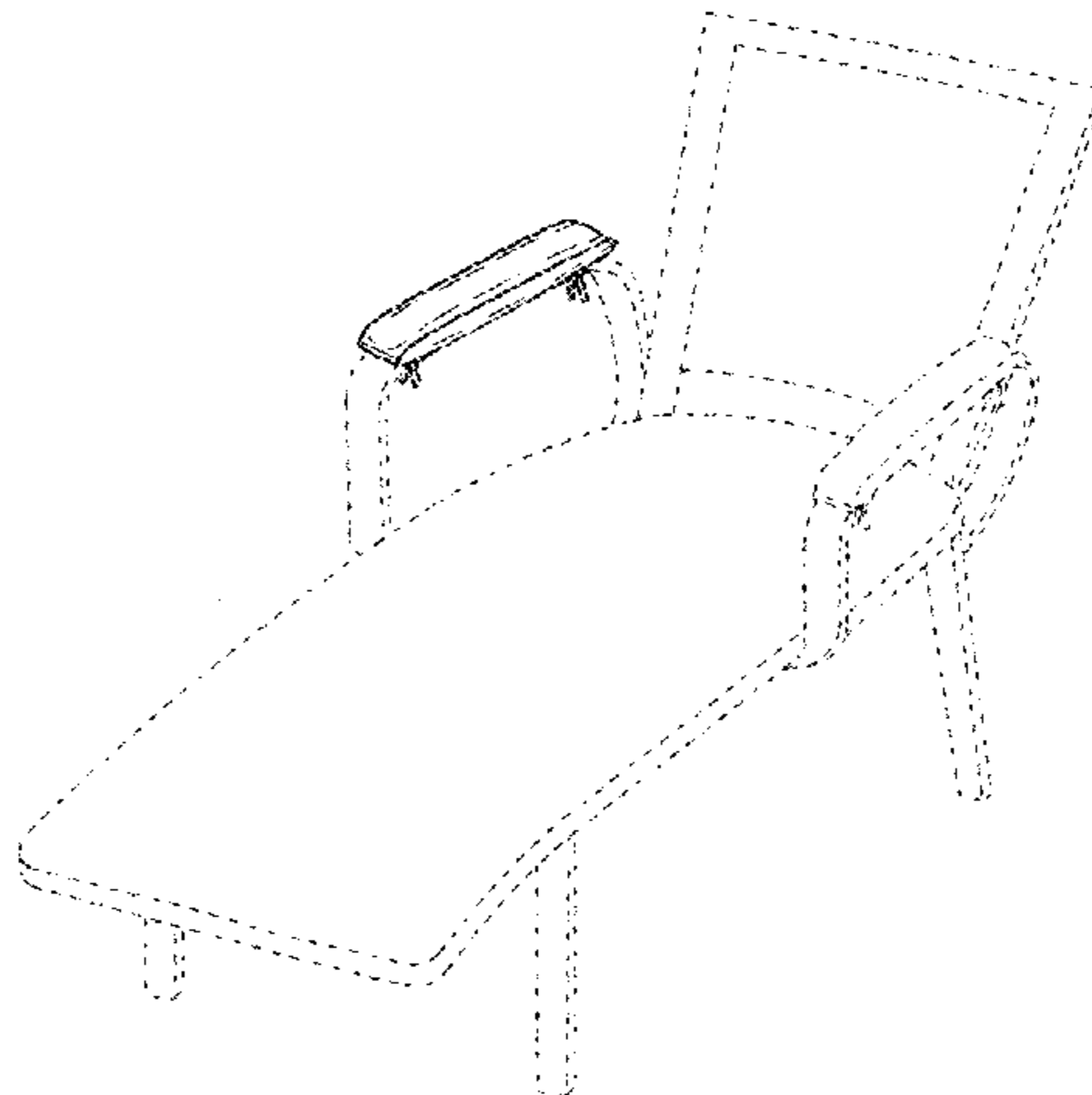
FIG. 6 is a left side view of the outdoor seating armrest cover showing the front and rear pair of attachment ties hanging downward from the bottom of the cushioning pad;

FIG. 7 is a top view of the outdoor seating armrest cover showing the front and rear pair of attachment ties hanging downward from the bottom of the cushioning pad; and,

FIG. 8 is a bottom view of the outdoor seating armrest cover showing the front and rear pair of attachment ties hanging downward from the bottom of the cushioning pad, and showing a non-slip pad bonded to the bottom of the cushioning pad.

The broken lines show environmental structure. The broken lines are unclaimed, and form no part of the claimed design.

1 Claim, 6 Drawing Sheets



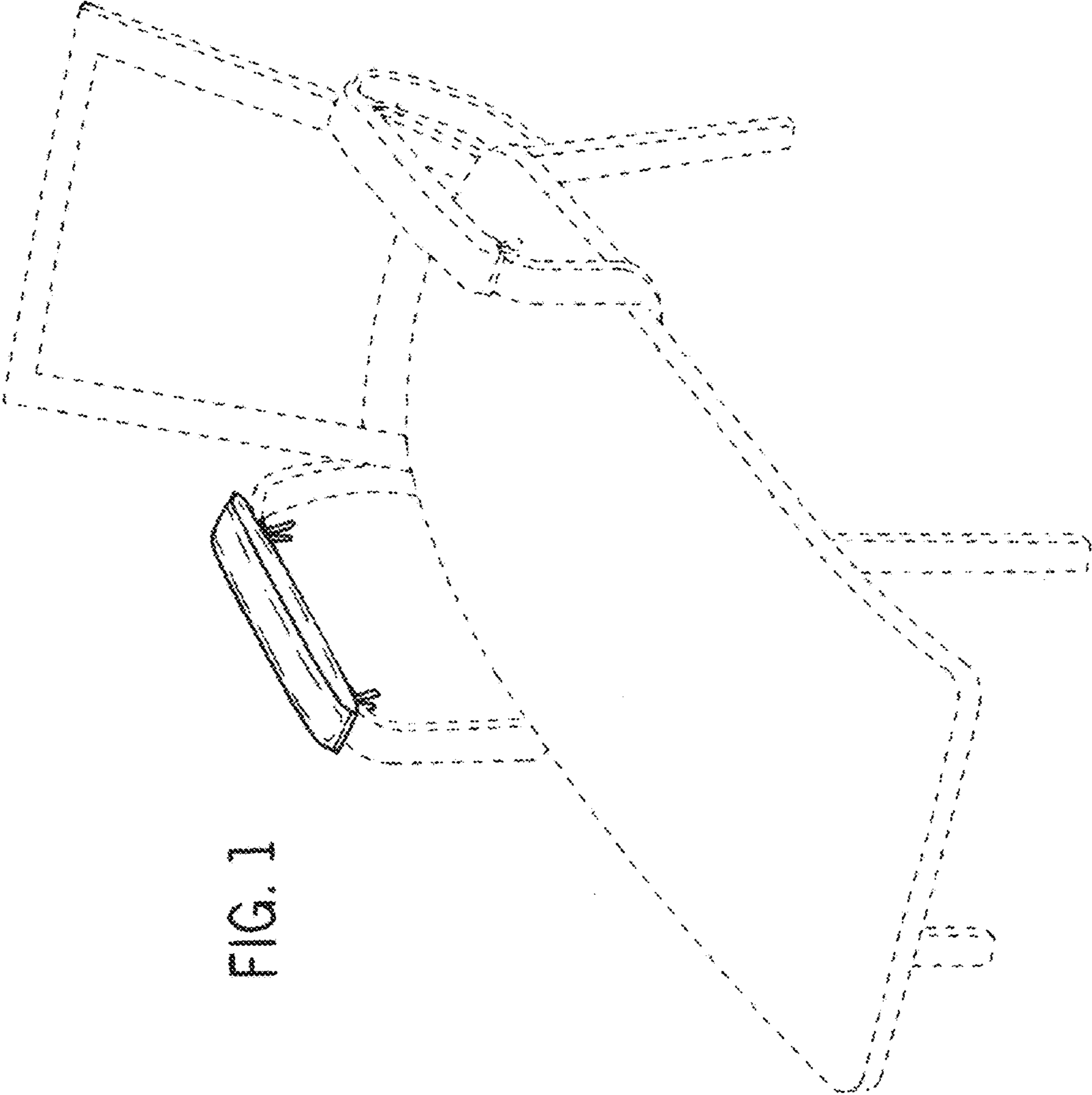


FIG. 1

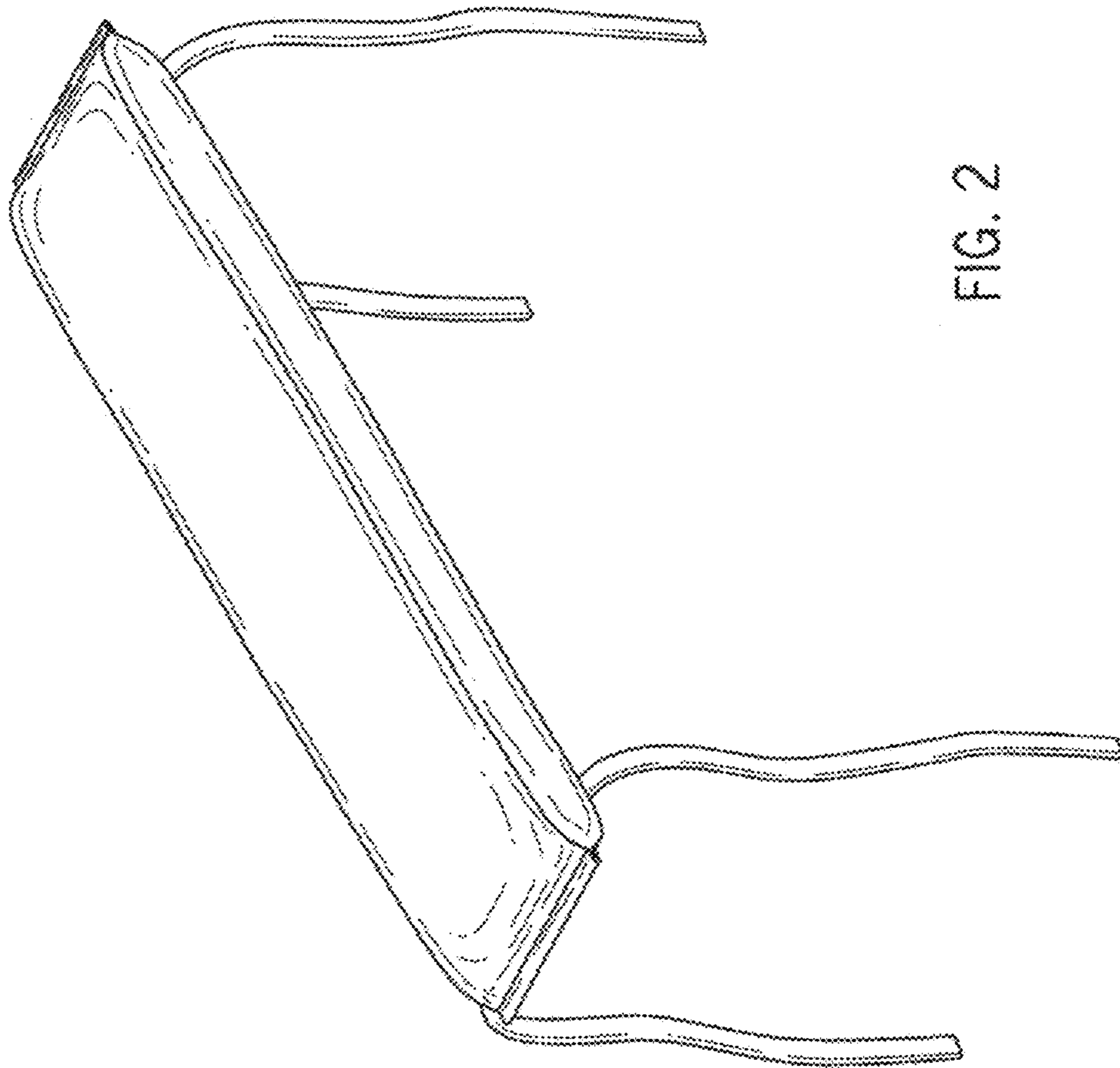


FIG. 2

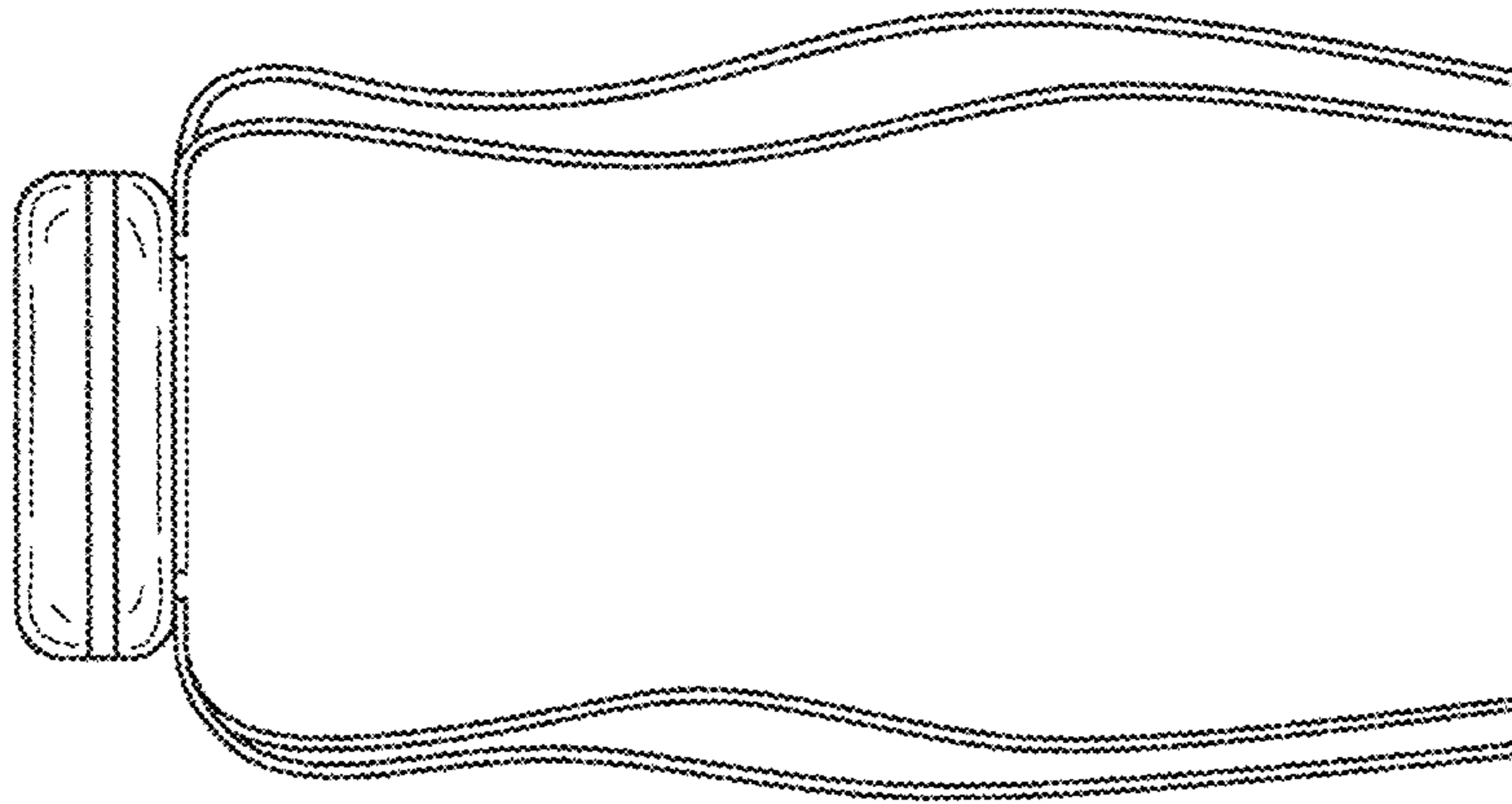


FIG. 4

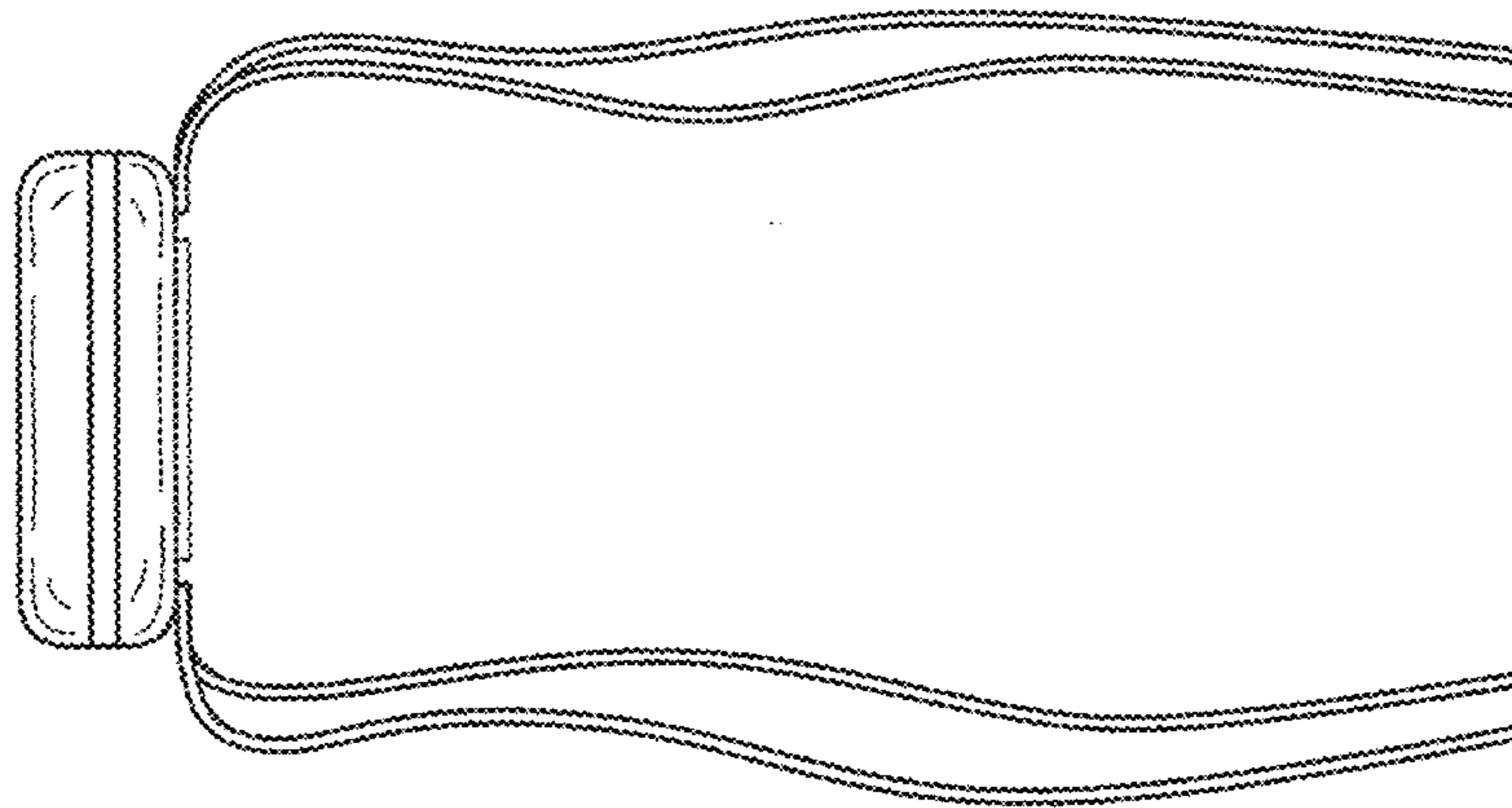


FIG. 3

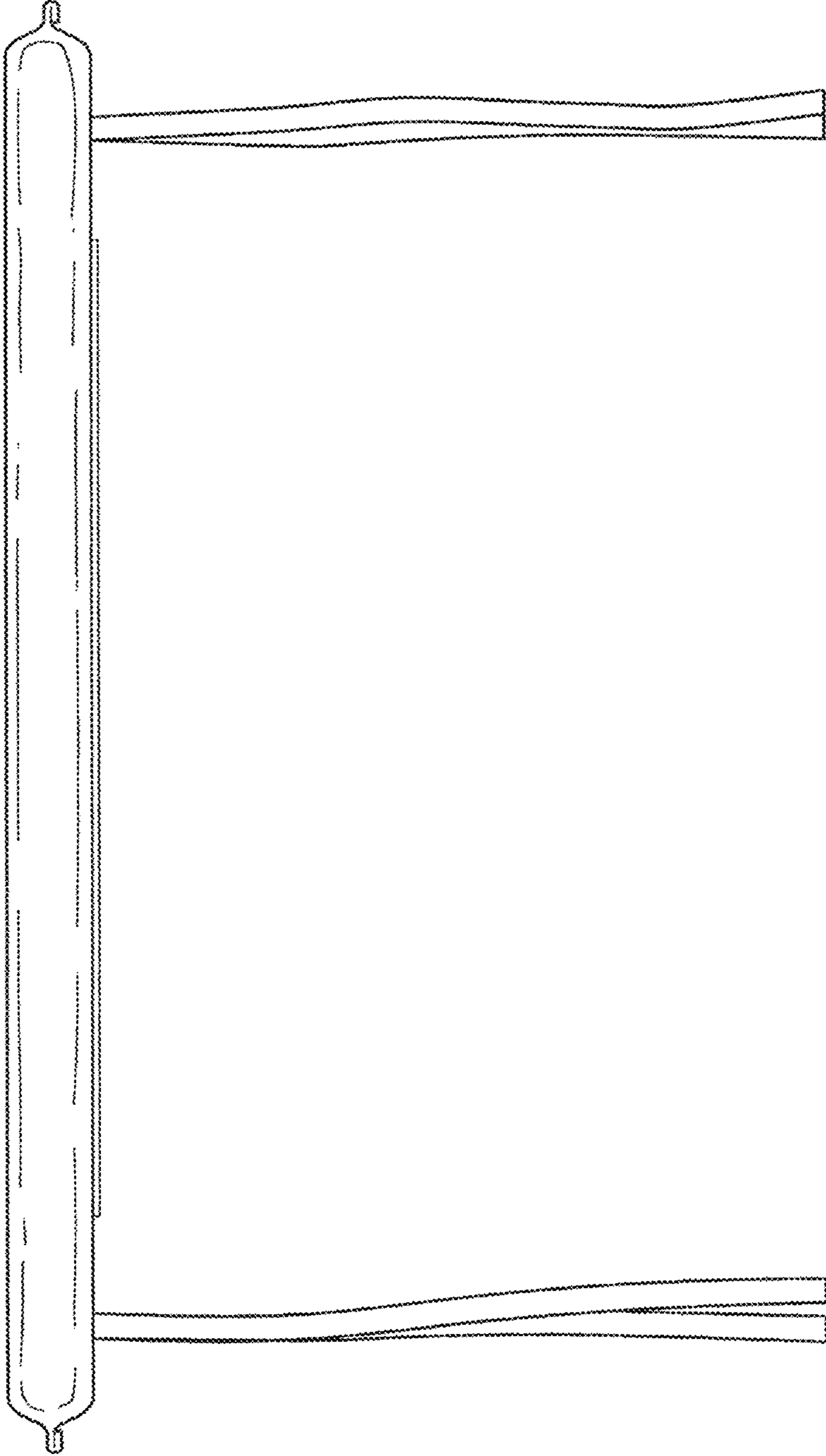


FIG. 5

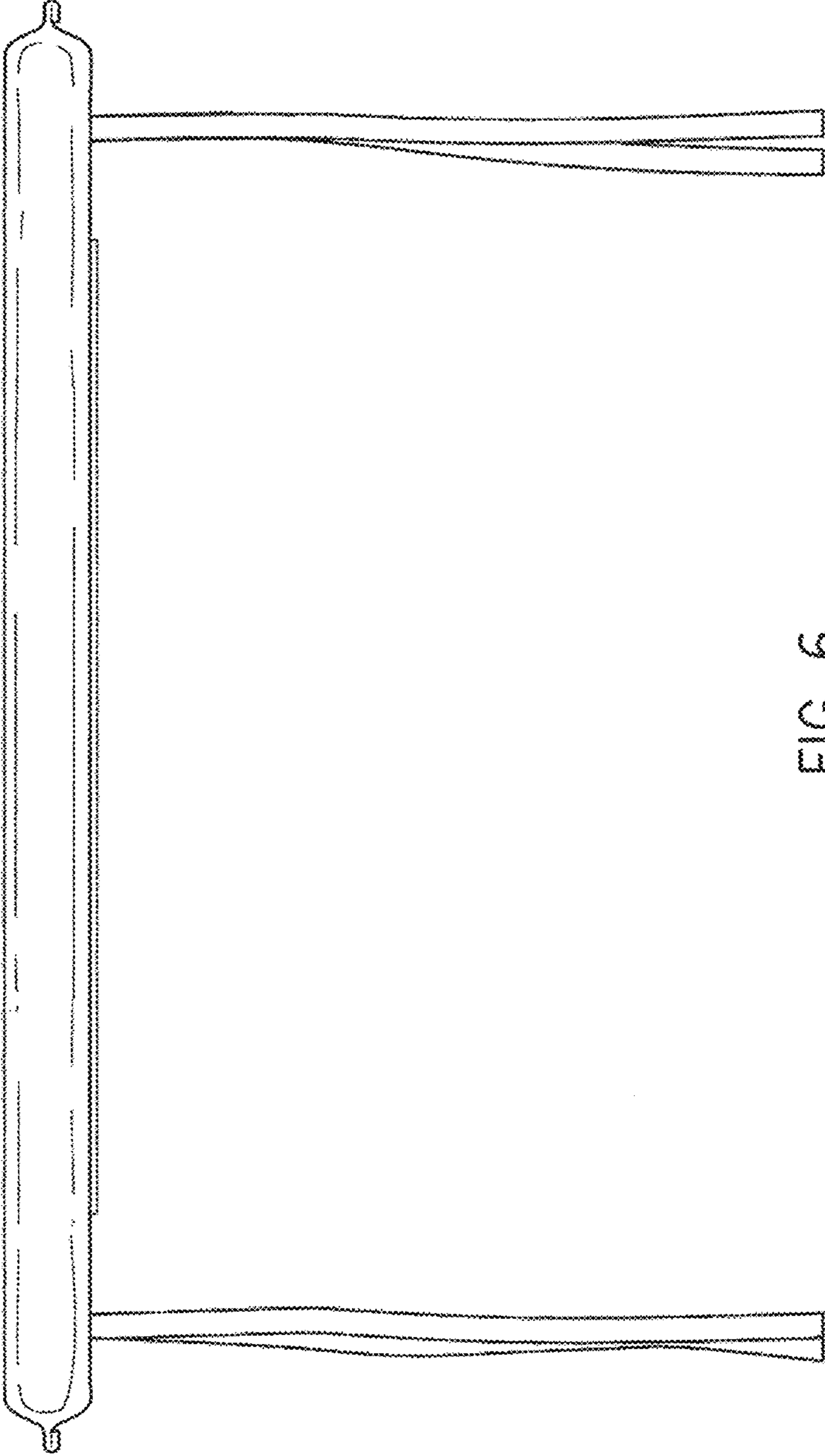


FIG. 6

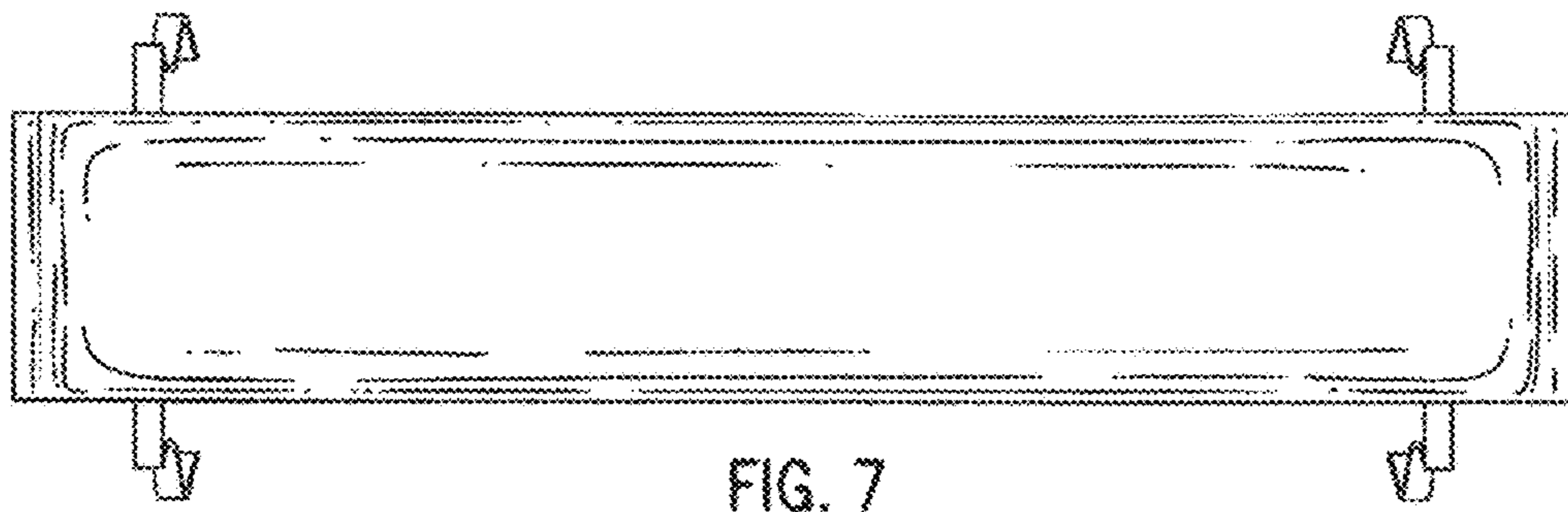


FIG. 7

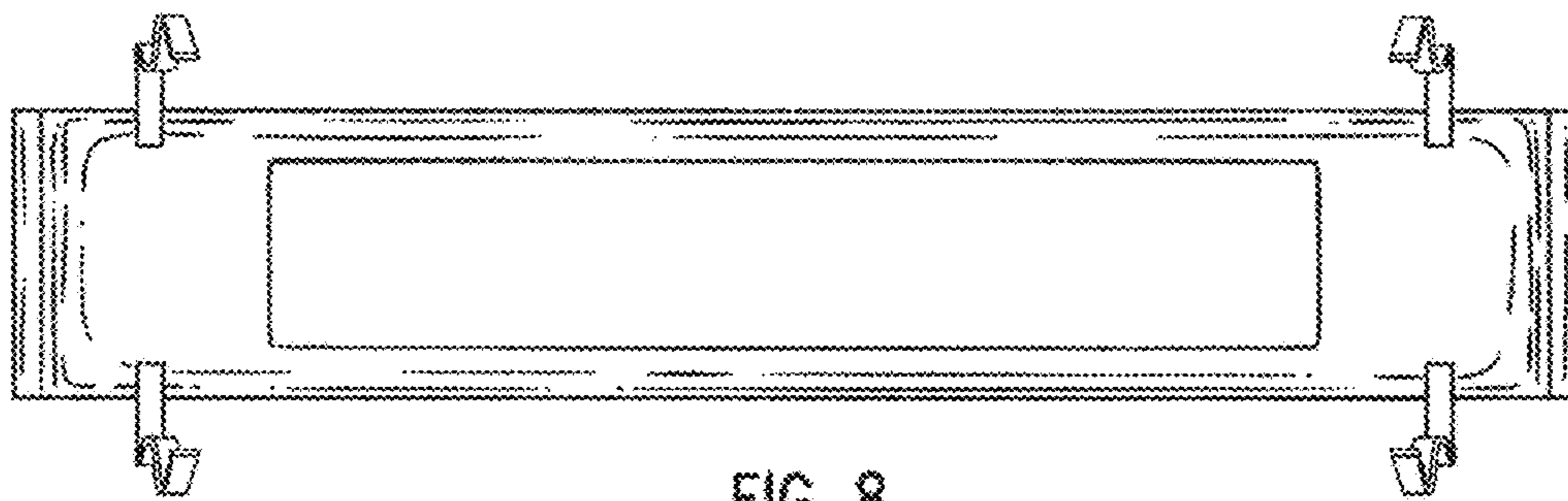


FIG. 8