



US00D860684S

(12) **United States Design Patent** (10) **Patent No.:** **US D860,684 S**
Fowler (45) **Date of Patent:** **** Sep. 24, 2019**

(54) **COMFORTER**

(71) Applicant: **DOWN TO BASICS, Inc.**, Red Bank, NJ (US)

(72) Inventor: **Susan Fowler**, Red Bank, NJ (US)

(73) Assignee: **DOWN TO BASICS, INC.**, Red Bank, NJ (US)

(**) Term: **15 Years**

(21) Appl. No.: **29/630,839**

(22) Filed: **Dec. 22, 2017**

(51) **LOC (12) Cl.** **06-13**

(52) **U.S. Cl.**
USPC **D6/603**

(58) **Field of Classification Search**
USPC D6/603, 606
(Continued)

(56) **References Cited**

U.S. PATENT DOCUMENTS

2,821,723 A * 2/1958 Gluck A47G 9/0238
5/501
3,047,887 A * 8/1962 Koch A47G 9/02
5/502

(Continued)

FOREIGN PATENT DOCUMENTS

CA 2329699 A1 * 6/2001 A47C 27/008
DE 565346 C * 12/1932 A47G 9/0207

(Continued)

OTHER PUBLICATIONS

Queen Siberian Down Comforter—Winter Design—Down to Basics—
Web Capture PDF.

(Continued)

Primary Examiner — R. Johnson

(74) *Attorney, Agent, or Firm* — Stephen J. Weyer, Esq.;
James R. Hayne, Esq.; Stites & Harbison, PLLC

(57) **CLAIM**

The ornamental design for a comforter, as shown and described.

DESCRIPTION

FIG. 1 is a top, right perspective view of a comforter, showing the first embodiment of my new design;

FIG. 2 is a front elevation view of the comforter of FIG. 1.

FIG. 3 is a rear elevation view of the comforter of FIG. 1.

FIG. 4 is a left side elevation view of the comforter of FIG. 1.

FIG. 5 is a right side elevation view of the comforter of FIG. 1.

FIG. 6 is a top plan view of the comforter of FIG. 1.

FIG. 7 is a bottom plan view of the comforter of FIG. 1.

FIG. 8 is an enlarged detail view of the portion taken along line 8 in FIG. 1;

FIG. 9 is a top, right perspective view of a comforter, showing the second embodiment of the design;

FIG. 10 is a front elevation view of the comforter of FIG. 9.

FIG. 11 is a rear elevation view of the comforter of FIG. 9.

FIG. 12 is a left side elevation view of the comforter of FIG. 9.

FIG. 13 is a right side elevation view of the comforter of FIG. 9.

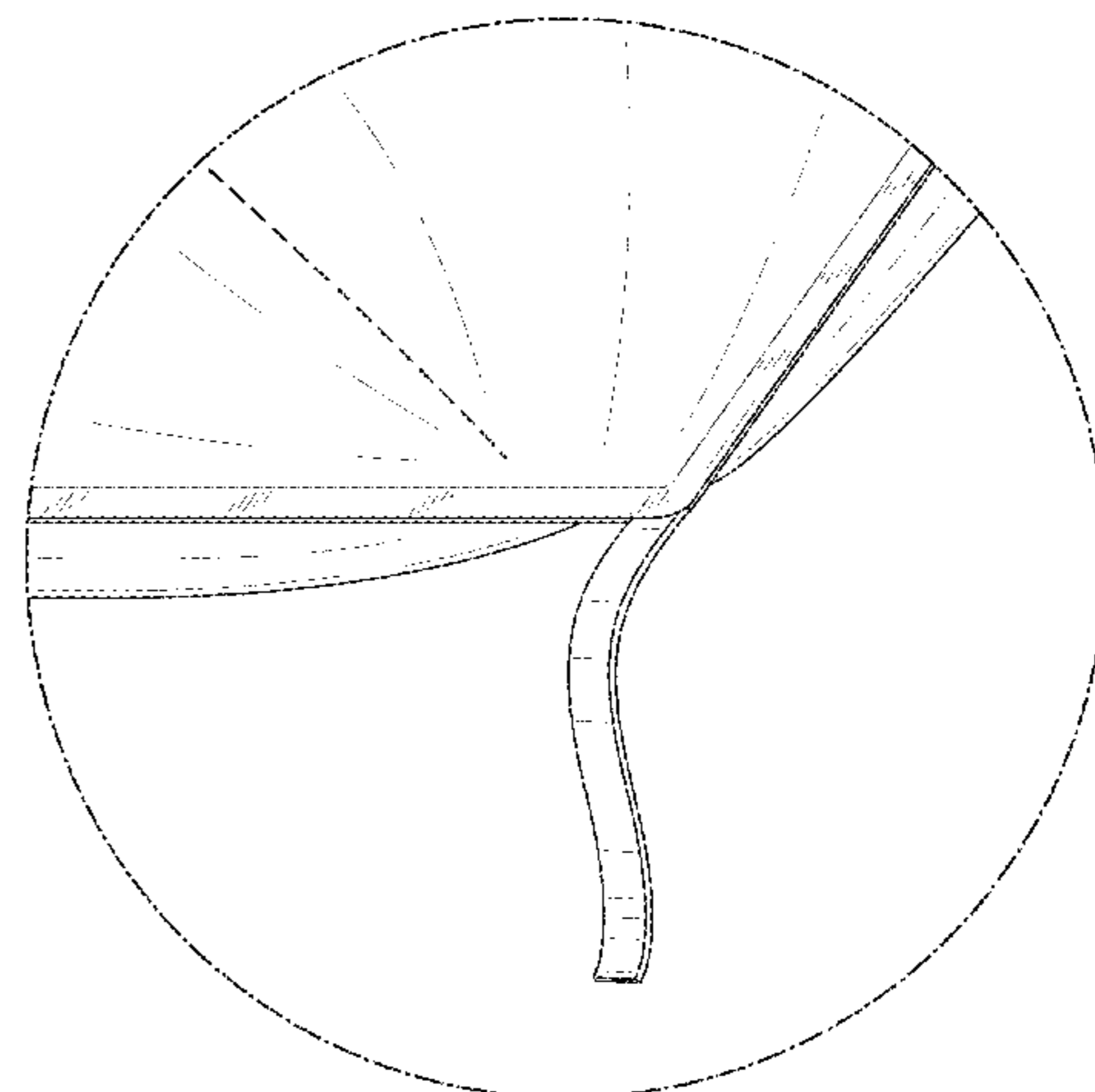
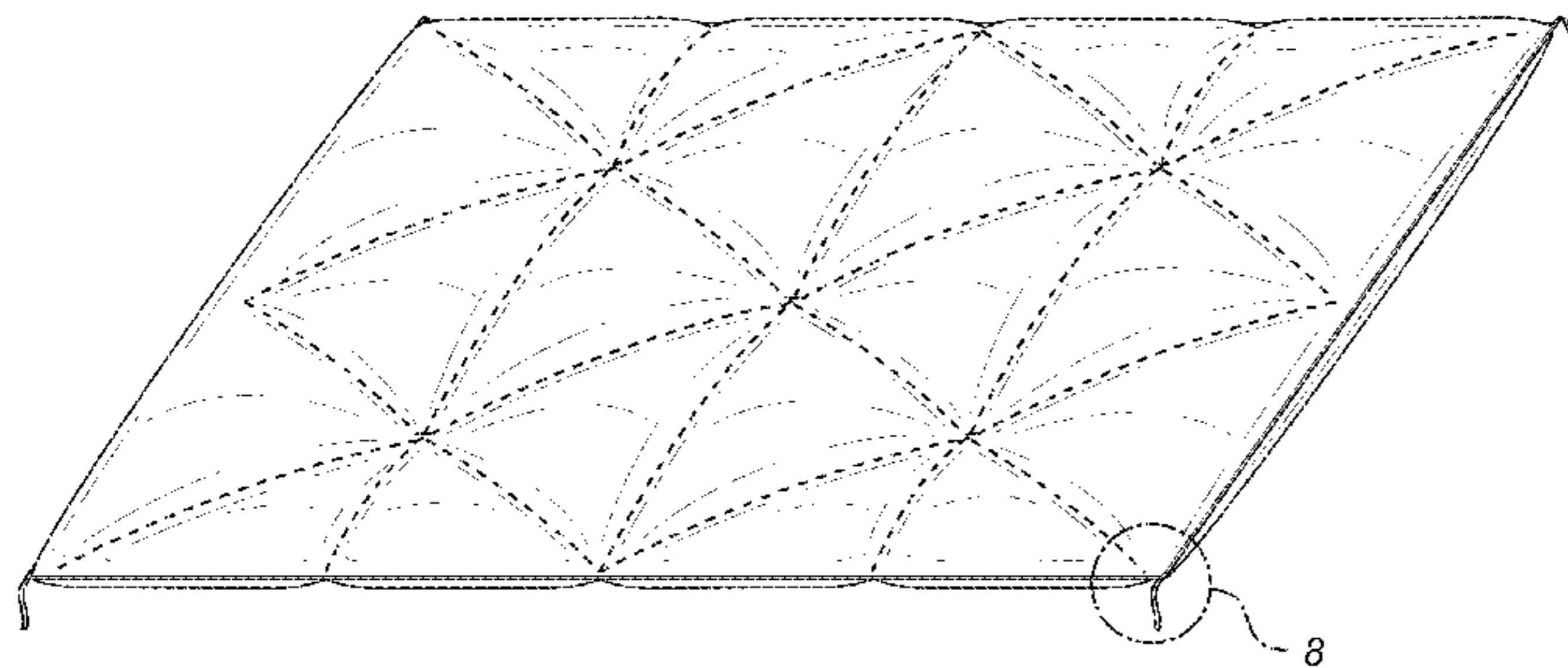
FIG. 14 is a top plan view of the comforter of FIG. 9.

FIG. 15 is a bottom plan view of the comforter of FIG. 9; and,

FIG. 16 is an enlarged detail view of the portion taken along line 16 in FIG. 9.

The dash-dash broken lines shown represent stitching and form part of the claimed design. The dash-dot-dash broken lines are included for illustration purposes and form no part of the claimed design.

1 Claim, 16 Drawing Sheets



(58) **Field of Classification Search**

CPC A47G 9/02; A47G 9/0207; A47G 9/0238;
A47G 9/0223; A47G 9/0261; A47G 9/06;
A47G 9/066

See application file for complete search history.

(56) **References Cited**

U.S. PATENT DOCUMENTS

D250,494 S * 12/1978 Householder D24/126
5,243,725 A 9/1993 Fowler
D763,014 S * 8/2016 Millman D6/606
2005/0262634 A1* 12/2005 Gottlieb A45F 4/06
5/482
2011/0239369 A1* 10/2011 Dobin A47G 9/0207
5/502

FOREIGN PATENT DOCUMENTS

DE 942165 C * 4/1956 A47G 9/0207
FR 1509028 A * 1/1968 A47C 31/105
JP 2017079837 A * 5/2017 A47C 27/086

OTHER PUBLICATIONS

Queen All Year Diagon Down Comforter—Down to Basics—Web
Capture PDG.

* cited by examiner

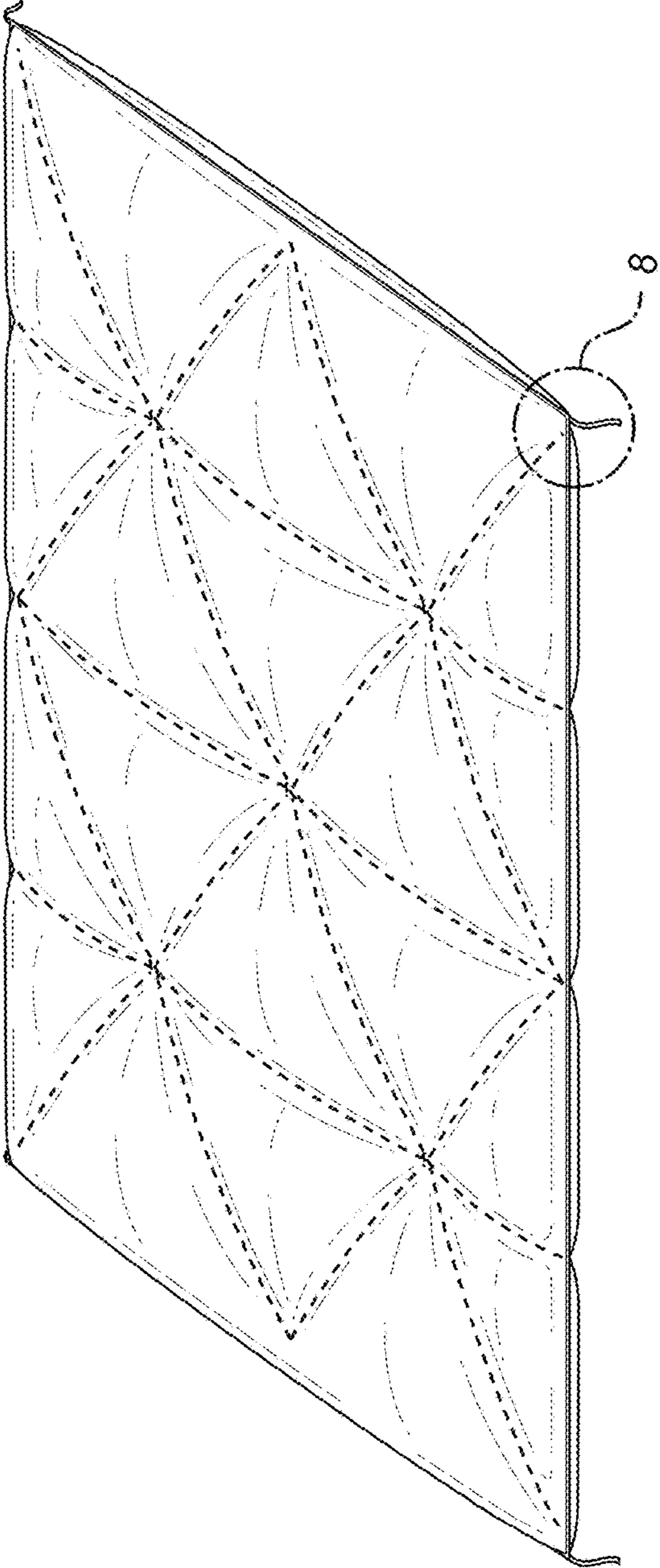


FIG. 1

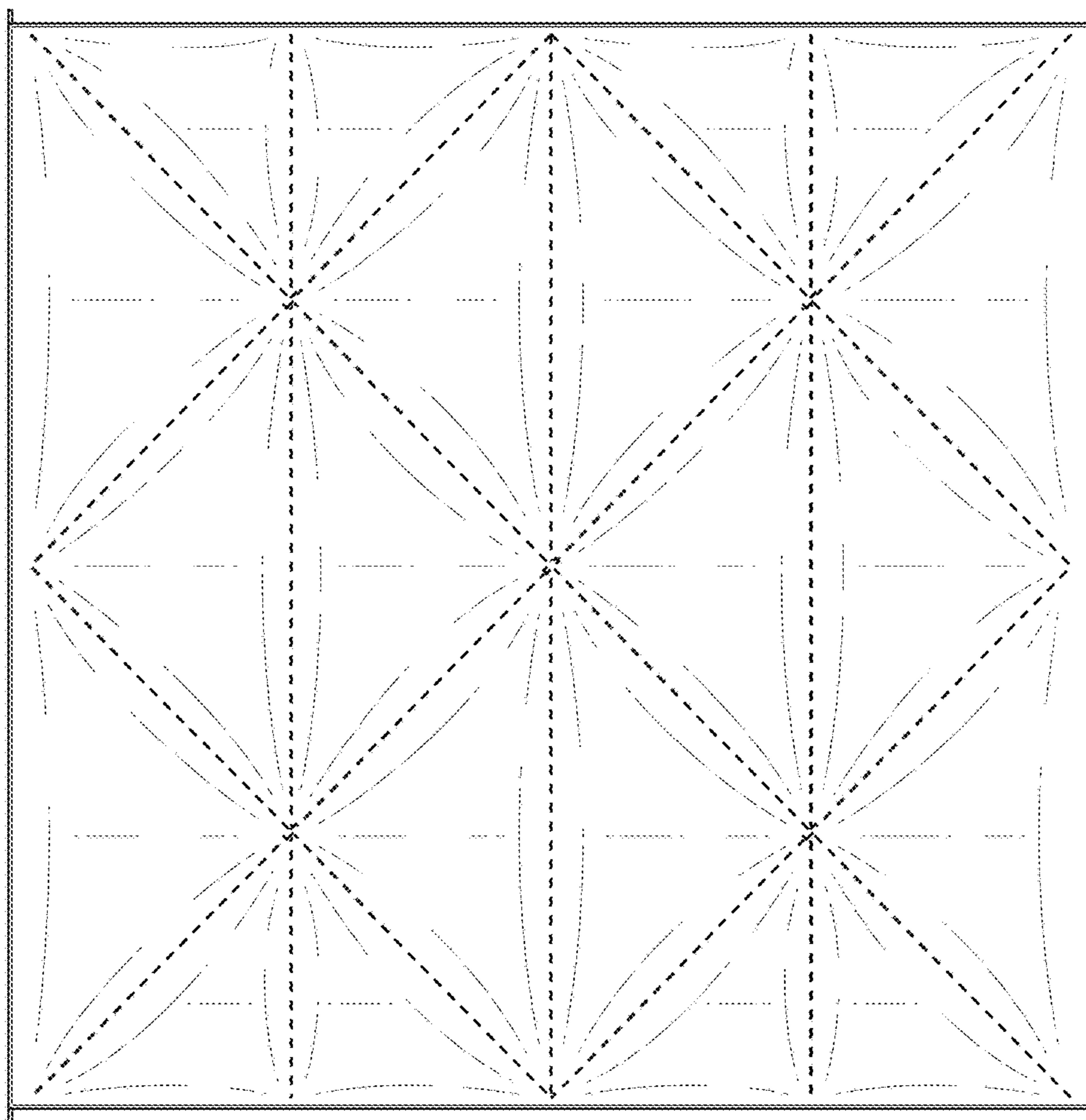


FIG. 2

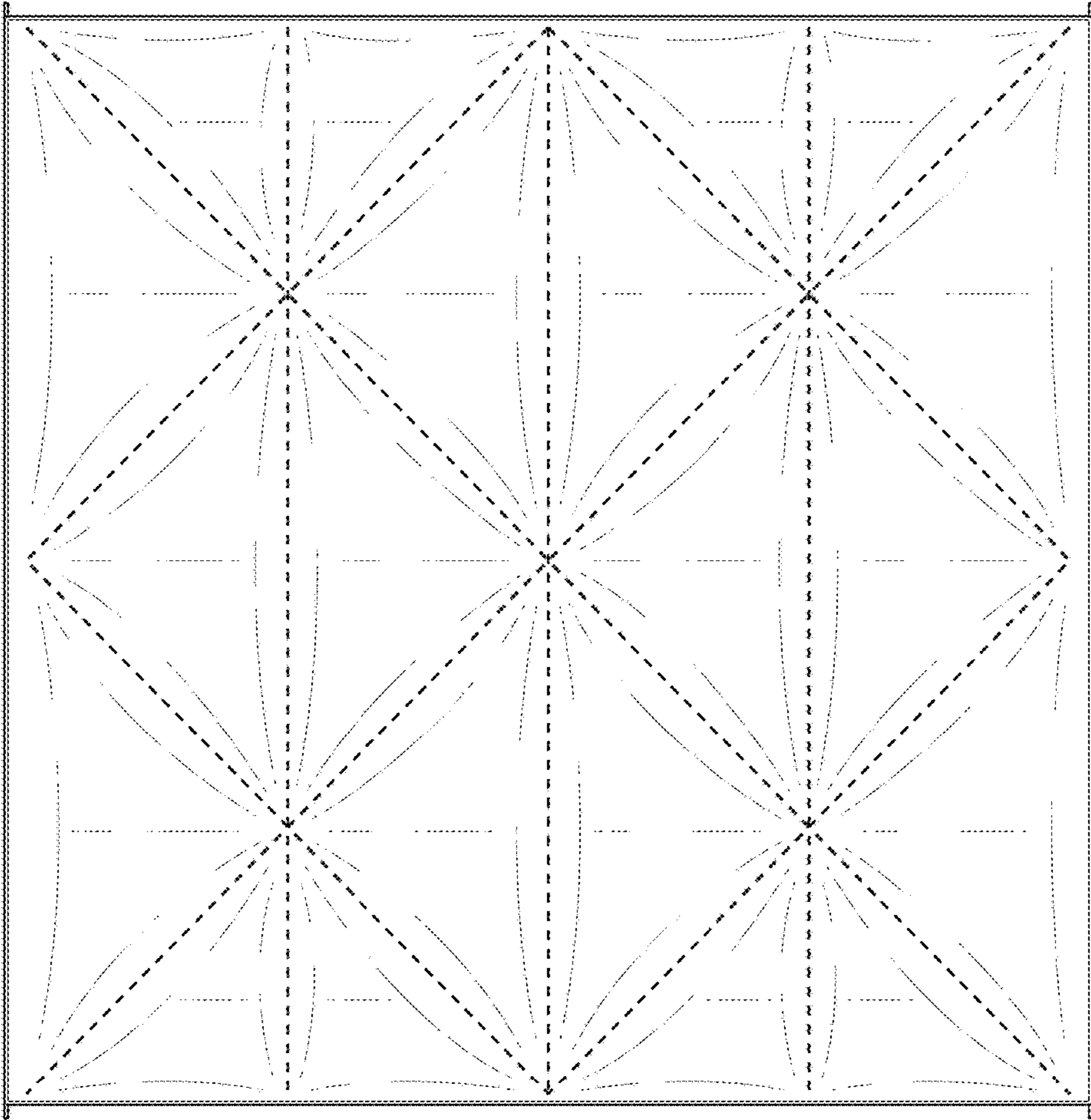


FIG. 3



FIG. 4



FIG. 5

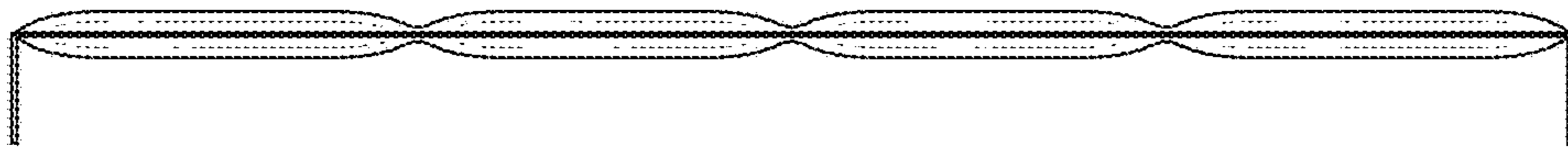


FIG. 6

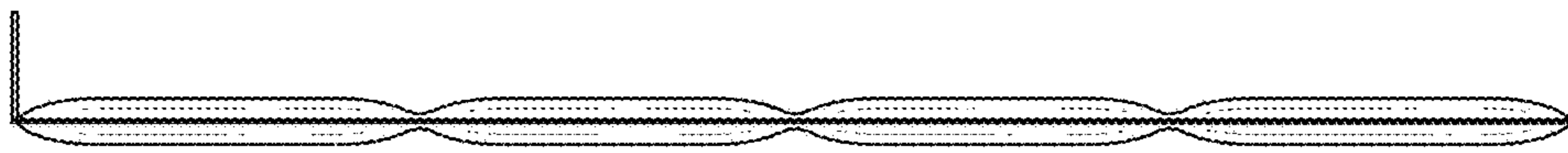


FIG. 7

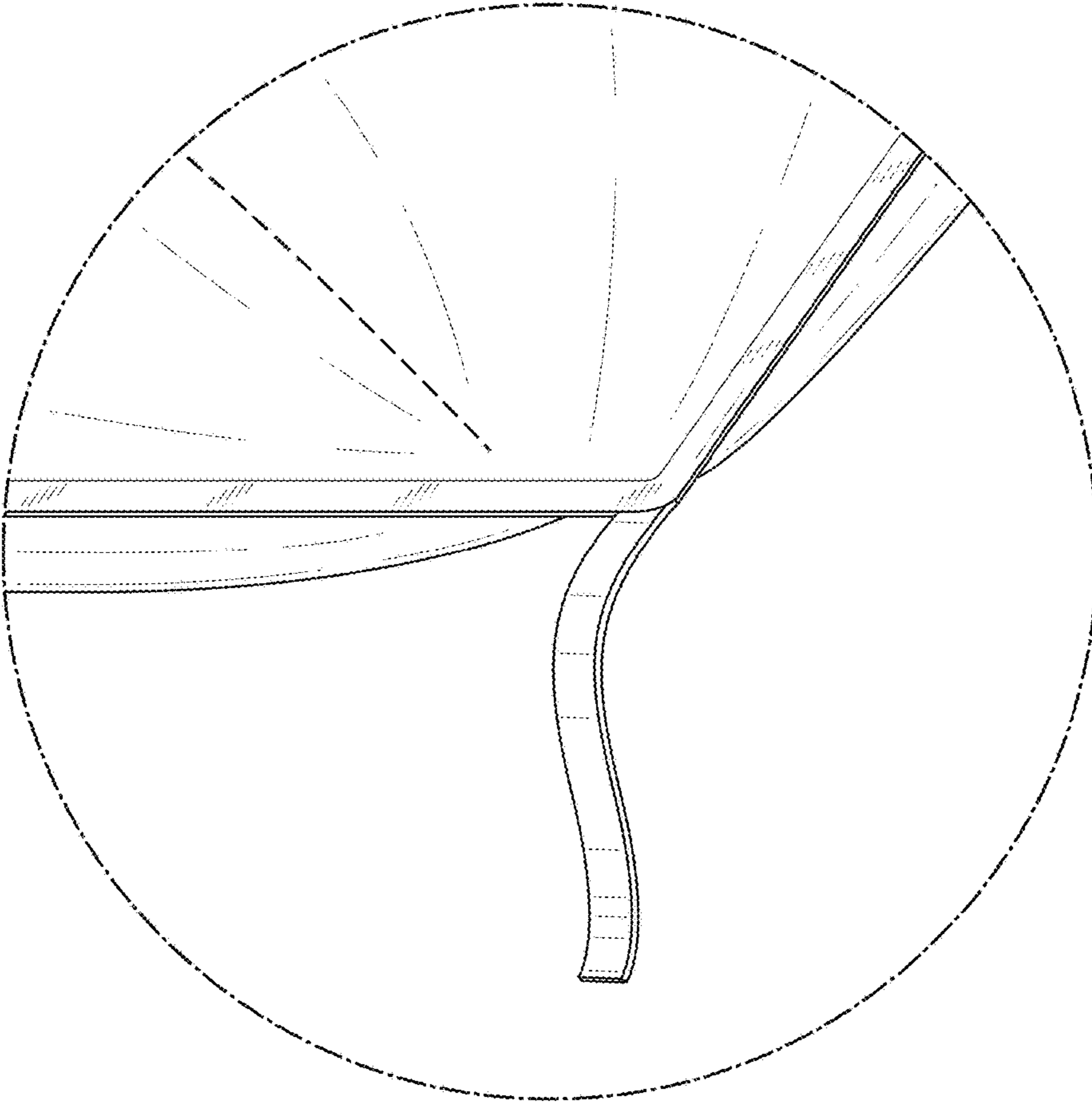


FIG. 8

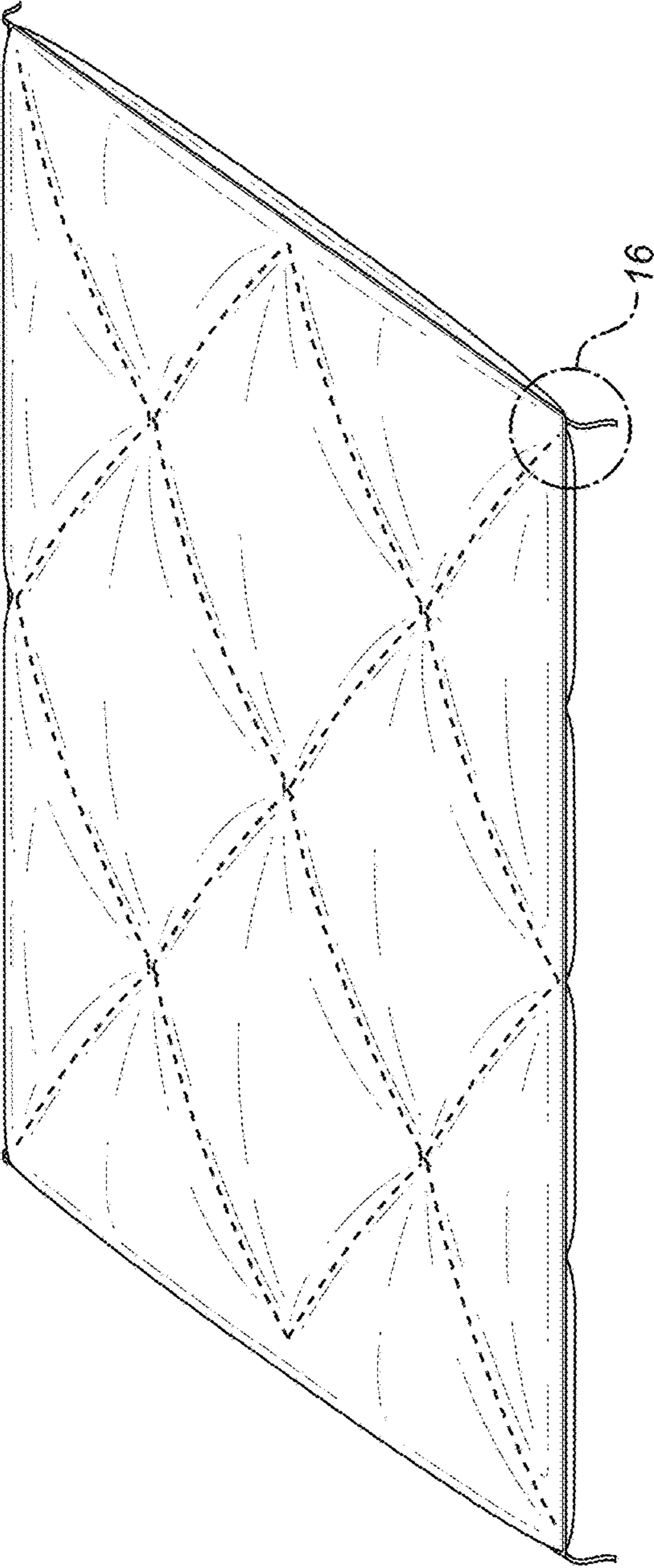


FIG. 9

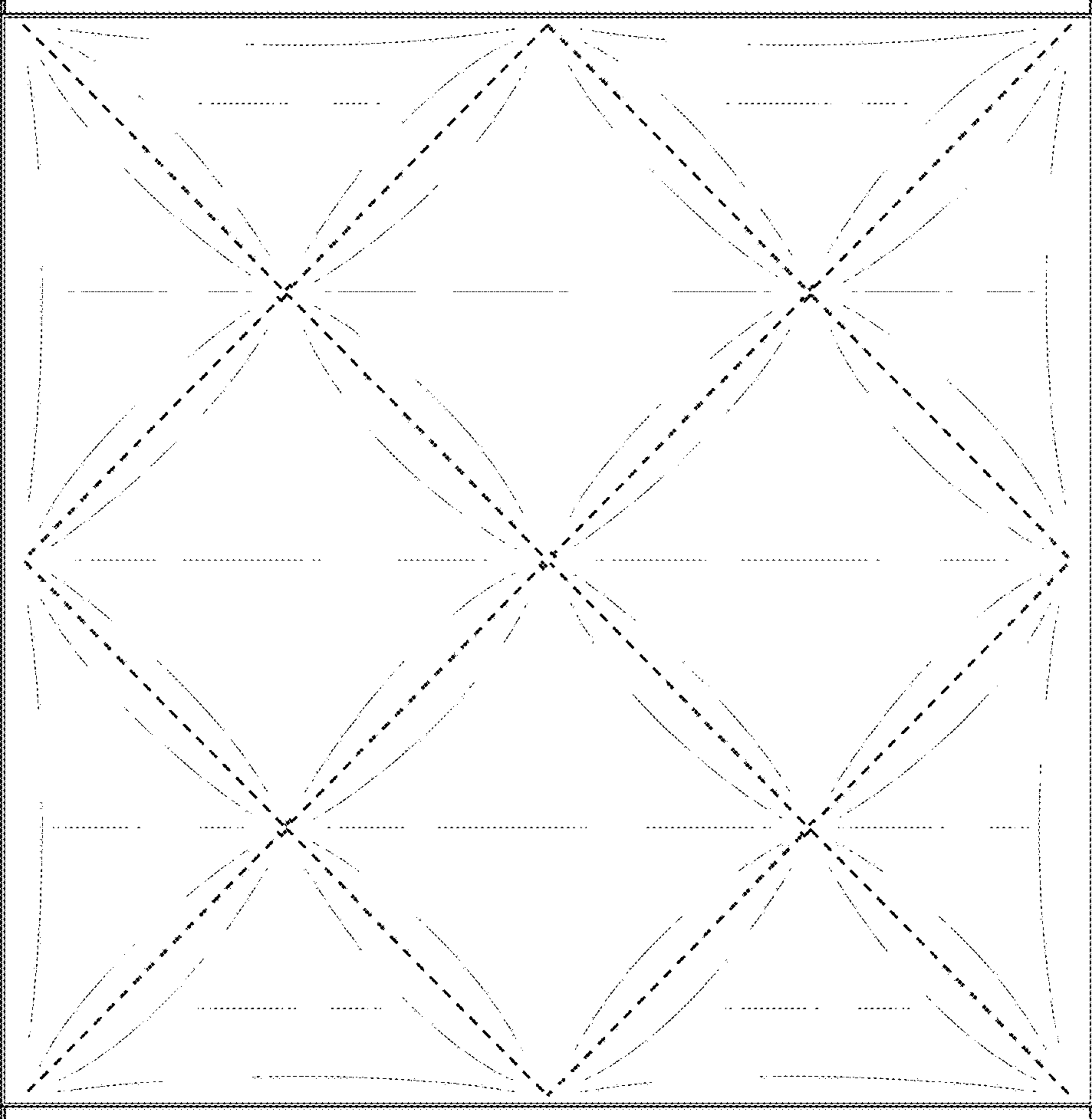


FIG. 10

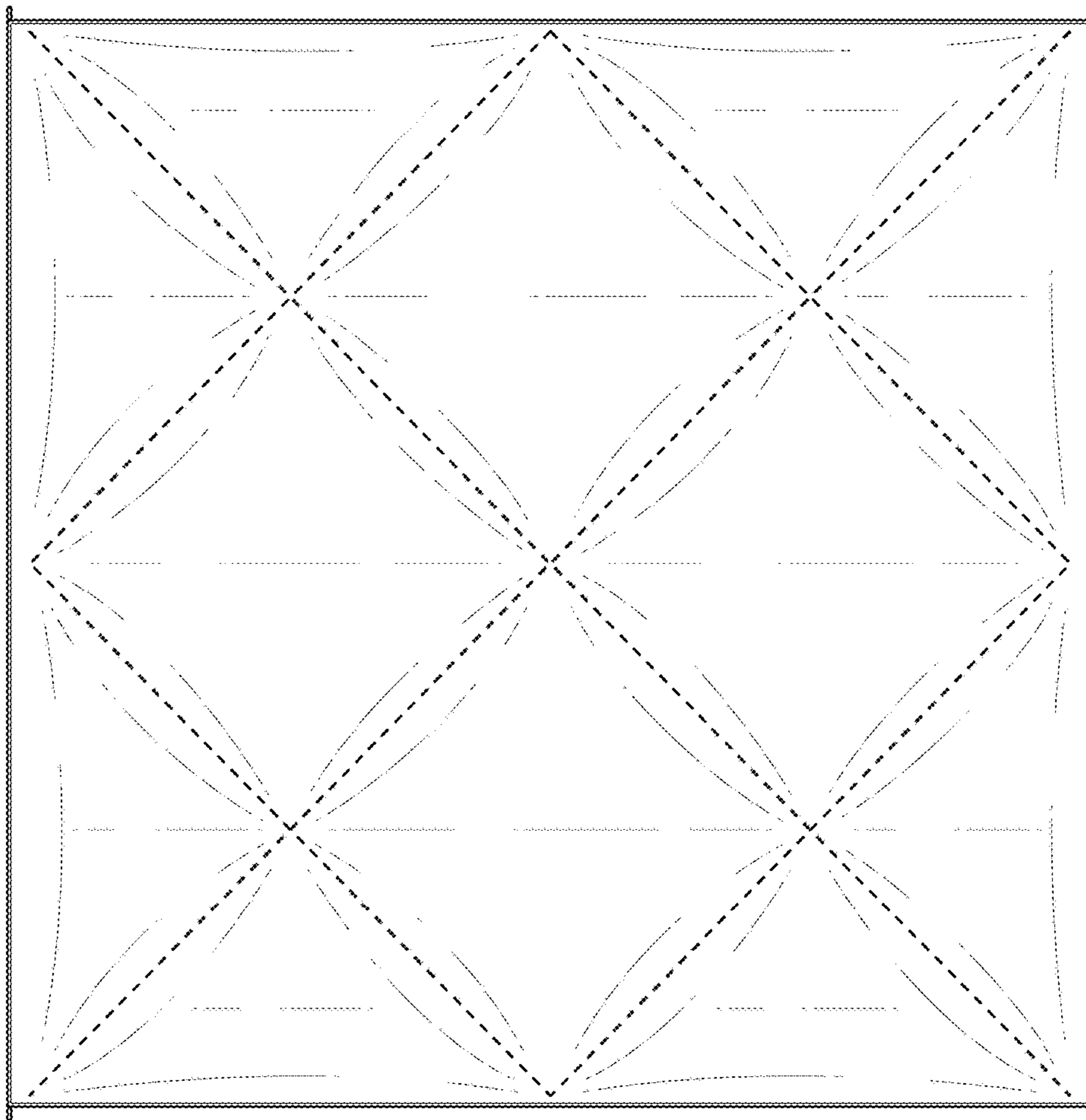


FIG. 11



FIG. 12



FIG. 13

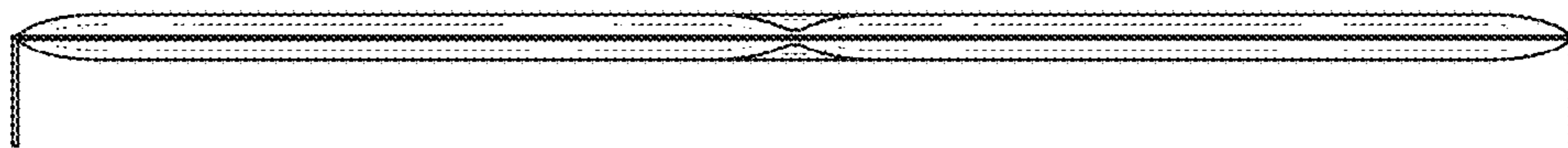


FIG. 14



FIG. 15

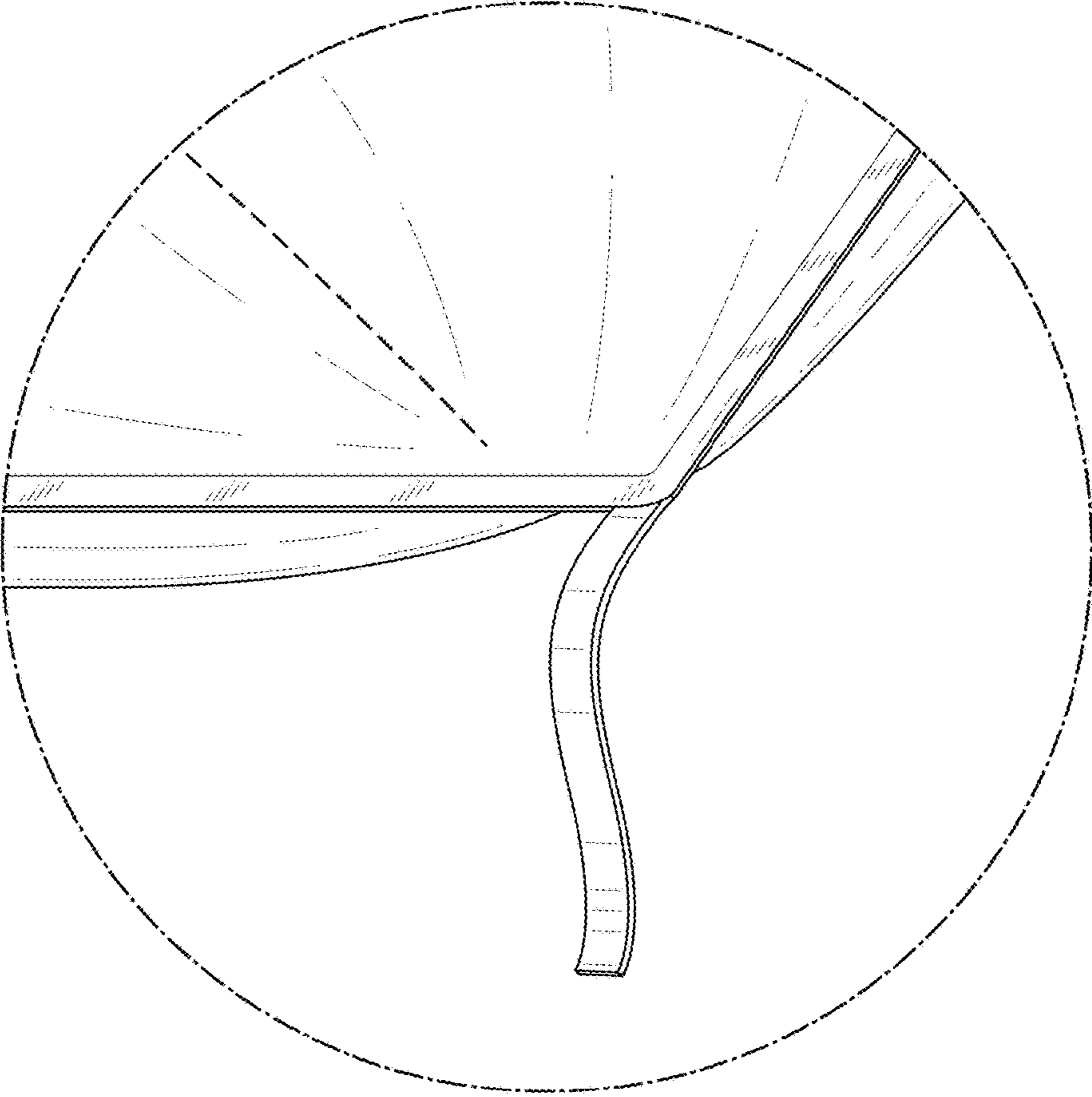


FIG. 16