

US00D860683S

(12) **United States Design Patent**
Shakir-Ferguson

(10) **Patent No.:** **US D860,683 S**

(45) **Date of Patent:** **** Sep. 24, 2019**

- (54) **BABY PILLOW GRIPPER**
- (71) Applicant: **Rhonda Shakir-Ferguson**, Covington, GA (US)
- (72) Inventor: **Rhonda Shakir-Ferguson**, Covington, GA (US)
- (73) Assignee: **Rhonda Shakir-Ferguson**, Covington, GA (US)
- (**) Term: **15 Years**

4,393,520	A *	7/1983	Koch	A41D 13/08
					2/16
4,471,993	A *	9/1984	Watson	A47C 7/425
					297/230.13
4,627,109	A *	12/1986	Carabelli	A61F 5/028
					2/300
4,674,110	A *	6/1987	Eaton	A61B 6/0421
					378/180
D334,827	S *	4/1993	Brown	D24/190
D346,925	S *	5/1994	Egan	D6/601
D388,995	S *	1/1998	Hargest	D24/192
D395,886	S *	7/1998	Rawley	D14/217
6,061,854	A *	5/2000	Crowley	A47D 13/083
					108/43

(Continued)

- (21) Appl. No.: **29/651,123**
- (22) Filed: **Dec. 18, 2017**
- (51) **LOC (12) Cl.** **06-09**
- (52) **U.S. Cl.**
USPC **D6/601**
- (58) **Field of Classification Search**
USPC D6/582-583, 587-592, 595-609,
D6/617-622; D2/719; D24/183-184,
D24/234
CPC A47G 9/00; A47G 2009/001; A47G
2009/002; A47G 2009/003; A47G
2009/005; A47G 9/02; A47G 9/0207;
A47G 9/0215; A47G 9/0223; A47G
9/023; A47G 9/0238; A47G 9/0246;
A47G 9/0253; A47G 9/0261; A47G 9/06;
A47G 9/062; A47G 9/066; A47G 9/08;
A47G 9/083; A47G 9/086; A47G 9/04;
A47G 2009/0276; A47G 9/0292
See application file for complete search history.

FOREIGN PATENT DOCUMENTS

WO WO-9408497 A1 * 4/1994 A47G 9/02
Primary Examiner — Michelle E. Wilson
Assistant Examiner — Sanjeev Paul

(57) **CLAIM**

I claim the ornamental design for a baby pillow gripper, as shown and described.

DESCRIPTION

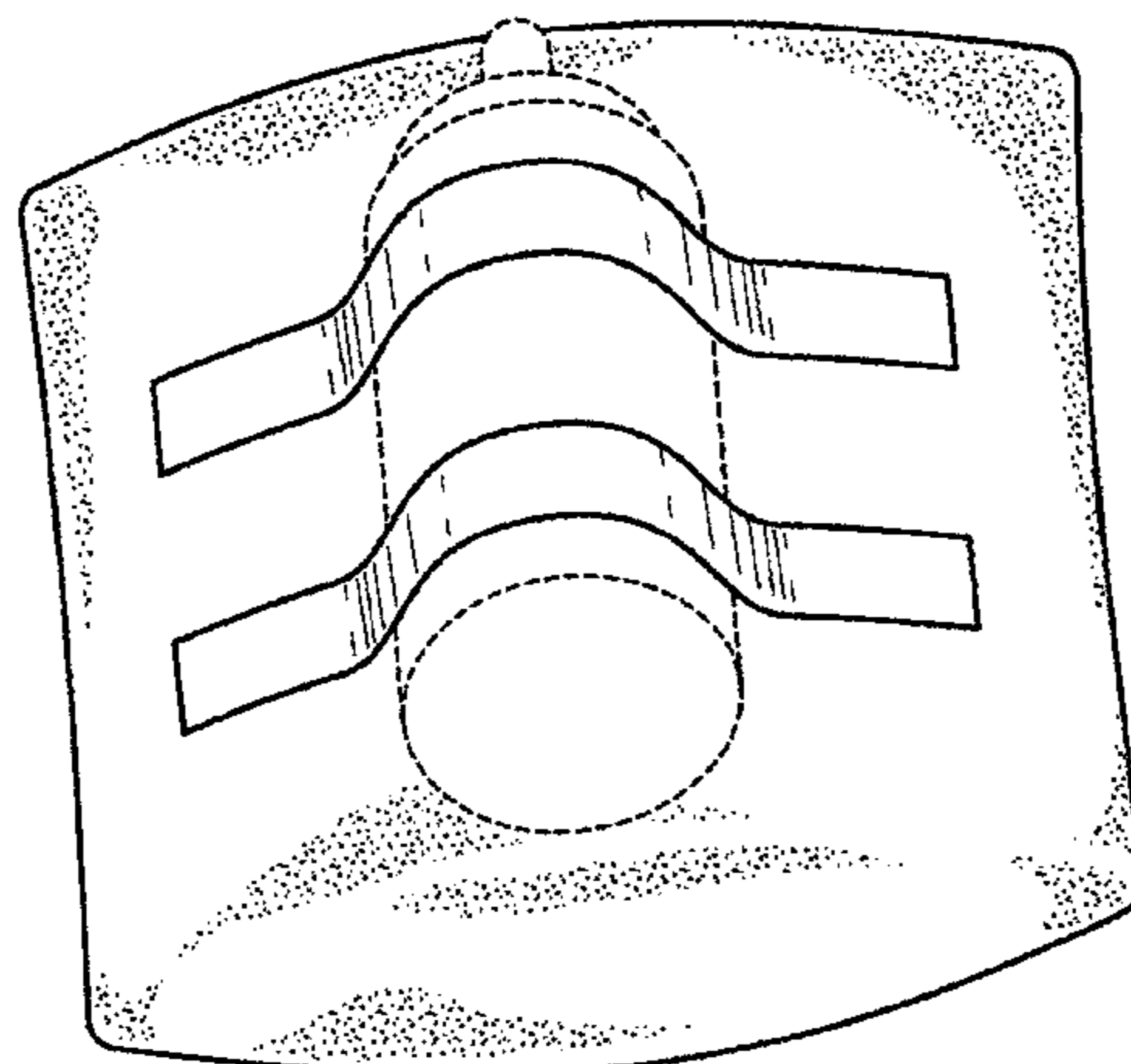
FIG. 1 is a perspective view of the baby pillow gripper showing my new design;
 FIG. 2 is a front view thereof;
 FIG. 3 is a top view thereof;
 FIG. 4 is a right side view thereof;
 FIG. 5 is a left side view thereof;
 FIG. 6 is a rear view thereof;
 FIG. 7 is a bottom view thereof; and,
 FIG. 8 is a perspective view of the baby pillow gripper shown in a state of use.
 The Broken lines shown in the drawings represent stitching and forms no part of the claimed design. The broken lines showing the baby bottle represent environmental subject matter and forms no part of the claimed design.

1 Claim, 4 Drawing Sheets

(56) **References Cited**

U.S. PATENT DOCUMENTS

3,337,883	A *	8/1967	Allison	A47G 9/1009
					5/638
4,030,719	A *	6/1977	Gabriele	A61B 6/0421
					5/601



(56)

References Cited

U.S. PATENT DOCUMENTS

D435,941	S *	1/2001	Tishler	D29/120.1
6,182,311	B1 *	2/2001	Buchanan	A47C 20/021
				128/845
D474,934	S *	5/2003	Ildstad	D6/601
D506,293	S *	6/2005	Trawinski	D29/120.1
D526,449	S *	8/2006	Dawson	D29/122
D612,187	S *	3/2010	Visco	D6/604
D612,543	S *	3/2010	Marseille	D14/460
D658,302	S *	4/2012	Nixon	D24/190
D730,630	S *	6/2015	Duff	D2/894
D799,052	S *	10/2017	Rossouw	D24/190
D809,149	S *	1/2018	Tsuzuranuki	D24/190
2011/0309211	A1 *	12/2011	Shakir-Ferguson	A61J 9/06
				248/104
2013/0036554	A1 *	2/2013	Steinmetz	A47C 20/025
				5/631
2014/0082848	A1 *	3/2014	Fort	A47D 15/008
				5/655
2017/0238733	A1 *	8/2017	Saunier	A47G 9/062
2018/0177312	A1 *	6/2018	Reed-Williams	A47G 9/0223

* cited by examiner

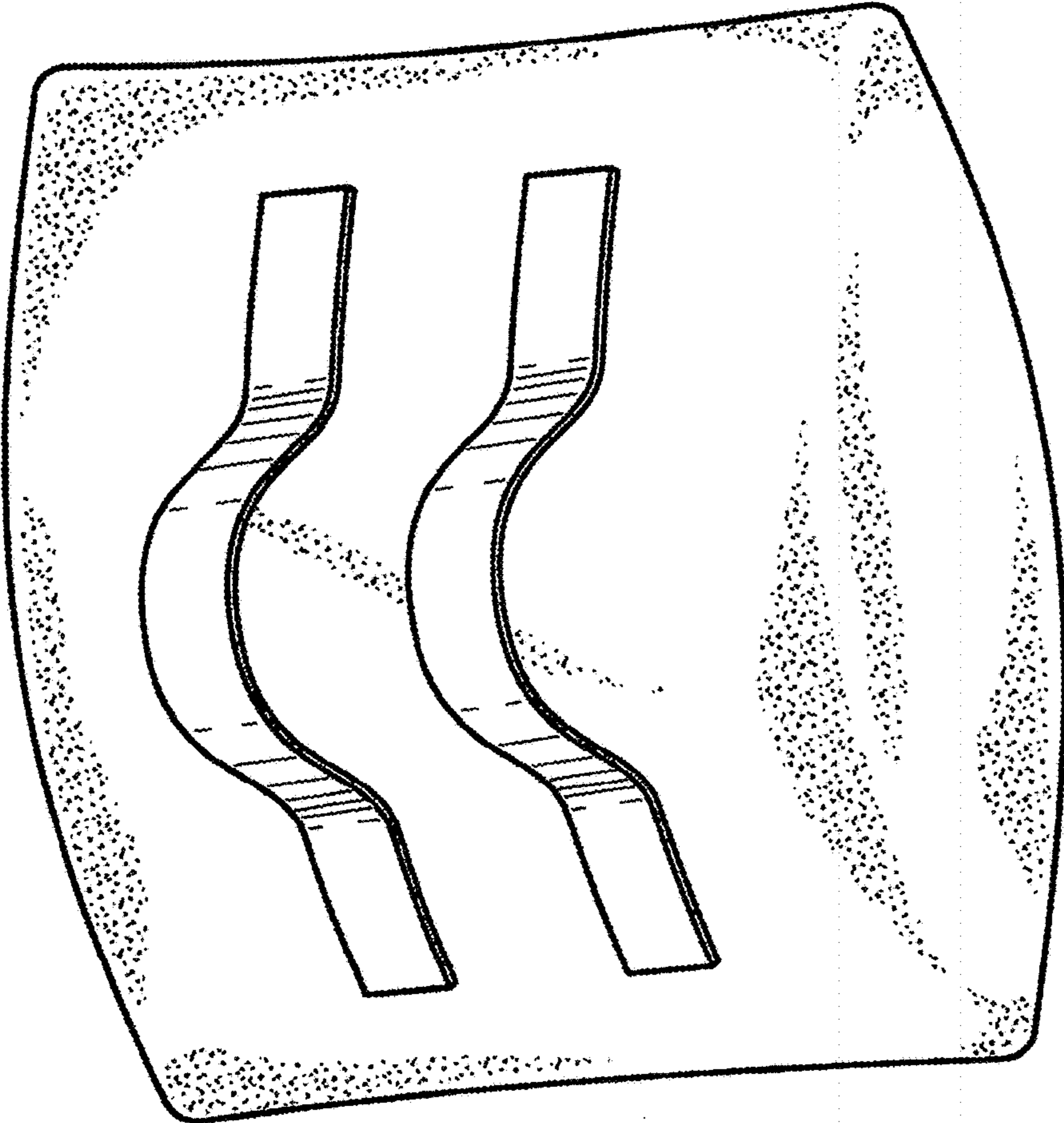


FIG. 1

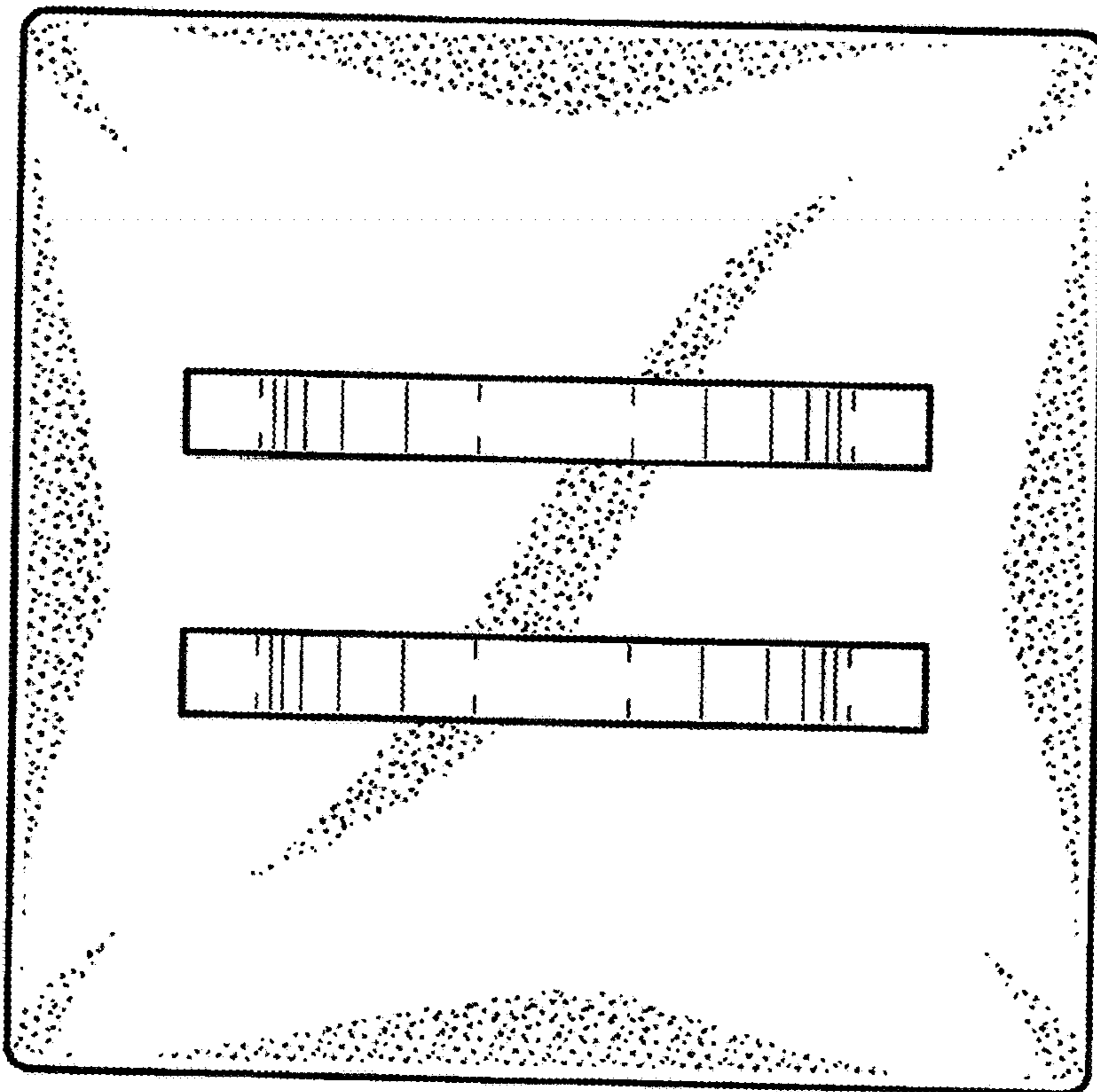


FIG. 2

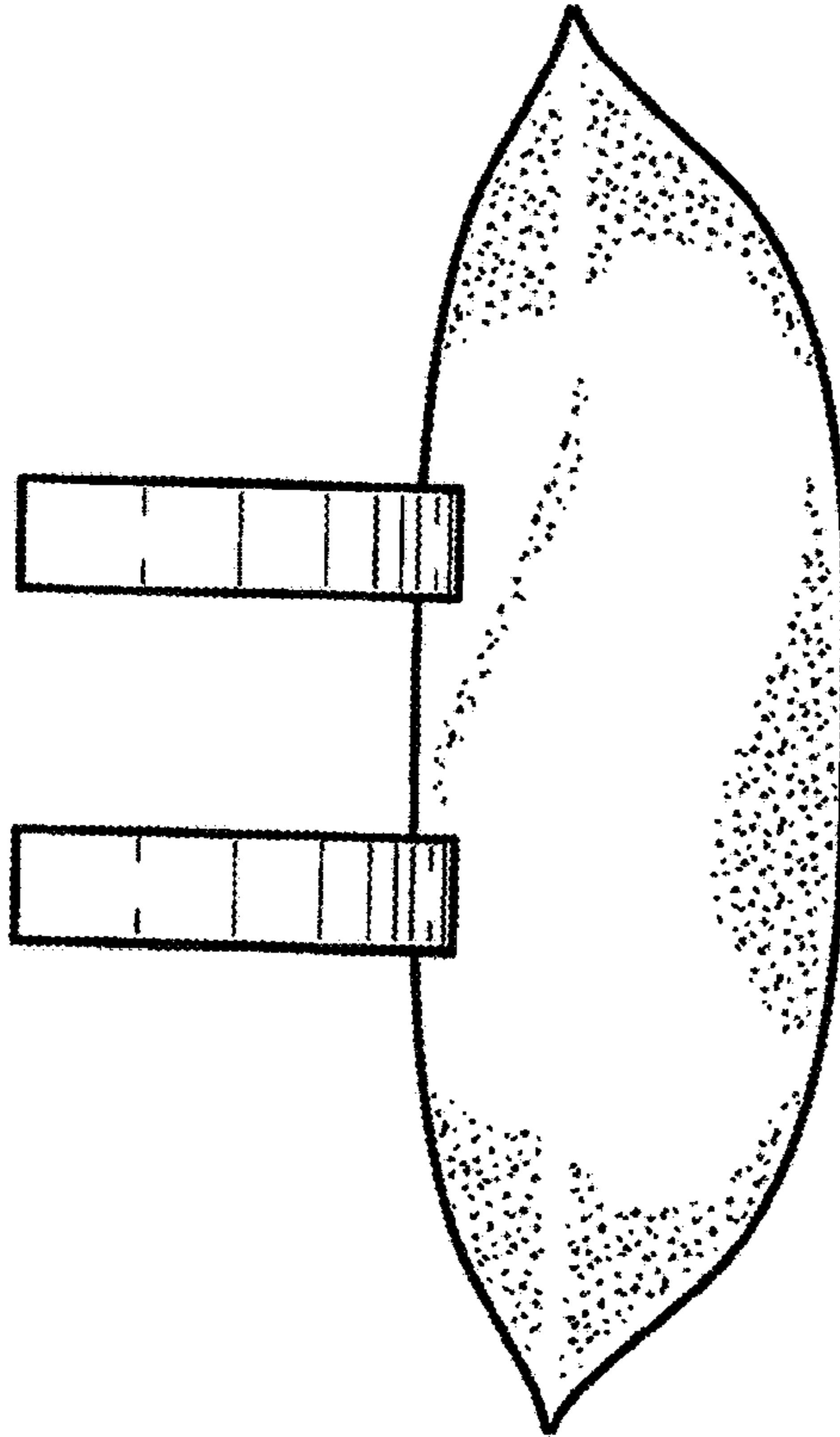


FIG. 3

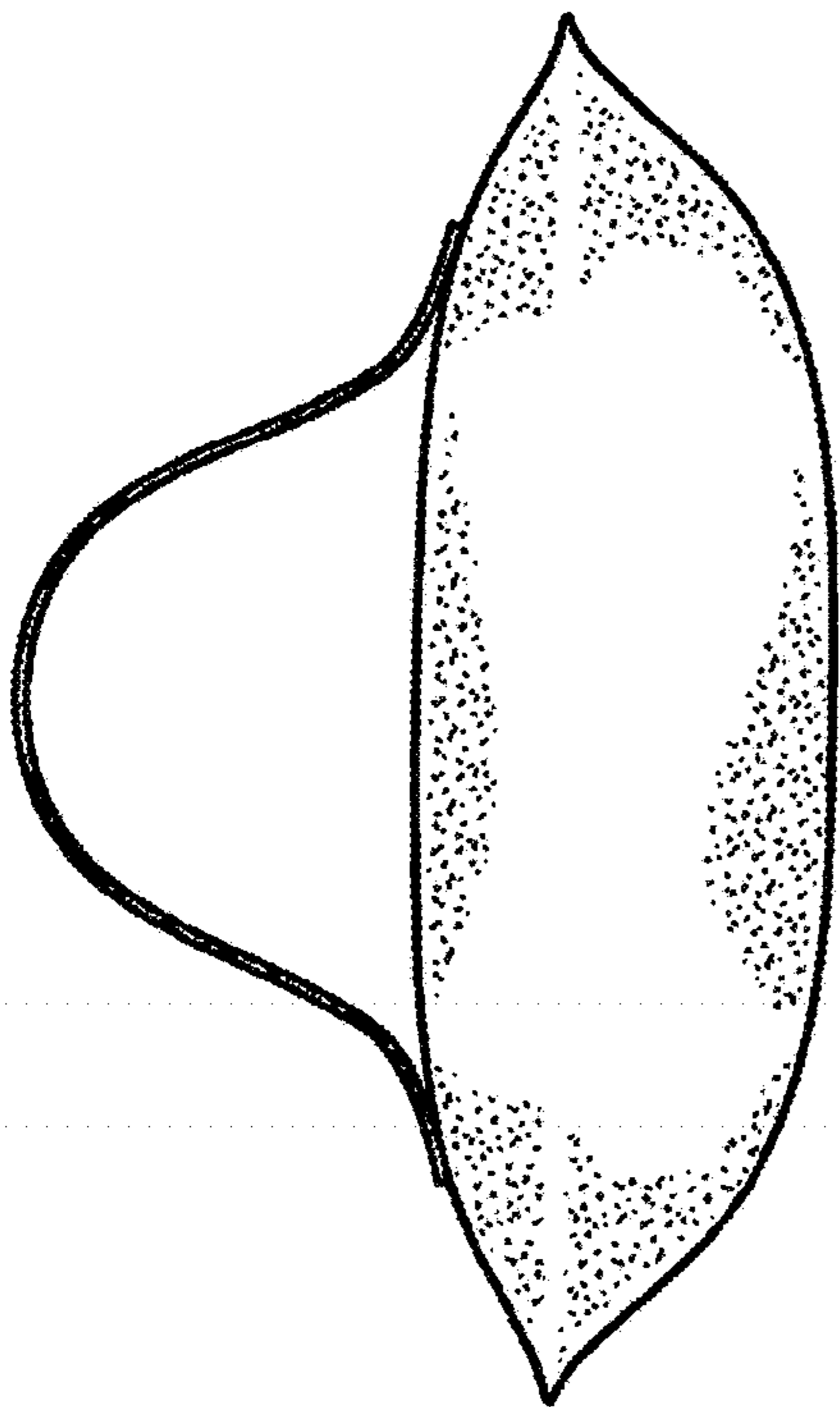


FIG. 4

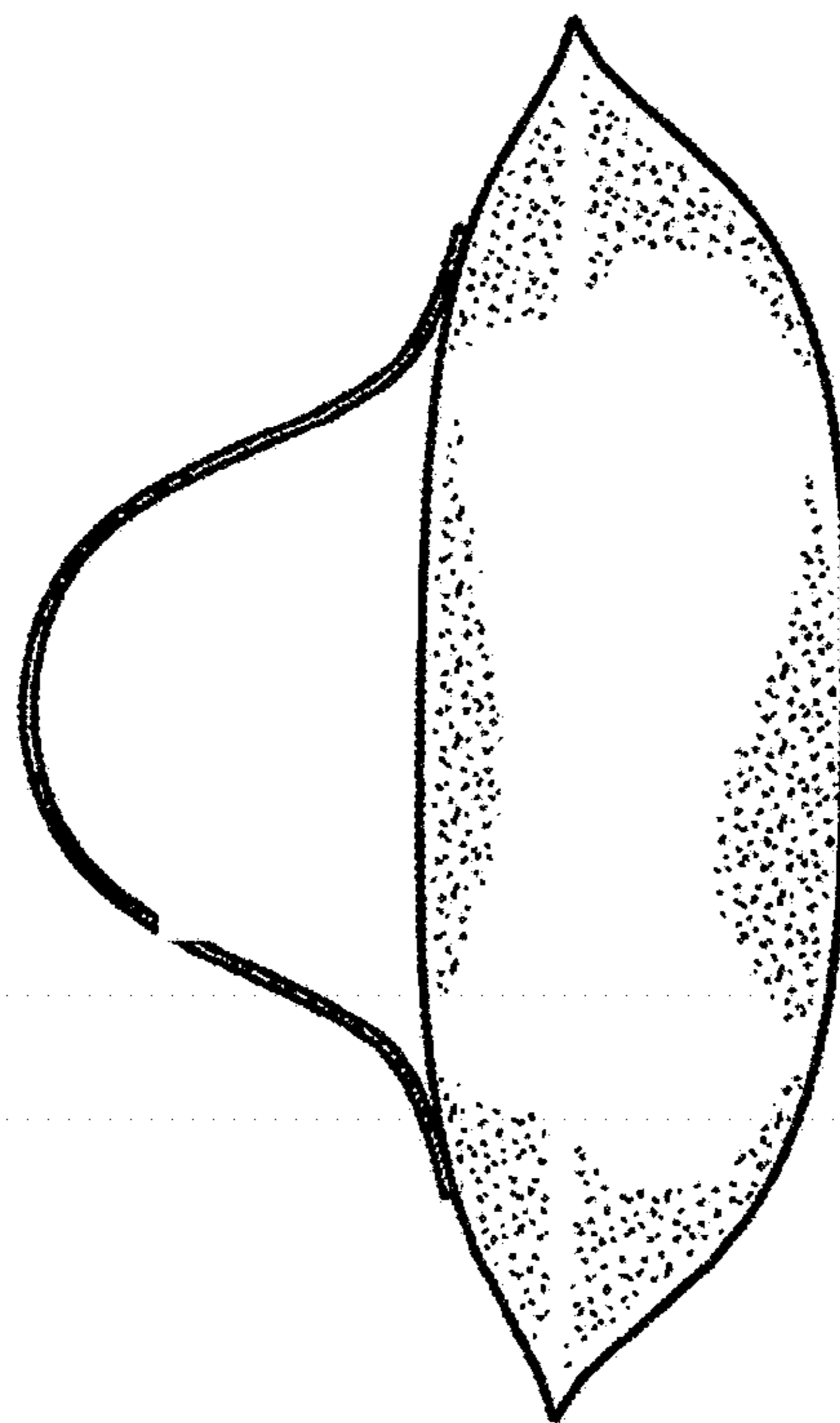


FIG. 5

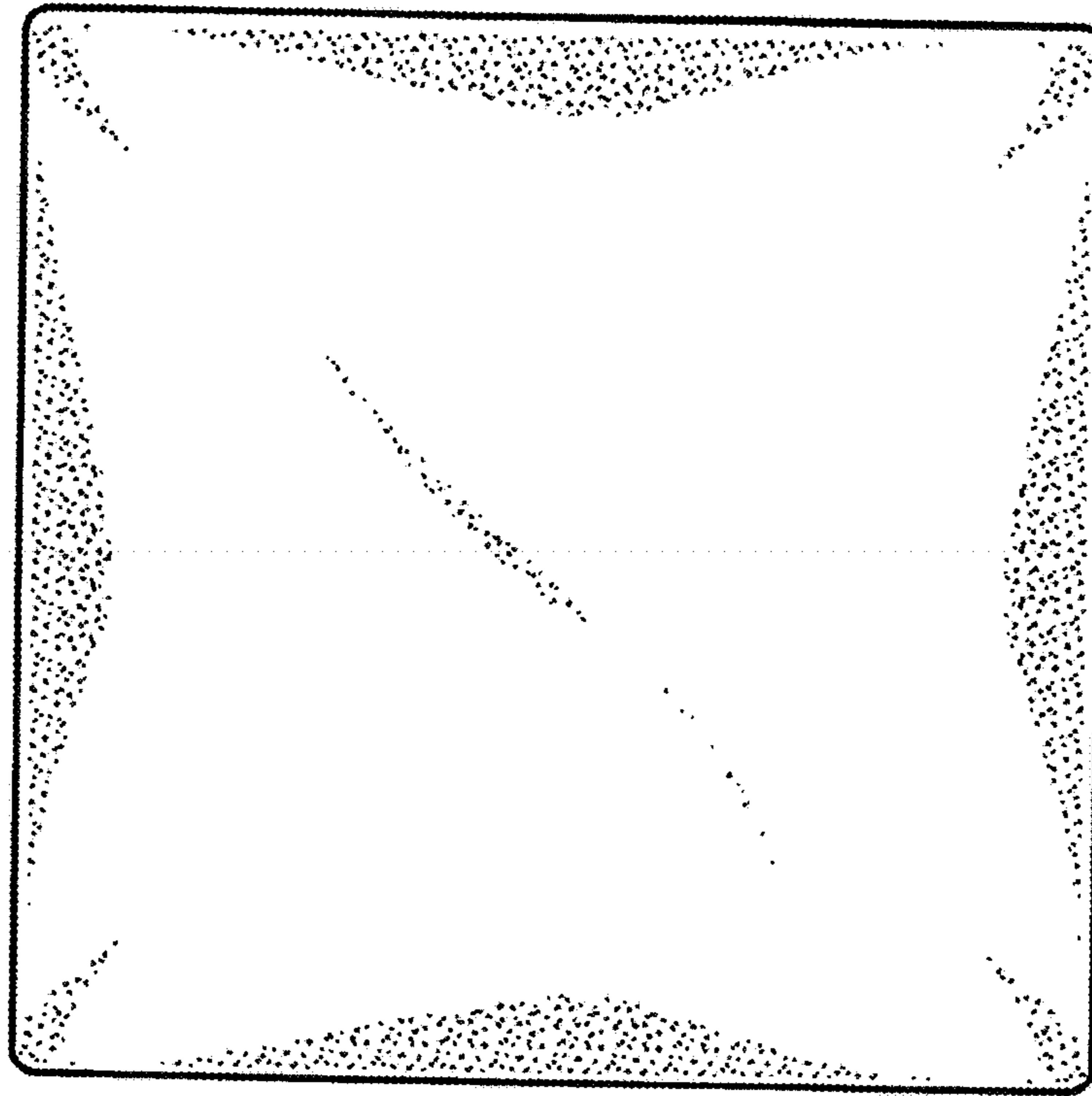


FIG. 6

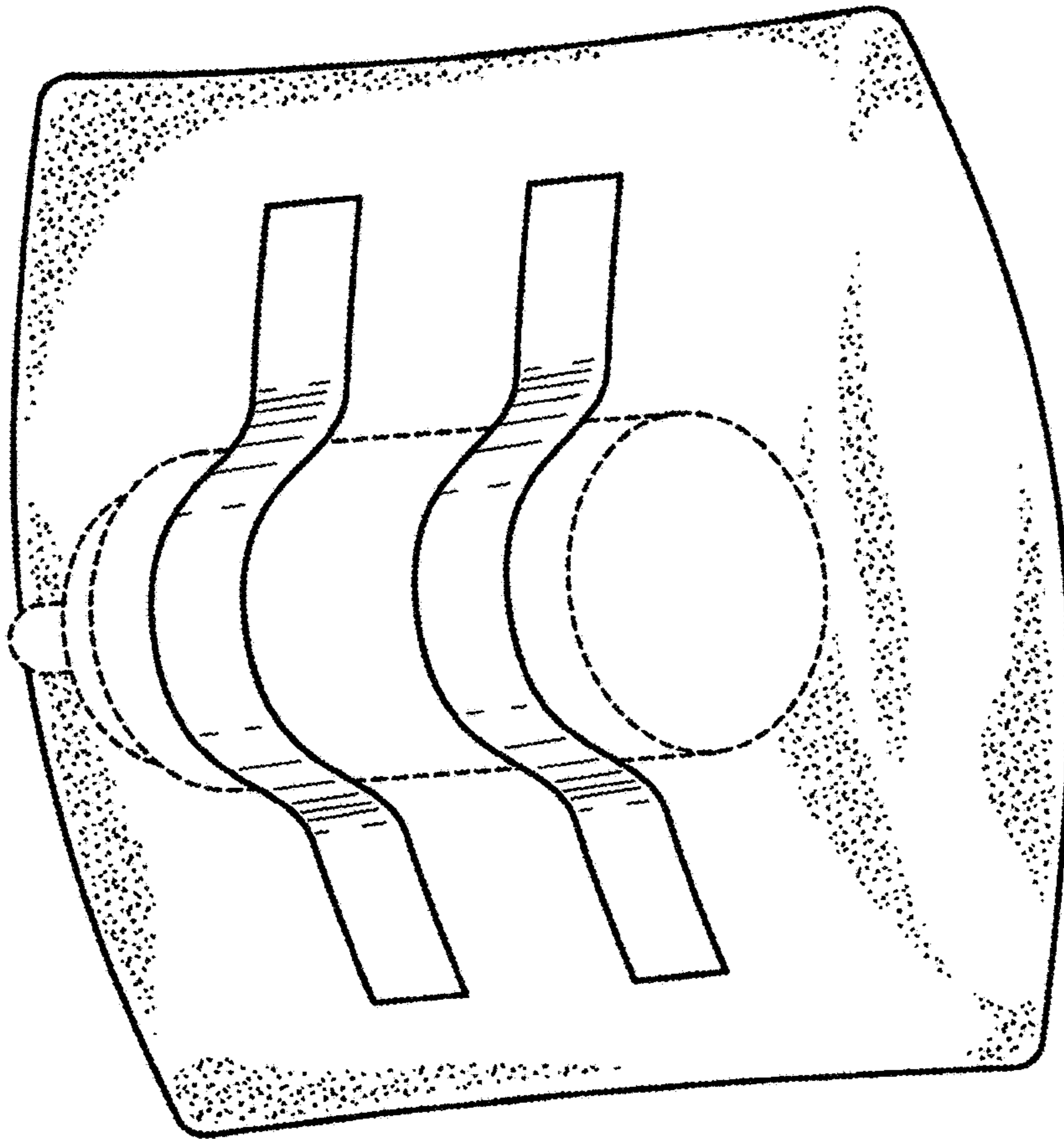


FIG. 8

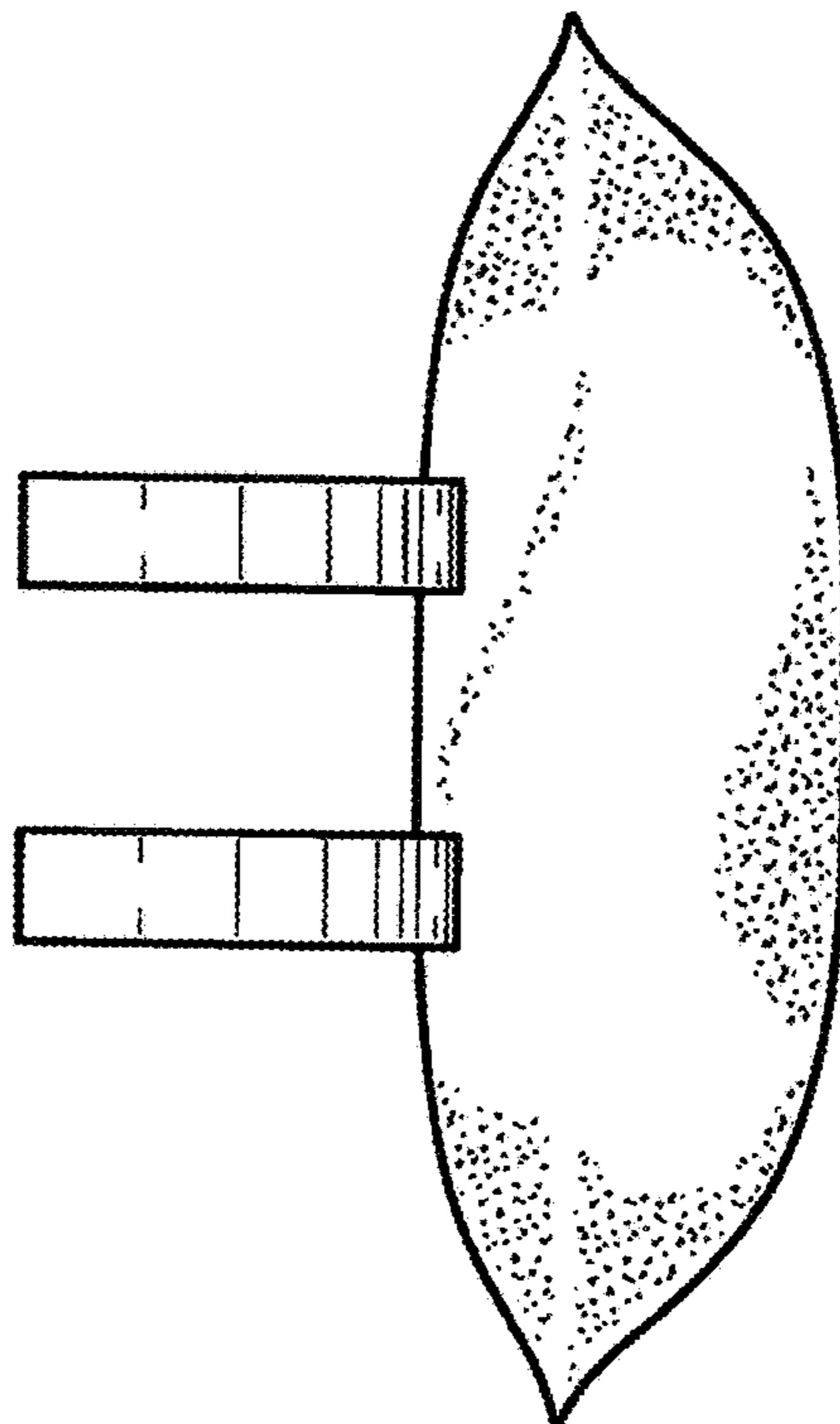


FIG. 7