

US00D860677S

(12) **United States Design Patent**
Chesterton

(10) **Patent No.:** **US D860,677 S**

(45) **Date of Patent:** **** Sep. 24, 2019**

(54) **WHEELED BOARD AND ACCESSORIES RACK**

(71) Applicant: **TANAWAA LLC**, Parker, CO (US)

(72) Inventor: **Nicholas Chesterton**, Chico, CA (US)

(**) Term: **15 Years**

(21) Appl. No.: **29/600,531**

(22) Filed: **Apr. 13, 2017**

Related U.S. Application Data

(62) Division of application No. 29/535,390, filed on Aug. 6, 2015, now Pat. No. Des. 786,580.

(51) **LOC (12) Cl.** **13-03**

(52) **U.S. Cl.**
USPC **D6/552**

(58) **Field of Classification Search**
USPC D6/552, 512-514, 553, 567, 572;
D8/354, 363, 372; 211/13.1, 86.01,
211/87.01, 182, 205-207; 248/309.1
CPC A47F 7/00; A47F 5/0838; A63C 17/01;
A63C 17/0006; A63C 17/015; A63C
11/00; A63C 11/006; A63C 17/265; A47B
81/00; A47B 73/004; A47B 81/005; A47B
87/0215; A47B 96/061

See application file for complete search history.

(56) **References Cited**

U.S. PATENT DOCUMENTS

D353,294 S 12/1994 Belokin et al.
6,293,412 B1 9/2001 Draper

D458,789 S 6/2002 Loika
D679,123 S 4/2013 Evangelista
D751,372 S 3/2016 Thompson et al.
D786,580 S * 5/2017 Chesterton D6/552
2017/0037660 A1* 2/2017 Chesterton E05B 73/0094

* cited by examiner

Primary Examiner — Wan Laymon

Assistant Examiner — Mark Booker

(74) *Attorney, Agent, or Firm* — Porzio Bromberg & Newman P.C.

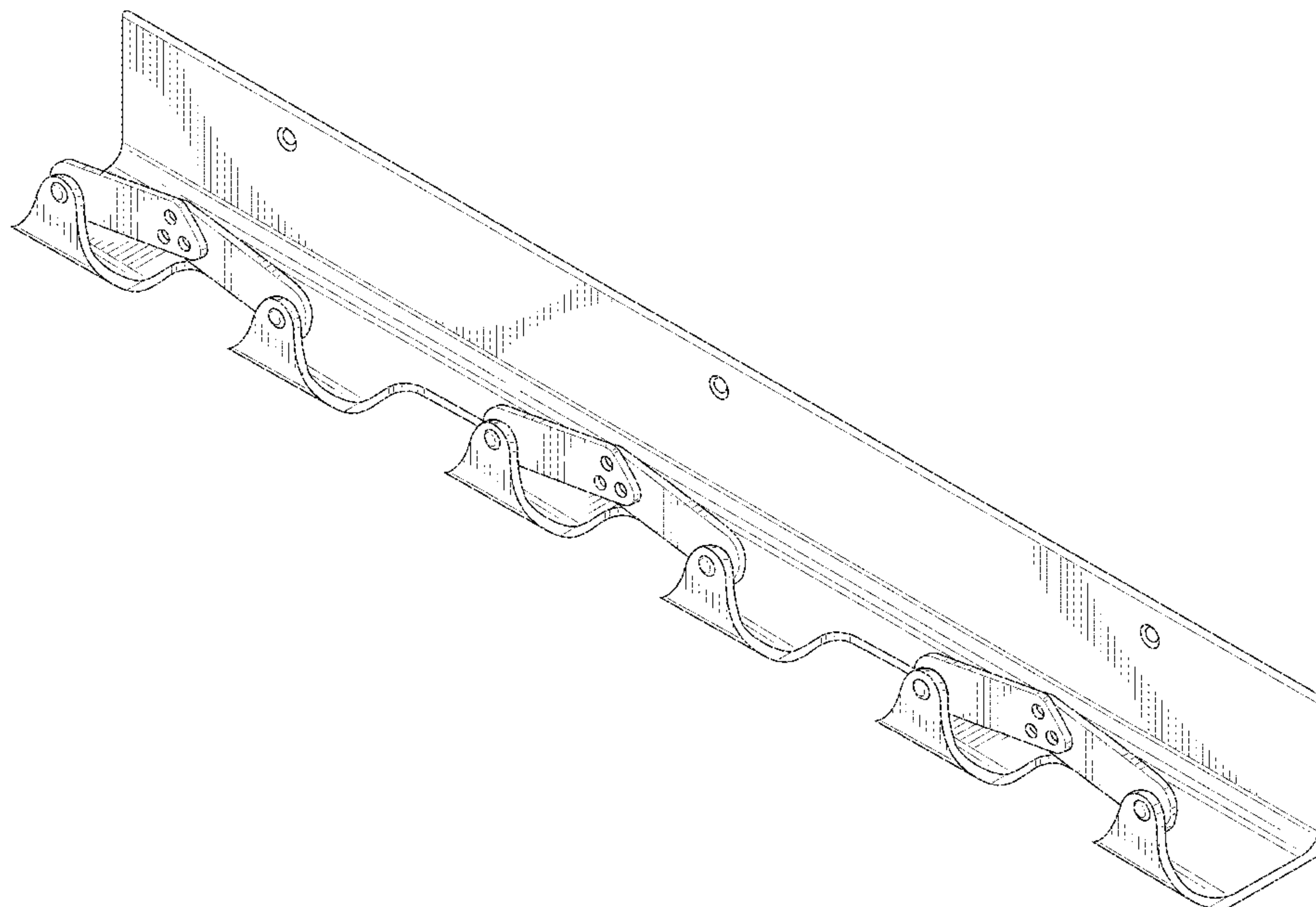
(57) **CLAIM**

The ornamental design for a wheeled board and accessories rack, as shown and described.

DESCRIPTION

FIG. 1 is a front perspective view of a wheeled board and accessories rack, showing my new design;
FIG. 2 is a front elevational view of FIG. 1;
FIG. 3 is a rear view of FIG. 1;
FIG. 4 is a right side view of FIG. 1;
FIG. 5 is a left side view of FIG. 1;
FIG. 6 is a top view of FIG. 1 and
FIG. 7 is a bottom view of FIG. 1.
FIG. 8 is a front perspective view of another wheeled board and accessories rack, showing my new design;
FIG. 9 is a front elevational view of FIG. 8;
FIG. 10 is a rear view of FIG. 8;
FIG. 11 is a right side view of FIG. 8;
FIG. 12 is a left side view of FIG. 8;
FIG. 13 is a top view of FIG. 8; and,
FIG. 14 is a bottom view of FIG. 8.

1 Claim, 8 Drawing Sheets



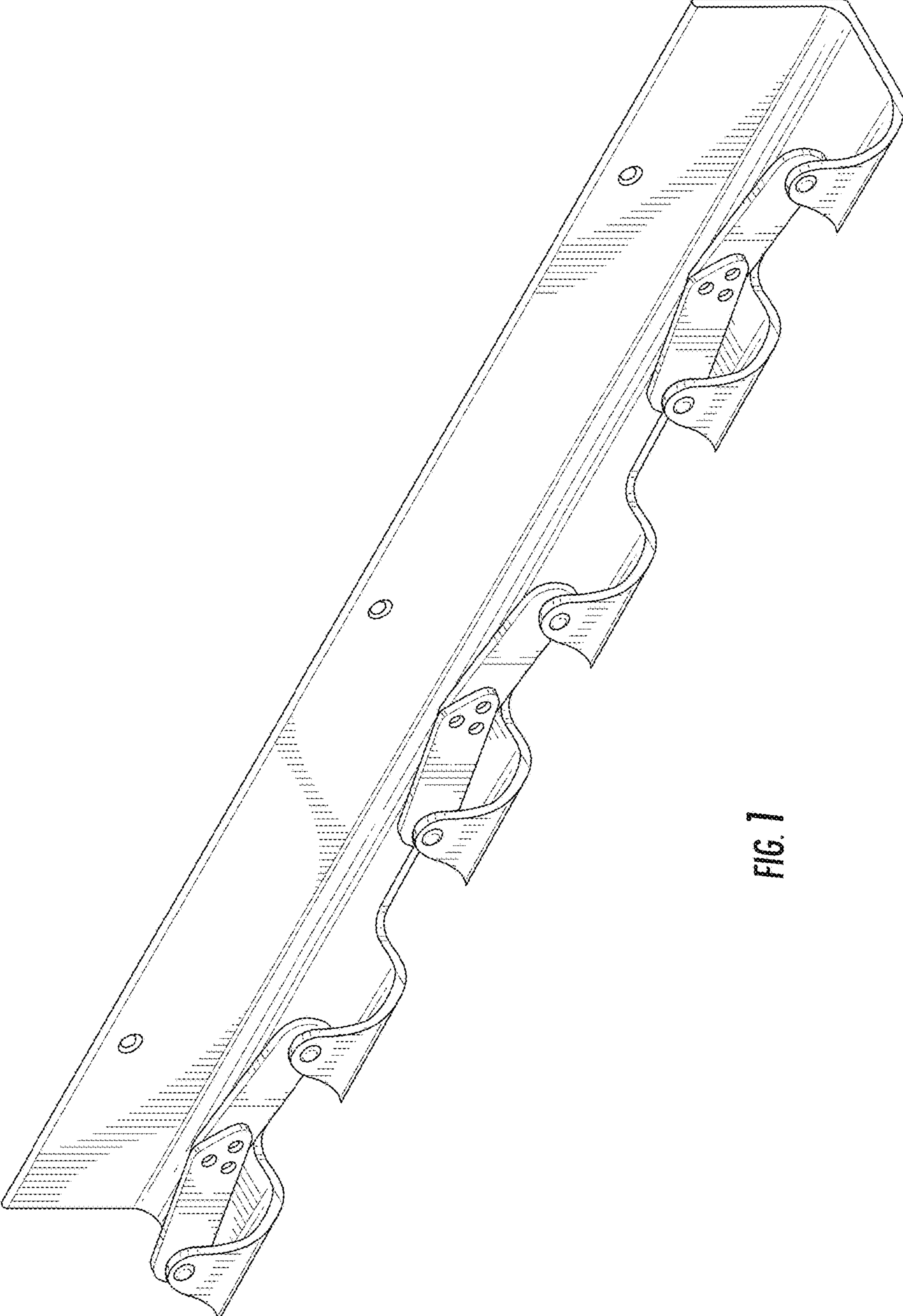


FIG. 1

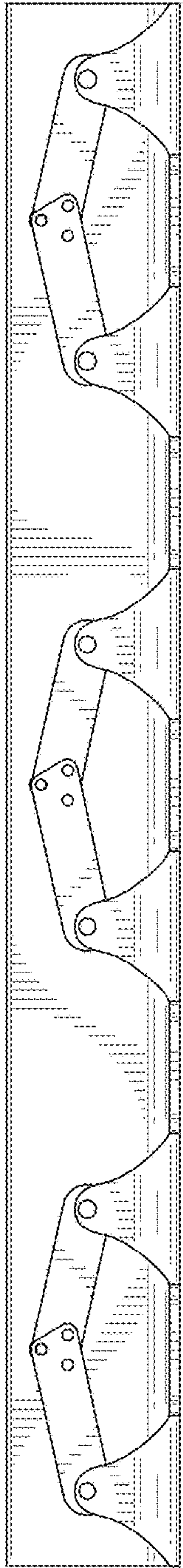


FIG. 2

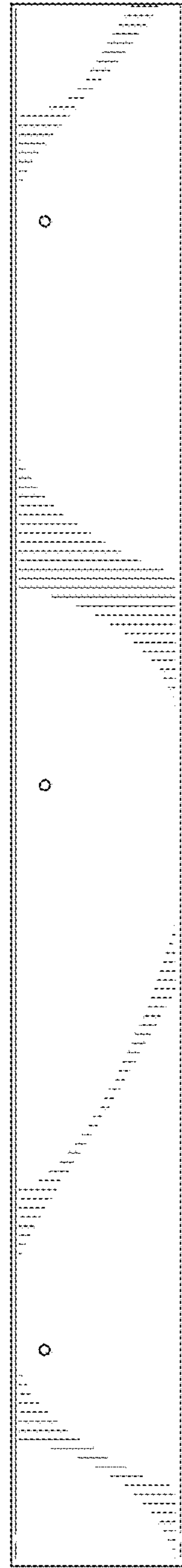


FIG. 3

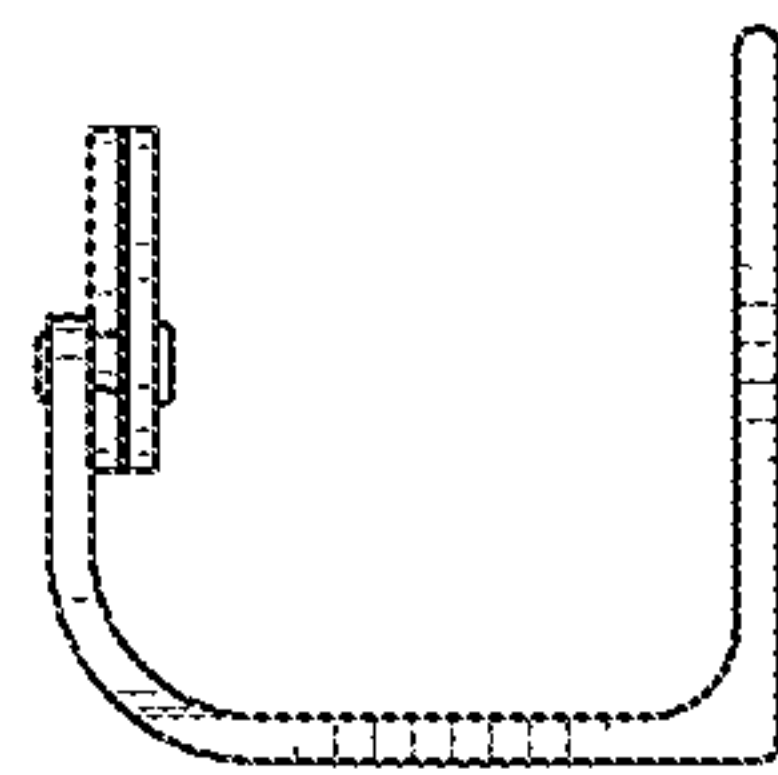


FIG. 4

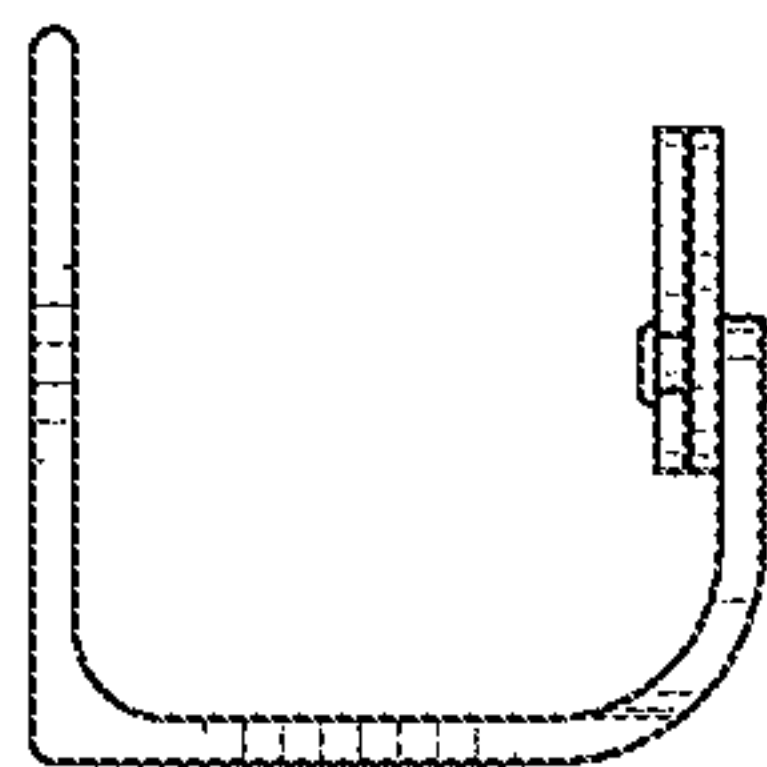


FIG. 5

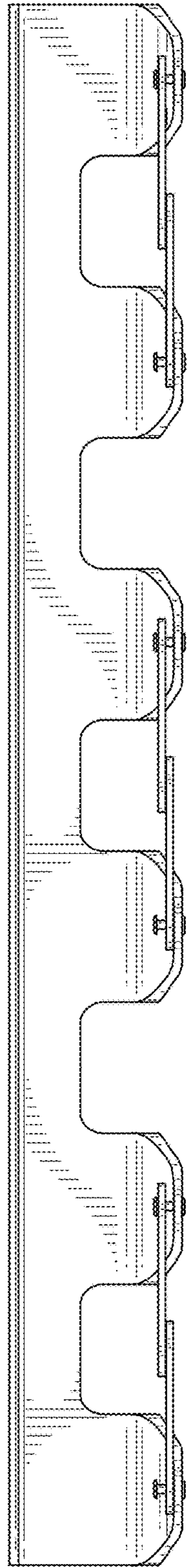


FIG. 6

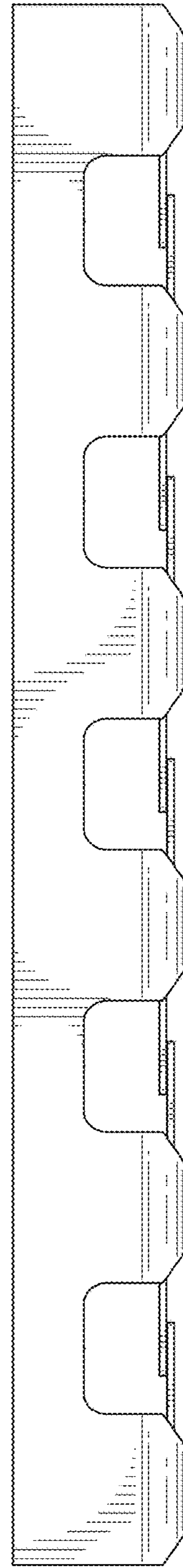


FIG. 7

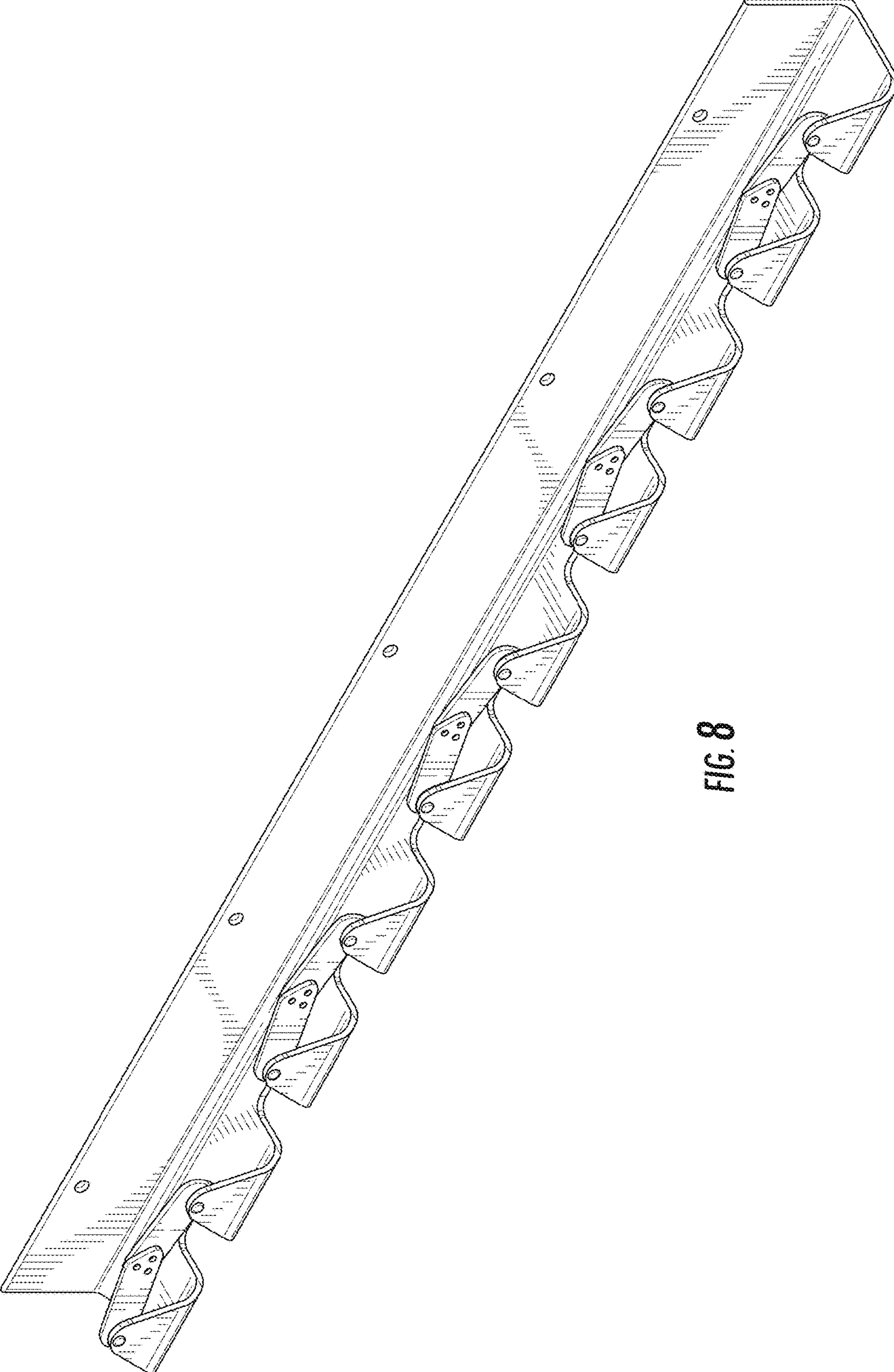


FIG. 8

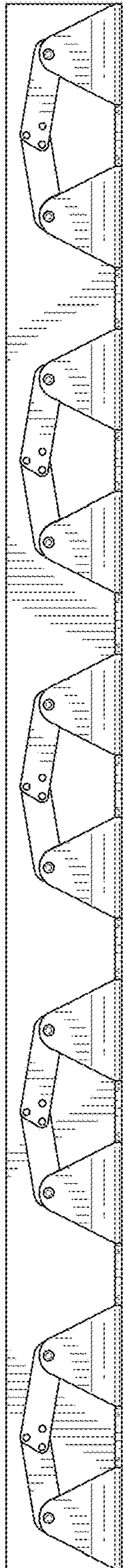


FIG. 9

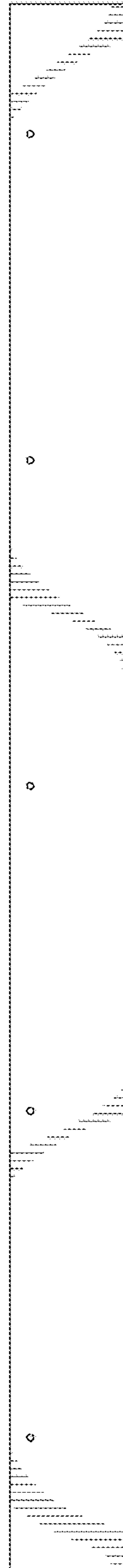


FIG. 10

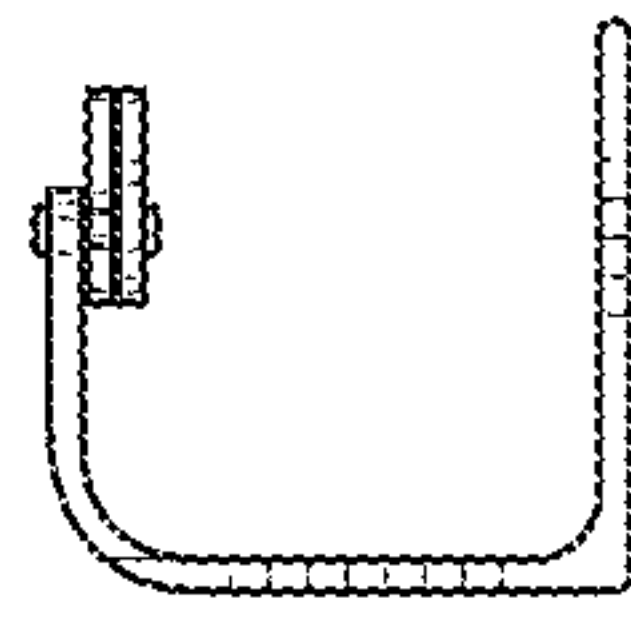


FIG. 11

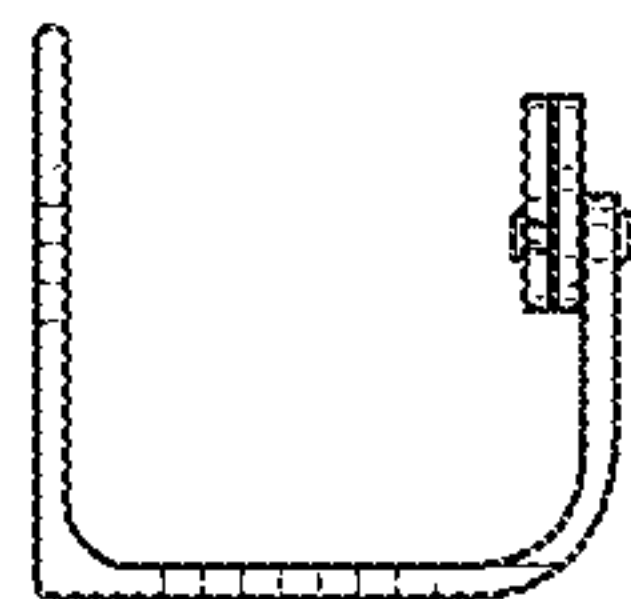


FIG. 12

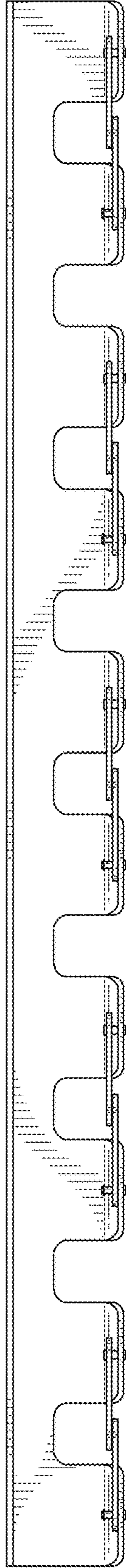


FIG. 13

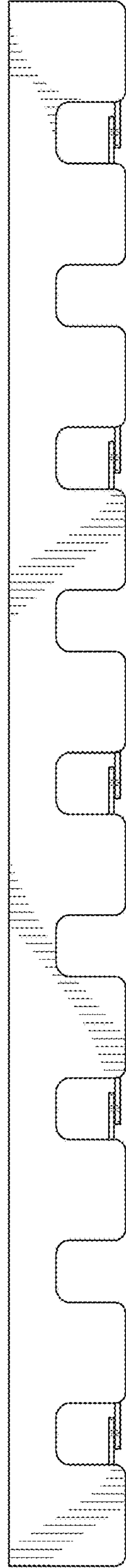


FIG. 14