



US00D860676S

(12) **United States Design Patent** (10) **Patent No.:** **US D860,676 S**
Khamphilapanyo (45) **Date of Patent:** **** Sep. 24, 2019**

(54) **DISPENSER MOUNTING HOLE PATTERN**

(71) Applicant: **GOJO Industries, Inc.**, Akron, OH (US)

(72) Inventor: **Touby Khamphilapanyo**, Garfield Heights, OH (US)

(73) Assignee: **GOJO Industries, Inc.**, Akron, OH (US)

(**) Term: **15 Years**

(21) Appl. No.: **29/590,245**

(22) Filed: **Jan. 9, 2017**

(51) **LOC (12) Cl.** **23-02**

(52) **U.S. Cl.**
USPC **D6/545**

(58) **Field of Classification Search**
USPC D6/545, 542-544, 515-523; D9/682, D9/688, 690, 291, 448, 449; 221/14, 221/146.3, 173, 181.1, 181.3, 251, 282, 221/208, 283; 222/628, 105, 173, 180, 222/181.1, 181.2, 181.3
CPC . B67D 1/001; B67D 1/06; A47K 7/04; A47K 5/14; A47K 5/1217; A47K 5/12; B05B 11/3087; B05B 7/0037
See application file for complete search history.

(56) **References Cited**

U.S. PATENT DOCUMENTS

D530,125 S *	10/2006	Vignot	D6/545
D634,143 S *	3/2011	Burkett	D6/545
D666,035 S *	8/2012	Velazquez	D6/518
D686,845 S *	7/2013	Brink	D6/525
8,746,510 B2 *	6/2014	Cittadino	A47K 5/1202
				222/156
D780,473 S *	3/2017	Brownley	D6/515

D781,064 S *	3/2017	Brownley	D6/515
D790,872 S *	7/2017	Ku	D6/518
D793,118 S *	8/2017	Li	D6/518
D801,074 S *	10/2017	Brownley	D6/515
D809,821 S *	2/2018	Moore	D6/545

* cited by examiner

Primary Examiner — Wan Laymon

Assistant Examiner — Mark Booker

(74) *Attorney, Agent, or Firm* — Calfee, Halter & Griswold LLP

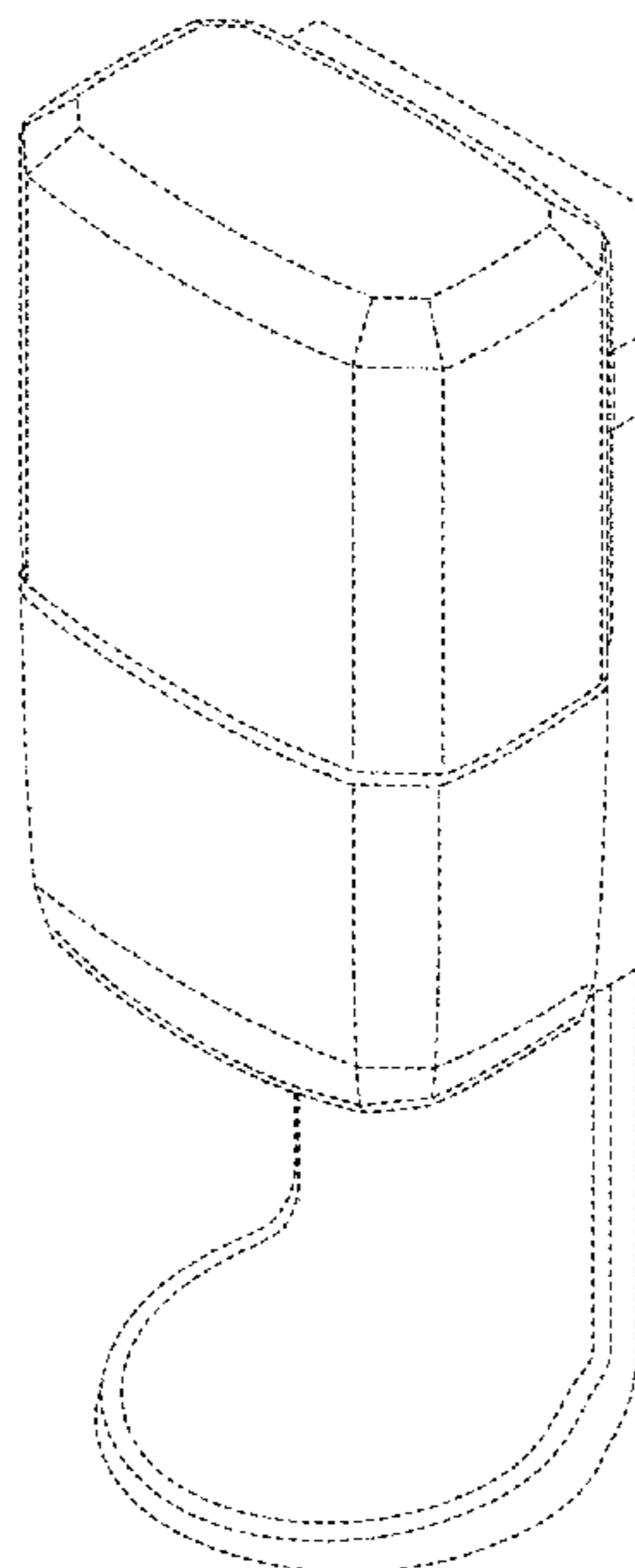
(57) **CLAIM**

The ornamental design for a dispenser mounting hole pattern, as shown and described.

DESCRIPTION

FIG. 1 is a perspective view of an exemplary dispenser providing context for the new design;
FIG. 2 is a front elevational view of the exemplary dispenser providing context for the new design;
FIG. 3 is a back elevational view of the dispenser mounting hole pattern of the dispenser;
FIG. 4 is a right side elevational view of the exemplary dispenser providing context for the new design;
FIG. 5 is a left side elevational view of the exemplary dispenser providing context for the new design;
FIG. 6 is a top plan view of the exemplary dispenser providing context for the new design; and,
FIG. 7 is a top bottom view of the exemplary dispenser providing context for the new design.
The broken lines shown in the figures represent portions of the dispenser mounting hole pattern that form no part of the claimed design.

1 Claim, 6 Drawing Sheets



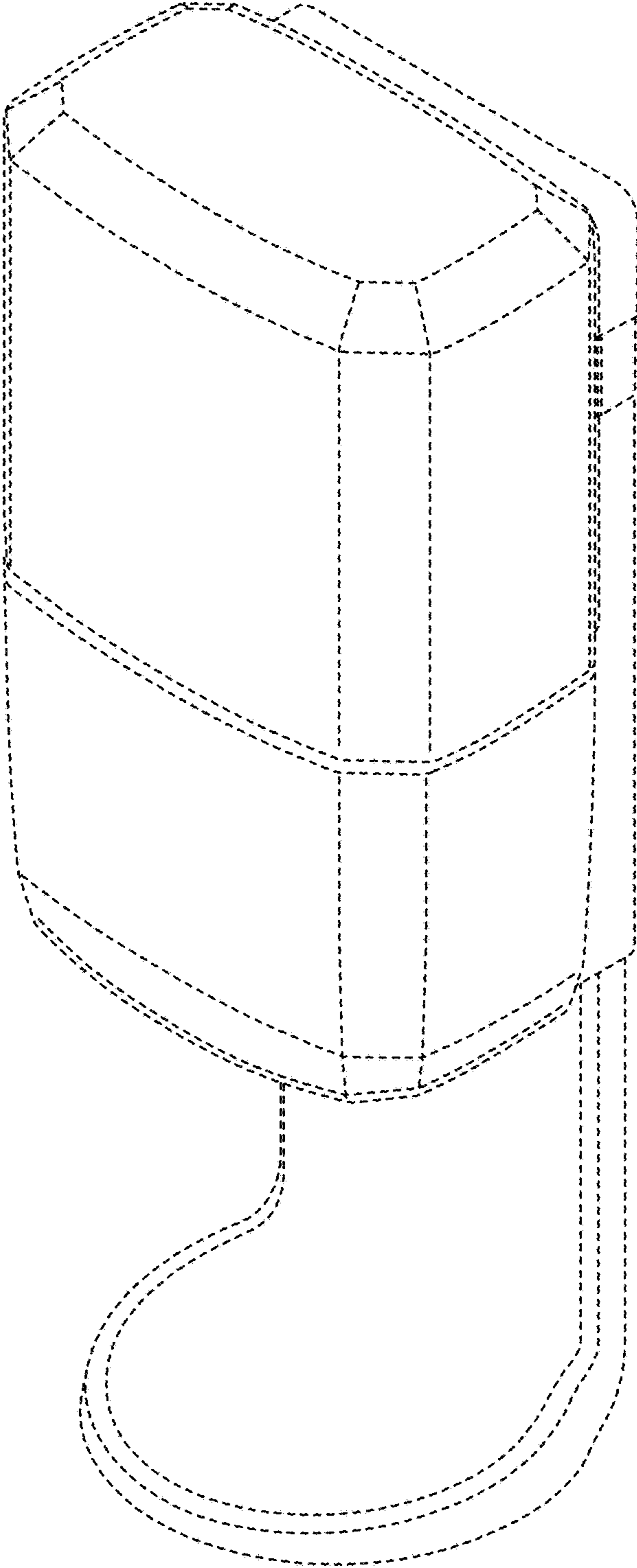


FIG. 1

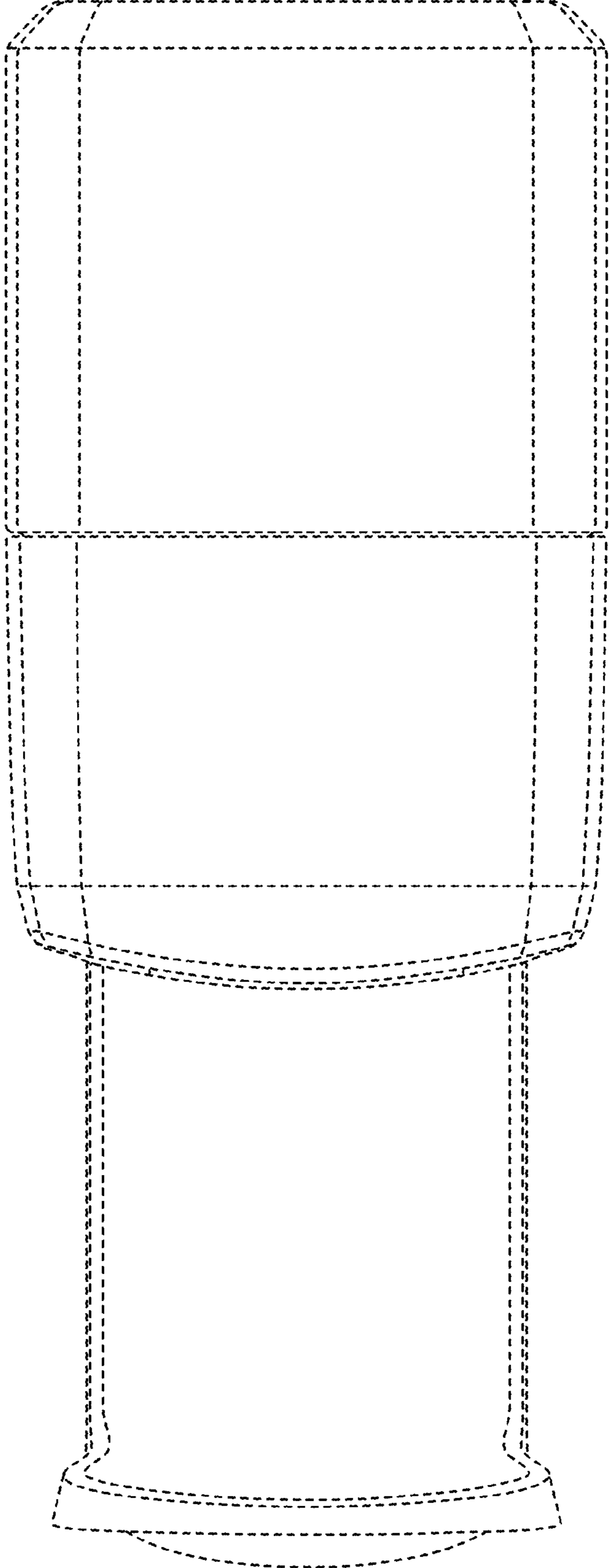


FIG. 2

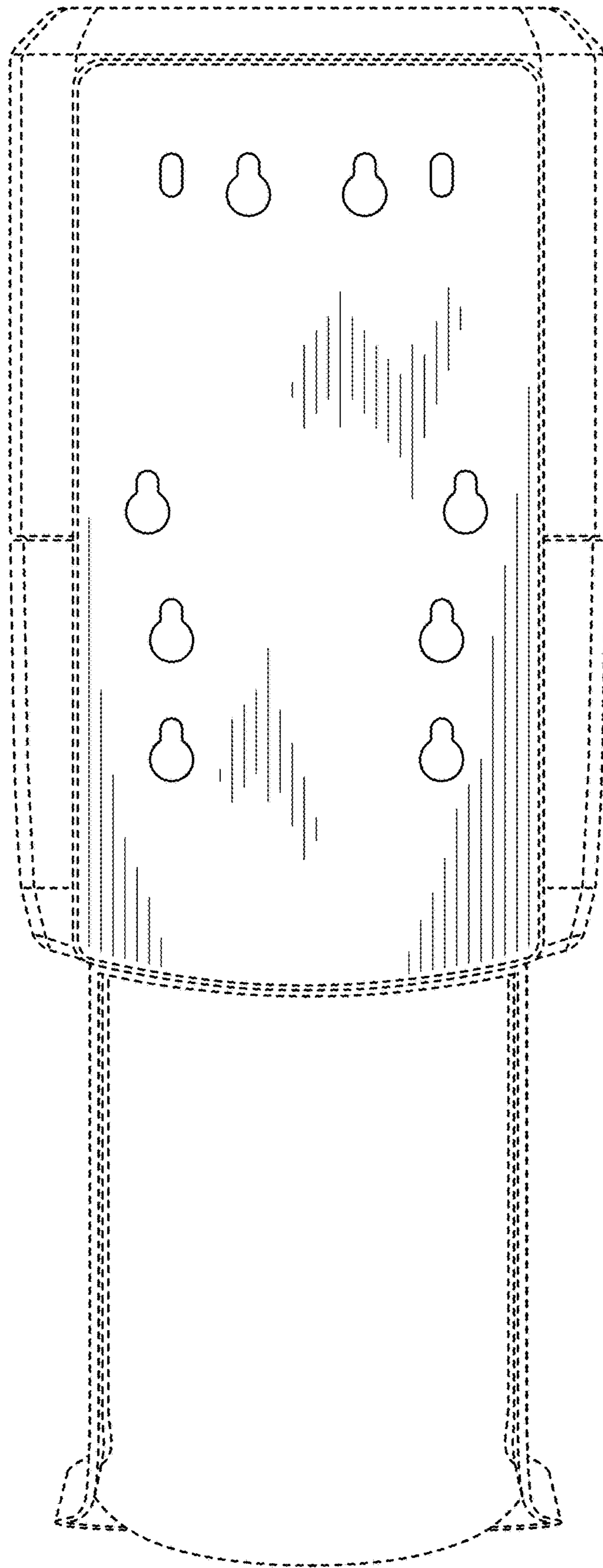


FIG. 3

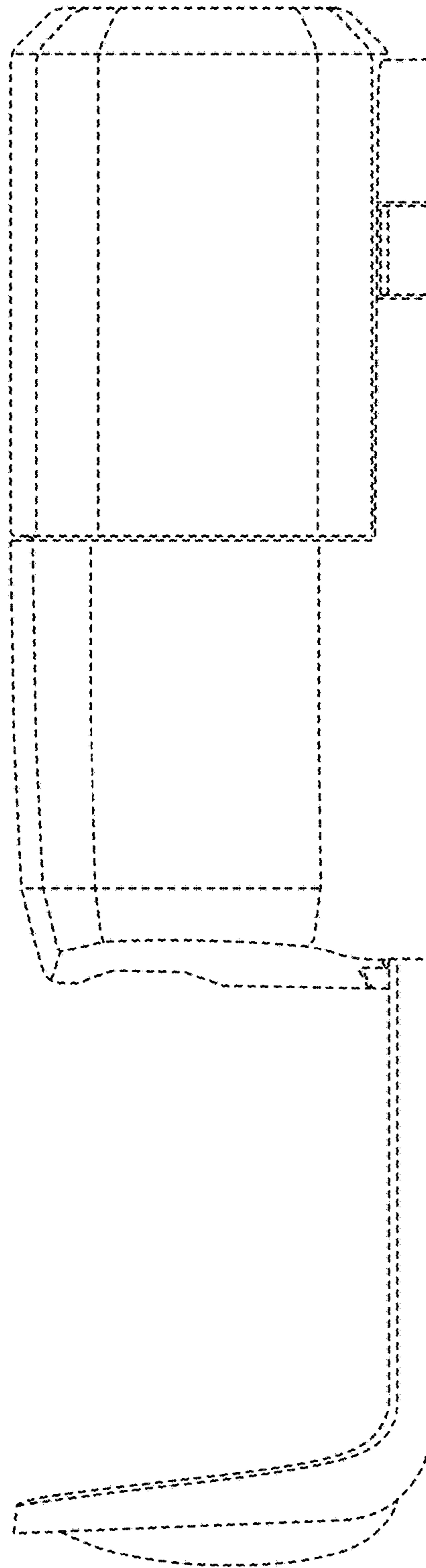


FIG. 4

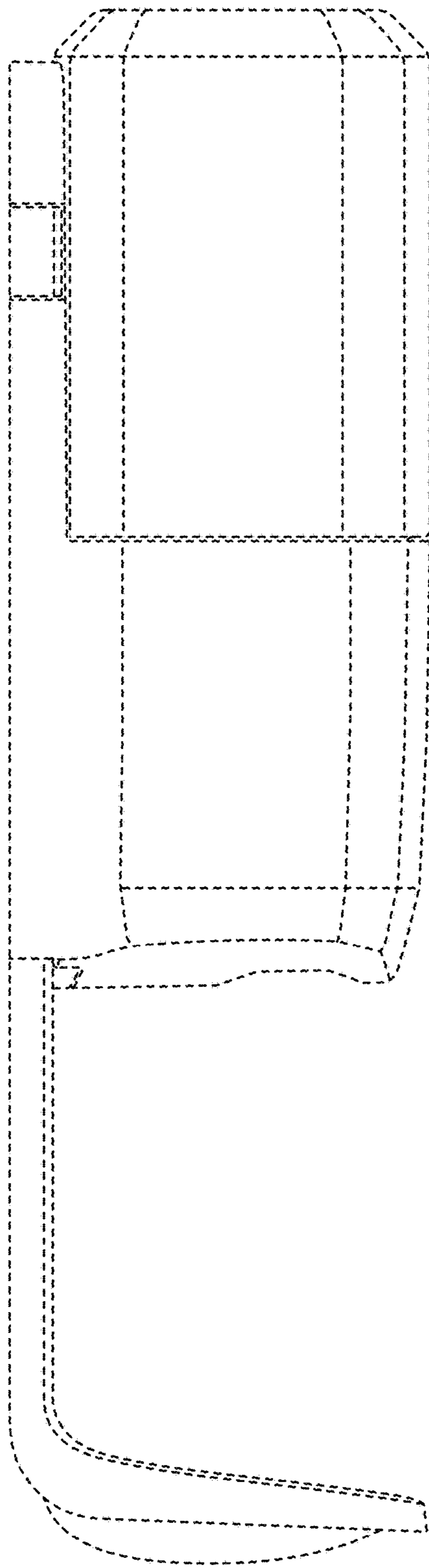


FIG. 5

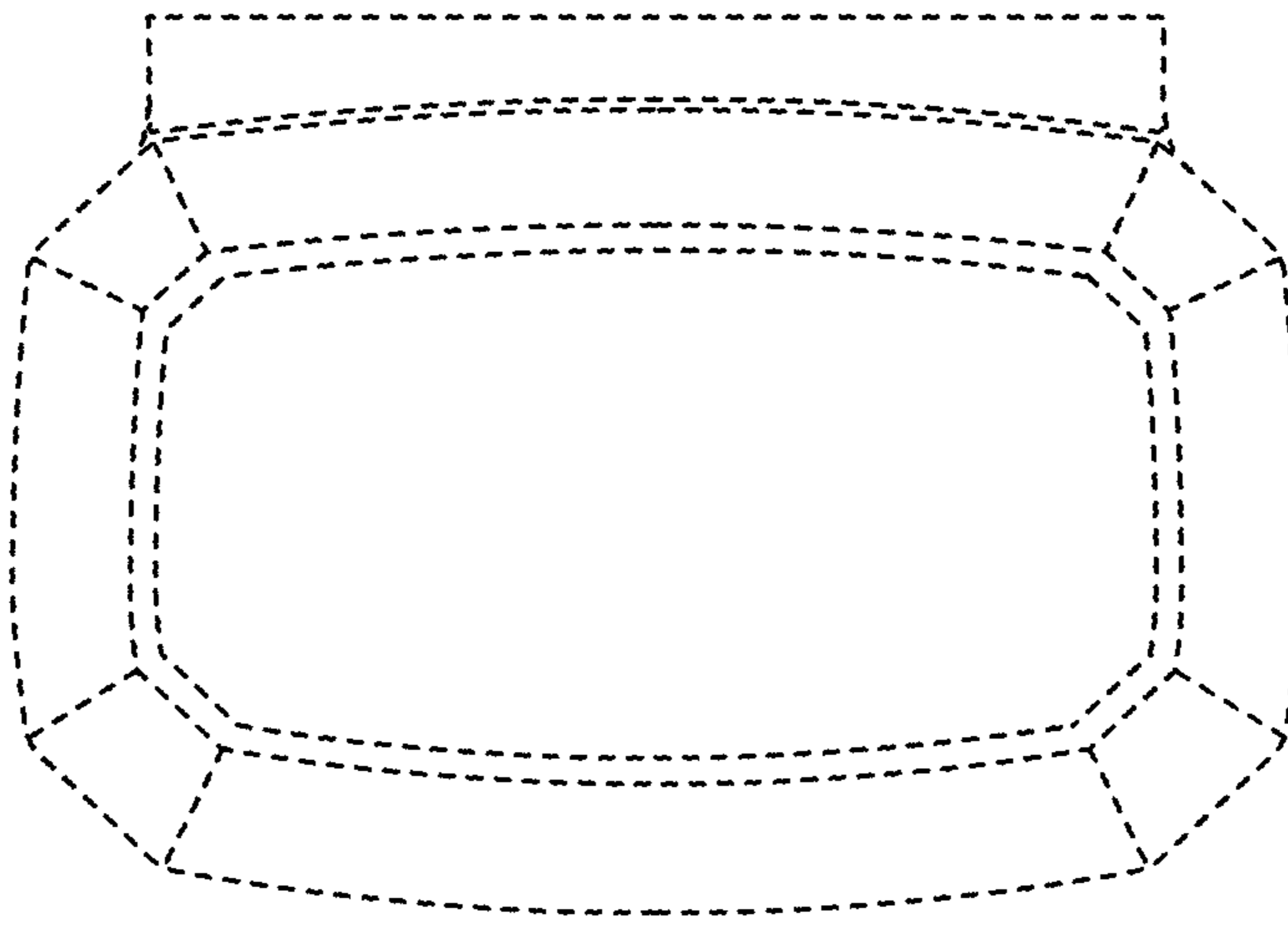


FIG. 6

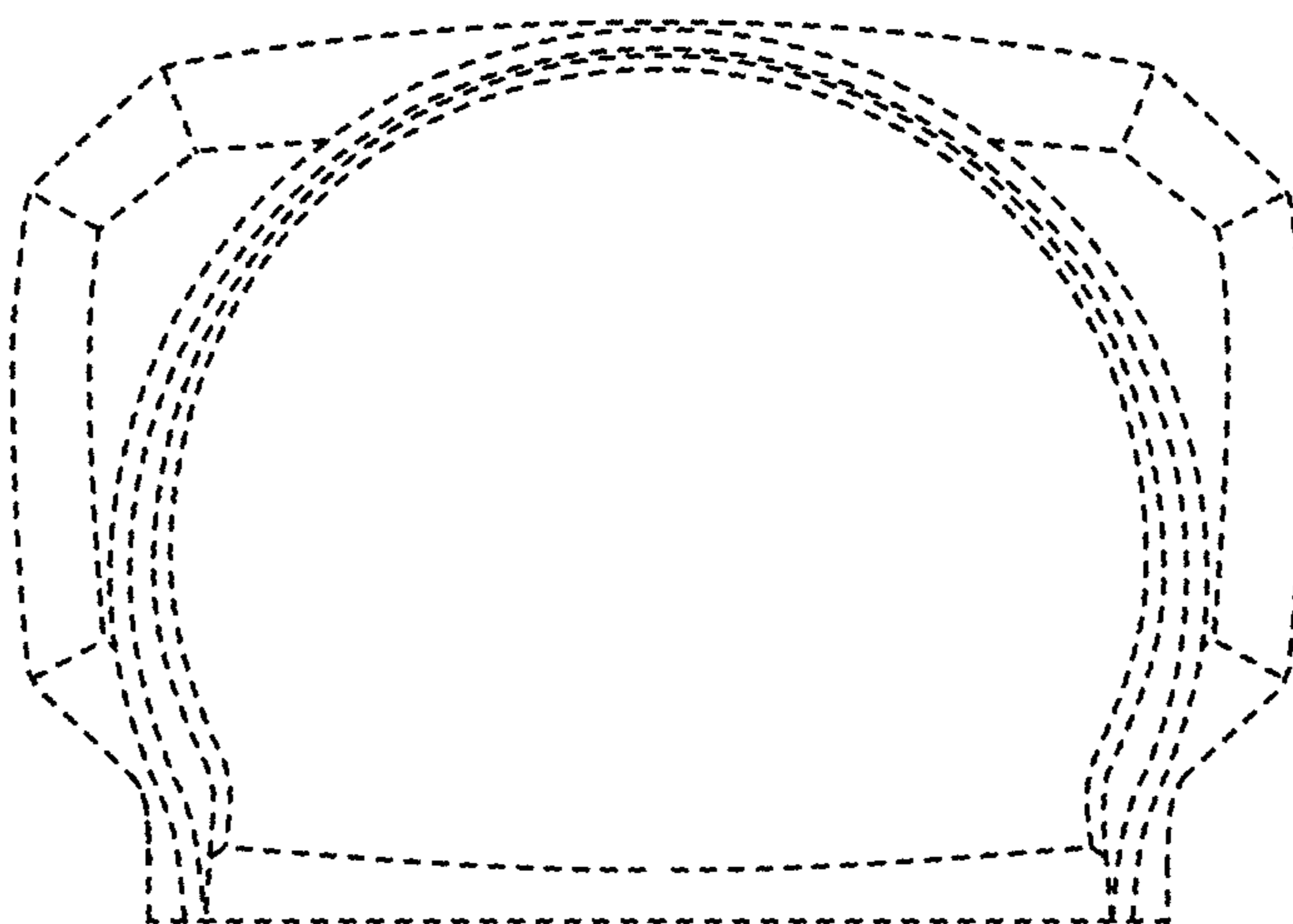


FIG. 7