



US00D860673S

(12) **United States Design Patent** (10) **Patent No.:** **US D860,673 S**
Sinclair (45) **Date of Patent:** **** Sep. 24, 2019**

(54) **USER INTERFACE OF A PRODUCT DISPENSER CHASSIS**

D490,935 S * 6/2004 Zadro D28/77
D623,453 S * 9/2010 Benedetti D6/518
D658,604 S * 5/2012 Egawa D13/180

(Continued)

(71) Applicant: **GPCP IP Holdings LLC**, Atlanta, GA (US)

(72) Inventor: **Aaron Lee Sinclair**, Tyrone, GA (US)

(73) Assignee: **GPCP IP HOLDINGS LLC**, Atlanta, GA (US)

(**) Term: **15 Years**

(21) Appl. No.: **29/592,799**

(22) Filed: **Feb. 2, 2017**

(51) **LOC (12) Cl.** **20-02**

(52) **U.S. Cl.**
USPC **D6/520**

(58) **Field of Classification Search**

USPC D6/520, 515-519, 521-523, 309, 310;
206/225, 233, 389, 391, 77.1; 211/13.1,
211/173, 180, 45, 86.01, 87.02, 87.01;
221/26, 33, 282, 283, 14, 92, 105, 173, 1;
222/180, 281-282; 242/570, 590;
248/309.1, 309.2, 904; D13/162;
D15/9.1, 9.2; D24/101; D26/28;
D21/789, 791, 792, 386, 478, 479, 484,
D21/485-505; D28/77; D7/500, 544,
D7/545, 560, 565, 584, 585, 553.2, 392.1;
D3/306
CPC ... A63B 57/40; A63B 57/357; A63B 69/3676;
A63B 63/00; A63B 63/007; A47K
10/424; A47K 10/42; A47K 10/24; A47G
19/03; A47G 19/00

See application file for complete search history.

(56) **References Cited**

U.S. PATENT DOCUMENTS

D314,829 S * 2/1991 Brock D25/113
D343,086 S * 1/1994 Wood D6/520

OTHER PUBLICATIONS

Design U.S. Appl. No. 29/578,911, filed Sep. 26, 2016, Entitled "Dispenser".

(Continued)

Primary Examiner — Wan Laymon
Assistant Examiner — Mark Booker

(74) *Attorney, Agent, or Firm* — Nelson Mullins Riley & Scarborough LLP

(57) **CLAIM**

The ornamental design for a user interface of a product dispenser chassis, as shown and described.

DESCRIPTION

FIG. 1 is a perspective view of a user interface of a product dispenser chassis in accordance with an embodiment of the present invention;

FIG. 2 is a front view of the user interface of a product dispenser chassis of FIG. 1;

FIG. 3 is a back view of the user interface of a product dispenser chassis of FIG. 1;

FIG. 4 is a top view of the user interface of a product dispenser chassis of FIG. 1;

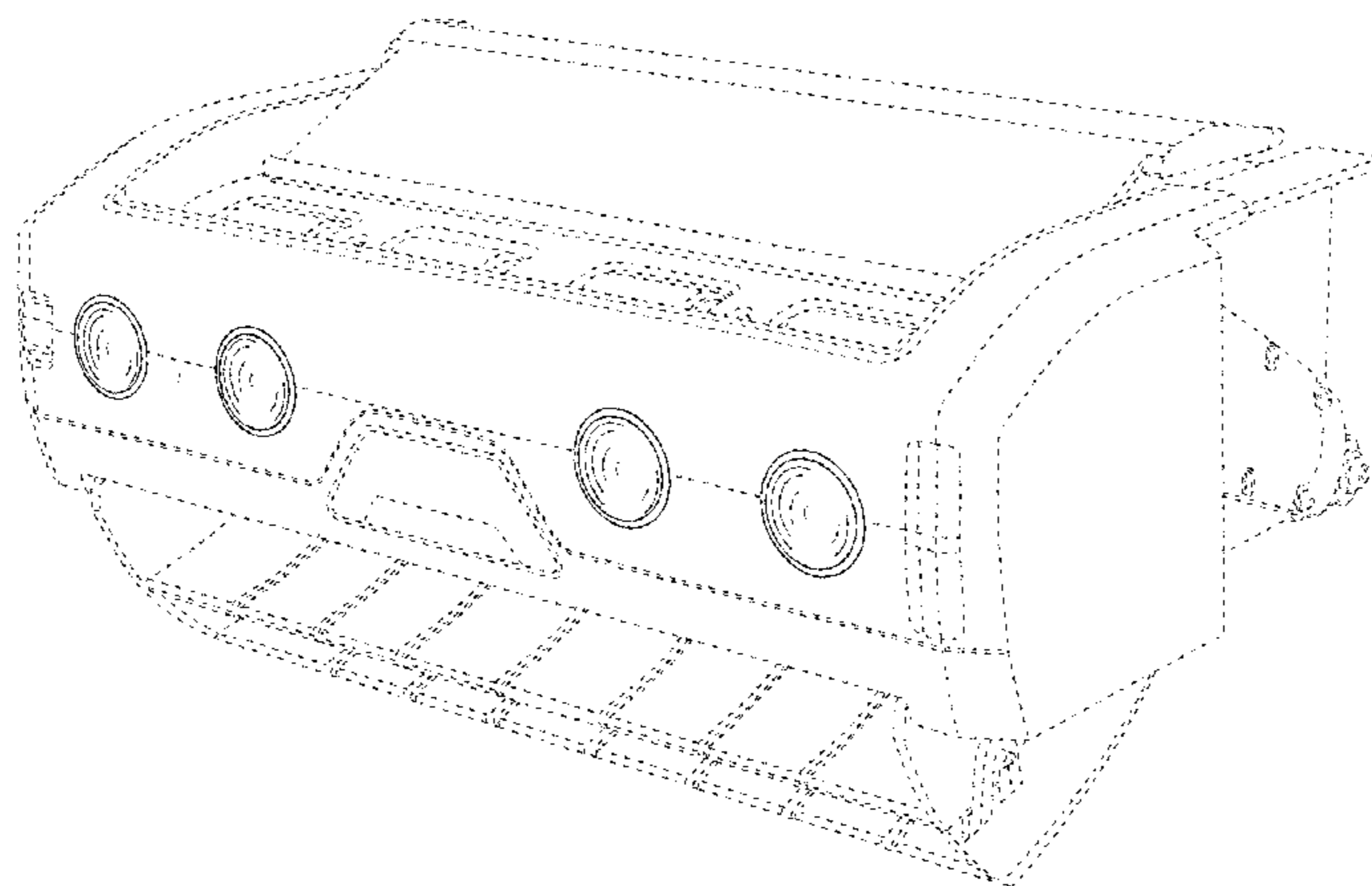
FIG. 5 is a bottom view of the user interface of a product dispenser chassis of FIG. 1;

FIG. 6 is a right side view of the user interface of a product dispenser chassis of FIG. 1; and,

FIG. 7 is a left side view of the user interface of a product dispenser chassis of FIG. 1.

The broken lines shown in the figures represent portions of the user interface of a product dispenser chassis that form no part of the claimed design. The broken lines shown in the figures also represent portions of the product dispenser chassis that form no part of the claimed design.

1 Claim, 7 Drawing Sheets



(56)

References Cited

U.S. PATENT DOCUMENTS

D681,649 S 5/2013 Fletcher et al.
 D690,720 S 10/2013 Waldman
 D706,283 S 6/2014 Pedraza Padilla et al.
 D716,325 S 10/2014 Brudnicki
 D716,327 S 10/2014 Schoger et al.
 D721,084 S 1/2015 Kimball et al.
 D746,295 S 12/2015 Arai et al.
 D746,828 S 1/2016 Arai et al.
 D748,648 S 2/2016 Kim et al.
 D750,101 S 2/2016 Bates et al.
 D751,108 S 3/2016 Caldwell
 D754,446 S * 4/2016 Yang D6/309
 D754,686 S 4/2016 Mandeville
 D755,201 S 5/2016 Kim
 D760,729 S 7/2016 Cole
 D760,761 S 7/2016 Willis
 D763,288 S 8/2016 Mistry et al.
 D764,491 S 8/2016 Green et al.
 D764,516 S 8/2016 Lamparelli
 D767,297 S 9/2016 Madsen et al.
 D773,202 S 12/2016 Madsen et al.
 D775,195 S 12/2016 Caldwell et al.
 D775,497 S * 1/2017 Roche D7/631
 D778,292 S 2/2017 Mochizuki et al.
 D780,303 S * 2/2017 Kassouni D24/101
 D780,870 S * 3/2017 Hamilton A63B 57/40
 D784,360 S 4/2017 Harder et al.
 D784,361 S 4/2017 Graham et al.
 D787,526 S 5/2017 Lee et al.
 D787,527 S 5/2017 Wilberding
 D787,536 S 5/2017 Pantelis
 D787,552 S 5/2017 Napper et al.
 D788,165 S 5/2017 Bunyard et al.

D788,792 S 6/2017 Alessandri et al.
 D794,649 S 8/2017 Nijjima et al.
 D794,666 S 8/2017 Havaladar et al.
 D795,903 S 8/2017 Chen et al.
 D796,520 S 9/2017 Klar et al.
 D797,765 S 9/2017 Su et al.
 D798,311 S 9/2017 Golden et al.
 D798,316 S 9/2017 Bradley et al.
 D798,886 S 10/2017 Prophete et al.
 D799,498 S 10/2017 Graham et al.
 D800,144 S 10/2017 Anderson
 D801,347 S 10/2017 Zhu et al.
 D801,349 S 10/2017 Day et al.
 D801,350 S 10/2017 Rejkowski et al.
 D801,986 S 11/2017 Pirklbauer
 D801,992 S 11/2017 Fischbach
 D802,008 S 11/2017 Zhang et al.
 D802,603 S 11/2017 Bickel et al.
 D803,230 S 11/2017 Jaini et al.
 D803,233 S 11/2017 Wilberding
 D803,234 S 11/2017 Day et al.
 D803,247 S 11/2017 Mistry et al.
 D803,870 S 11/2017 Landry et al.
 D804,492 S 12/2017 Graham et al.
 D807,076 S * 1/2018 Kapiloff D6/520
 2017/0042390 A1 * 2/2017 Rubenson A47K 10/44

OTHER PUBLICATIONS

Design U.S. Appl. No. 29/578,913, filed Sep. 26, 2016, Entitled "Dispenser".
 Design U.S. Appl. No. 29/578,917, filed Sep. 26, 2016, Entitled "Dispenser".
 Design U.S. Appl. No. 29/577,330, filed Sep. 12, 2016, Entitled "Dispenser".

* cited by examiner

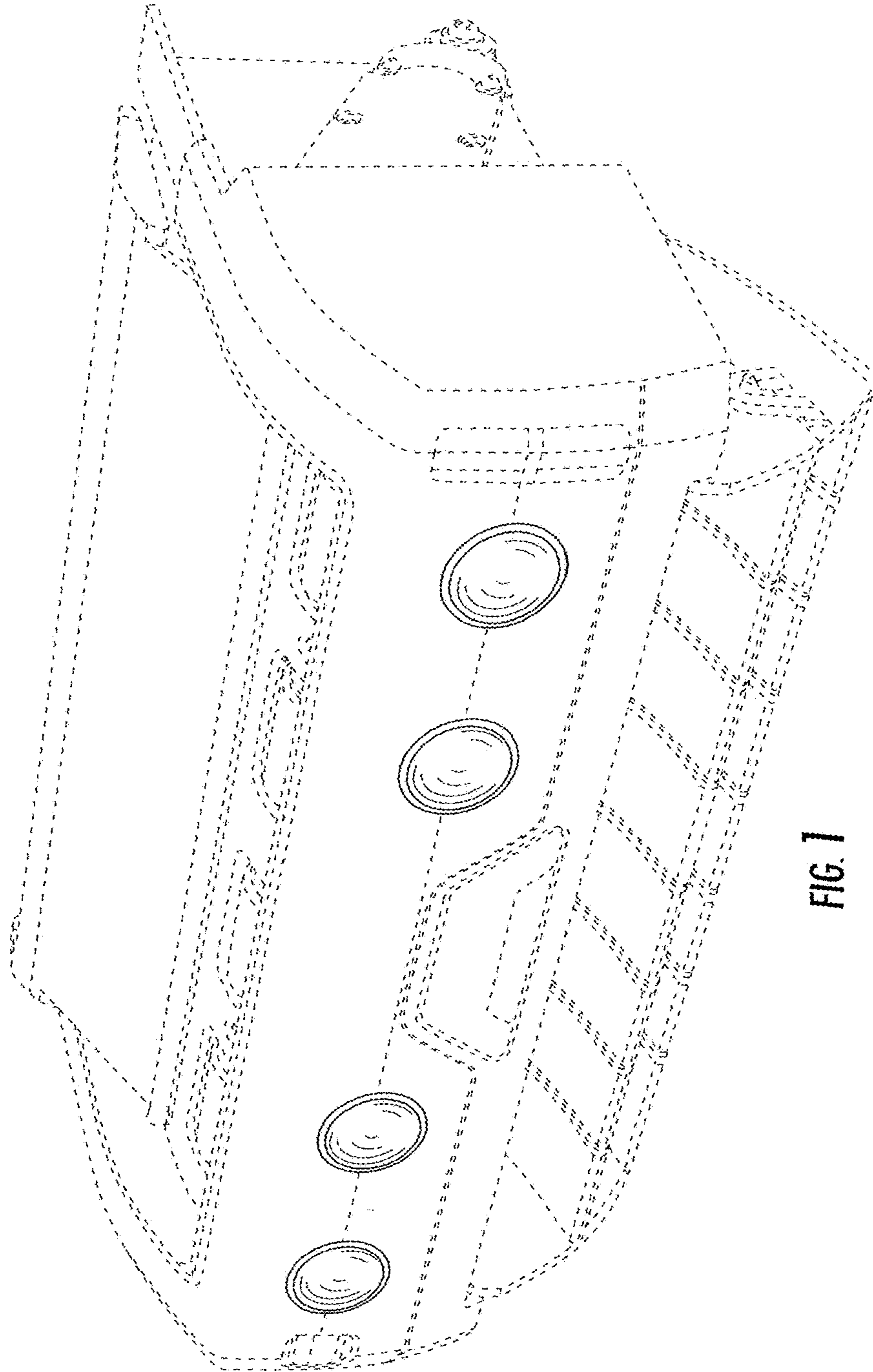


FIG. 1

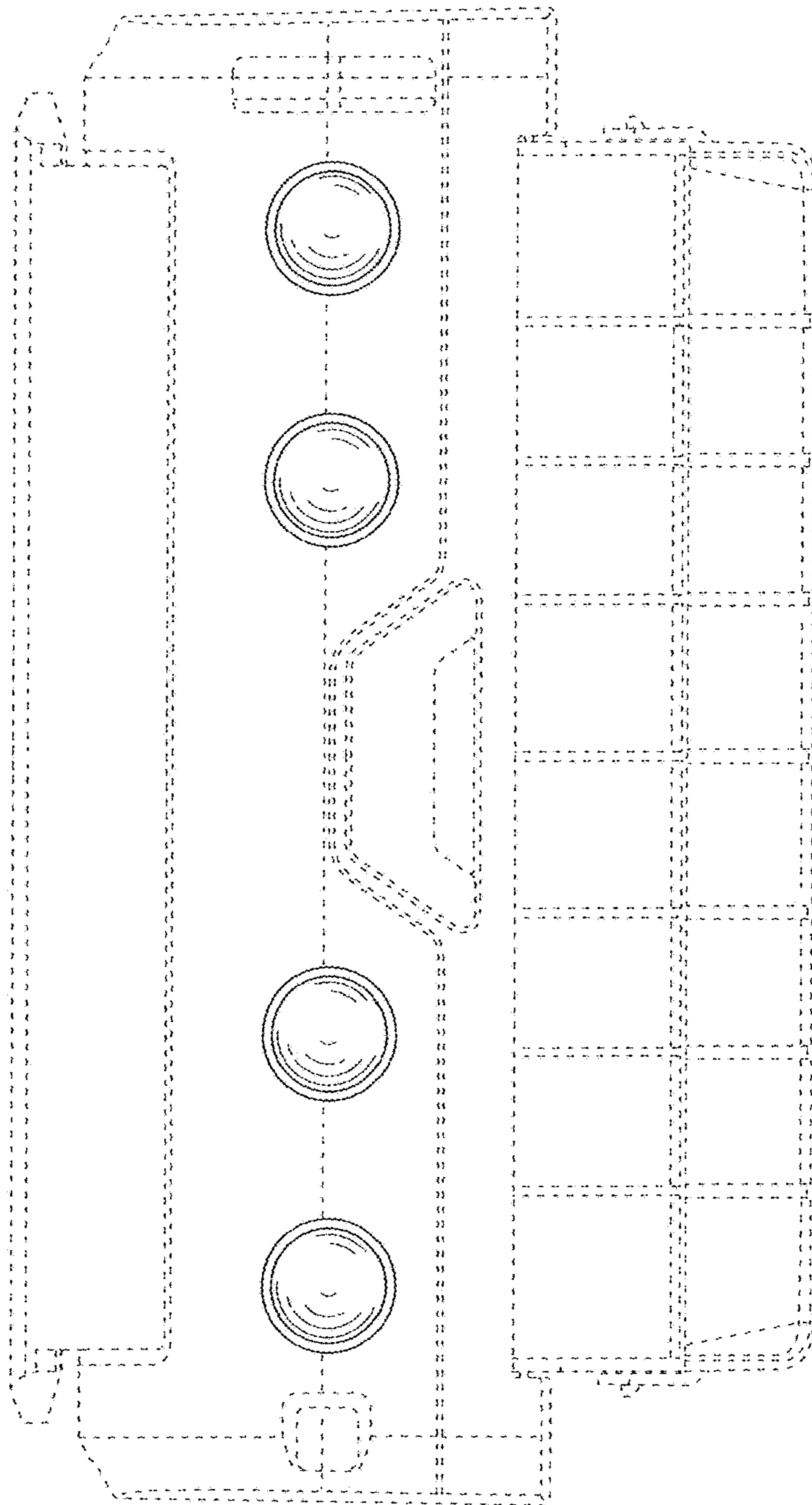


FIG. 2

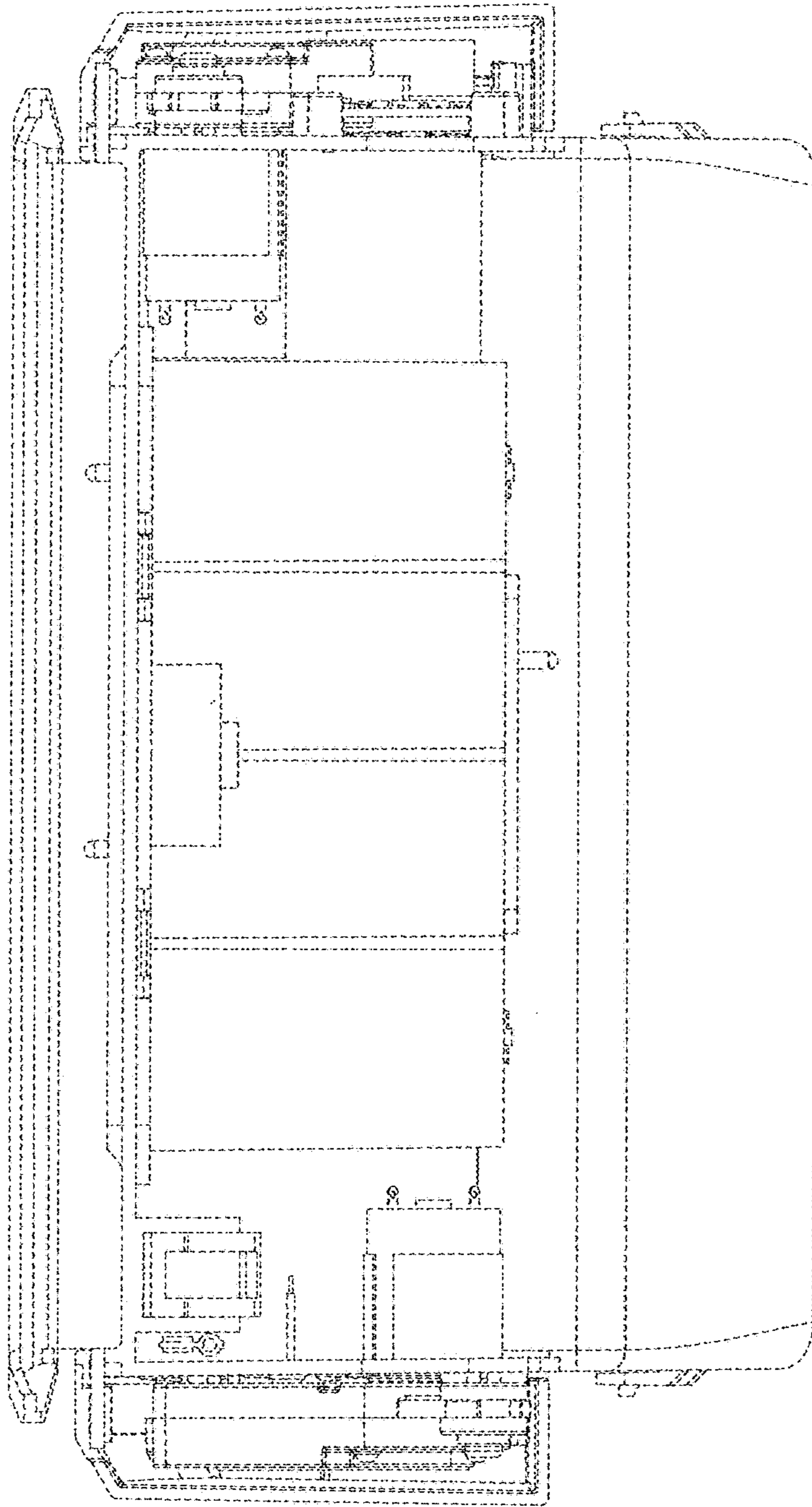


FIG. 3

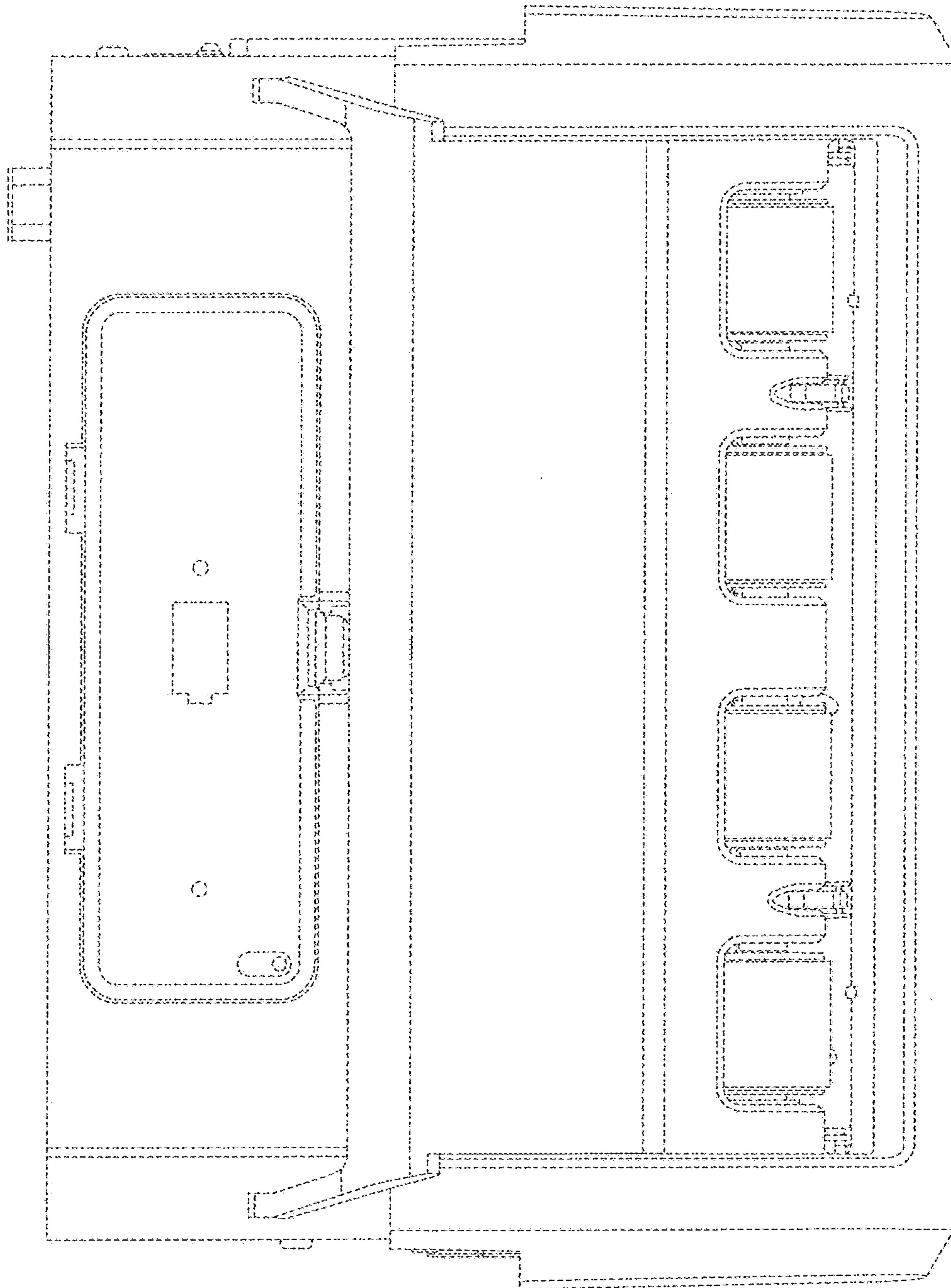


FIG. 4

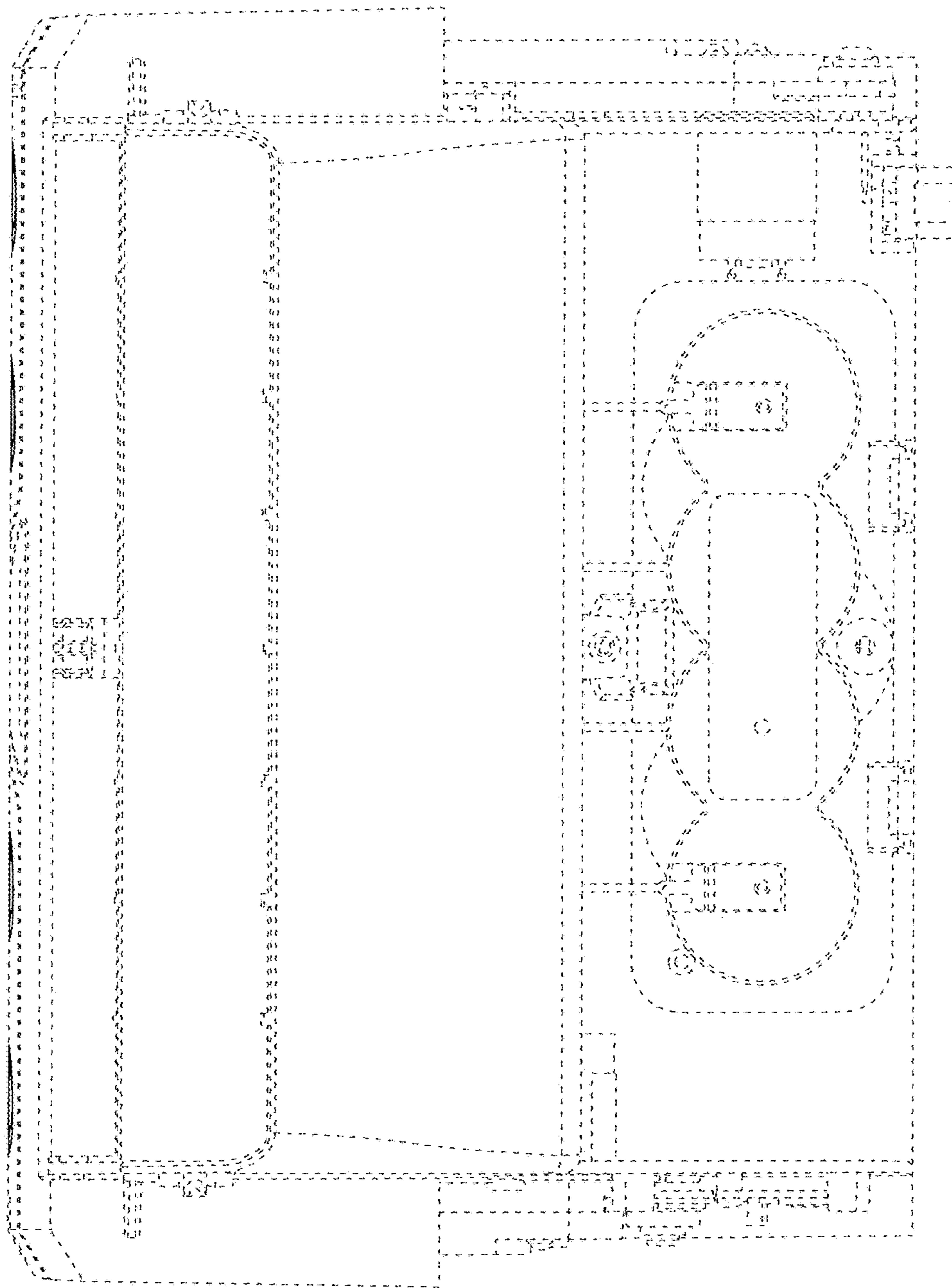


FIG. 5

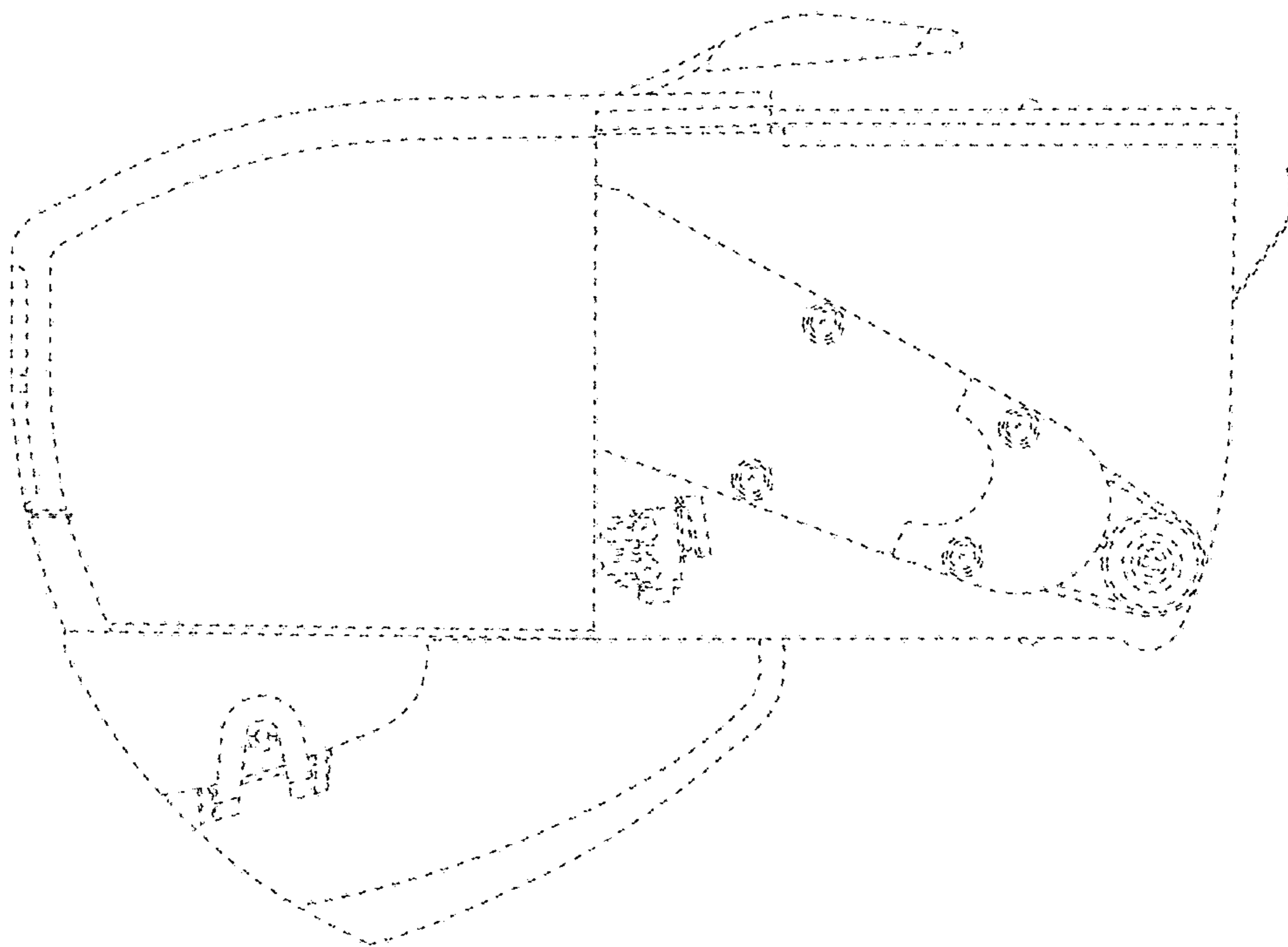


FIG. 6

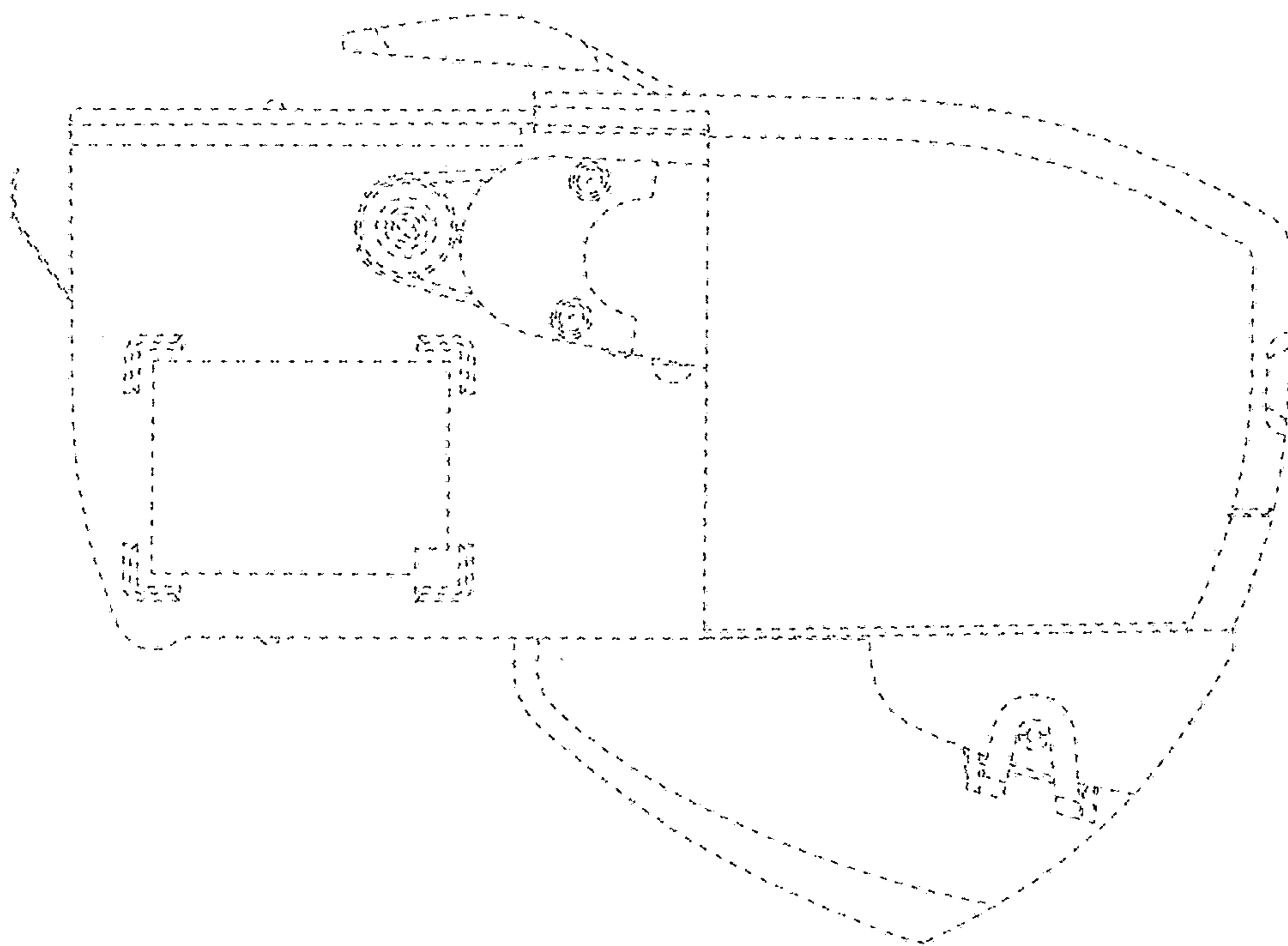


FIG. 7