



US00D860672S

(12) **United States Design Patent** (10) **Patent No.:** **US D860,672 S**
Cross (45) **Date of Patent:** **** Sep. 24, 2019**

(54) **TOWER NAPKIN DISPENSER**
(71) Applicant: **GPCP IP HOLDINGS LLC**, Atlanta, GA (US)
(72) Inventor: **Brandon Seth Cross**, Atlanta, GA (US)
(73) Assignee: **GPCP IP HOLDINGS LLC**, Atlanta, GA (US)

8,608,023 B2 12/2013 Case et al.
D701,434 S 3/2014 Wilson, Jr.
D775,497 S * 1/2017 Roche D7/631
D832,061 S * 10/2018 Albrecht D7/632
2011/0174834 A1 7/2011 Case et al.
2014/0217112 A1 8/2014 Young et al.
2015/0014344 A1 1/2015 Formon et al.
(Continued)

(**) Term: **15 Years**
(21) Appl. No.: **29/619,779**

FOREIGN PATENT DOCUMENTS
CA 2537707 C 4/2010
CA 2576416 C 2/2016
EM 000148747-0001 6/2004
(Continued)

(22) Filed: **Oct. 2, 2017**
(51) **LOC (12) Cl.** **07-06**
(52) **U.S. Cl.**
USPC **D6/518**
(58) **Field of Classification Search**
USPC D7/518, 519-525, 542-545, 553, 567,
D7/574, 631-634, 637-641; D9/733,
D9/734; 206/49.1, 50, 77.1, 233, 409,
206/449, 494; 211/13.1, 86.01, 87.01;
221/14, 30-60, 92, 146.1, 208, 227, 279,
221/282, 284, 649; D6/518
CPC A47K 10/24; A47K 10/42; A47K 10/426;
A47K 10/427
See application file for complete search history.

Primary Examiner — Wan Laymon
Assistant Examiner — Mark Booker

(56) **References Cited**

(57) **CLAIM**

The ornamental design for a tower napkin dispenser, as shown and described.

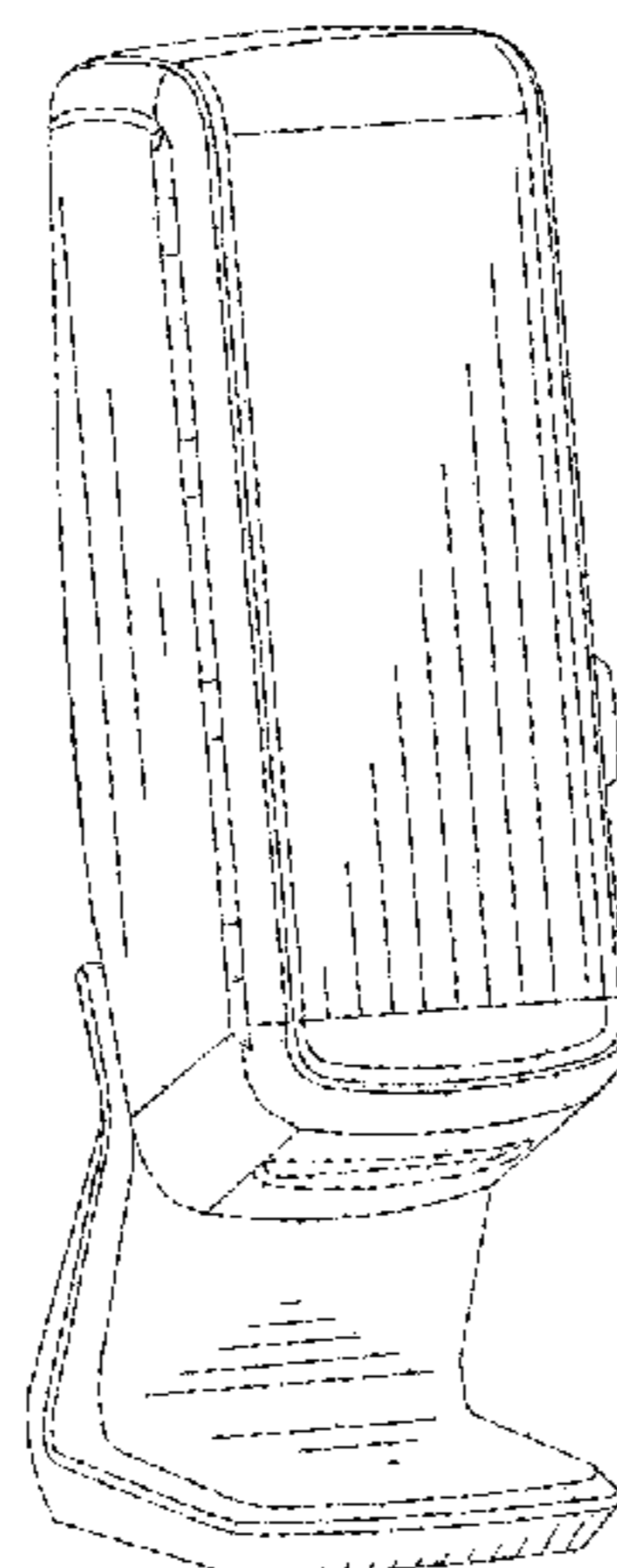
U.S. PATENT DOCUMENTS

DESCRIPTION

D331,515 S * 12/1992 Petterson D6/518
D463,929 S 10/2002 Fitzsimmons et al.
6,543,641 B2 4/2003 Hubanks et al.
D507,138 S 7/2005 Hochtritt et al.
6,988,635 B2 1/2006 Hochtritt et al.
7,134,571 B2 11/2006 Hochtritt et al.
7,543,719 B2 6/2009 Young et al.
D668,484 S 10/2012 Velazquez et al.
8,328,046 B2 12/2012 Hochtritt et al.
D675,851 S 2/2013 Wilson
D677,085 S 3/2013 Velazquez et al.

FIG. 1 is a front perspective view of a tower napkin dispenser;
FIG. 2 is a rear perspective view thereof;
FIG. 3 is a left side perspective view thereof;
FIG. 4 is a right side perspective view thereof;
FIG. 5 is a top perspective view thereof;
FIG. 6 is a bottom perspective view thereof;
FIG. 7 is a front elevation view thereof;
FIG. 8 is a rear elevation view thereof;
FIG. 9 is a left side elevation view thereof;
FIG. 10 is a right side elevation view thereof;
FIG. 11 is a bottom plan view thereof; and,
FIG. 12 is a top plan view thereof.
The broken lines showing immediately adjacent the shaded areas represents boundaries to the claimed design and forms no part of the claimed design.

1 Claim, 6 Drawing Sheets



(56)

References Cited

U.S. PATENT DOCUMENTS

2015/0014348 A1 1/2015 Tedesco et al.

FOREIGN PATENT DOCUMENTS

EM	0001983966-0001	2/2013
EP	1662957 B1	1/2008
WO	2005034702 A1	4/2005
WO	2005034703 A1	4/2005
WO	2006019646 A2	2/2006
WO	2011088440 A2	7/2011
WO	2013113393 A1	8/2013
WO	2013113394 A1	8/2013
WO	2014124294 A2	8/2014

* cited by examiner

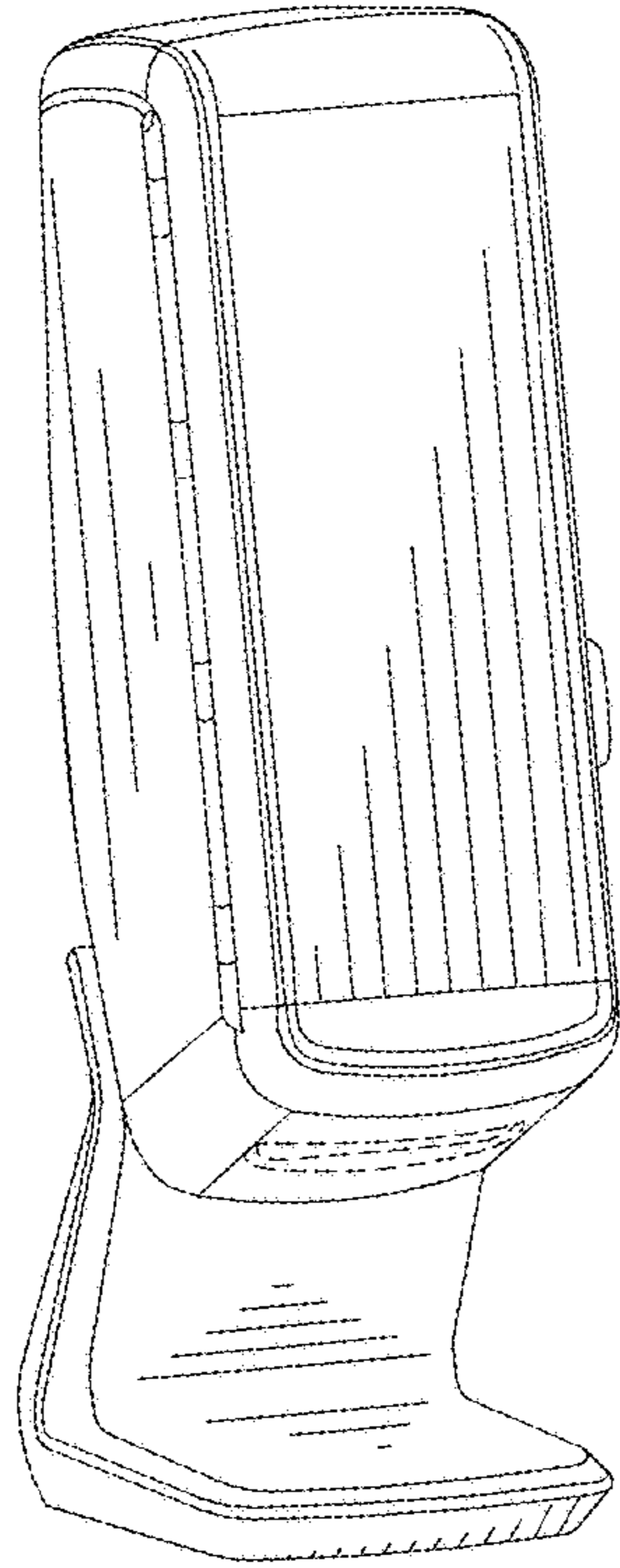
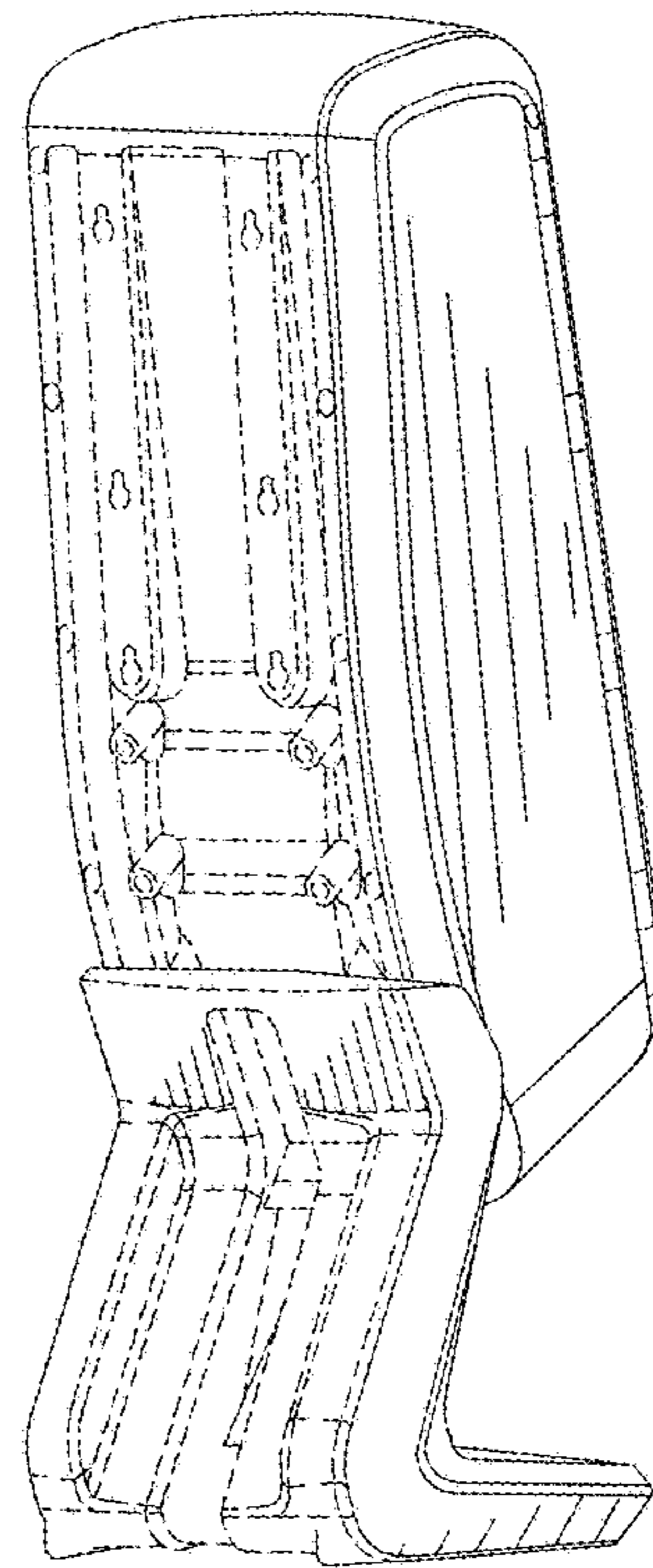


FIG. 1

FIG. 2



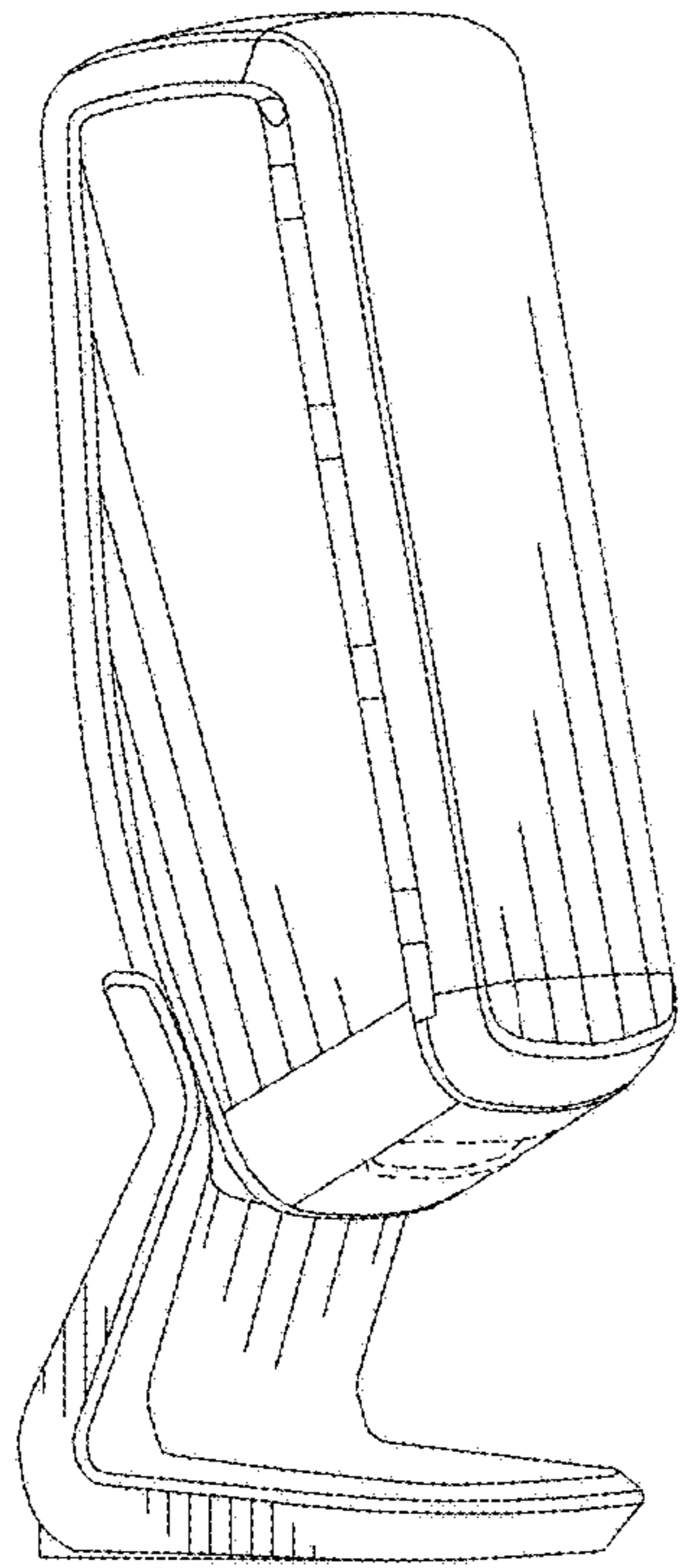


FIG. 3

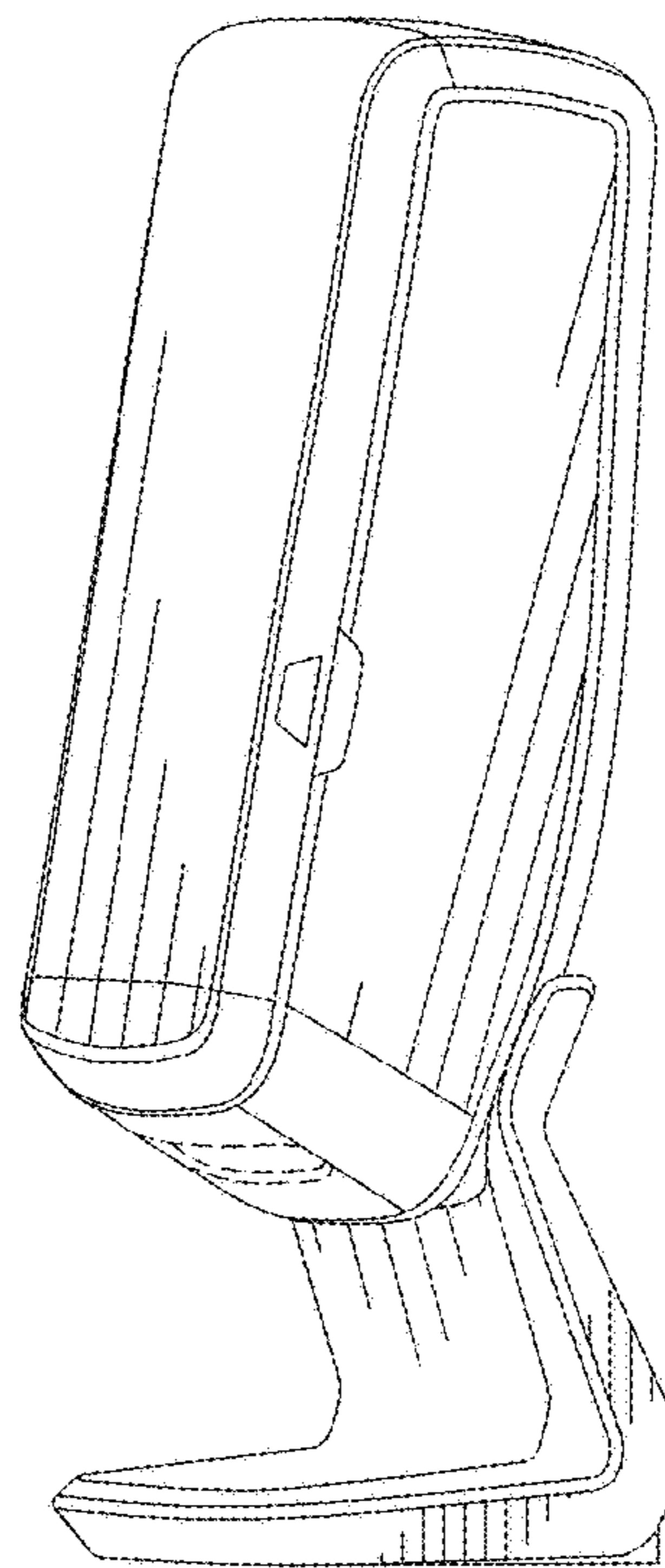


FIG. 4

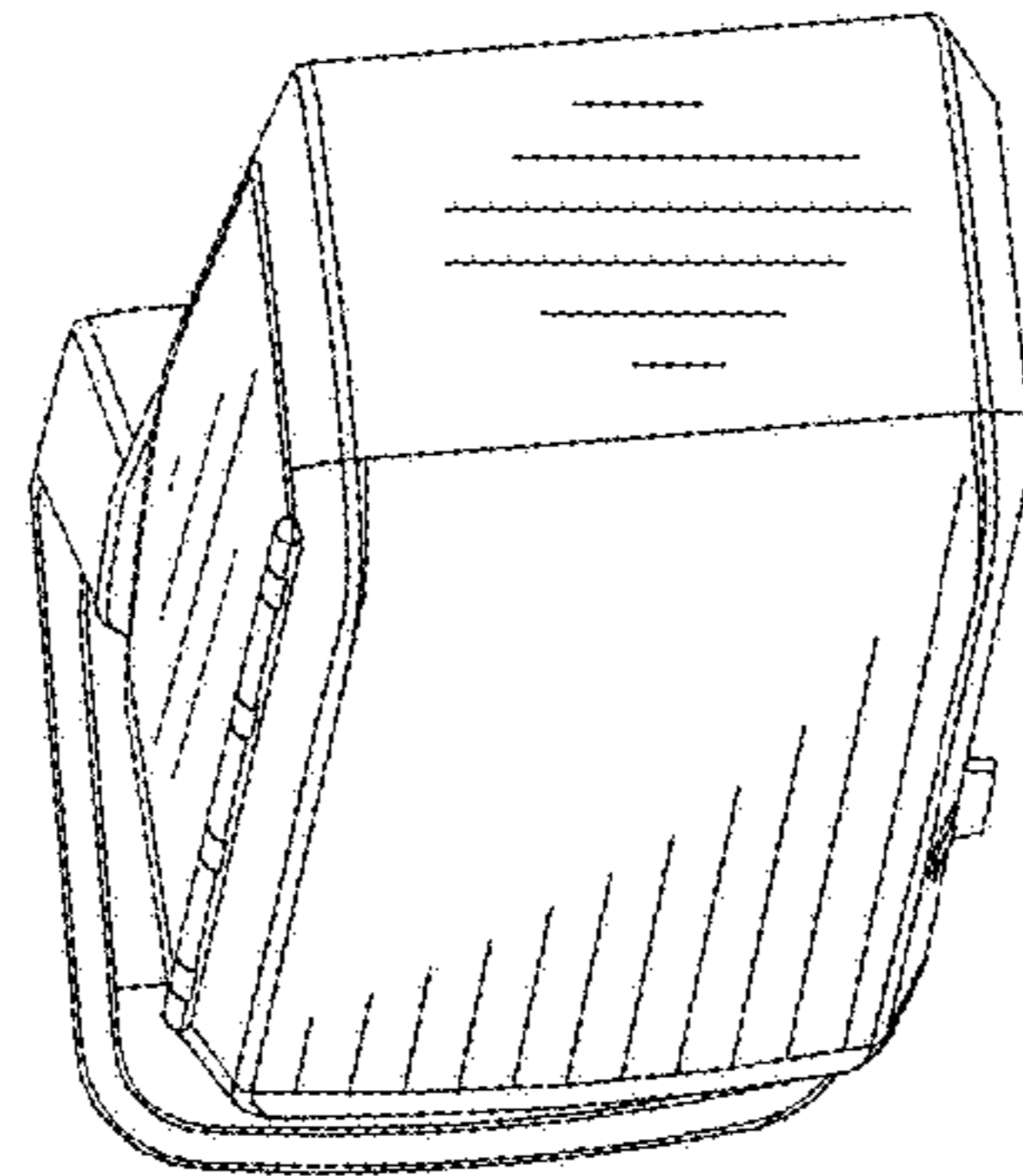


FIG. 5

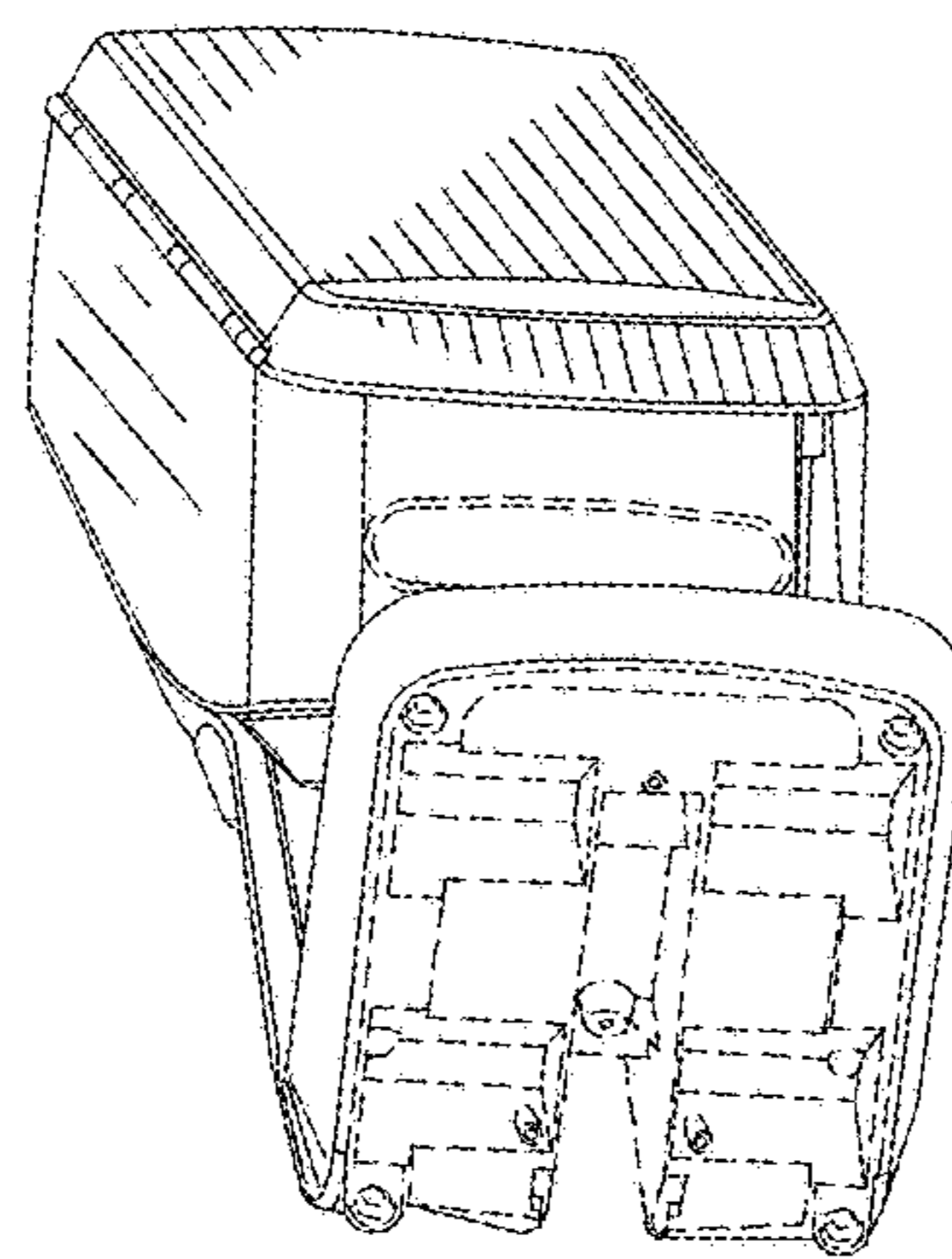


FIG. 6

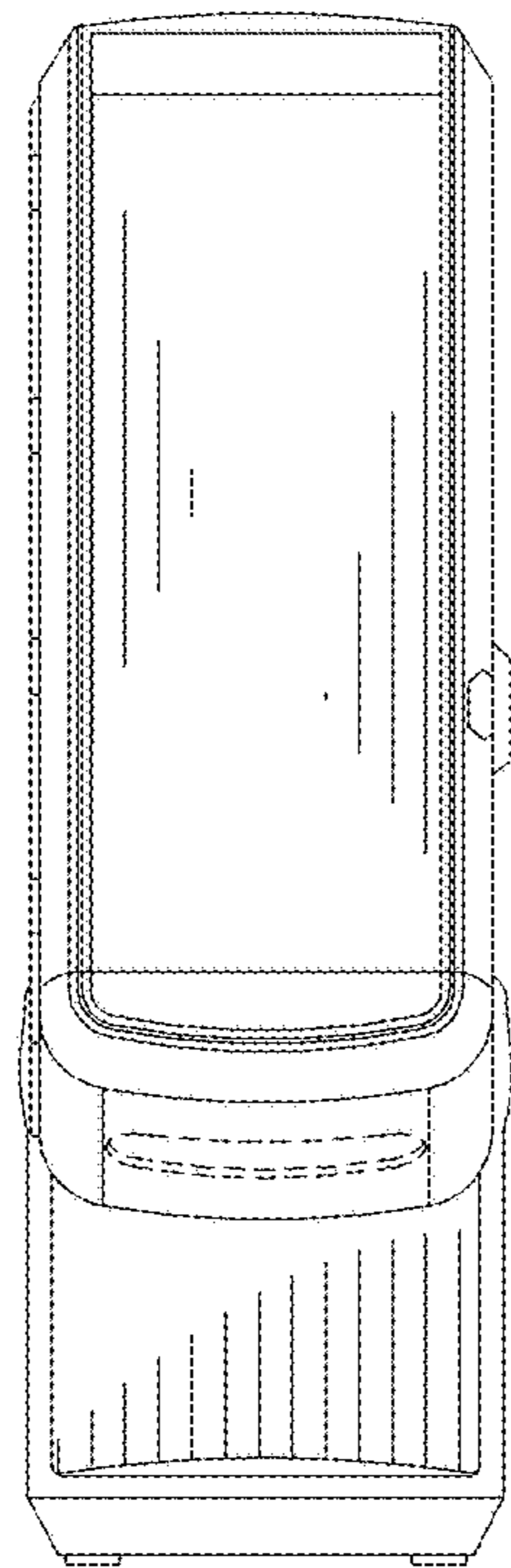


FIG. 7

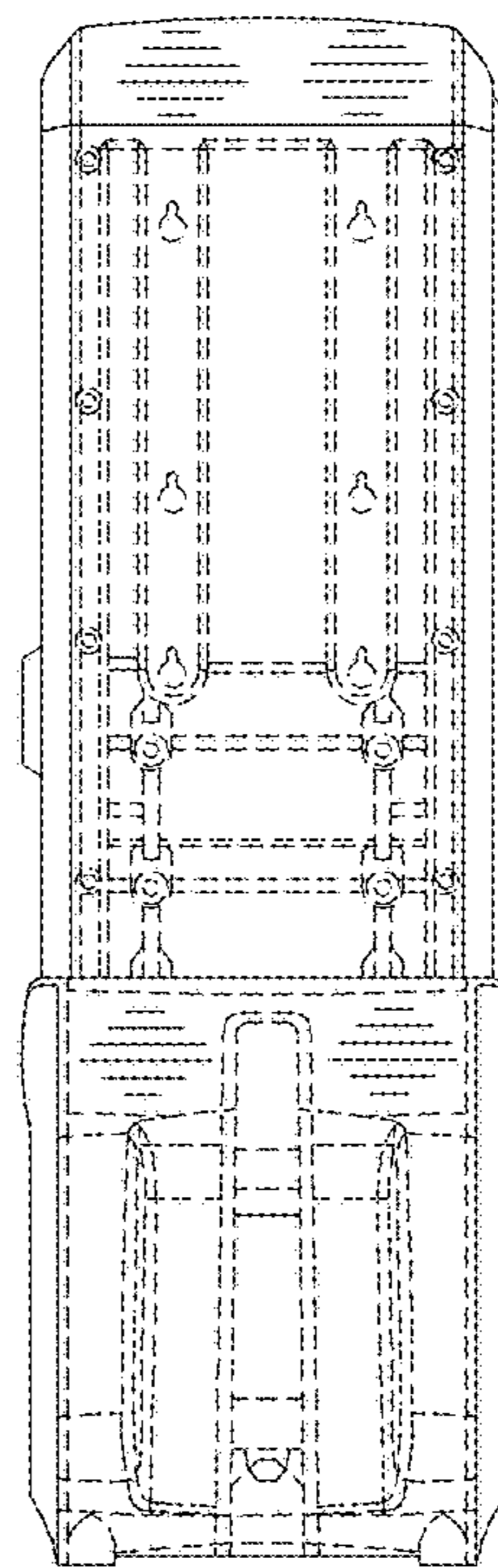


FIG. 8

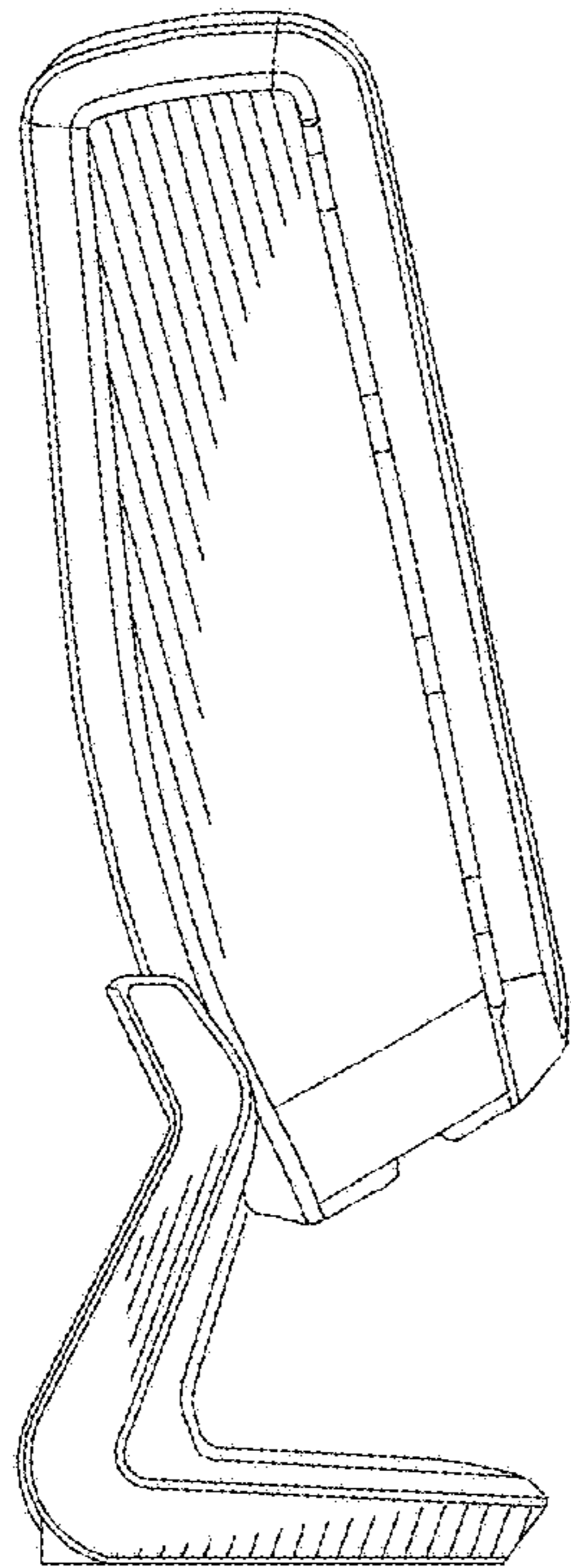


FIG. 9

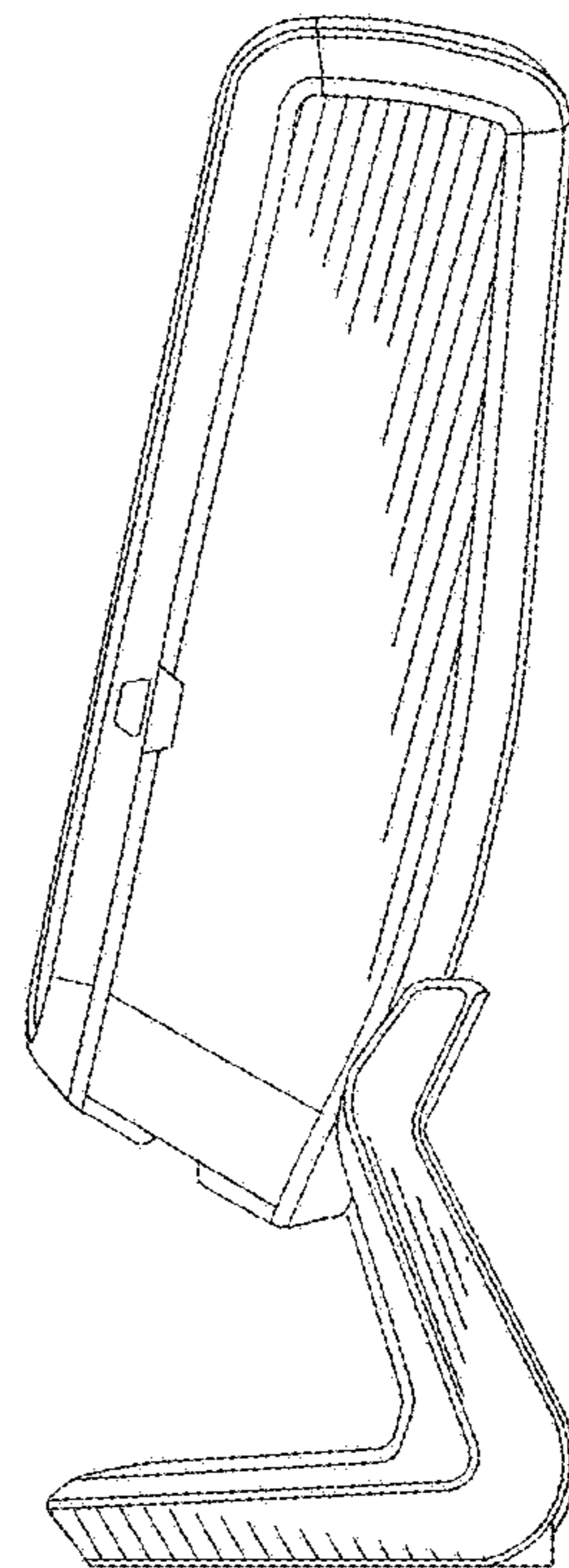


FIG. 10

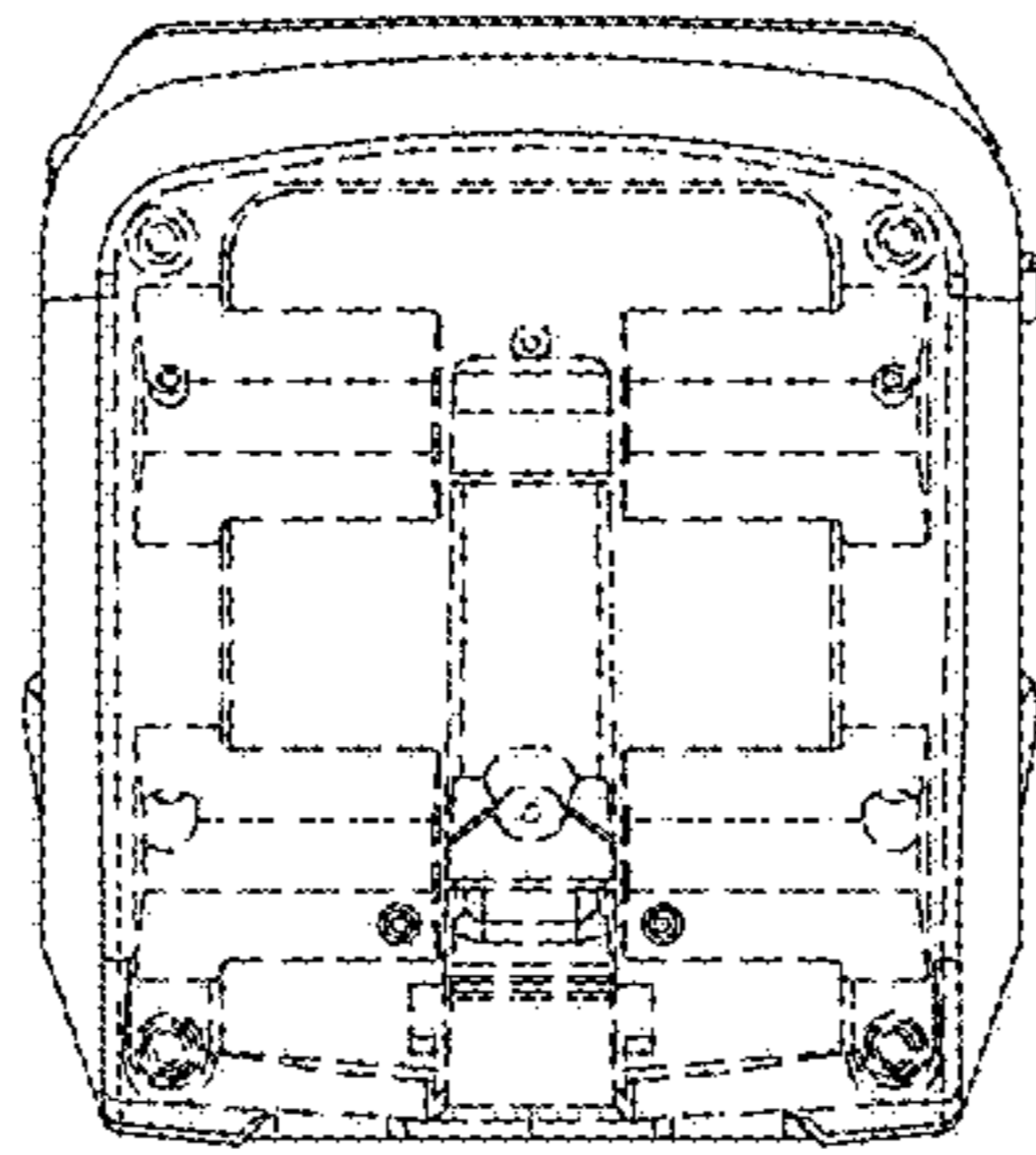


FIG. 11

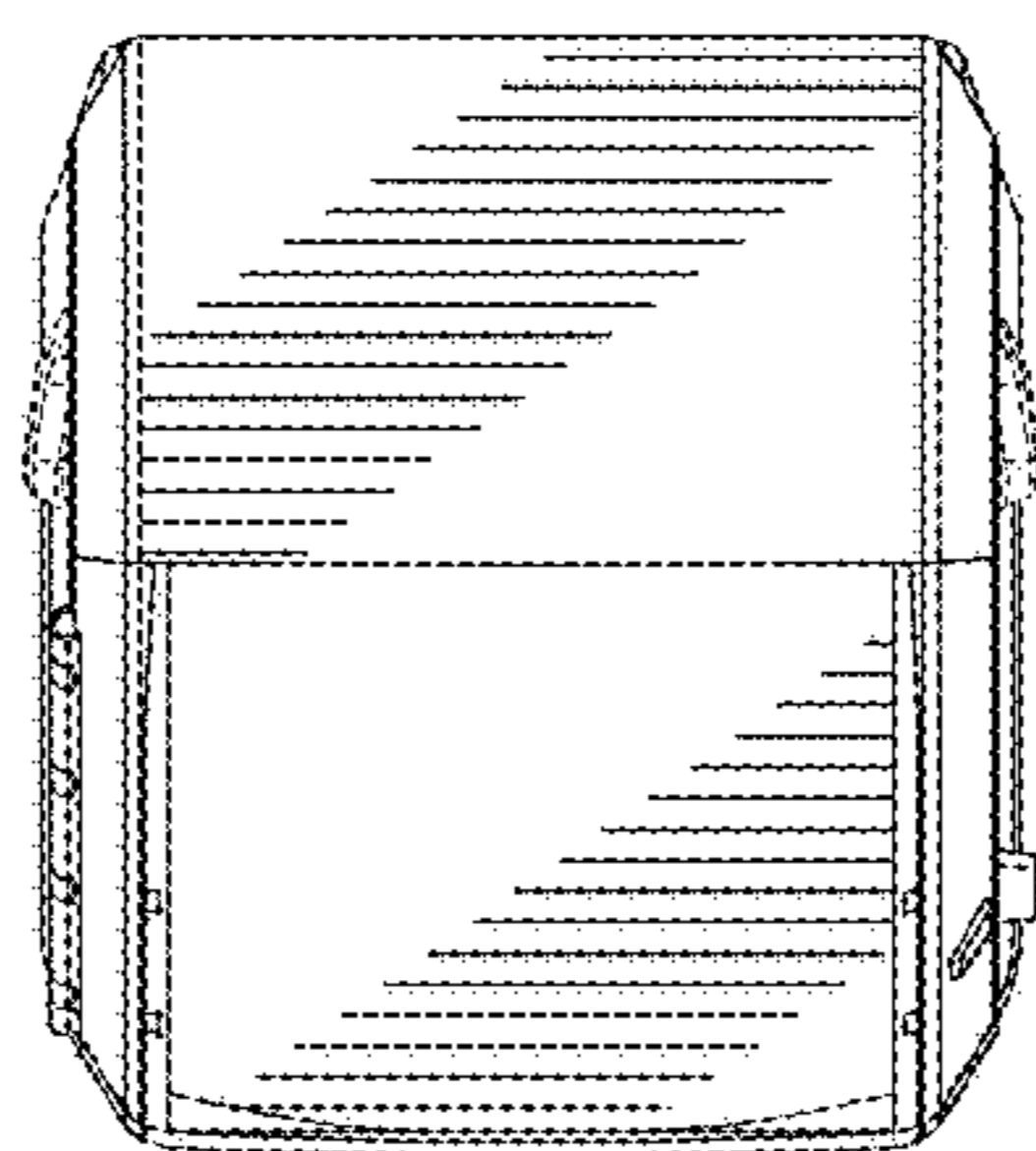


FIG. 12