



US00D860669S

(12) **United States Design Patent**  
**Izawa**

(10) **Patent No.:** **US D860,669 S**  
(45) **Date of Patent:** **\*\* Sep. 24, 2019**

(54) **CHAIR**

(71) Applicant: **Okamura Corporation**, Yokohama-shi,  
Kanagawa (JP)  
(72) Inventor: **Syouichi Izawa**, Yokohama (JP)  
(73) Assignee: **Okamura Corporation**, Yokohama-shi,  
Kanagawa (JP)

(\*\*) Term: **15 Years**

(21) Appl. No.: **29/642,749**

(22) Filed: **Apr. 2, 2018**

(30) **Foreign Application Priority Data**

Oct. 2, 2017 (JP) ..... 2017-021751

(51) **LOC (12) Cl.** ..... **06-01**

(52) **U.S. Cl.**  
USPC ..... **D6/366**

(58) **Field of Classification Search**

USPC ..... D6/334-336, 364, 365, 366, 374, 375,  
D6/716, 716.1, 716.2, 716.4

CPC .. A47C 3/12; A47C 4/028; A47C 5/12; A47C  
7/004; A47C 7/02; A47C 7/18; A47C  
7/24; A47C 7/40; A47C 7/54

See application file for complete search history.

(56) **References Cited**

**U.S. PATENT DOCUMENTS**

D648,158 S \* 11/2011 Kubryk ..... D6/366  
D654,732 S \* 2/2012 Kubryk ..... D6/366

D730,670 S \* 6/2015 Kubryk ..... D6/716  
D766,638 S \* 9/2016 Kubryk ..... D6/716  
D767,318 S \* 9/2016 Kubryk ..... D6/716  
D767,319 S \* 9/2016 Kubryk ..... D6/716  
D794,368 S \* 8/2017 Swy ..... D6/366  
D794,369 S \* 8/2017 Swy ..... D6/366  
D817,056 S \* 5/2018 Neil ..... D6/716  
D828,707 S \* 9/2018 Kubryk ..... D6/716

\* cited by examiner

*Primary Examiner* — Mimoso De

(74) *Attorney, Agent, or Firm* — Banner & Witcoff, Ltd.

(57) **CLAIM**

The ornamental design for a chair, as shown and described.

**DESCRIPTION**

FIG. 1 is a front perspective view of a chair showing my new design;  
FIG. 2 is a rear perspective view thereof;  
FIG. 3 is a front view thereof;  
FIG. 4 is a rear view thereof;  
FIG. 5 is a left side view thereof;  
FIG. 6 is a right side view thereof;  
FIG. 7 is a top view thereof; and,  
FIG. 8 is a bottom view thereof.  
The broken lines shown in the drawings illustrate portions of the chair that form no part of the claimed design.

**1 Claim, 8 Drawing Sheets**

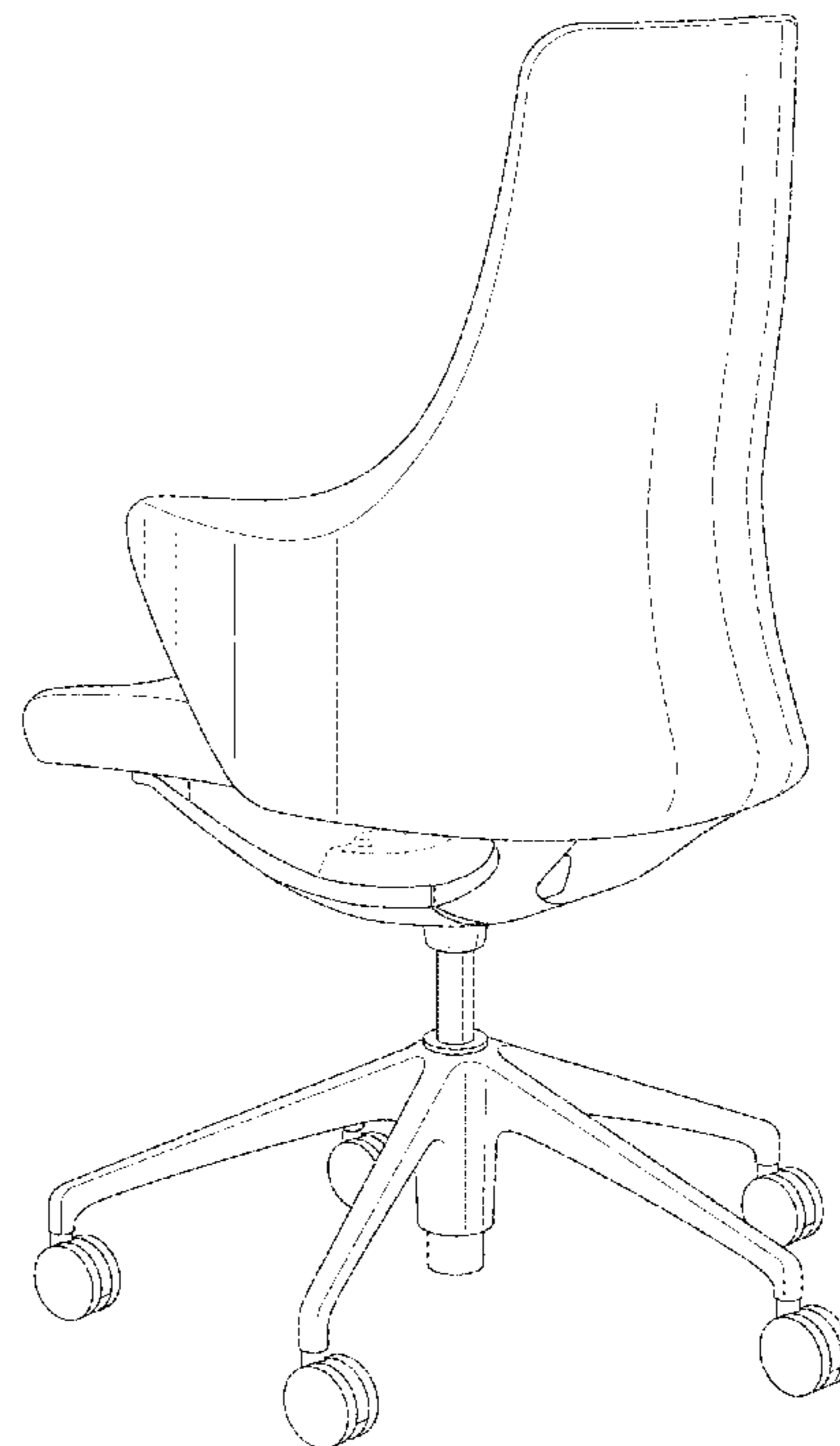
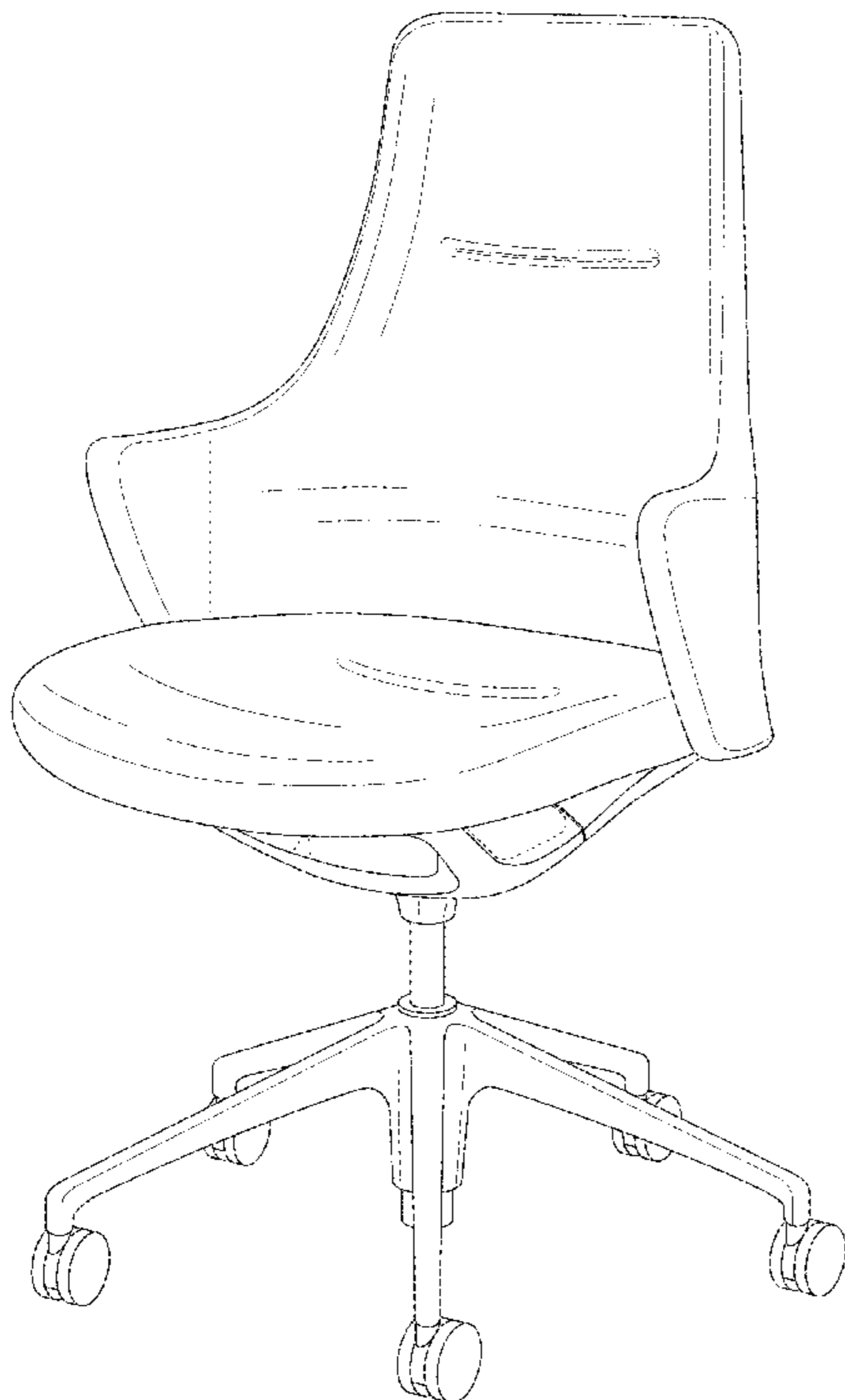


Fig. 1



Fig. 2

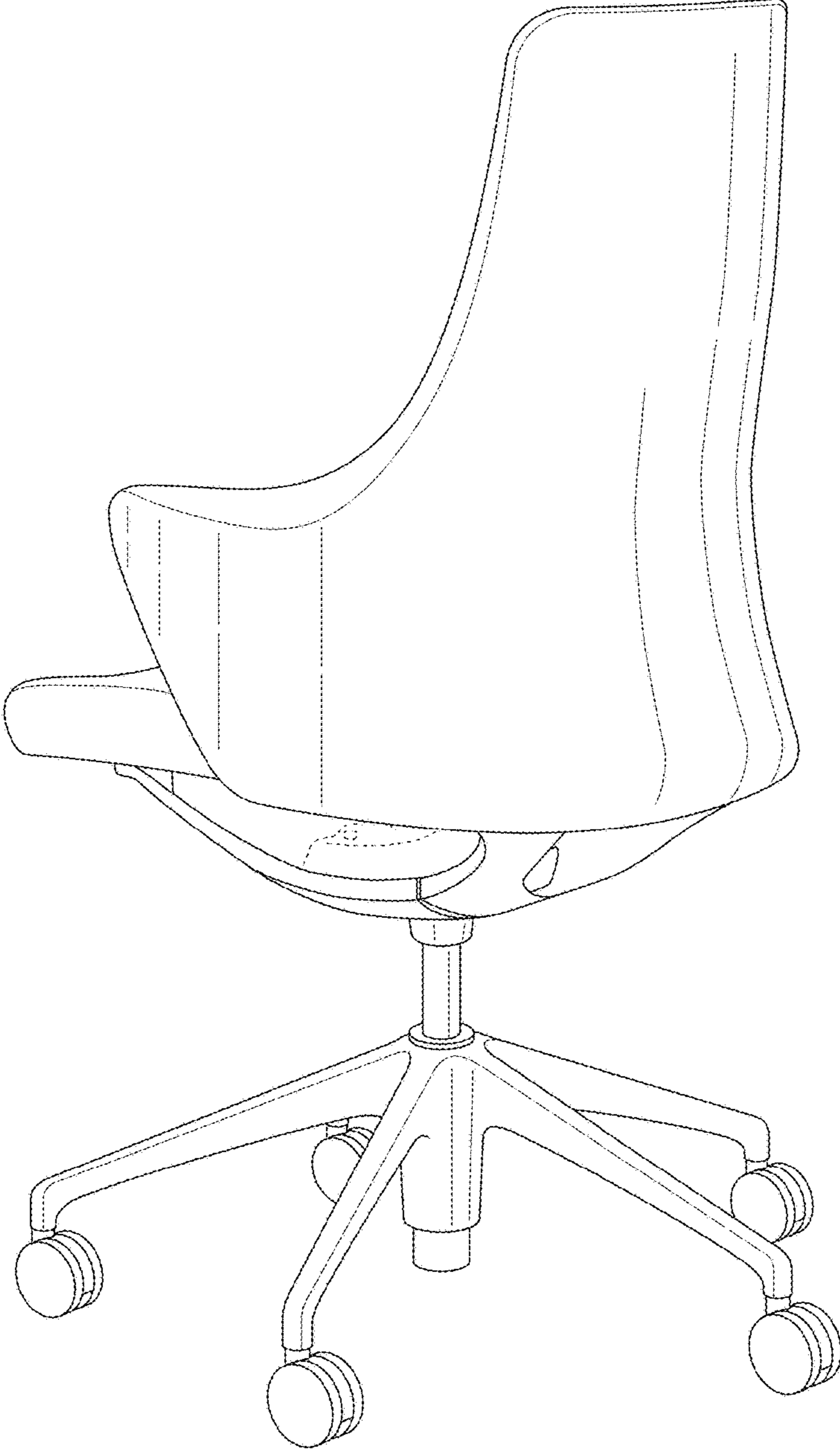


Fig. 3

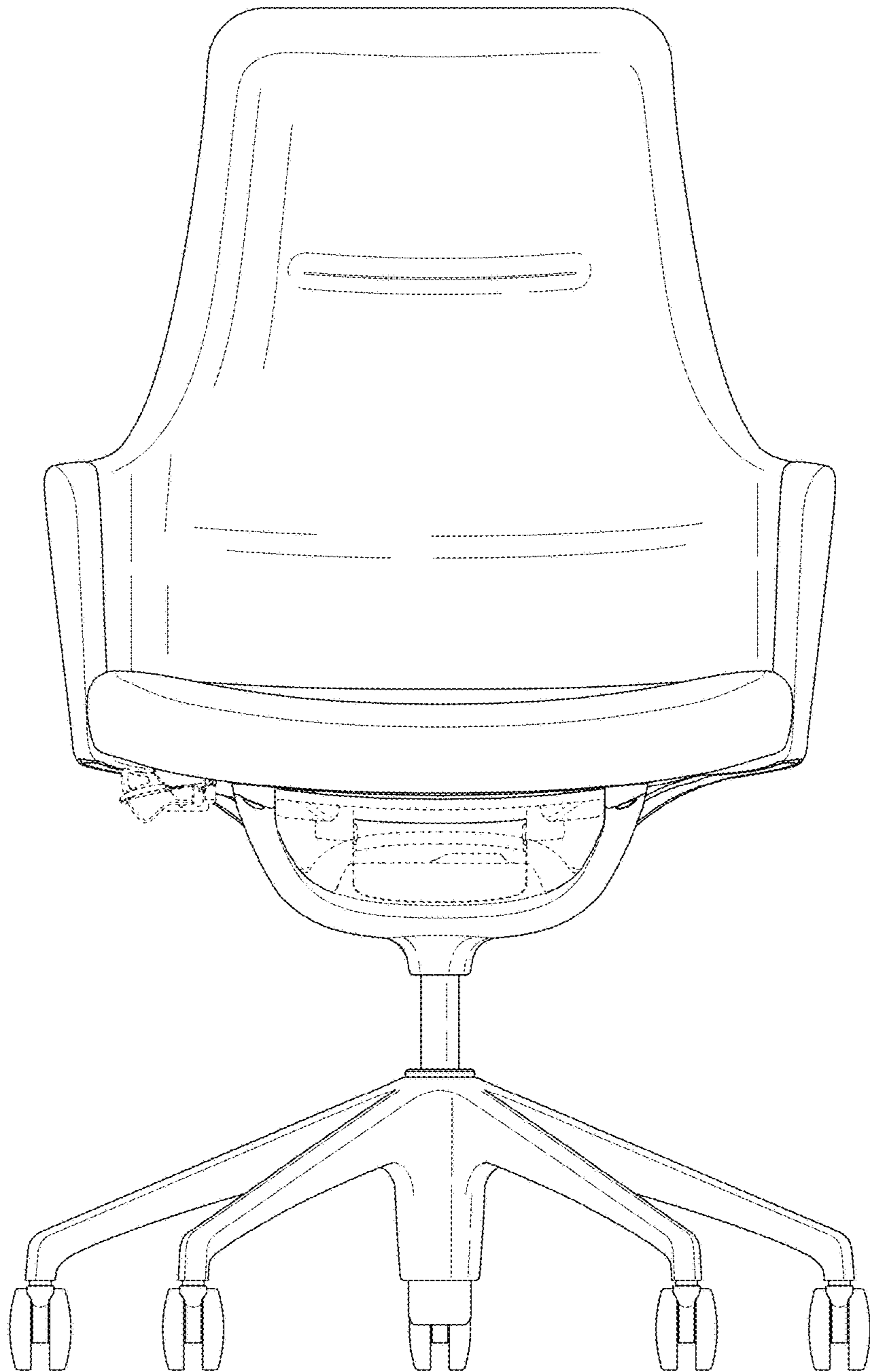


Fig. 4

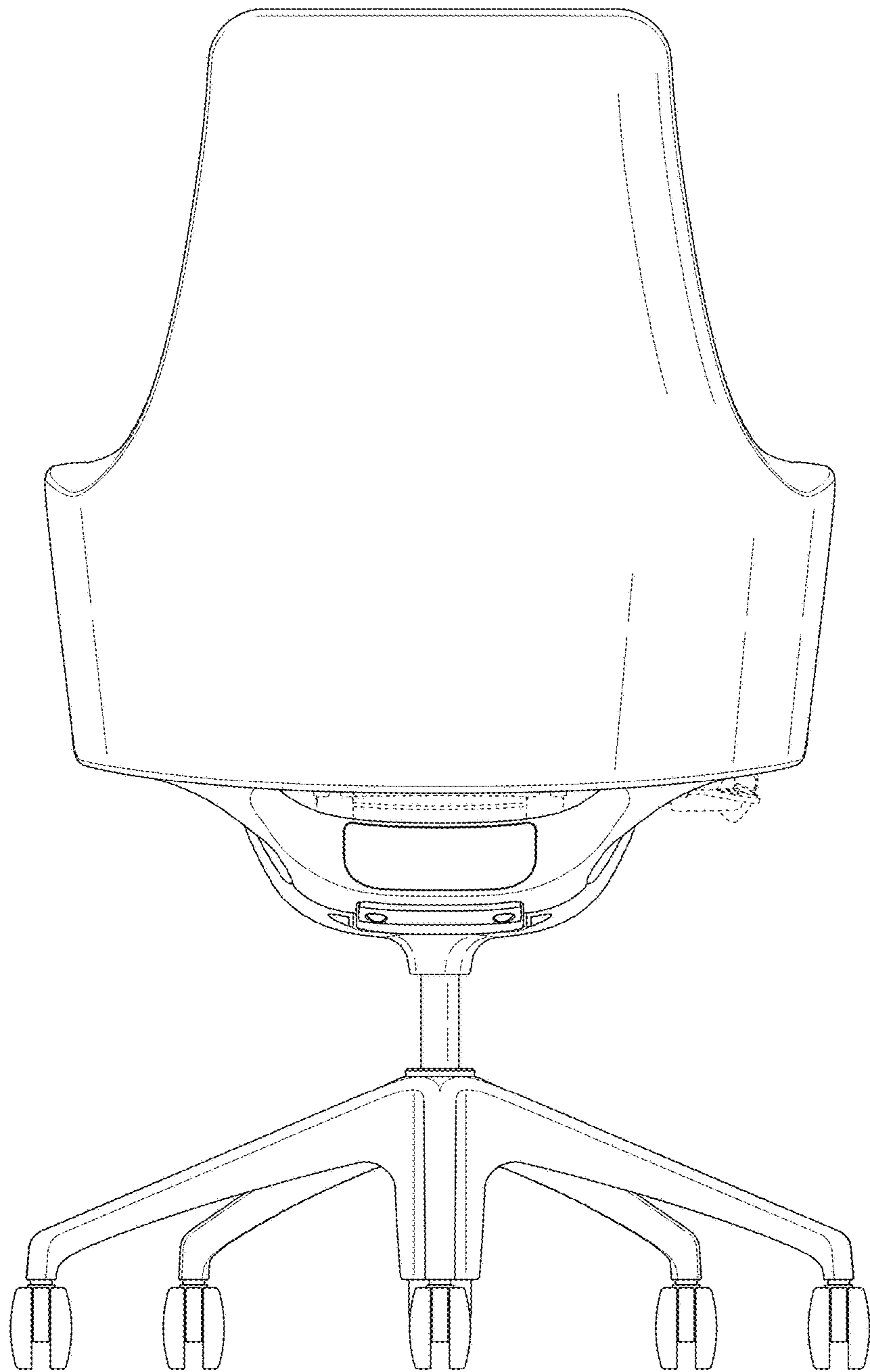




Fig. 5

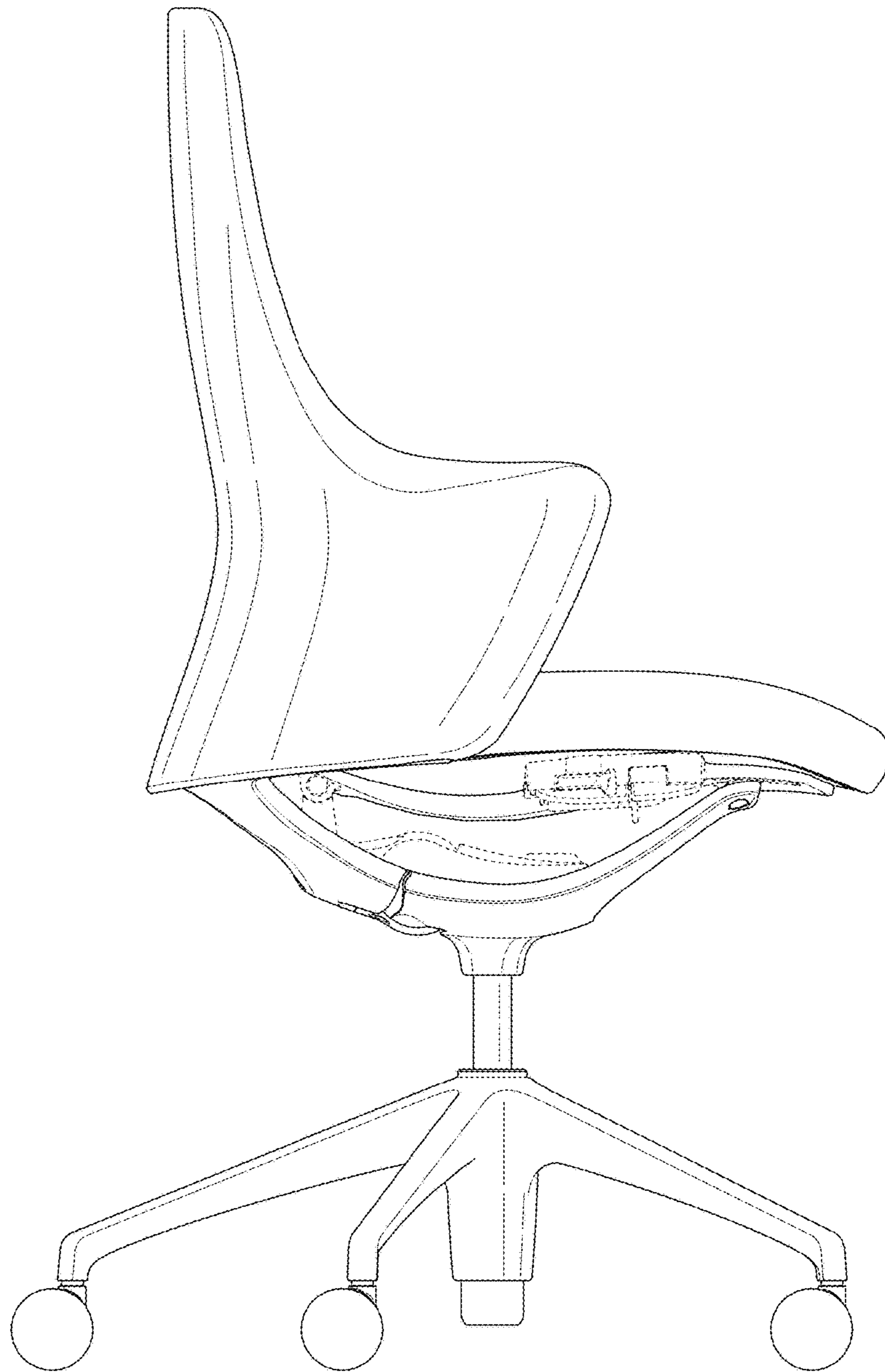


Fig. 6



Fig. 7

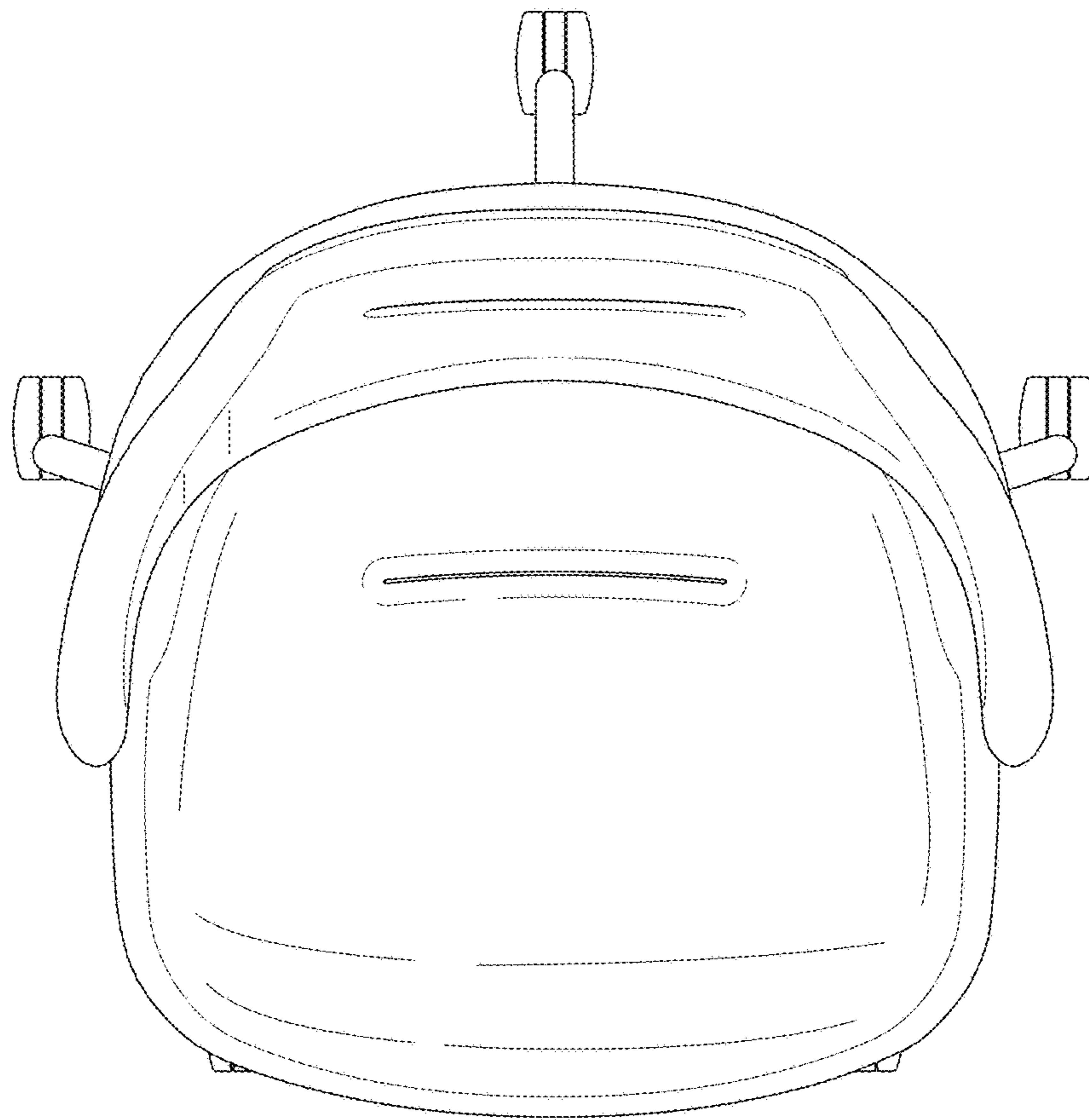




Fig. 8

