

US00D860668S

(12) **United States Design Patent** (10) **Patent No.:** **US D860,668 S**
Magnusson (45) **Date of Patent:** **** Sep. 24, 2019**

(54) **CHAIR**

(71) Applicant: **Carl Gustav Magnusson**, New York, NY (US)

(72) Inventor: **Carl Gustav Magnusson**, New York, NY (US)

(73) Assignee: **Allseating Corporation**, Mississauga, Ontario

(**) Term: **15 Years**

(21) Appl. No.: **29/607,003**

(22) Filed: **Jun. 9, 2017**

(51) **LOC (12) Cl.** **06-01**

(52) **U.S. Cl.**
USPC **D6/366**

(58) **Field of Classification Search**
USPC D6/334-336, 364, 365, 366, 374, 379,
D6/380, 716, 716.1, 716.2, 716.4
CPC .. A47C 3/12; A47C 3/18; A47C 4/028; A47C
7/004; A47C 7/006; A47C 7/40; A47C
7/46; A47C 7/16

See application file for complete search history.

(56) **References Cited**

U.S. PATENT DOCUMENTS

D609,037 S	*	2/2010	Miller	D6/366
D787,248 S	*	5/2017	Jahns	D6/366
D799,230 S	*	10/2017	Cvek	D6/366

* cited by examiner

Primary Examiner — Mimoso De

(74) *Attorney, Agent, or Firm* — Lorelei G. Graham

(57) **CLAIM**

The ornamental design for the chair, as shown and described.

DESCRIPTION

FIG. 1 is a front perspective view of the chair.
 FIG. 2 is a bottom perspective view of the chair.
 FIG. 3 is a right side view of the chair.
 FIG. 4 is a front view of the chair.
 FIG. 5 is a left side view of the chair.
 FIG. 6 is a back view of the chair.
 FIG. 7 is a top view of the chair; and,
 FIG. 8 is a bottom view of the chair.
 The broken lines shown in the drawings are for the purpose of illustrating portions of the article that form no part of the claim design.

1 Claim, 4 Drawing Sheets



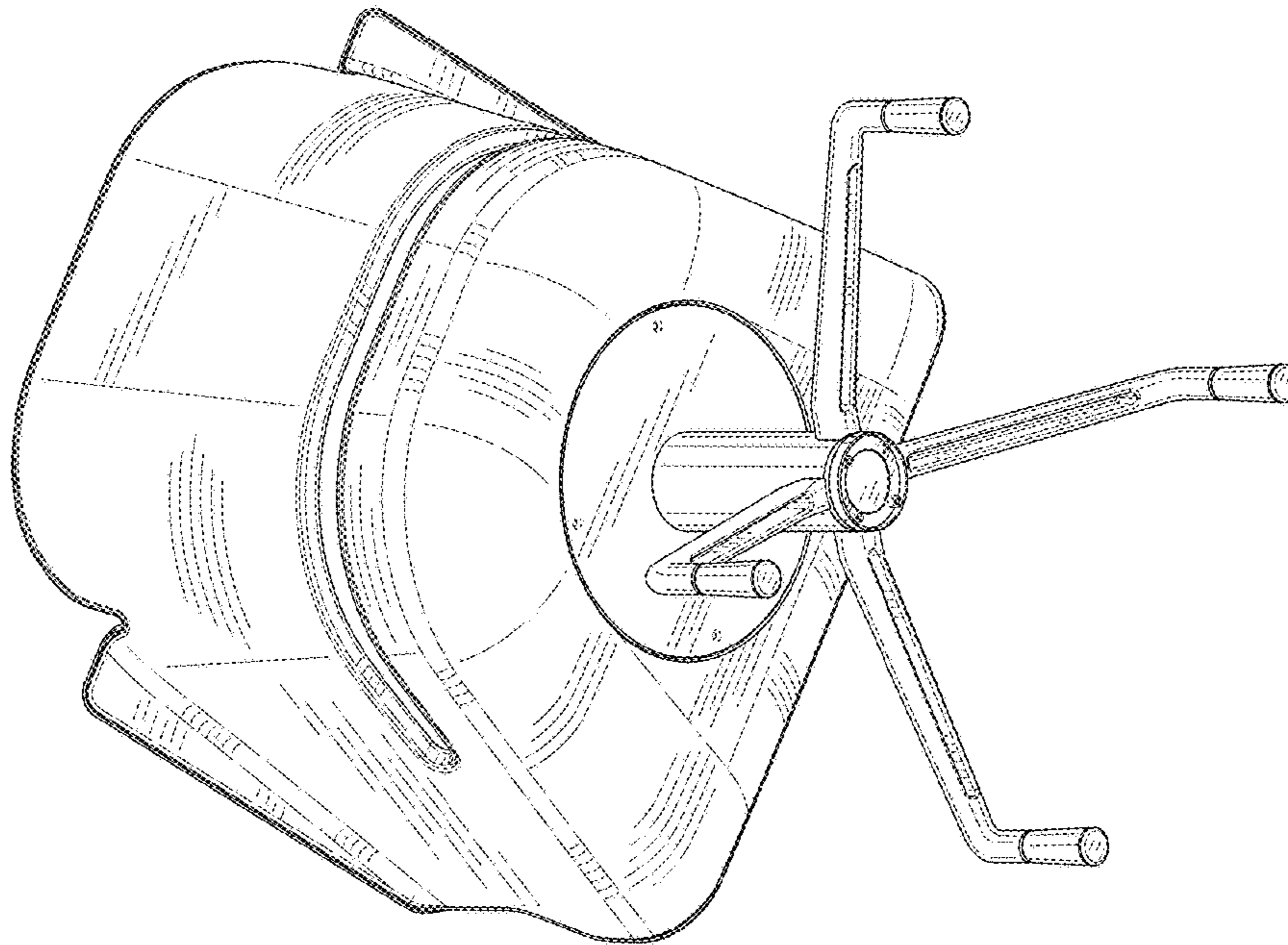


FIG. 2

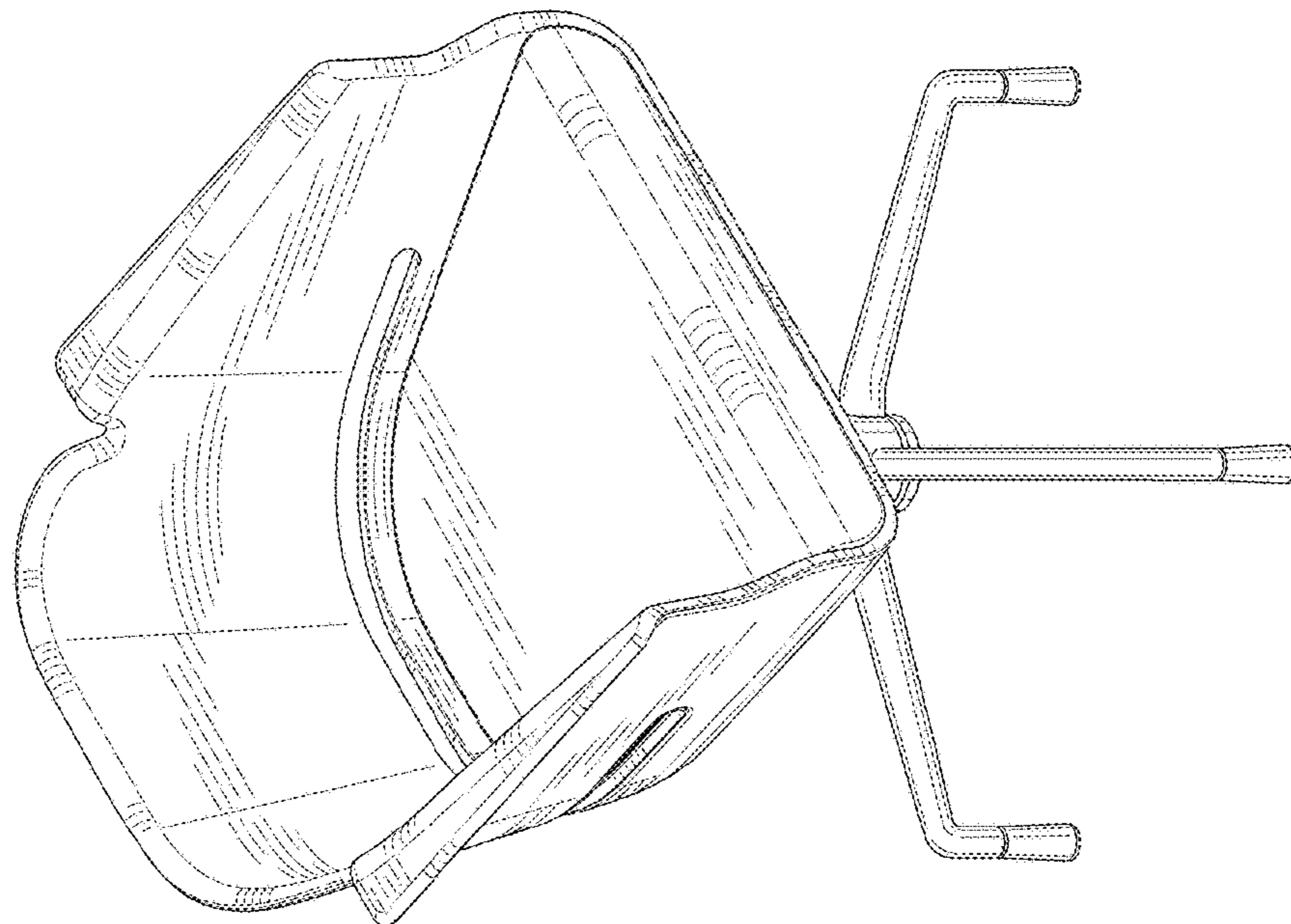


FIG. 1

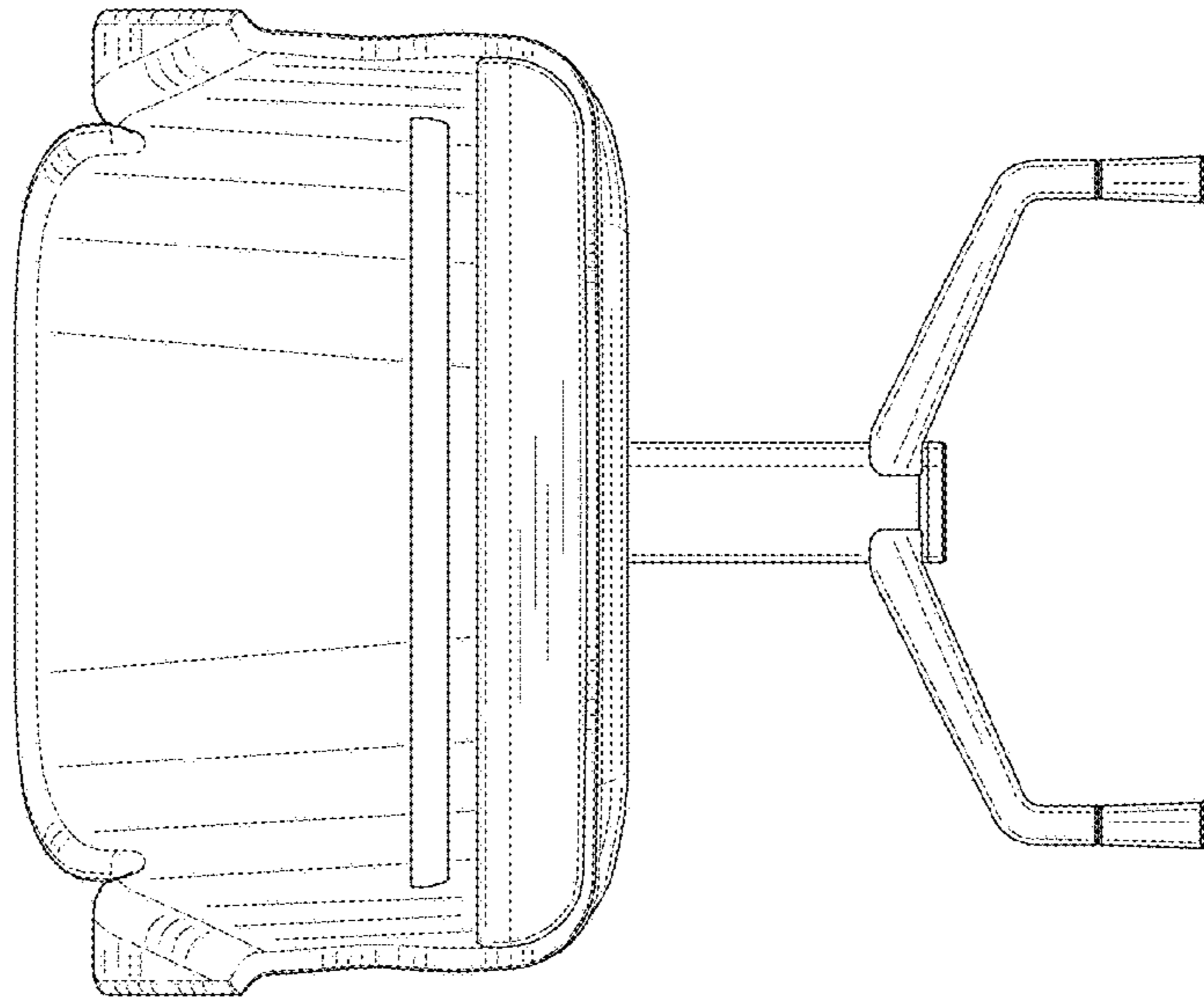


FIG. 4

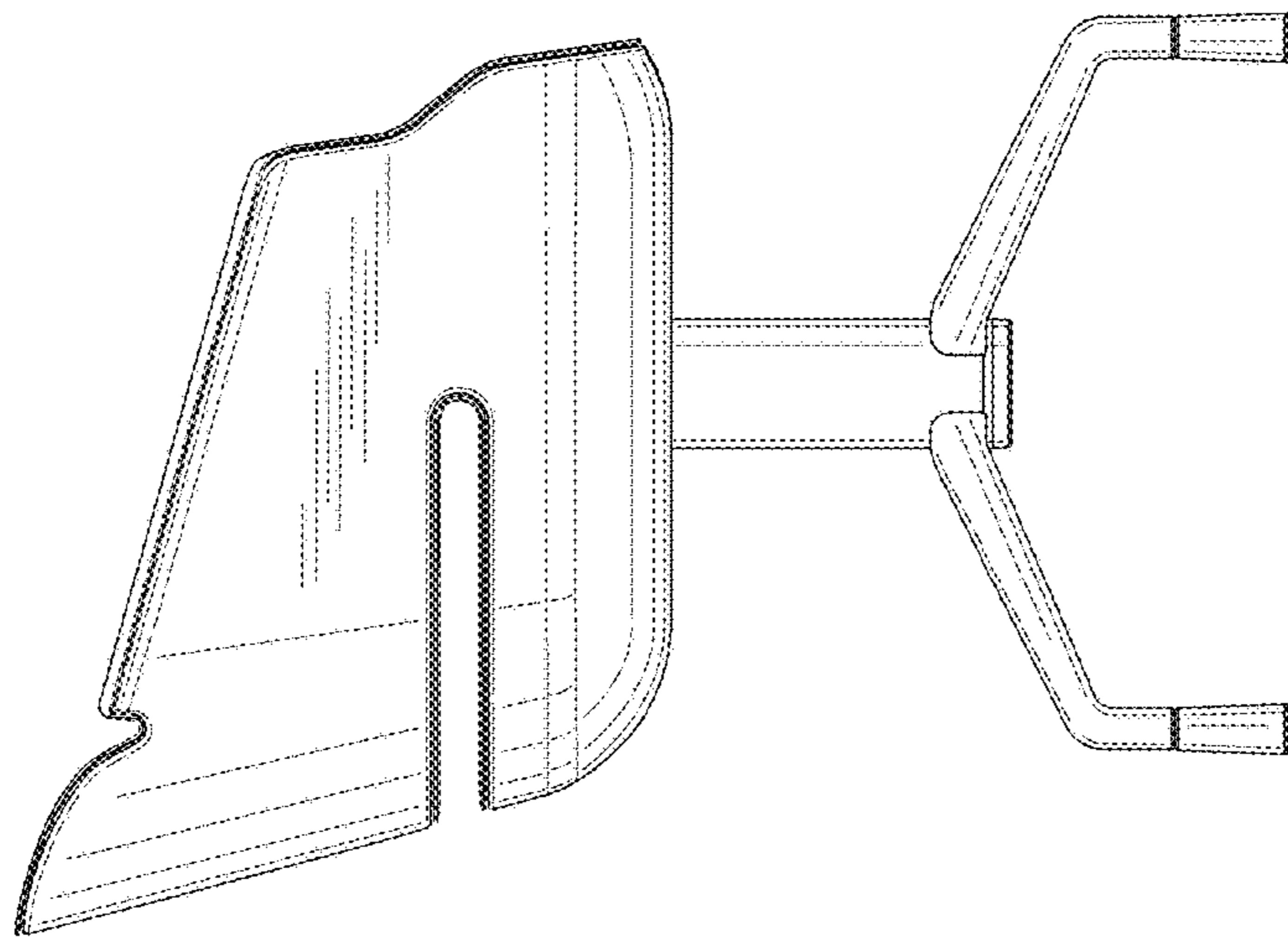


FIG. 3

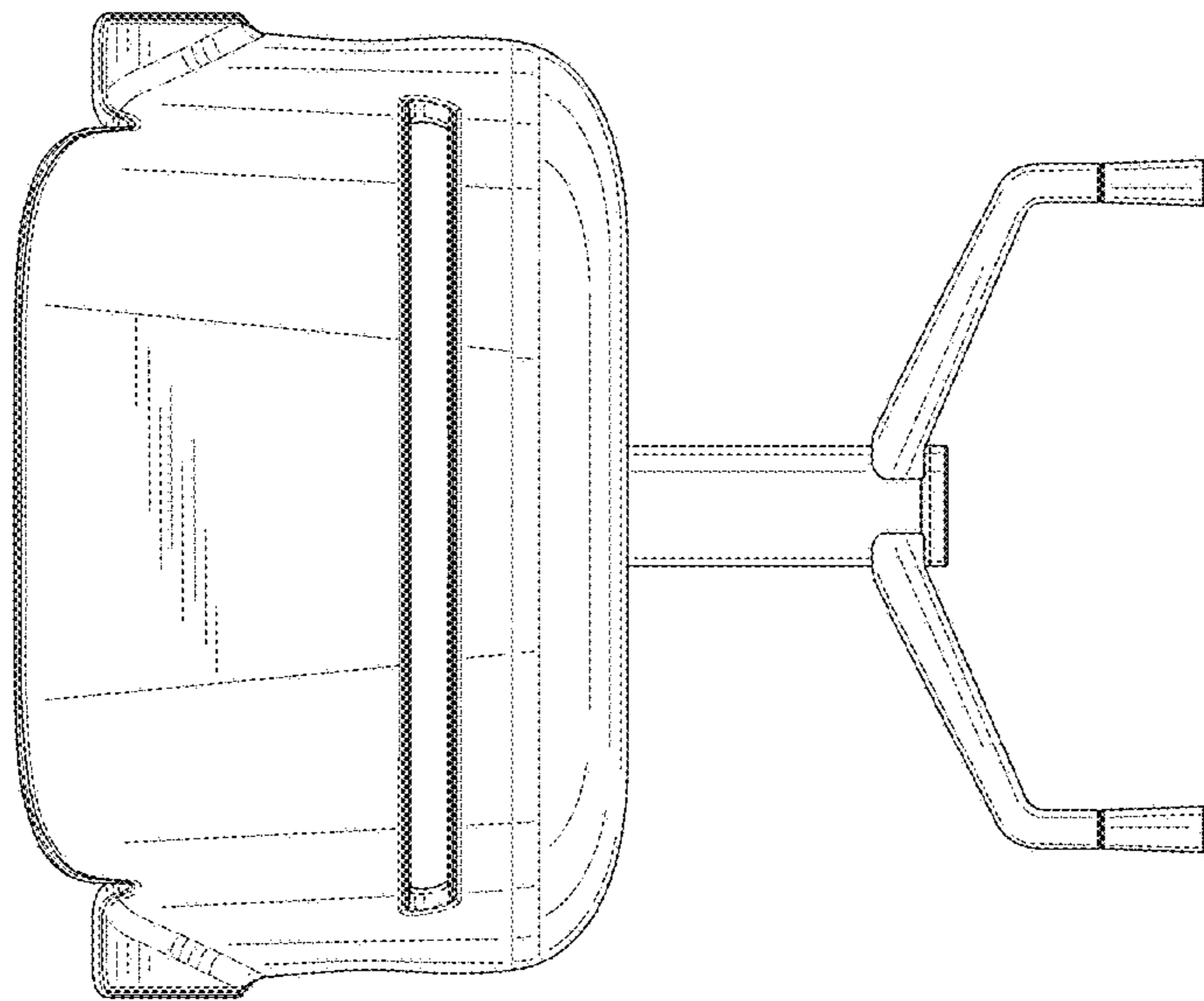


FIG. 6

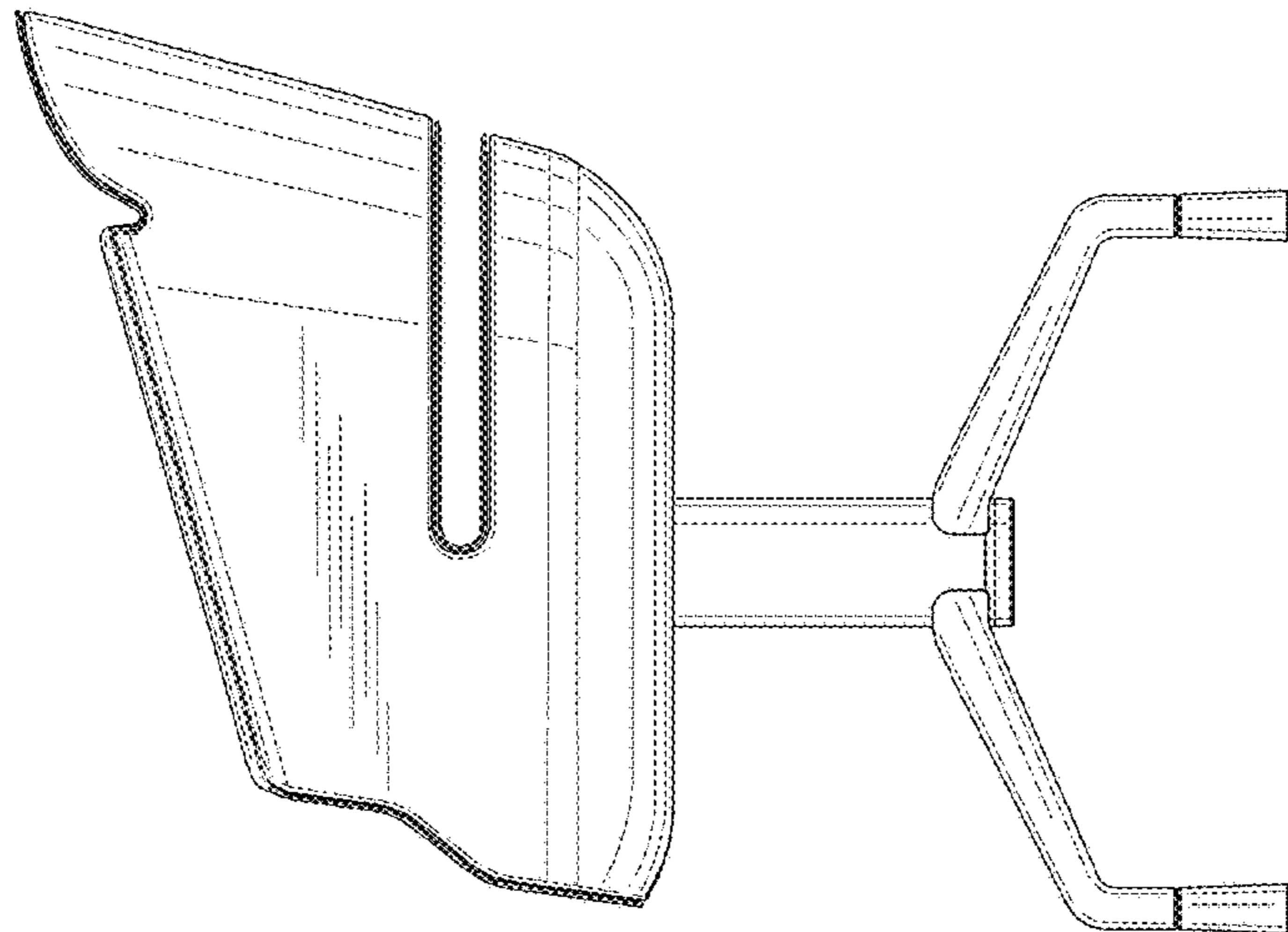


FIG. 5

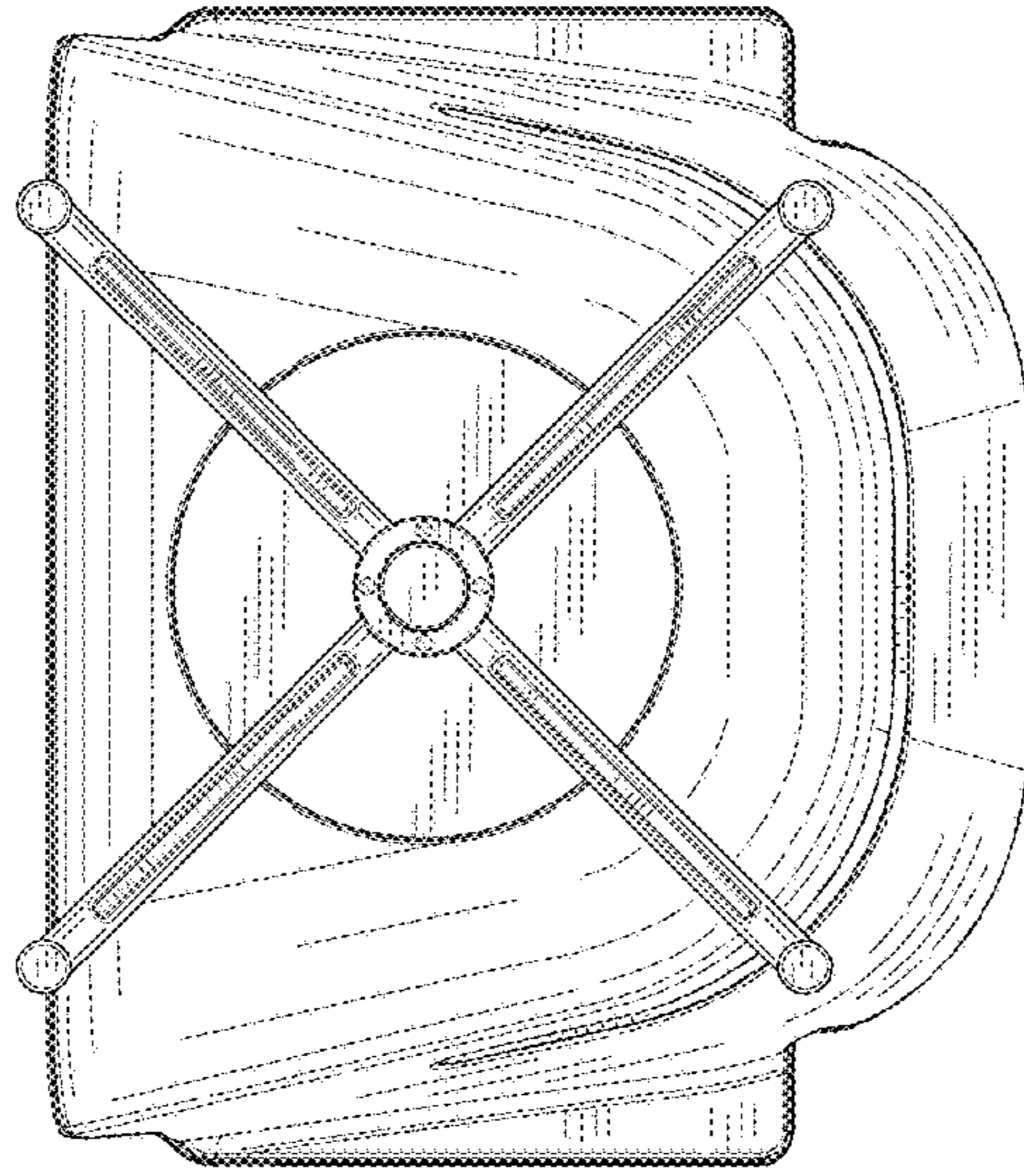


FIG. 8

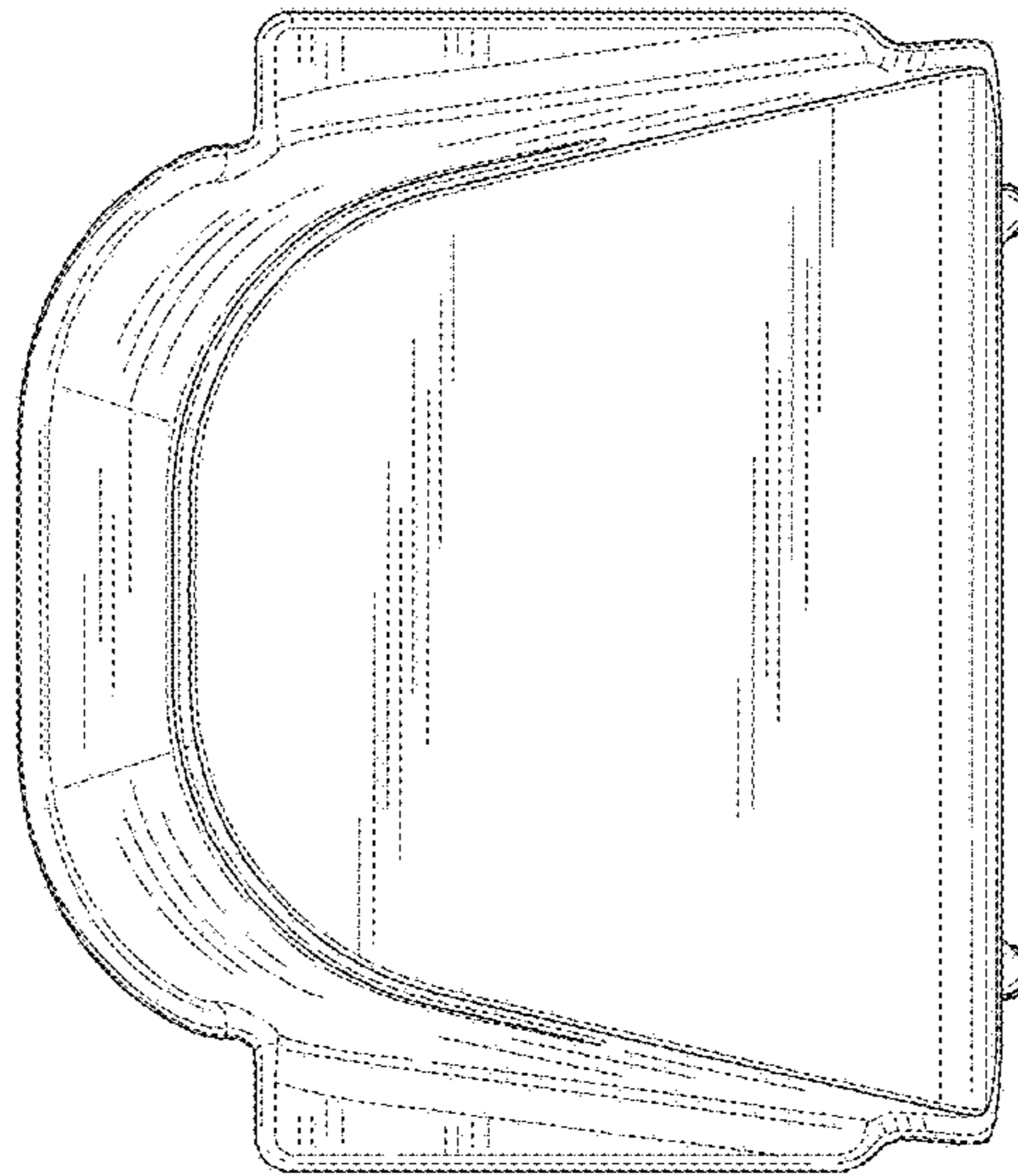


FIG. 7