

US00D860666S

(12) **United States Design Patent** (10) **Patent No.:** **US D860,666 S**
Urquiola (45) **Date of Patent:** **** Sep. 24, 2019**

- (54) **CHAIR**
- (71) Applicant: **Haworth, Inc.**, Holland, MI (US)
- (72) Inventor: **Patricia Urquiola**, Milan (IT)
- (73) Assignee: **Haworth, Inc.**, Holland, MI (US)
- (**) Term: **15 Years**
- (21) Appl. No.: **29/644,854**
- (22) Filed: **Apr. 20, 2018**
- (51) **LOC (12) Cl.** **06-01**
- (52) **U.S. Cl.**
USPC **D6/360**
- (58) **Field of Classification Search**
USPC D6/334, 341, 349, 352, 353, 360, 364,
D6/373, 375, 677, 692, 700, 708, 716,
D6/350, 369, 708.16
CPC A47C 3/34; A47C 7/506; A47C 9/007;
A47C 13/023; A47C 4/028; A47C 4/02
See application file for complete search history.

- (56) **References Cited**
U.S. PATENT DOCUMENTS
2,980,454 A * 4/1961 Thaden A47C 1/124
297/248
D202,426 S * 9/1965 Jakobsen D6/360
D269,831 S * 7/1983 Crone D6/373
D368,379 S * 4/1996 Muller D6/360
D468,918 S * 1/2003 de Blois D6/360
D498,937 S * 11/2004 Messier D6/369
D504,245 S * 4/2005 Ambasz D6/373
D508,338 S * 8/2005 Ambasz D6/373
D553,872 S * 10/2007 Martin D6/355
D565,318 S * 4/2008 Alter Molina D6/375

- D571,117 S * 6/2008 Molina D6/375
- D592,873 S * 5/2009 Olano Jauregui D6/373
- D620,269 S * 7/2010 Lambert D6/360
- D670,926 S * 11/2012 Ukmar D6/349
- D728,953 S * 5/2015 Lievore D6/360
- D799,227 S * 10/2017 Martinez D6/360
- D800,467 S * 10/2017 Galiotto D6/360
- D825,943 S * 8/2018 Boonen D6/360
- D831,365 S * 10/2018 Yao D6/360

* cited by examiner

Primary Examiner — Kevin K Rudzinski
Assistant Examiner — Paul D Bohannon
(74) *Attorney, Agent, or Firm* — Warner Norcross + Judd LLP

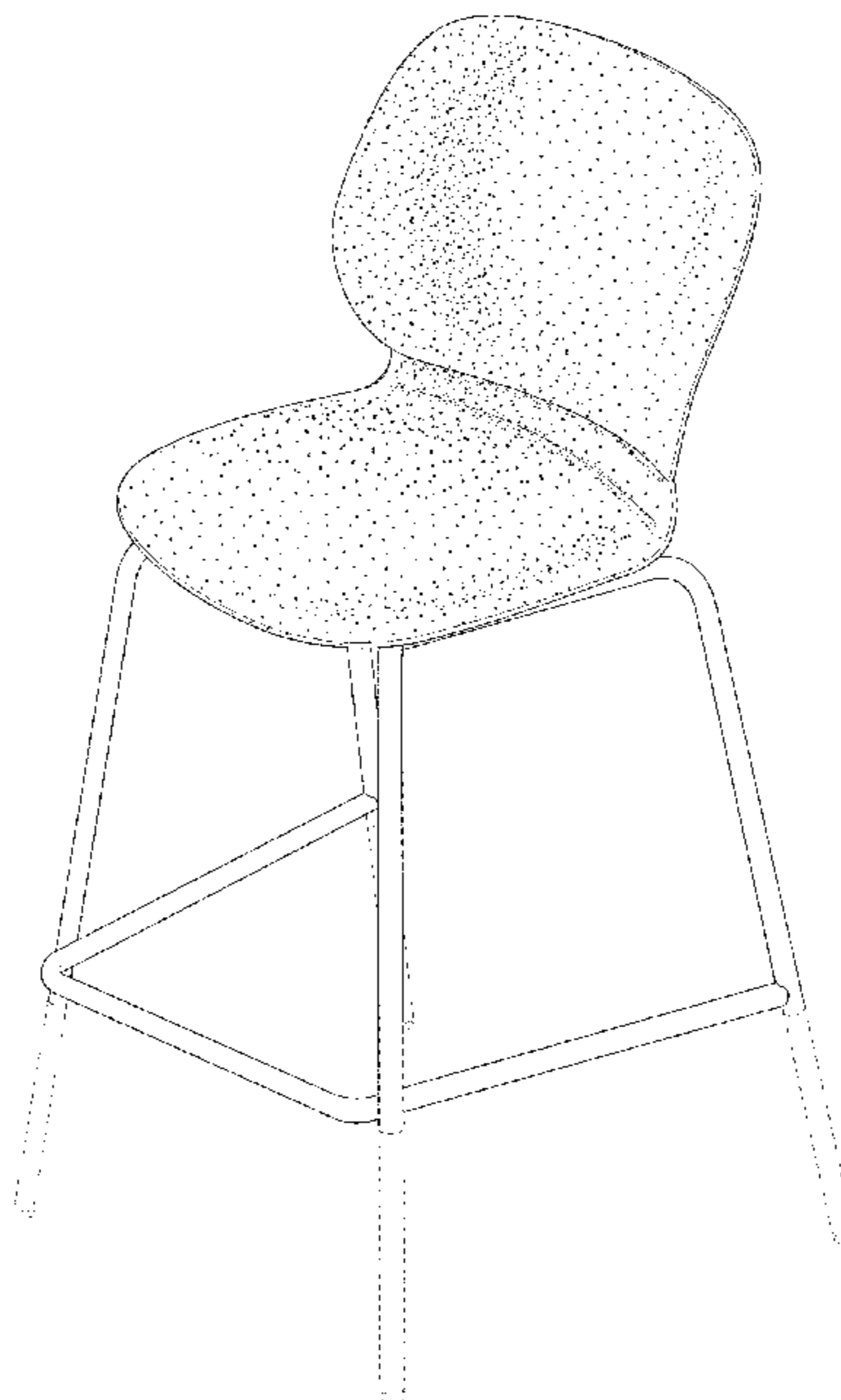
(57) **CLAIM**

The ornamental design for a chair, as shown and described.

DESCRIPTION

FIG. 1 is a front perspective view of the chair embodying the new design;
FIG. 2 is a rear perspective view thereof;
FIG. 3 is a front view thereof;
FIG. 4 is a rear view thereof;
FIG. 5 is a right side view thereof;
FIG. 6 is a left side view thereof;
FIG. 7 is a top view thereof; and,
FIG. 8 is a bottom view thereof.
FIGS. 1-8 show portions of a chair in broken lines. The portions shown in broken lines are for environmental purposes only and form no part of the claimed design. Stipple shading is added to FIG. 1 to convey surface contouring; the stipple shading is not to be understood as conveying a particular surface finish.

1 Claim, 7 Drawing Sheets



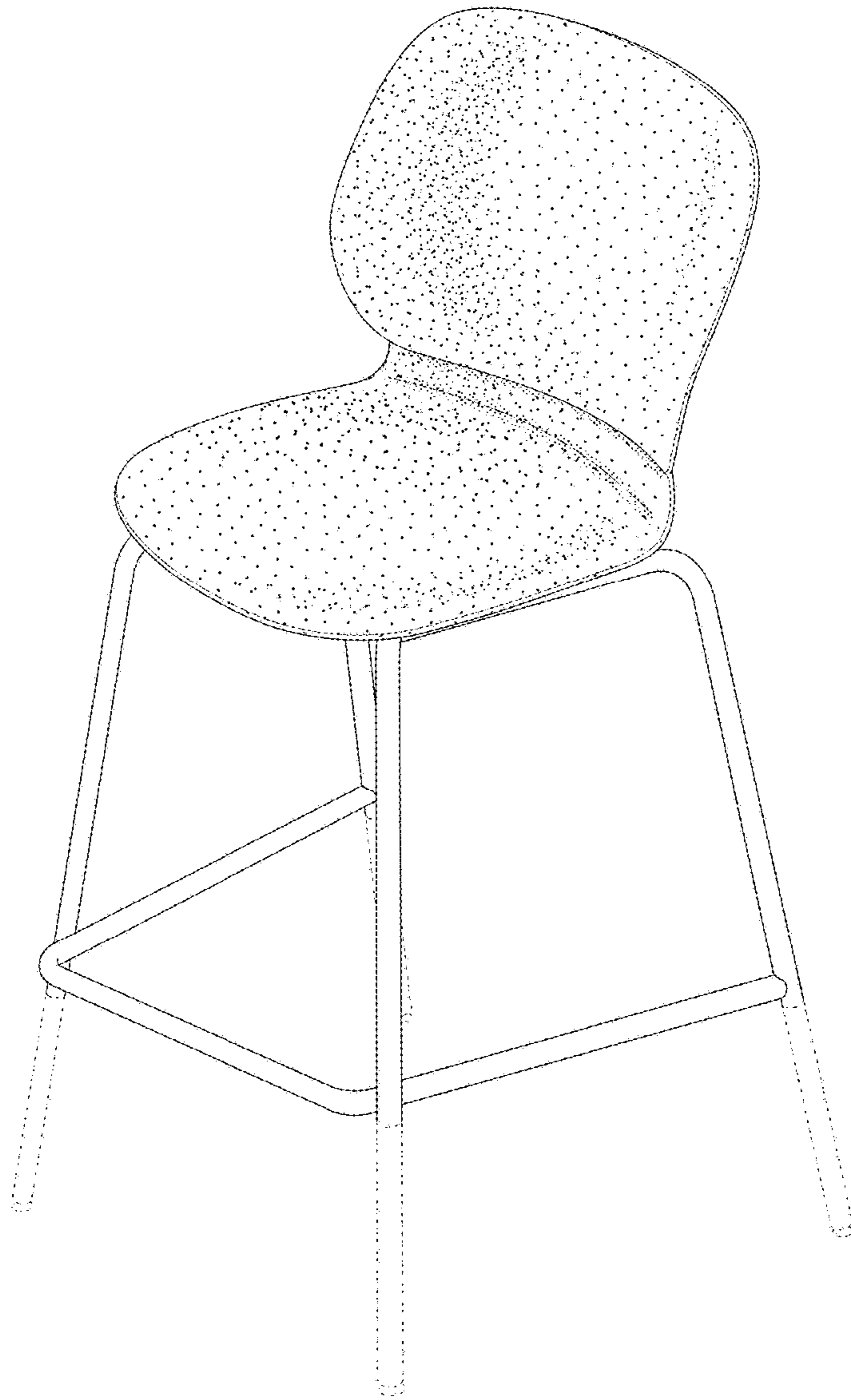


Fig. 1

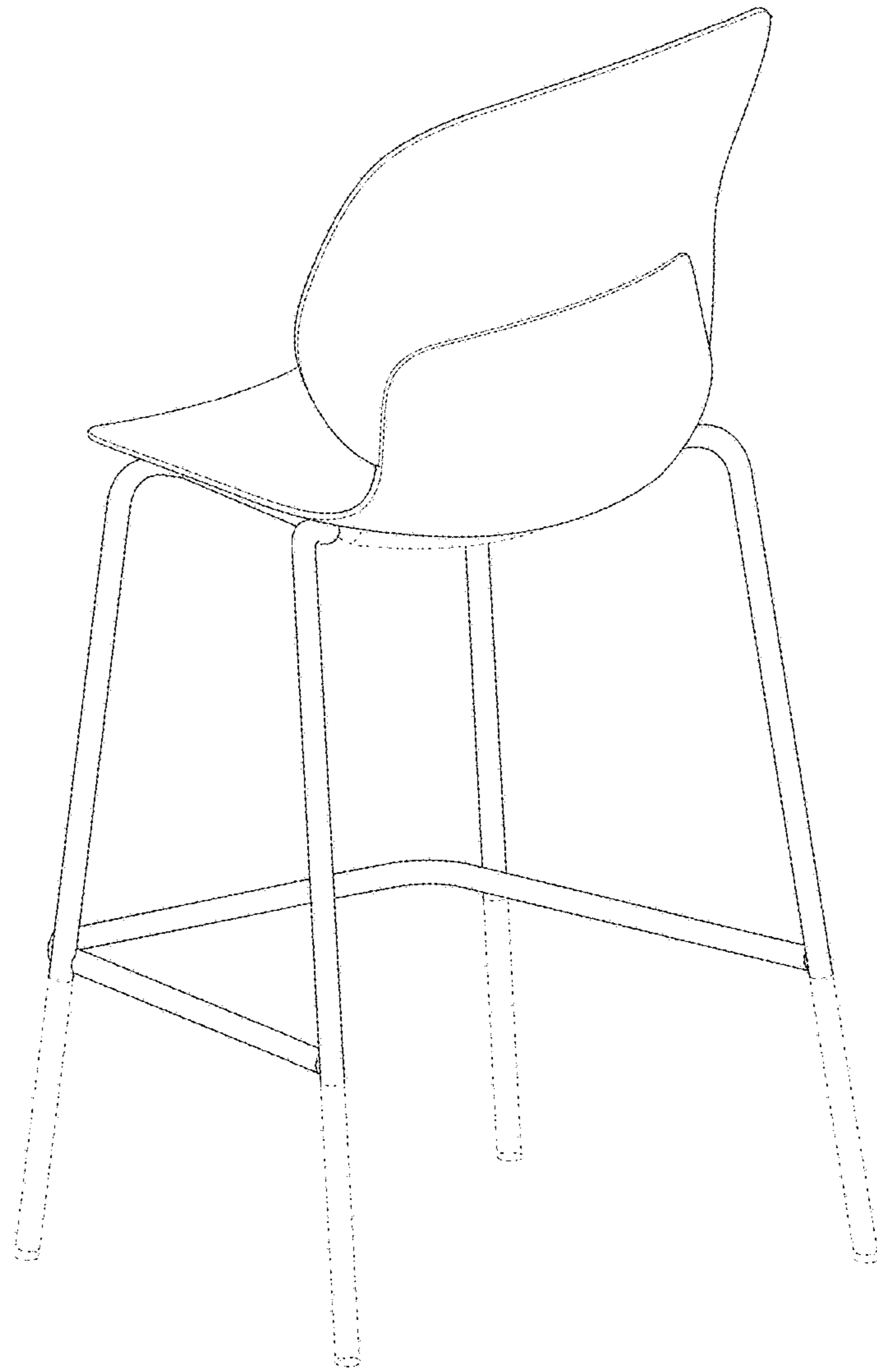


Fig. 2

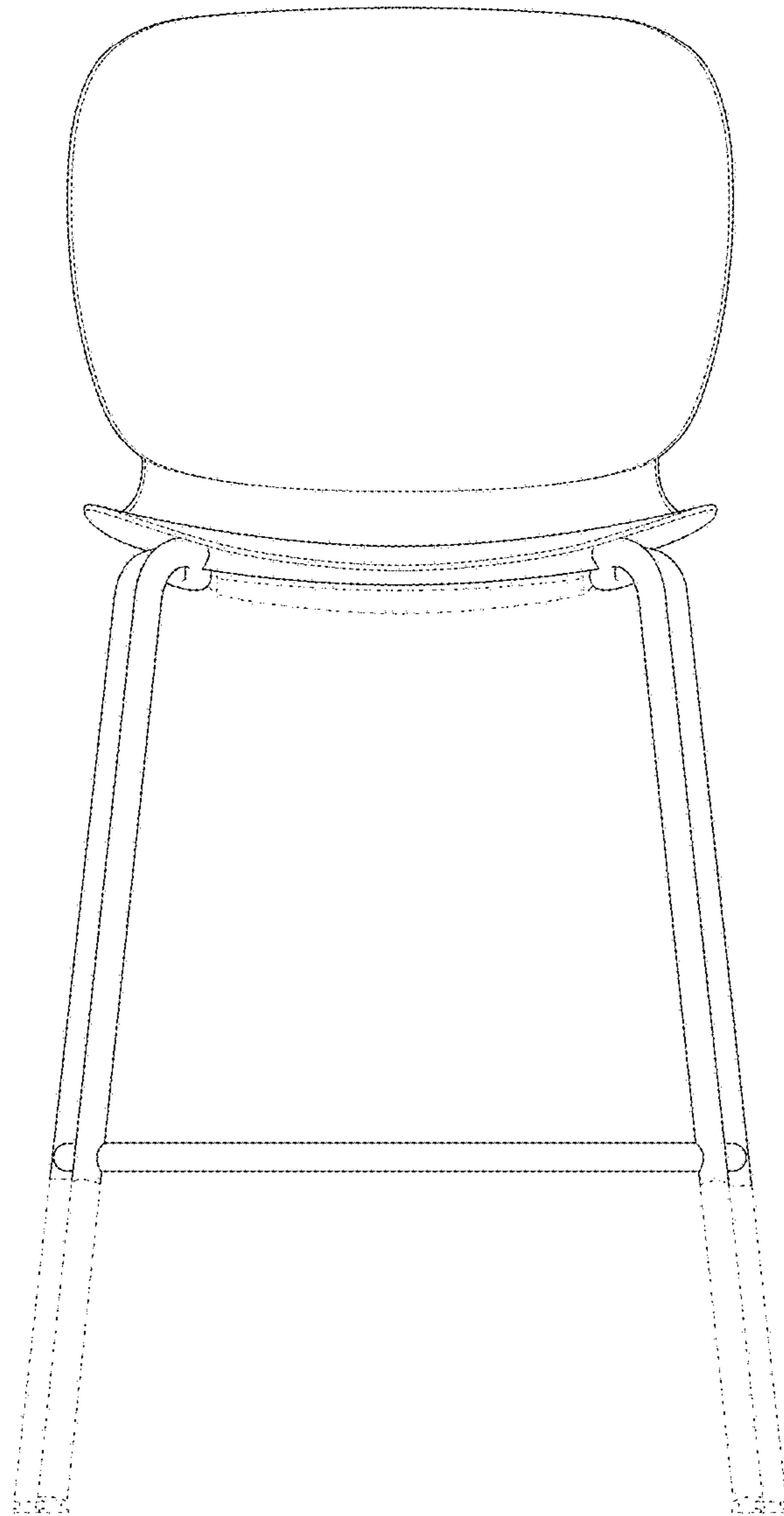


Fig. 3

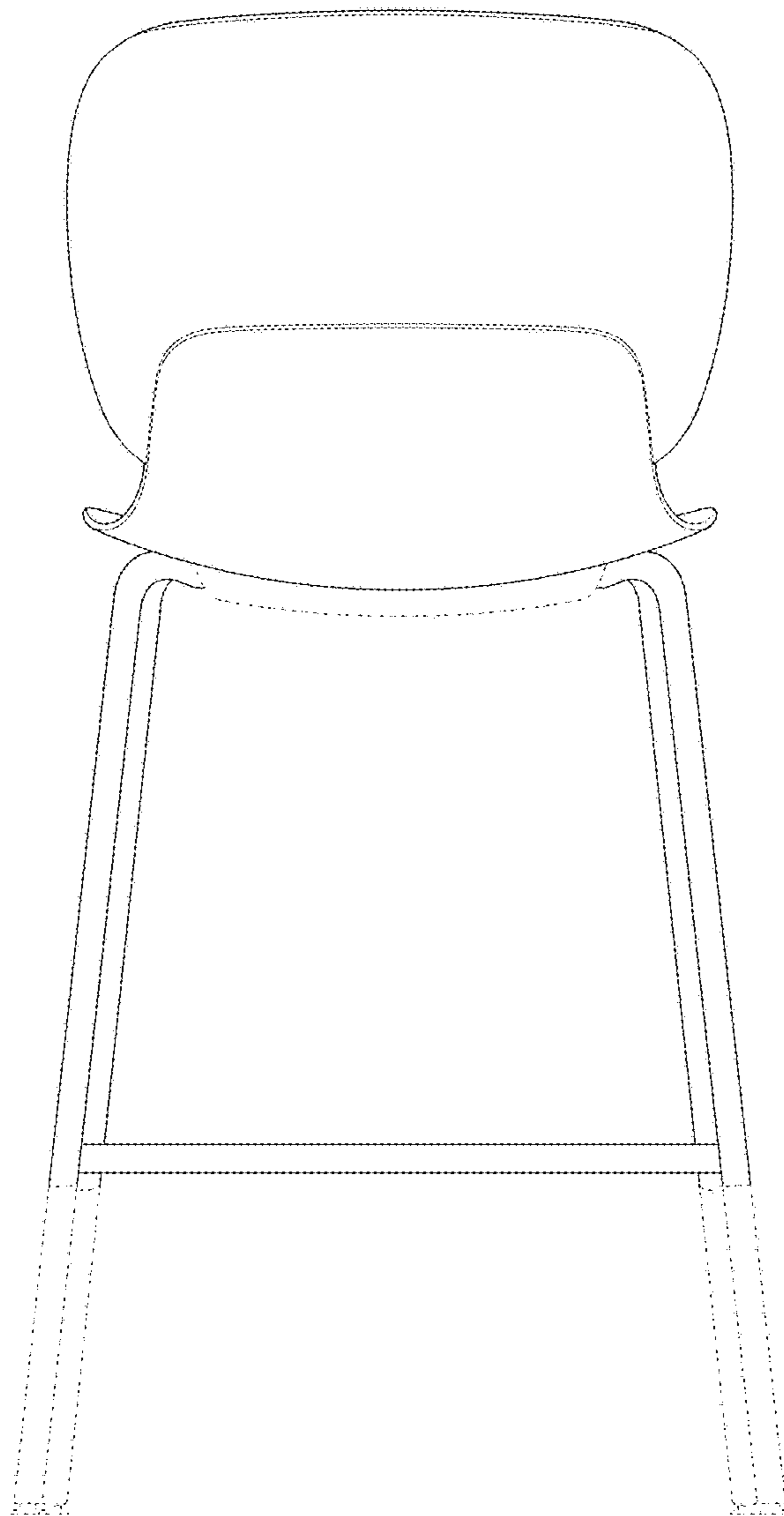


Fig. 4

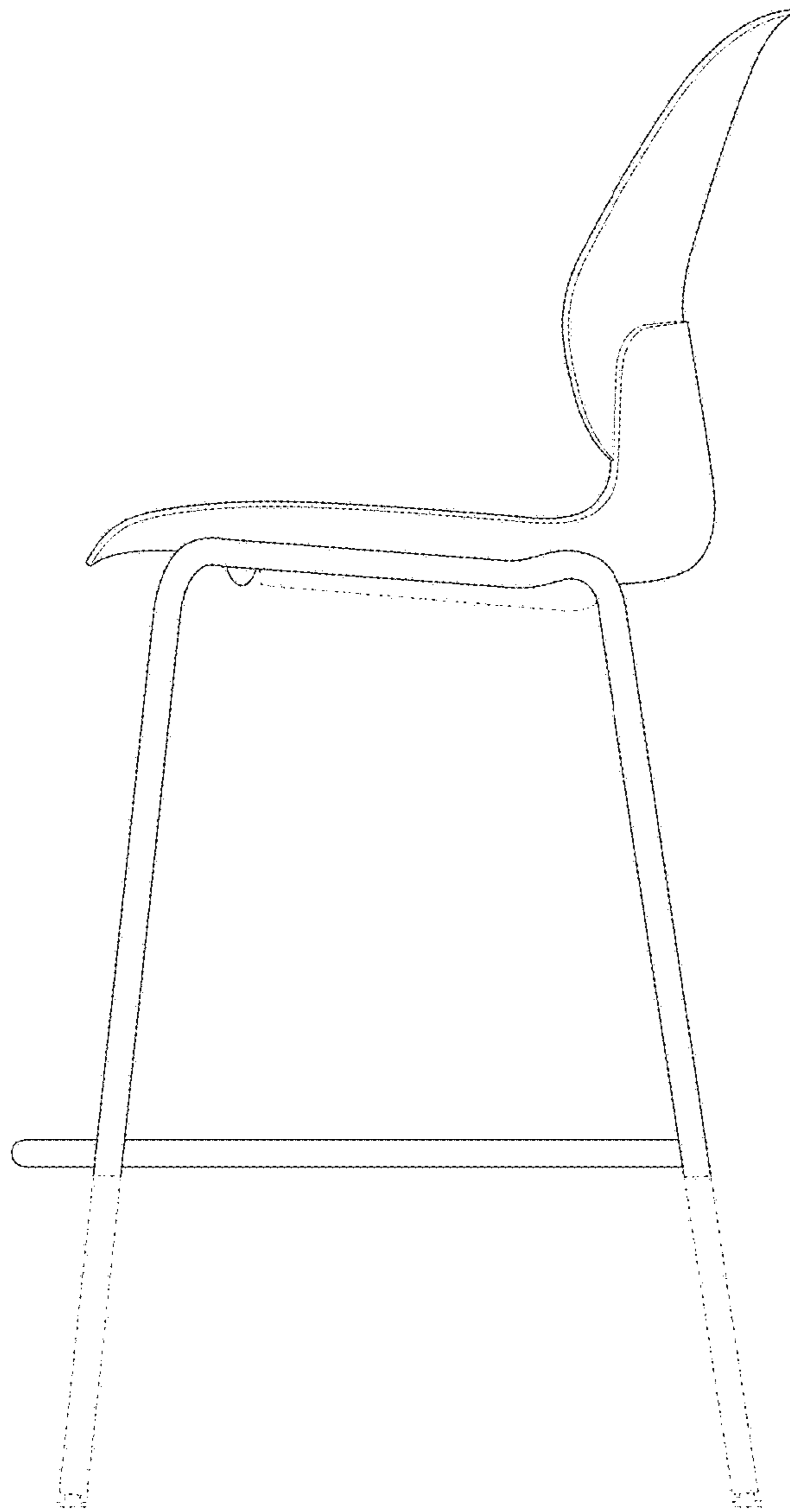


Fig. 5

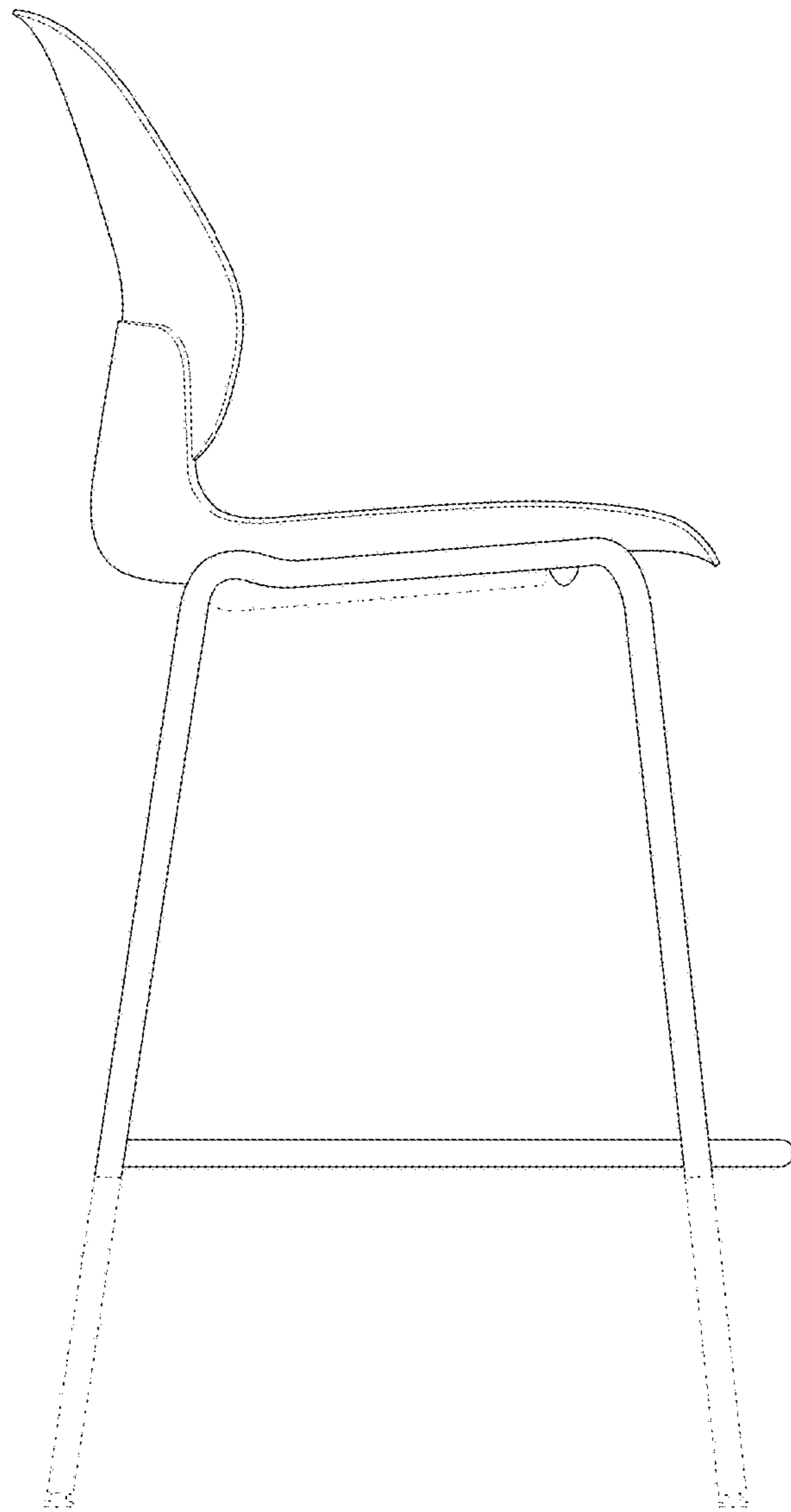


Fig. 6

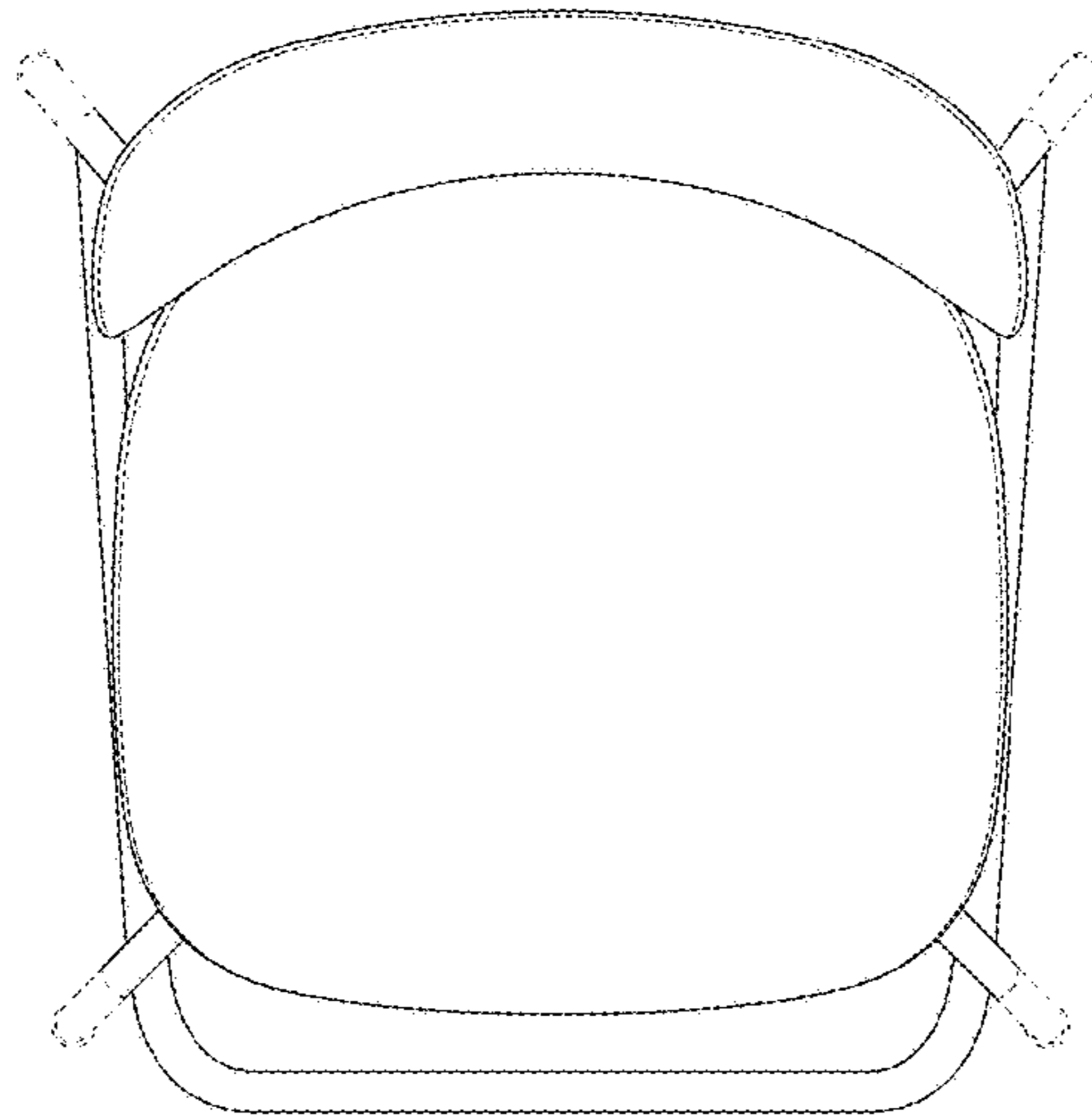


Fig. 7

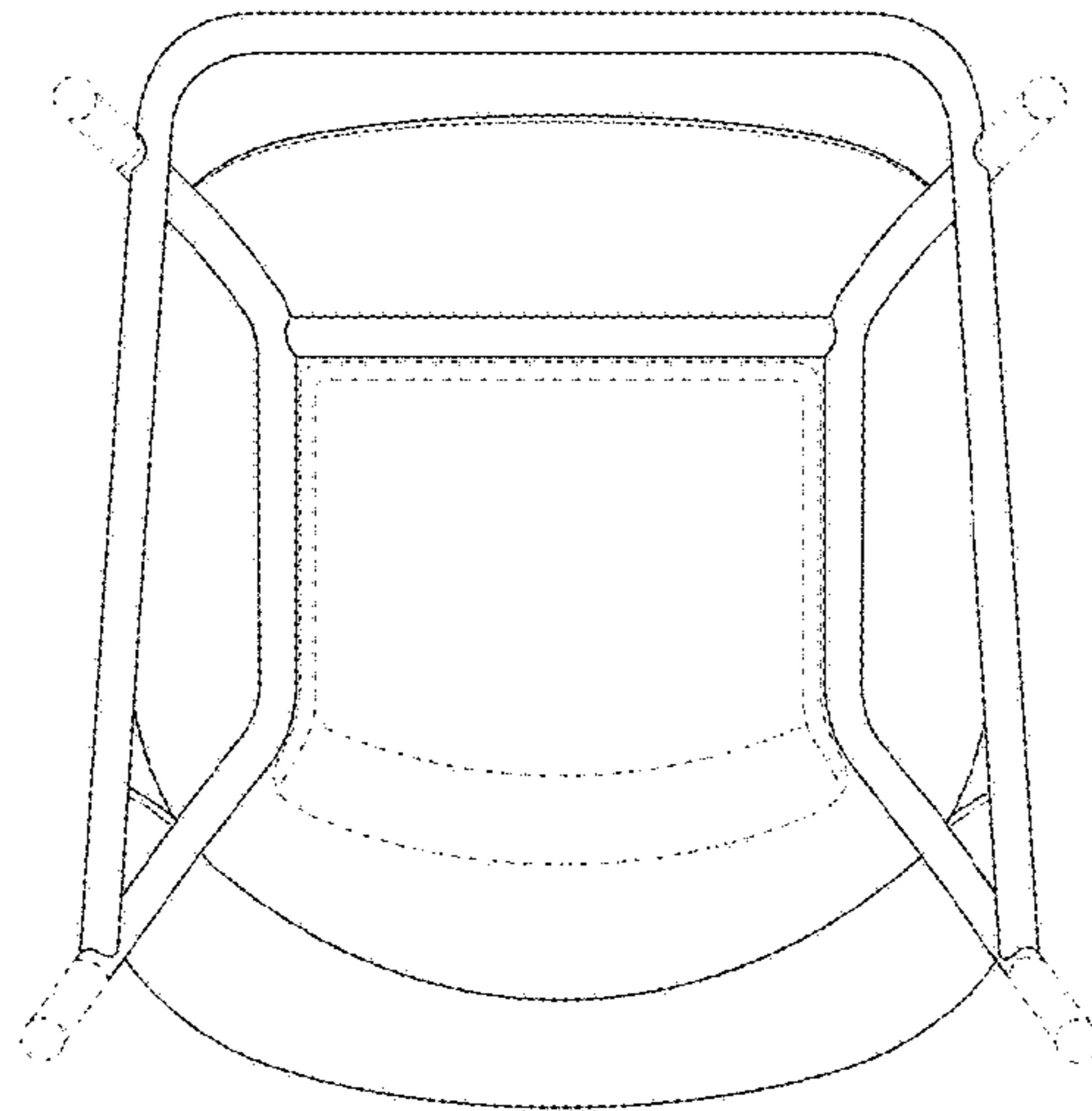


Fig. 8