



US00D860663S

(12) **United States Design Patent**  
**Zioni**

(10) **Patent No.:** **US D860,663 S**

(45) **Date of Patent:** **\*\* Sep. 24, 2019**

(54) **TOILET STOOL**

(71) Applicant: **CROWNWELL LLC**, Los Angeles,  
CA (US)

(72) Inventor: **Yaniv Zioni**, Los Angeles, CA (US)

(73) Assignee: **Crownwell, LLC**, Los Angeles, CA  
(US)

(\*\*) Term: **15 Years**

(21) Appl. No.: **29/643,247**

(22) Filed: **Apr. 5, 2018**

(51) **LOC (12) Cl.** ..... **06-01**

(52) **U.S. Cl.**  
USPC ..... **D6/353**

(58) **Field of Classification Search**  
USPC ..... D6/334-338, 340-343, 349-353, 355,  
D6/364-365, 691-691.9, 692-692.6;  
D25/65  
CPC ..... A47B 7/00-02; A47C 11/00; A47C 13/00;  
A47C 16/00; A47C 16/02-04; A47C  
9/00-105; A47C 17/02; A47C 17/028  
See application file for complete search history.

(56) **References Cited**

**U.S. PATENT DOCUMENTS**

322,792 A \* 7/1885 Clark ..... A47C 16/02  
297/423.41  
557,867 A \* 4/1896 Norton ..... A47B 9/00  
108/12  
1,371,069 A \* 3/1921 Brown ..... A47C 4/14  
108/119  
2,384,234 A \* 9/1945 Breese ..... A47B 85/04  
297/2  
D149,619 S \* 5/1948 Dahm ..... 108/118  
D162,045 S \* 2/1951 Lee ..... D6/691  
2,551,388 A \* 5/1951 Nygard ..... A47C 20/021  
5/640

2,624,469 A \* 1/1953 Adamson ..... A47B 3/02  
108/116  
4,536,032 A \* 8/1985 Highberger ..... A47C 16/025  
297/118  
4,544,203 A \* 10/1985 Younger ..... A47G 9/1009  
108/118

(Continued)

**OTHER PUBLICATIONS**

Furniture Life Squatting Toilet Stool, Folding Bamboo Wood [online]  
Published as early as Feb. 7, 2018. Retrieved Mar. 15, 2019 from  
URL: [https://www.amazon.com/Furniture-Life-Squatting-Portable-Friendly/dp/B078DV4WC1/ref=cm\\_cr\\_arp\\_d\\_product\\_top?ie=UTF8](https://www.amazon.com/Furniture-Life-Squatting-Portable-Friendly/dp/B078DV4WC1/ref=cm_cr_arp_d_product_top?ie=UTF8).\*

(Continued)

*Primary Examiner* — Vy N Koenig

(74) *Attorney, Agent, or Firm* — Payam Moradian

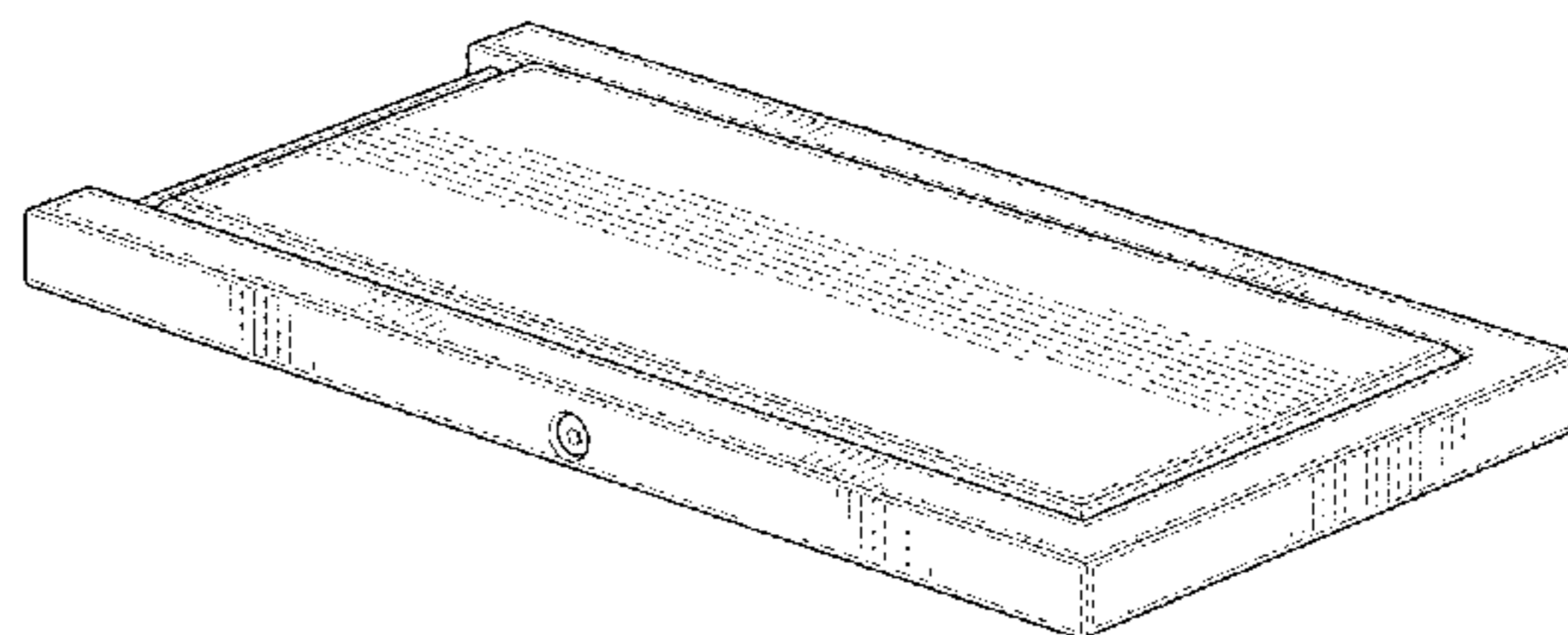
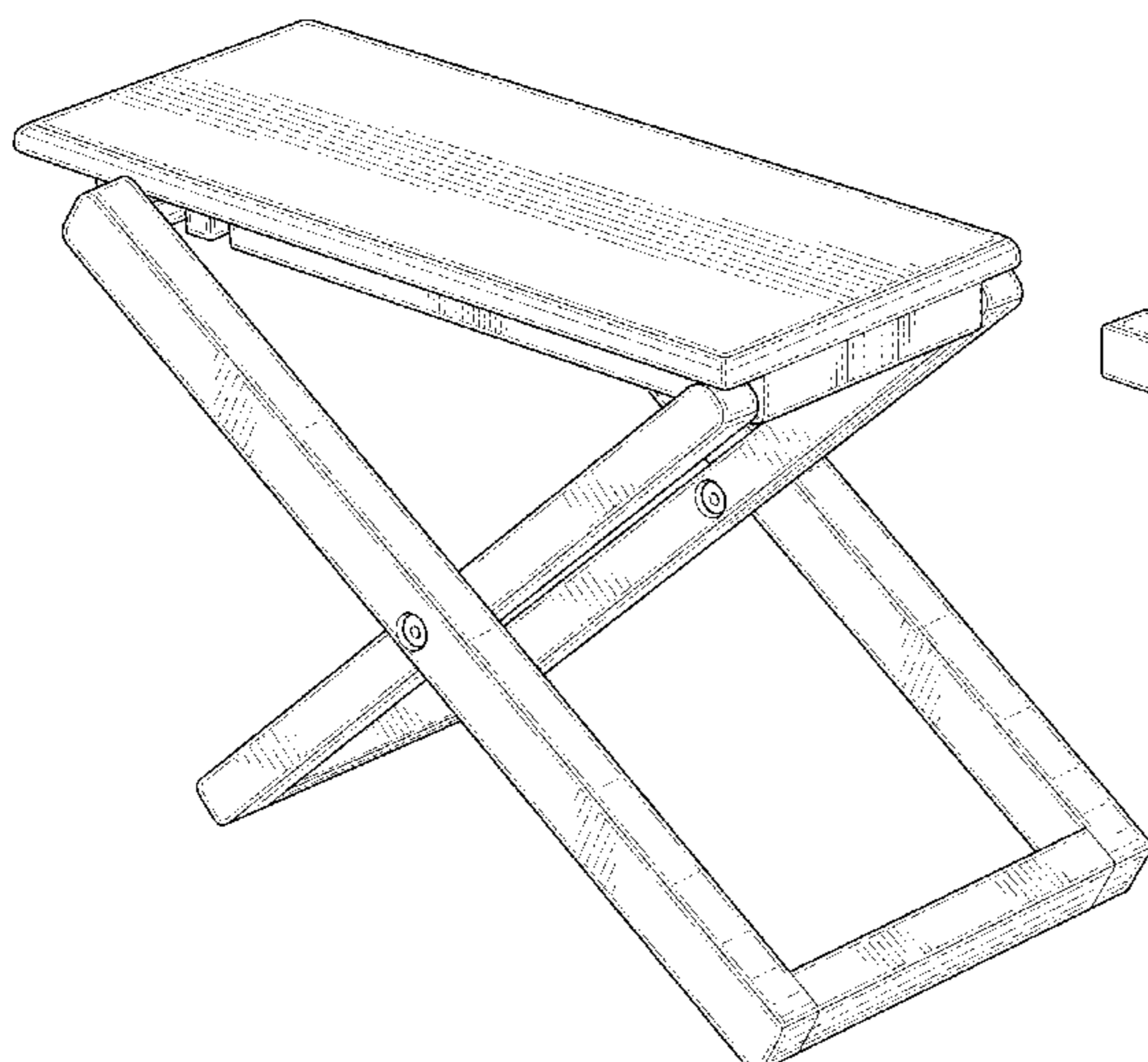
(57) **CLAIM**

The ornamental design for the toilet stool, as shown and described.

**DESCRIPTION**

FIG. 1 is a top perspective view of a toilet stool according to a first, expanded configuration showing my new design; FIG. 2 is a left side view thereof; FIG. 3 is a right side view thereof; FIG. 4 is a back side view thereof; FIG. 5 is a front side view thereof; FIG. 6 is a top plan view thereof; FIG. 7 is a bottom plan view thereof; FIG. 8 is a top perspective view of a toilet stool according to a second, closed configuration; FIG. 9 is a right view thereof; FIG. 10 is a left view thereof; FIG. 11 is a front view thereof; FIG. 12 is a rear view thereof; FIG. 13 is a top plan view thereof; and, FIG. 14 is a bottom plan view thereof.

**1 Claim, 11 Drawing Sheets**



(56)

**References Cited**

U.S. PATENT DOCUMENTS

D287,318 S \* 12/1986 Garduno ..... 5/655  
D364,745 S \* 12/1995 Rettenberger ..... D6/336  
5,722,717 A \* 3/1998 Rettenberger ..... A47C 7/62  
297/183.5  
6,839,927 B1 \* 1/2005 Crane ..... A47G 9/10  
5/639  
D546,588 S \* 7/2007 Massaud ..... D6/691  
D553,371 S \* 10/2007 Haskell ..... D6/353  
D555,918 S \* 11/2007 Massaud ..... D6/349  
D614,423 S \* 4/2010 Mohazzabi ..... D6/349  
D815,473 S \* 4/2018 Westergard ..... D6/686  
D833,161 S \* 11/2018 Haskell ..... D6/353  
2010/0071600 A1 \* 3/2010 Lin ..... A47B 3/08  
108/115

OTHER PUBLICATIONS

Squat N Go Bamboo X Toilet Stool. [online] Published Aug. 26, 2018. Retrieved Feb. 26, 2019 from URL: <https://www.amazon.com/Squat-Go-Adjustable-Portable-Friendly/dp/B071LN557V>.  
Amazon, Relaxx toilet stool, office action of U.S. Appl. No. 29/599,689, filed Apr. 5, 2017.

\* cited by examiner

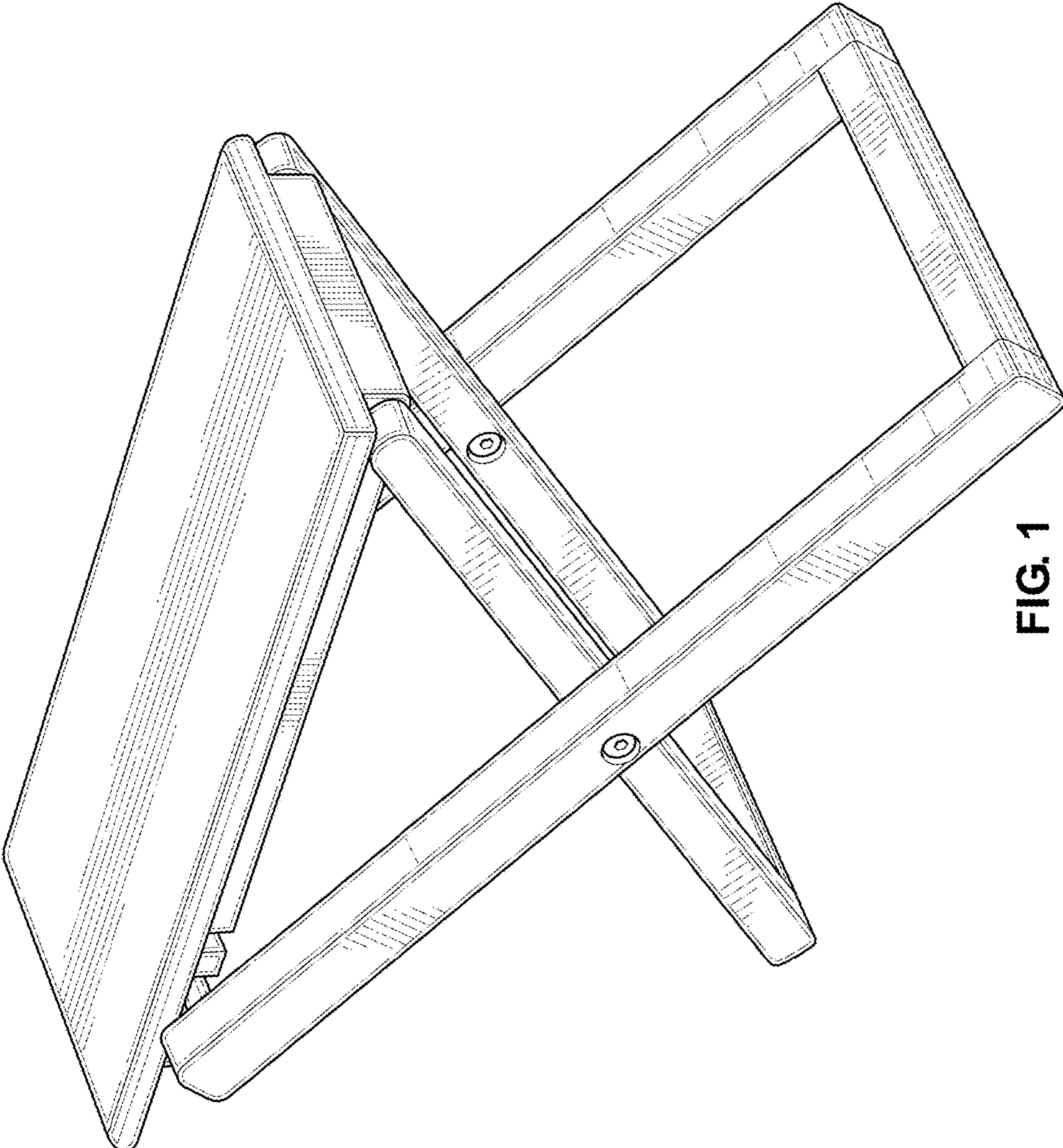


FIG. 1

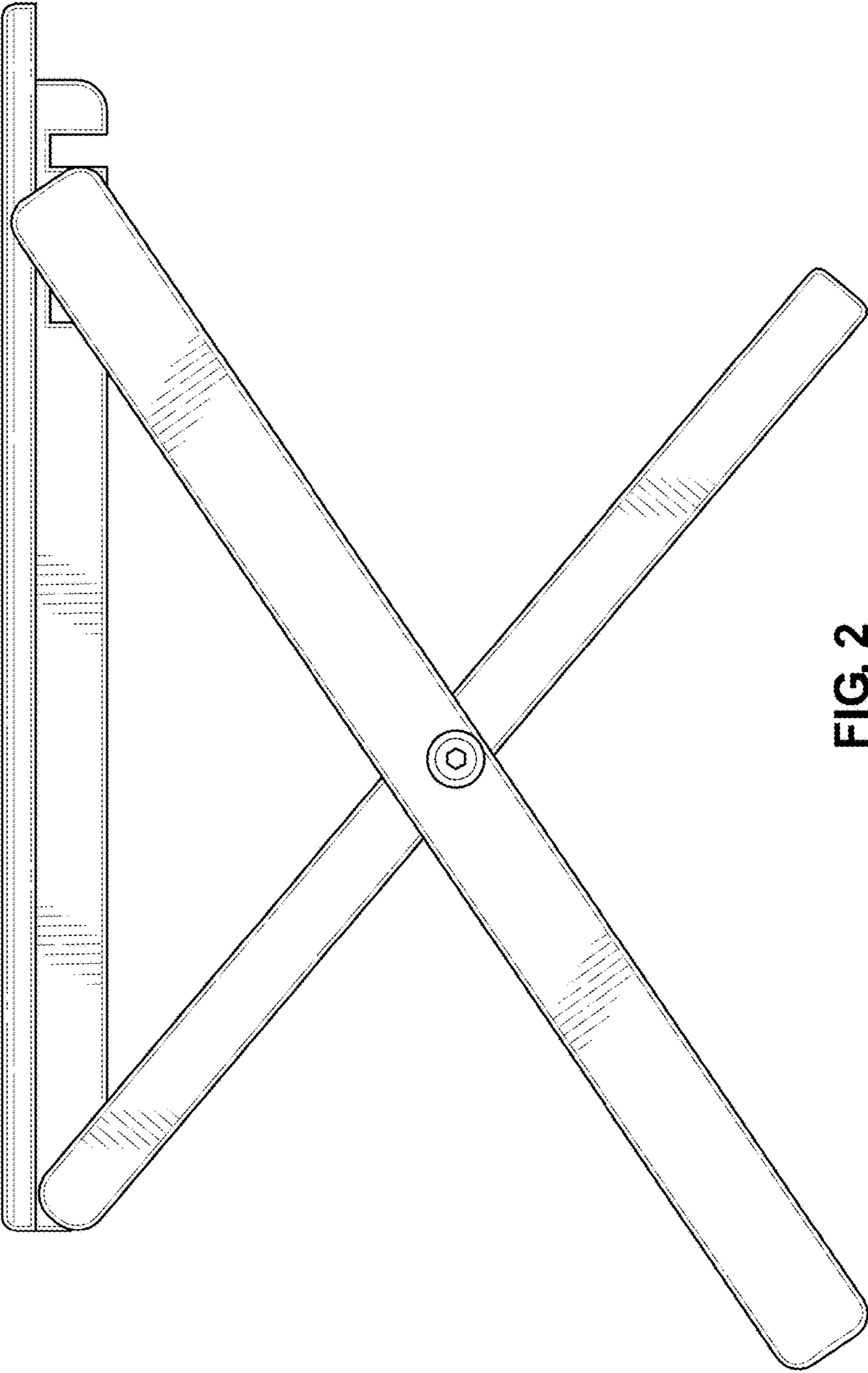


FIG. 2

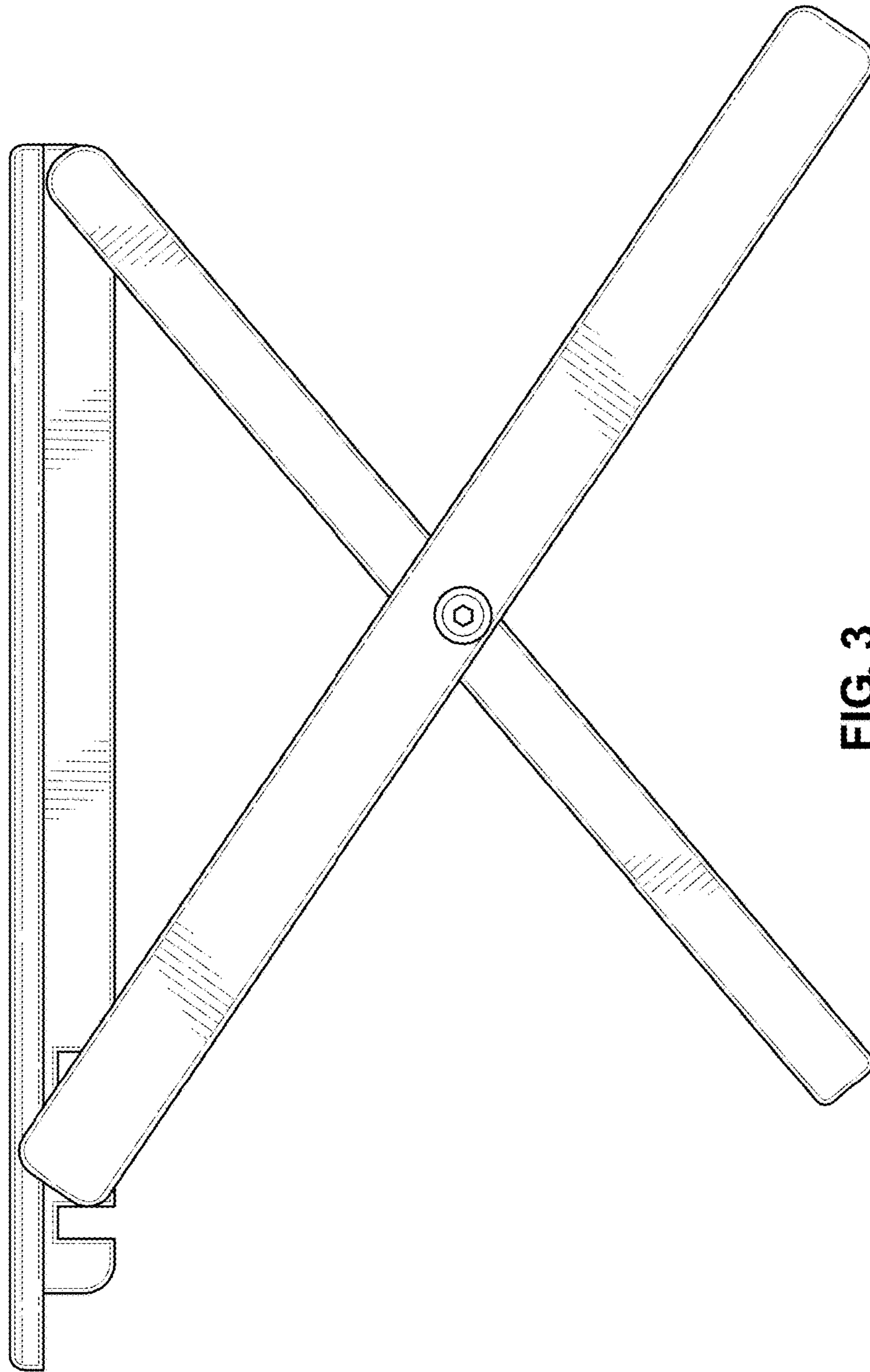


FIG. 3

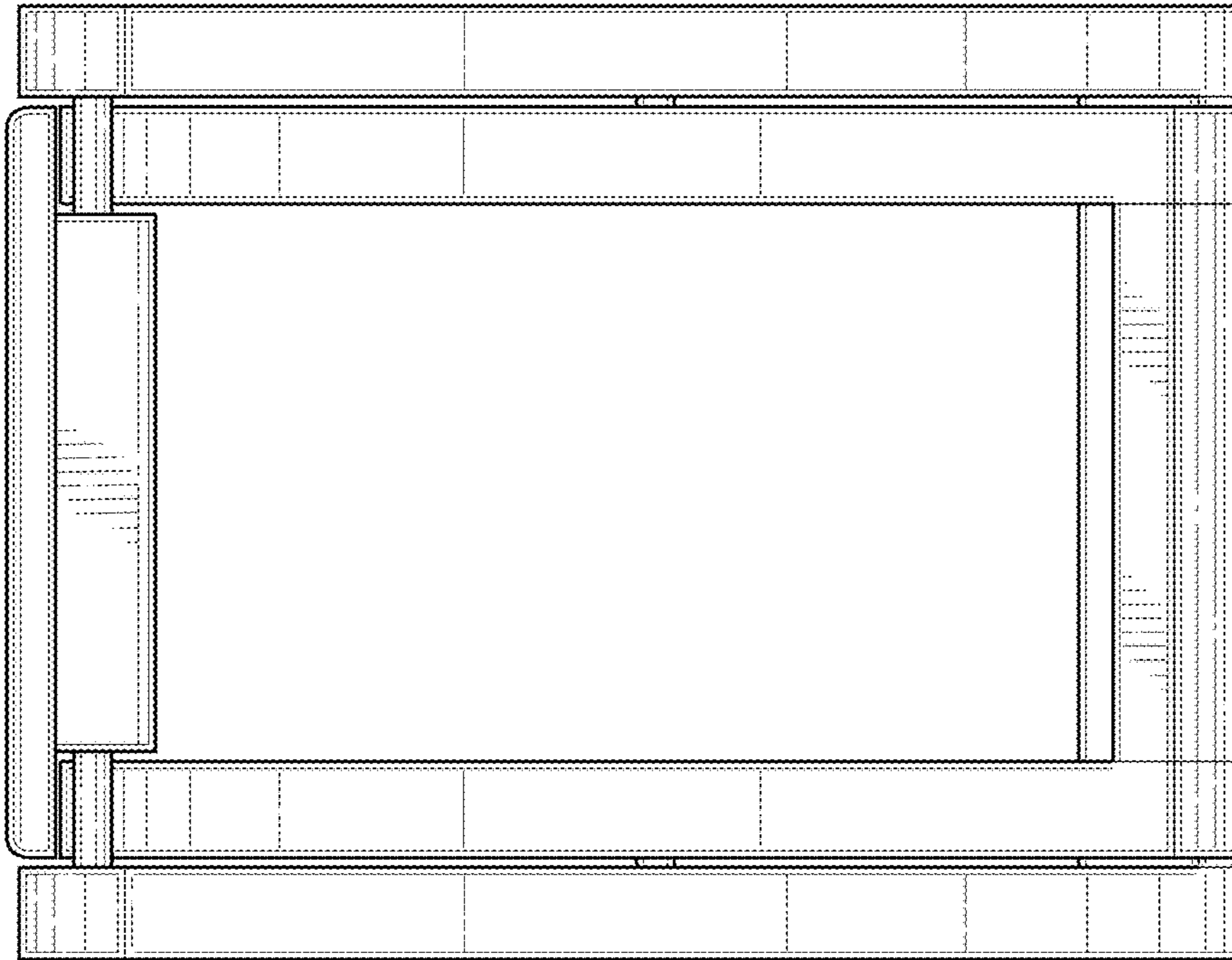


FIG. 5

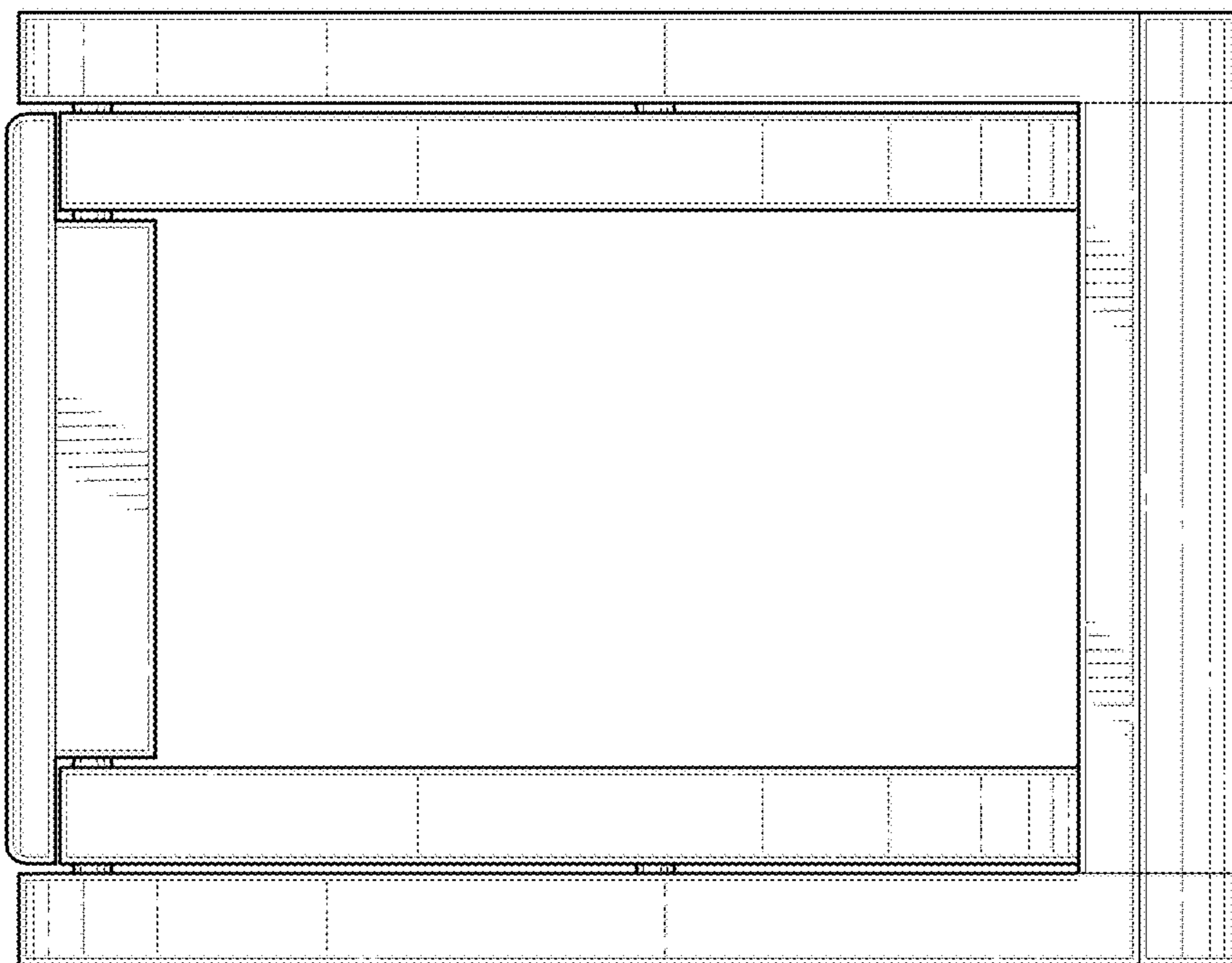


FIG. 4

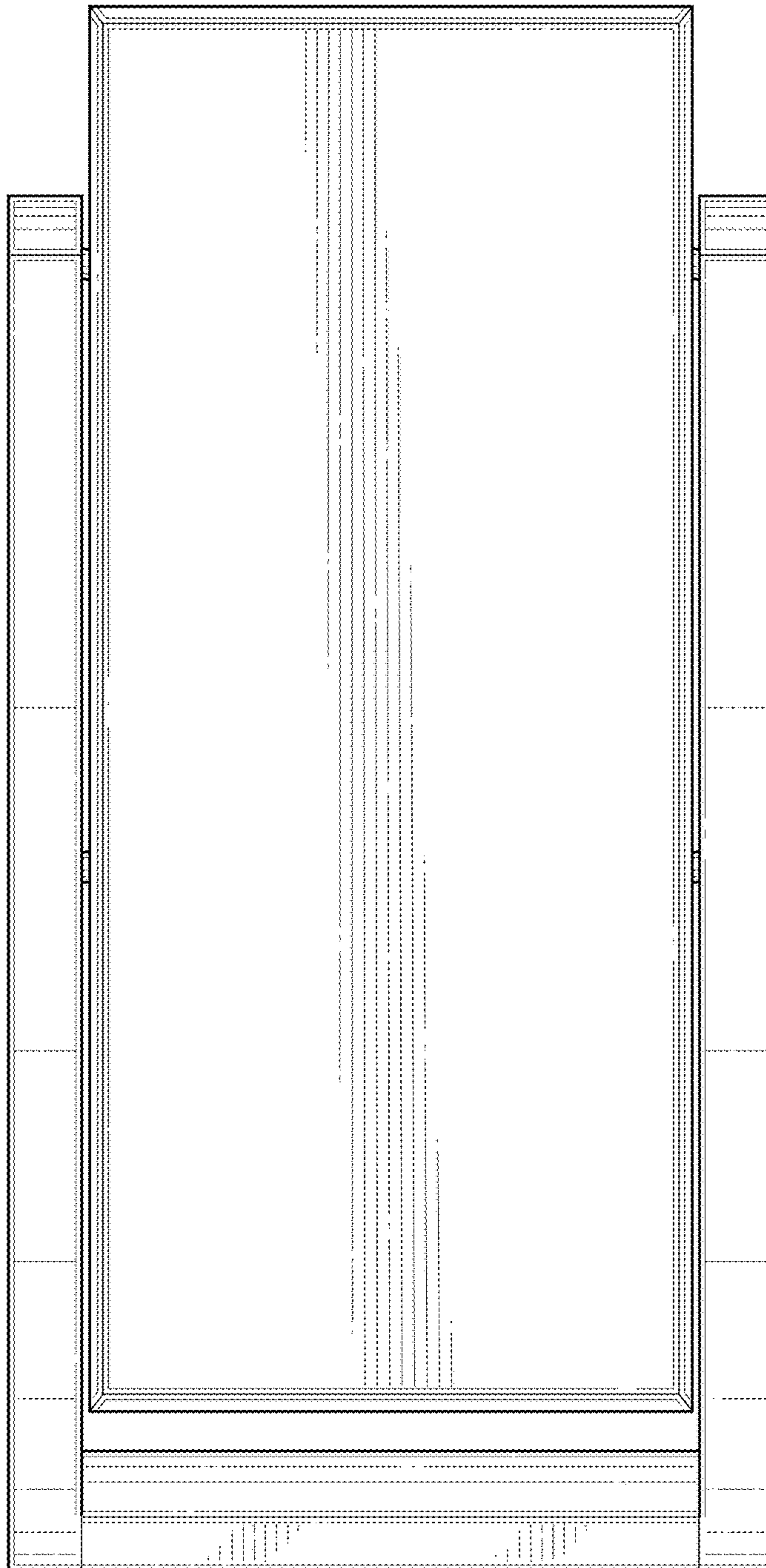


FIG. 6

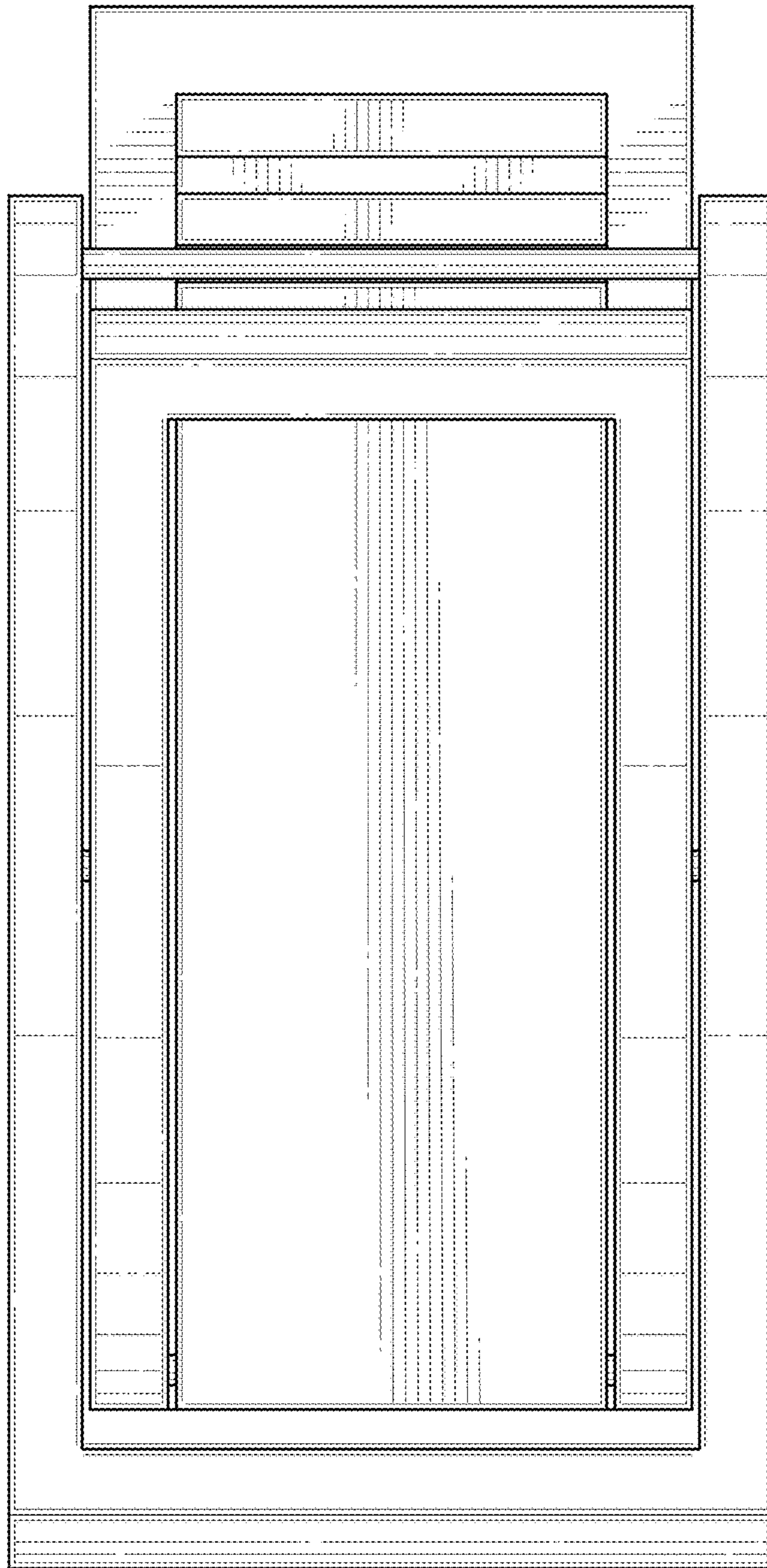


FIG. 7



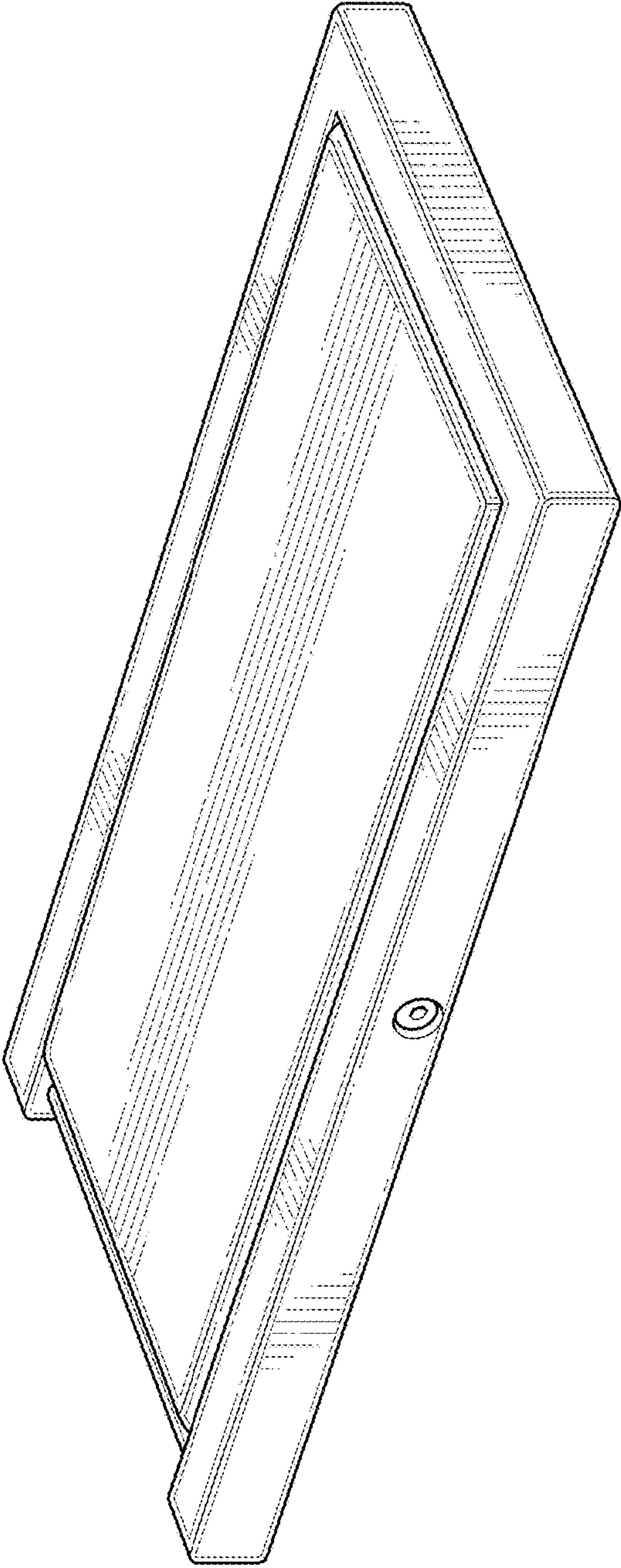
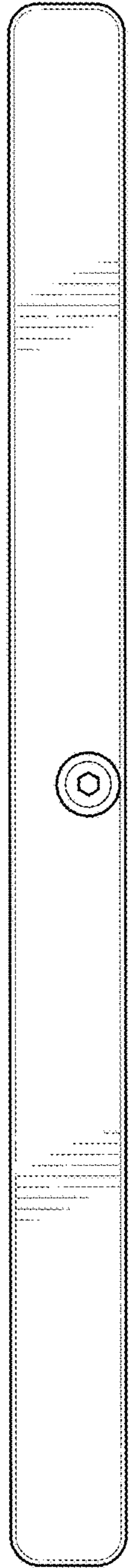
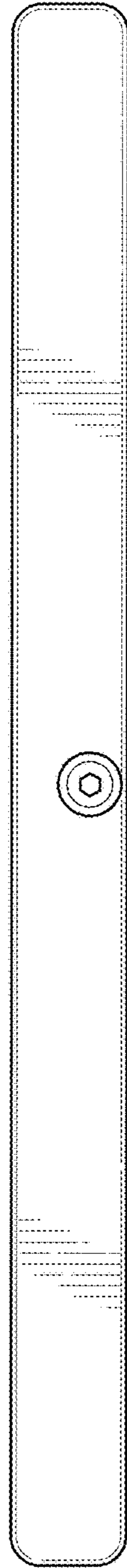


FIG. 8



**FIG. 9**



**FIG. 10**

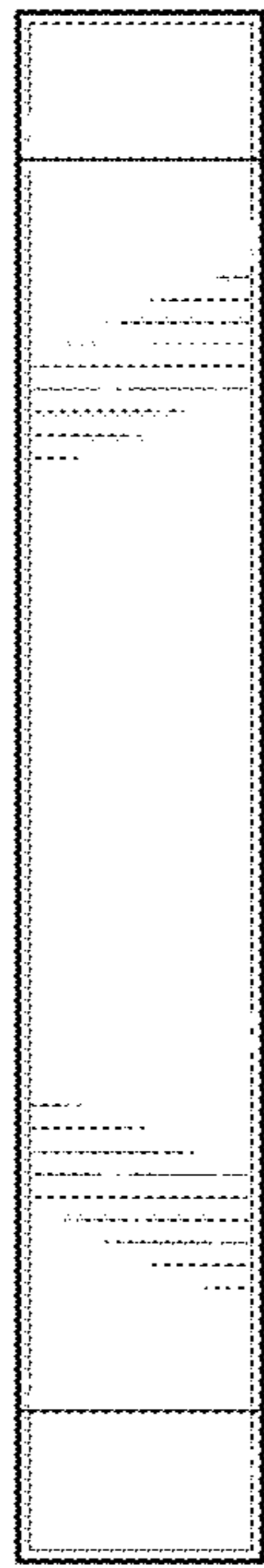


FIG. 11

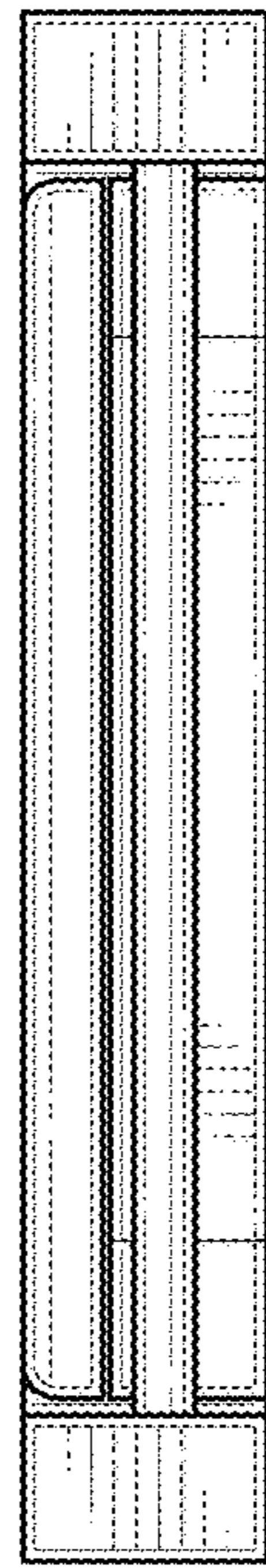


FIG. 12

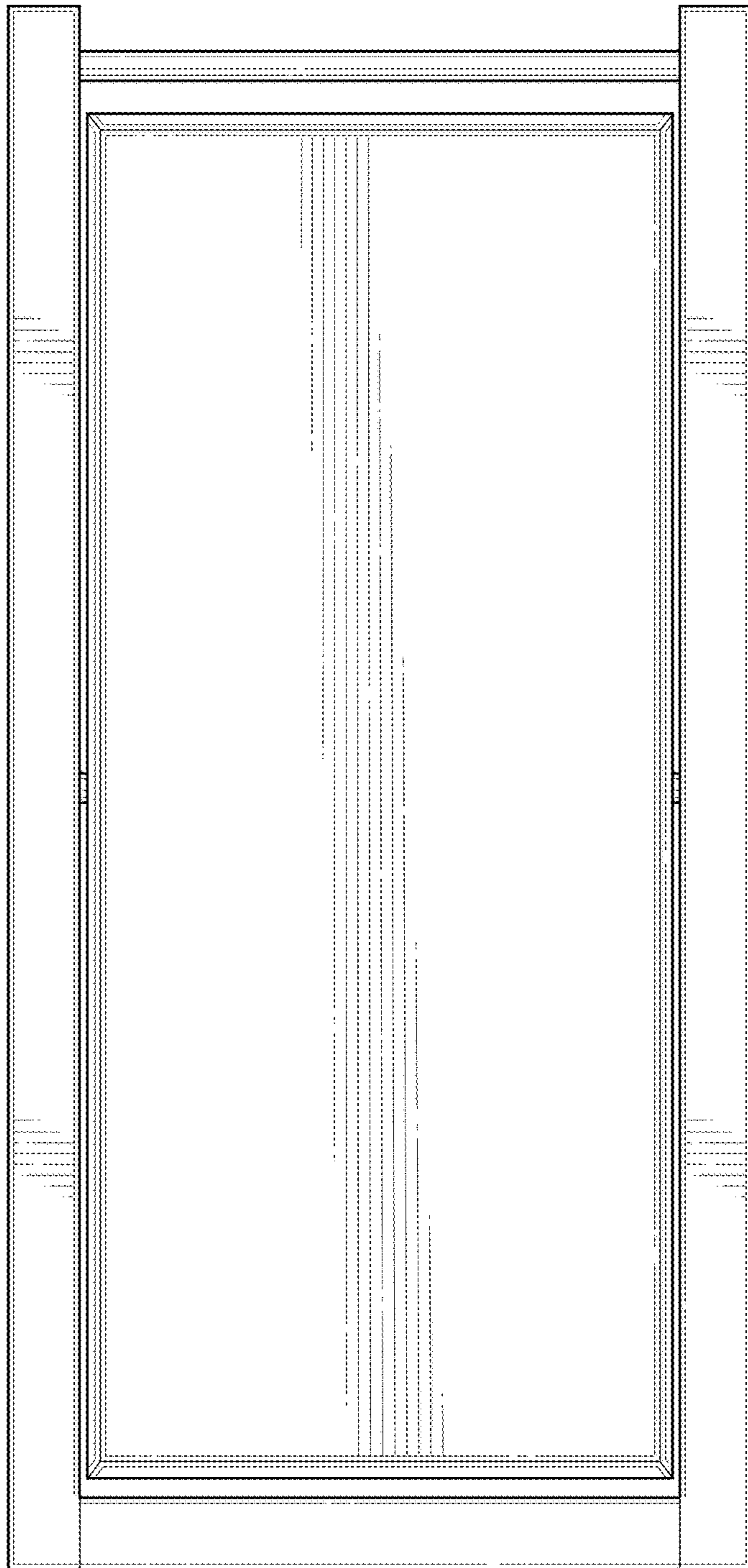


FIG. 13

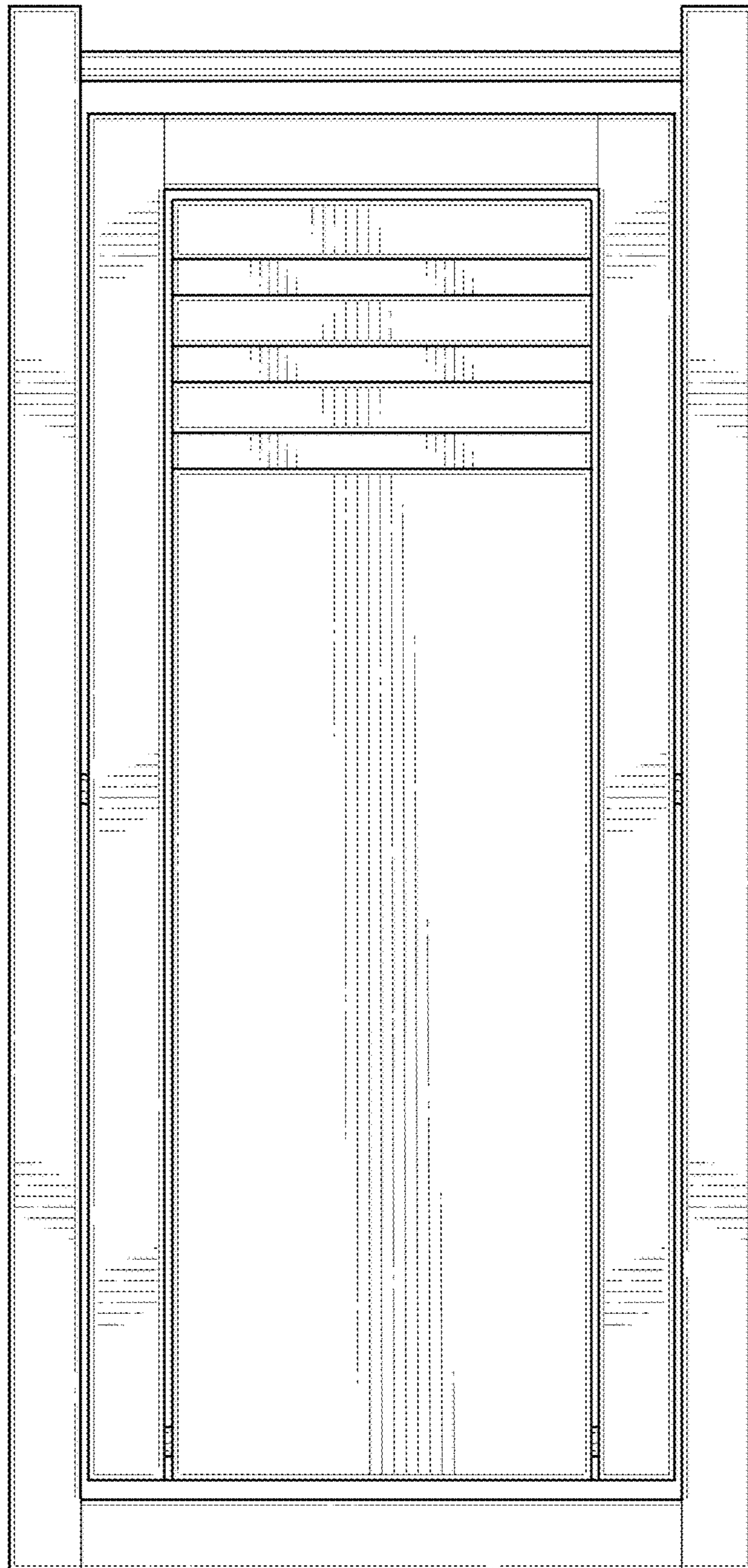


FIG. 14