



US00D860661S

(12) **United States Design Patent**  
**Wynants**

(10) **Patent No.:** **US D860,661 S**

(45) **Date of Patent:** **\*\* \*Sep. 24, 2019**

(54) **TABLE**

(71) Applicant: **Dirk Wynants**, Poperinge (BE)

(72) Inventor: **Dirk Wynants**, Poperinge (BE)

(\*) Notice: This patent is subject to a terminal disclaimer.

(\*\*) Term: **15 Years**

(21) Appl. No.: **29/623,498**

(22) Filed: **Oct. 25, 2017**

(51) **LOC (12) Cl.** ..... **06-01**

(52) **U.S. Cl.**  
USPC ..... **D6/337**

(58) **Field of Classification Search**

USPC ..... D6/334–338, 340–342, 349, 716, 716.1

CPC ..... A47B 3/14; A47B 3/002; A47B 3/083;  
A47B 3/087; A47B 2003/145; A47B  
83/02

See application file for complete search history.

(56) **References Cited**

**U.S. PATENT DOCUMENTS**

681,394	A *	8/1901	Hile	.....	A47B 83/02 297/157.1
2,038,806	A *	4/1936	Sellar	.....	A47C 9/025 248/161
D233,191	S *	10/1974	Turner et al.	.....	D6/337
D244,409	S *	5/1977	Arnold	.....	D6/337
D283,856	S *	5/1986	Elmaleh	.....	D6/349
4,738,484	A *	4/1988	Leong	.....	A47B 83/02 297/158.3
5,029,938	A *	7/1991	Song	.....	A47B 83/02 108/35

(Continued)

**OTHER PUBLICATIONS**

Notice of Allowance issued by the USPTO on Oct. 17, 2018 for U.S. Appl. No. 29/623,513.

*Primary Examiner* — Deanna L Pratt

(74) *Attorney, Agent, or Firm* — SmithAmundsen LLC

(57) **CLAIM**

The ornamental design for a table, substantially as shown and described.

**DESCRIPTION**

FIG. 1 is a top perspective view of a first embodiment of the new design;

FIG. 2 is a bottom perspective view of the first embodiment of the new design;

FIG. 3 is a right side elevational view of the first embodiment of the new design;

FIG. 4 is a left side elevational view of the first embodiment of the new design;

FIG. 5 is a front elevational view of the first embodiment of the new design;

FIG. 6 is a rear elevational view of the first embodiment of the new design;

FIG. 7 is a top plan view of the first embodiment of the new design;

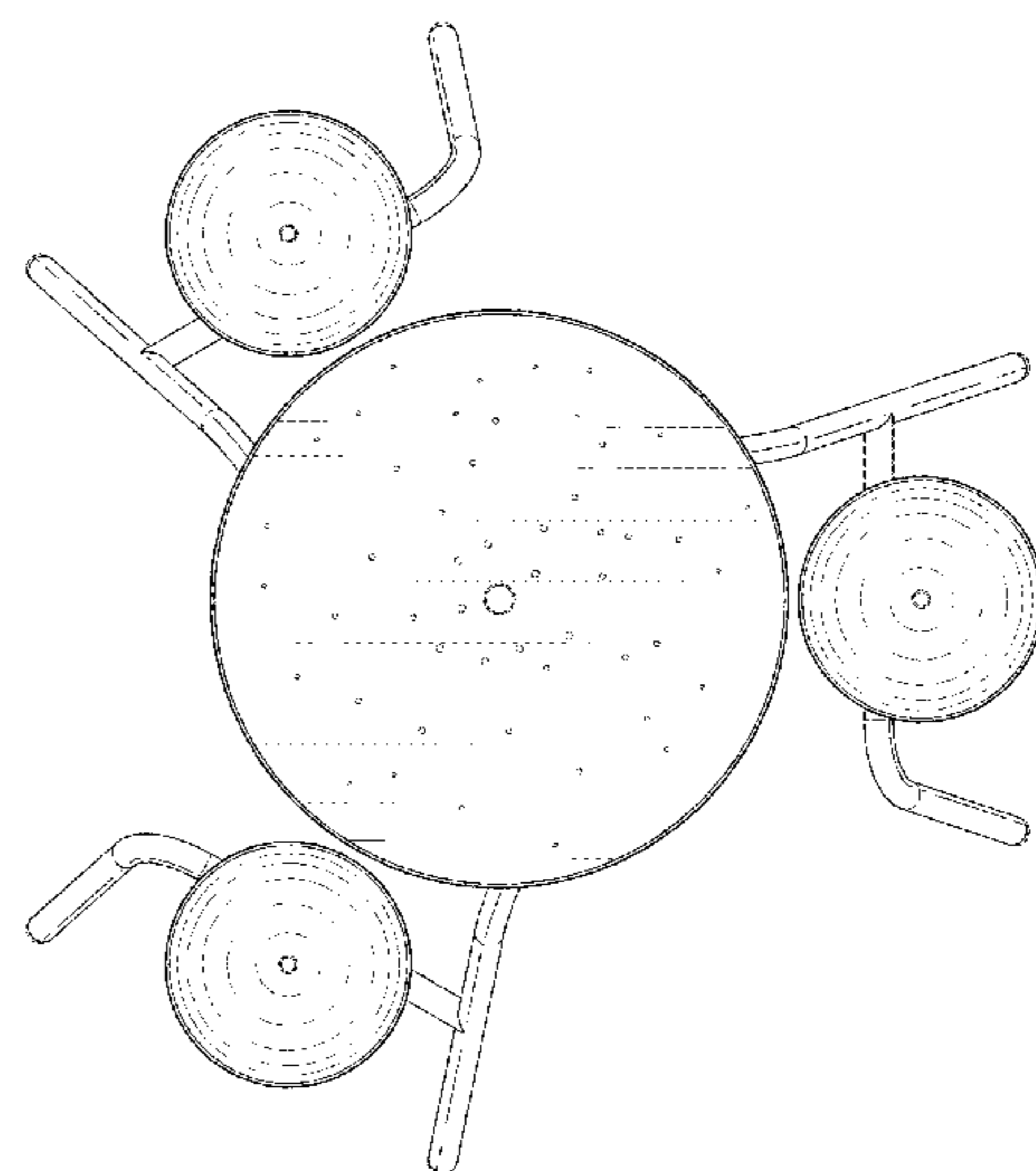
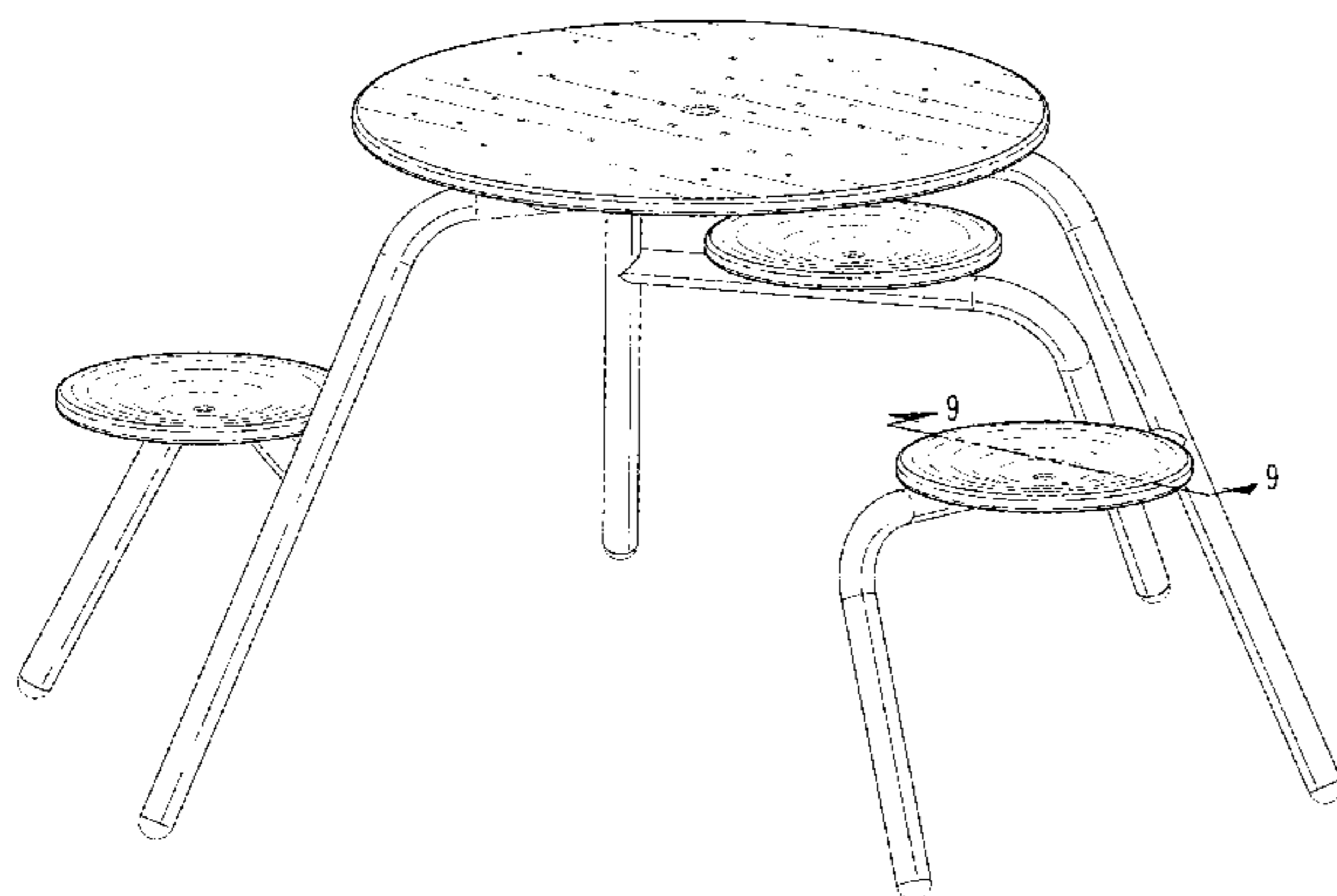
FIG. 8 is a bottom plan view of the first embodiment of the new design;

FIG. 9 is a close-up cross-sectional view of a seat portion of the first embodiment of the new design taken along line 9-9 of FIG. 1 depicting the shape of the three seat portions; and,

FIG. 10 is a close-up cross-sectional view of a seat portion of a second embodiment of the new design taken along line 9-9 of FIG. 1 depicting the shape of the three seat portions.

The design consists of the features of shape, ornamentation, and configuration of the article shown in the drawings. The broken lines shown in the drawings, which include the small holes in the table portion and the small holes in the brackets beneath the table and seat portions, are for the purposes of illustrating portions of the article or possible environment and form no part of the claimed design.

**1 Claim, 7 Drawing Sheets**



(56)

**References Cited**

U.S. PATENT DOCUMENTS

D369,913	S	*	5/1996	Noll	.....	D6/337
5,782,526	A	*	7/1998	Ott	.....	A47B 83/02
						297/157.1
6,065,802	A	*	5/2000	Bue	.....	A47B 3/14
						108/168
6,102,475	A	*	8/2000	Hamann	.....	A47B 83/02
						108/27
D439,060	S	*	3/2001	Larsen	.....	D6/337
D467,437	S	*	12/2002	Ott	.....	D6/337
D467,438	S	*	12/2002	Ott	.....	D6/337
D497,263	S	*	10/2004	Darling	.....	D6/337
D521,258	S	*	5/2006	Hightower	.....	D6/337
D542,572	S	*	5/2007	Green	.....	D6/708.16
7,393,049	B2	*	7/2008	Chase	.....	A47C 9/022
						297/134
D604,524	S	*	11/2009	Weeks	.....	D6/338
D605,862	S	*	12/2009	Weeks	.....	D6/338
D621,629	S	*	8/2010	Weimer	.....	D6/337
8,181,583	B2	*	5/2012	Rivera, Jr.	.....	A47B 3/14
						108/168
D683,975	S	*	6/2013	Starck	.....	D6/349
D796,884	S	*	9/2017	Dickey	.....	D6/716.1
D802,945	S	*	11/2017	Rivera, Jr.	.....	D6/337
D841,994	S	*	3/2019	Wynants	.....	D6/337

\* cited by examiner

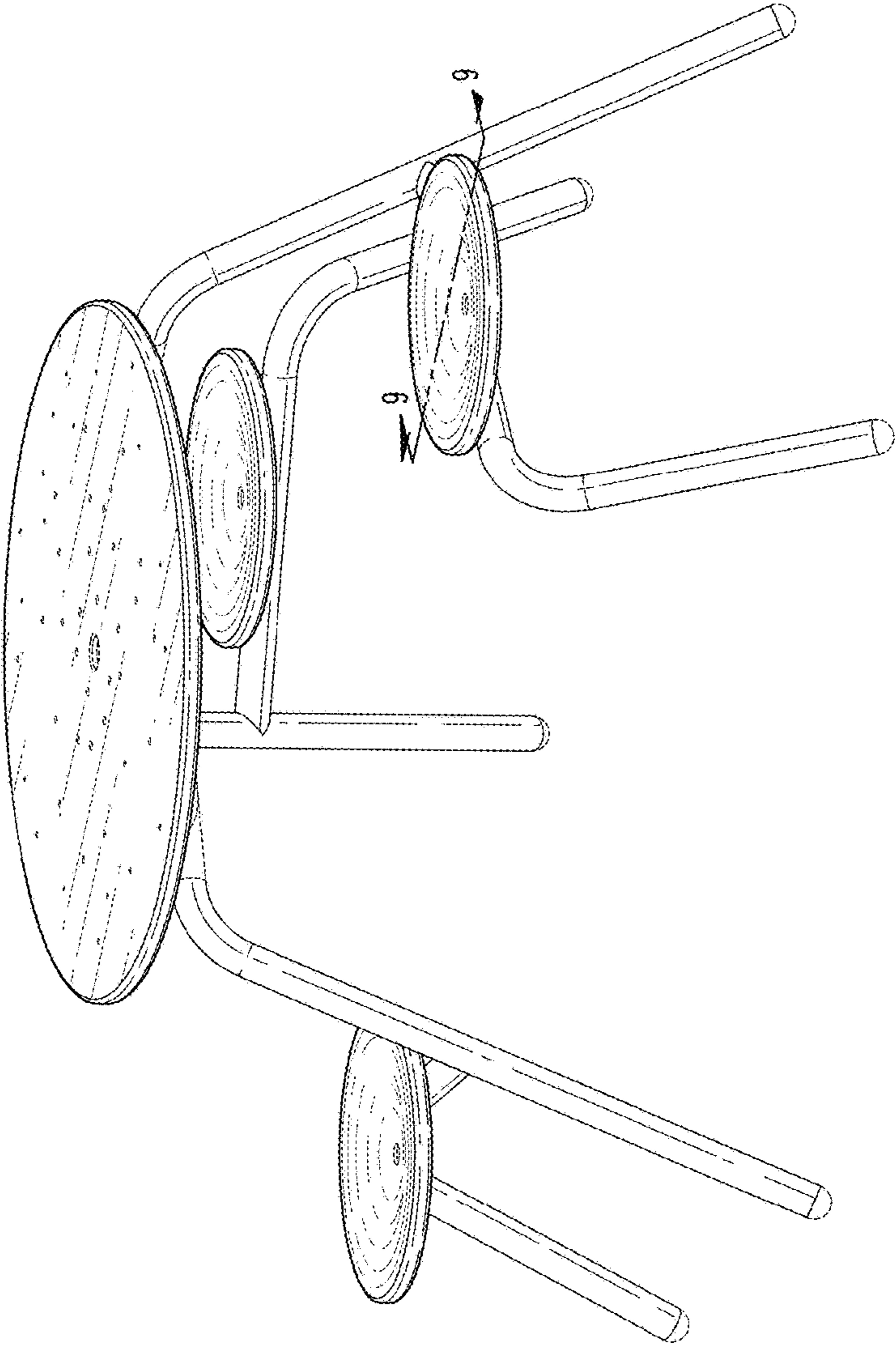


Fig. 1

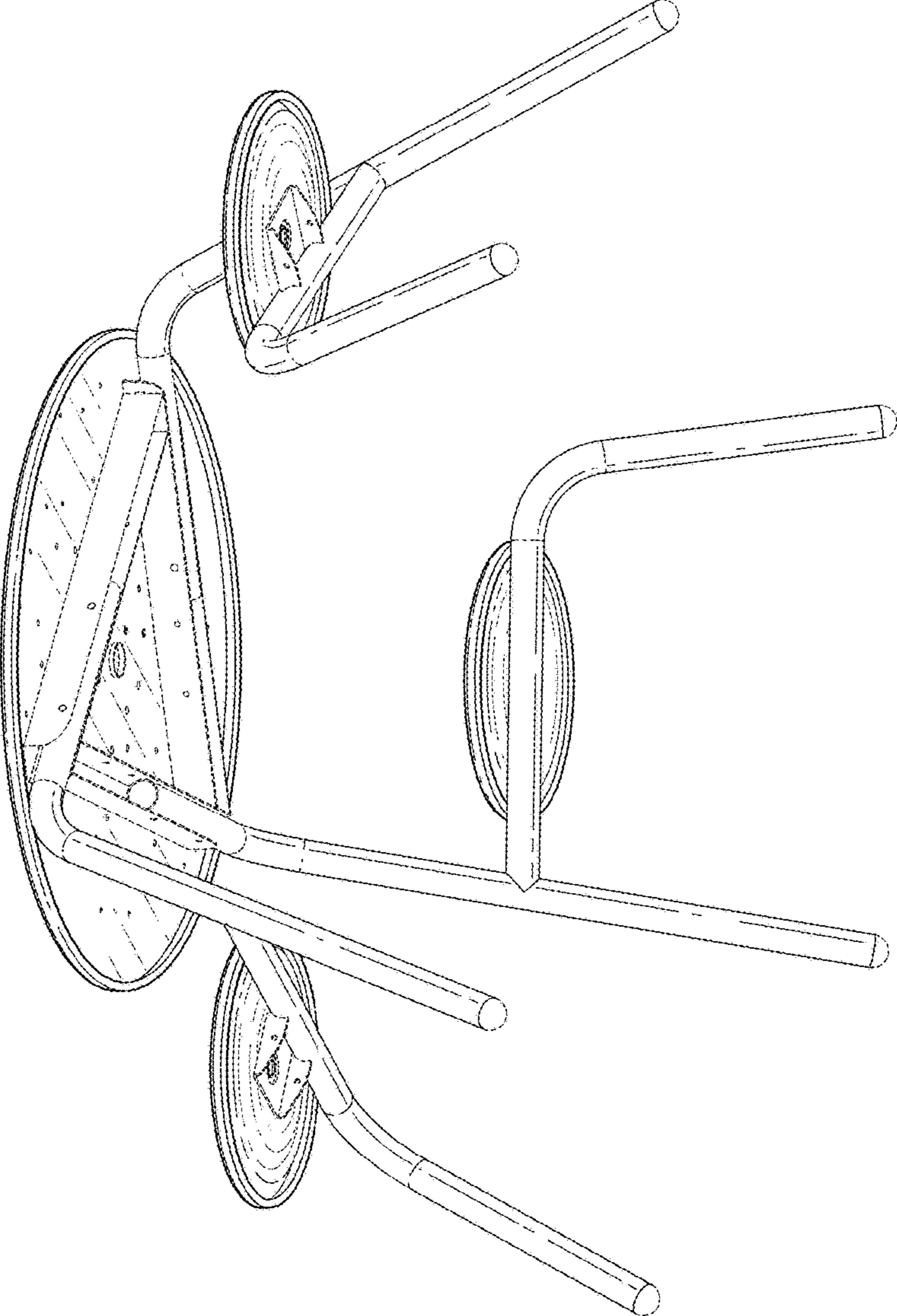
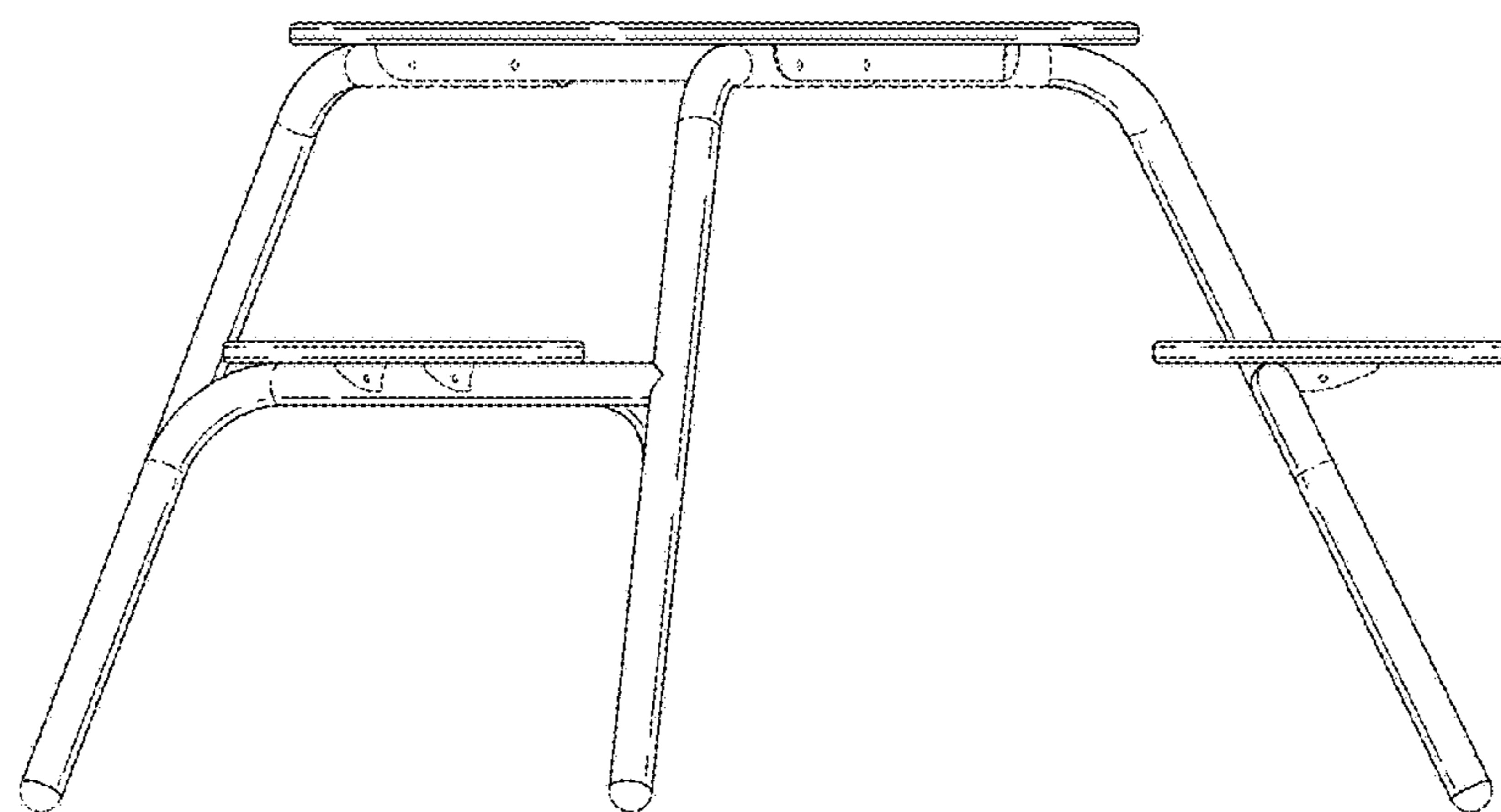
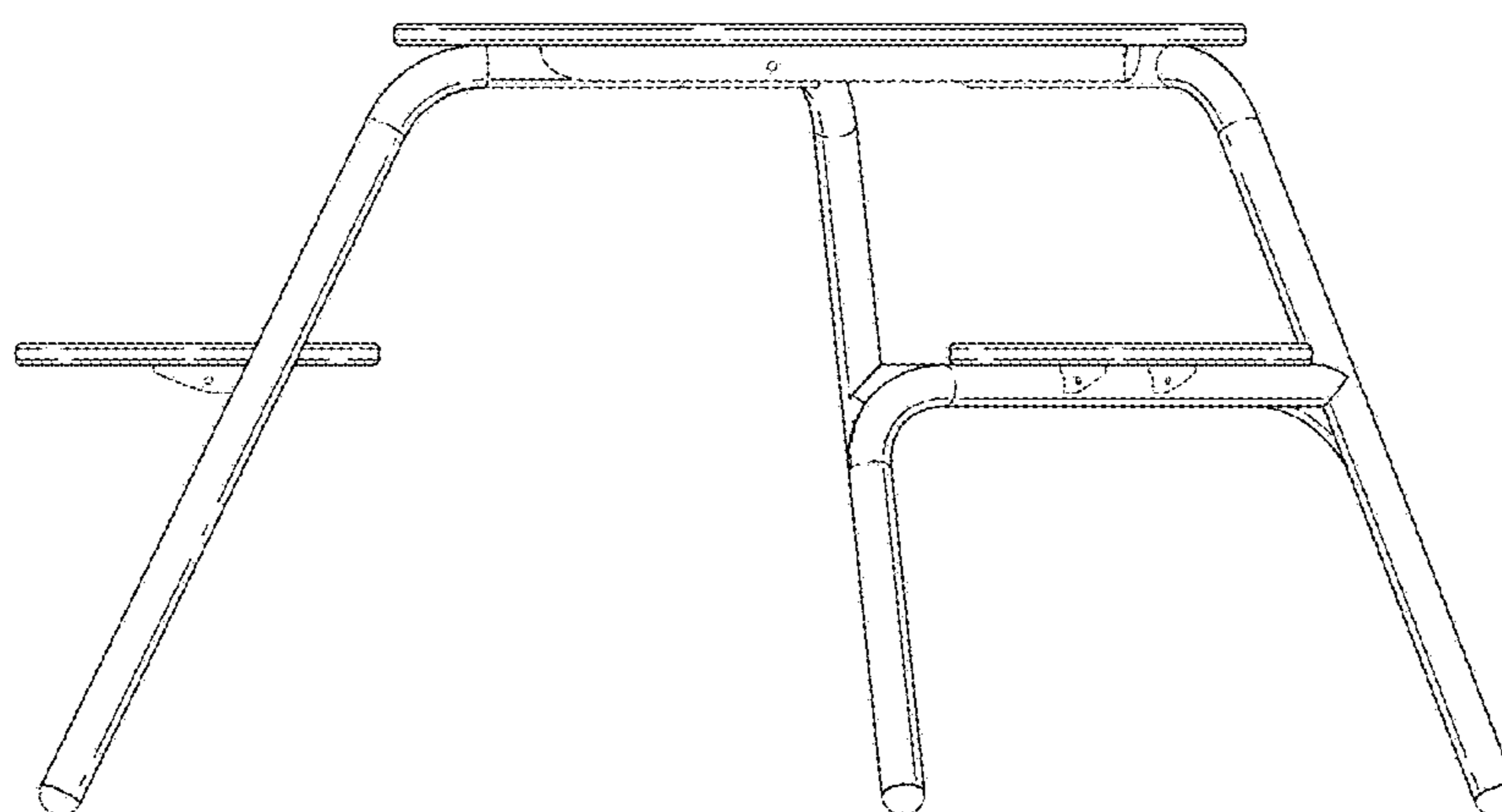


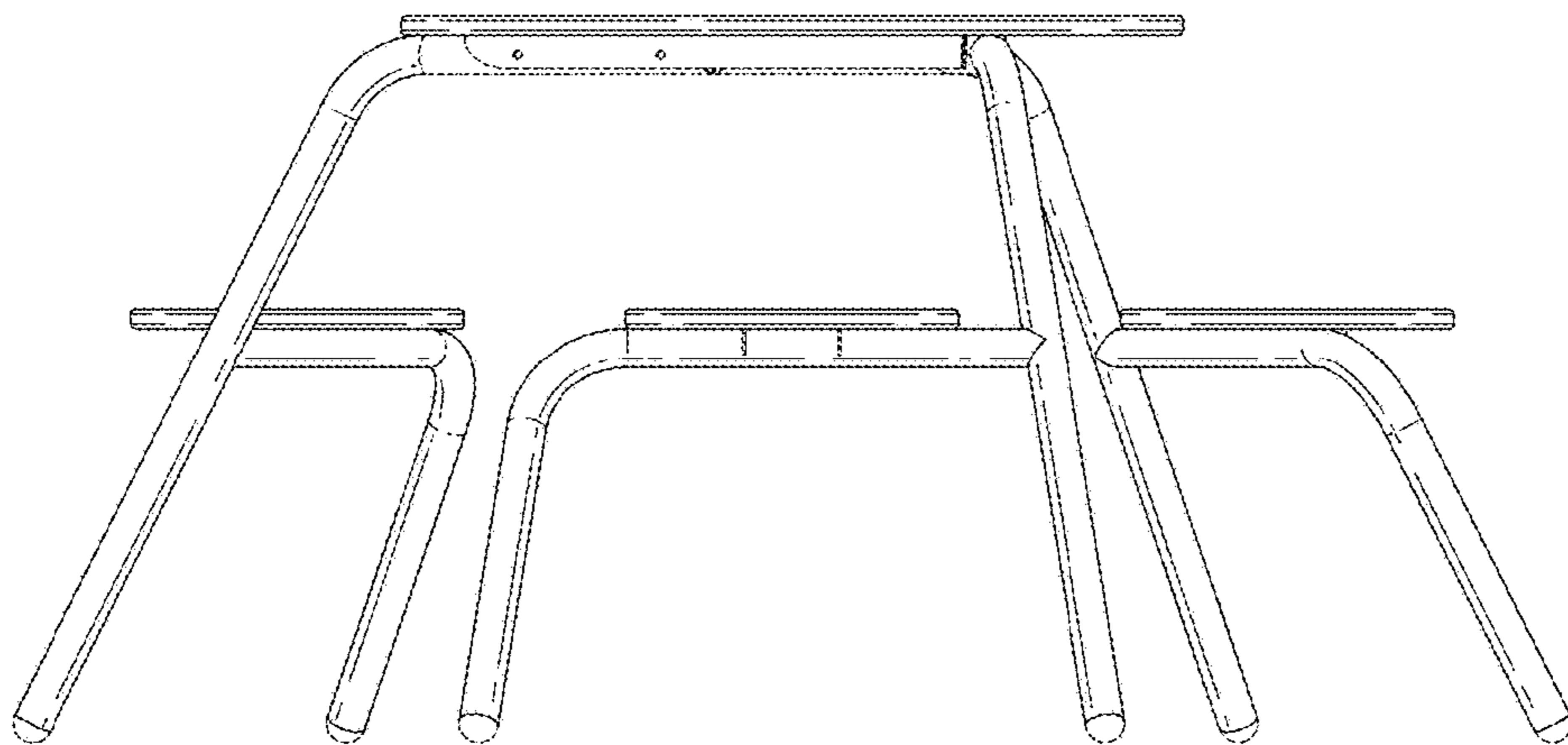
Fig. 2



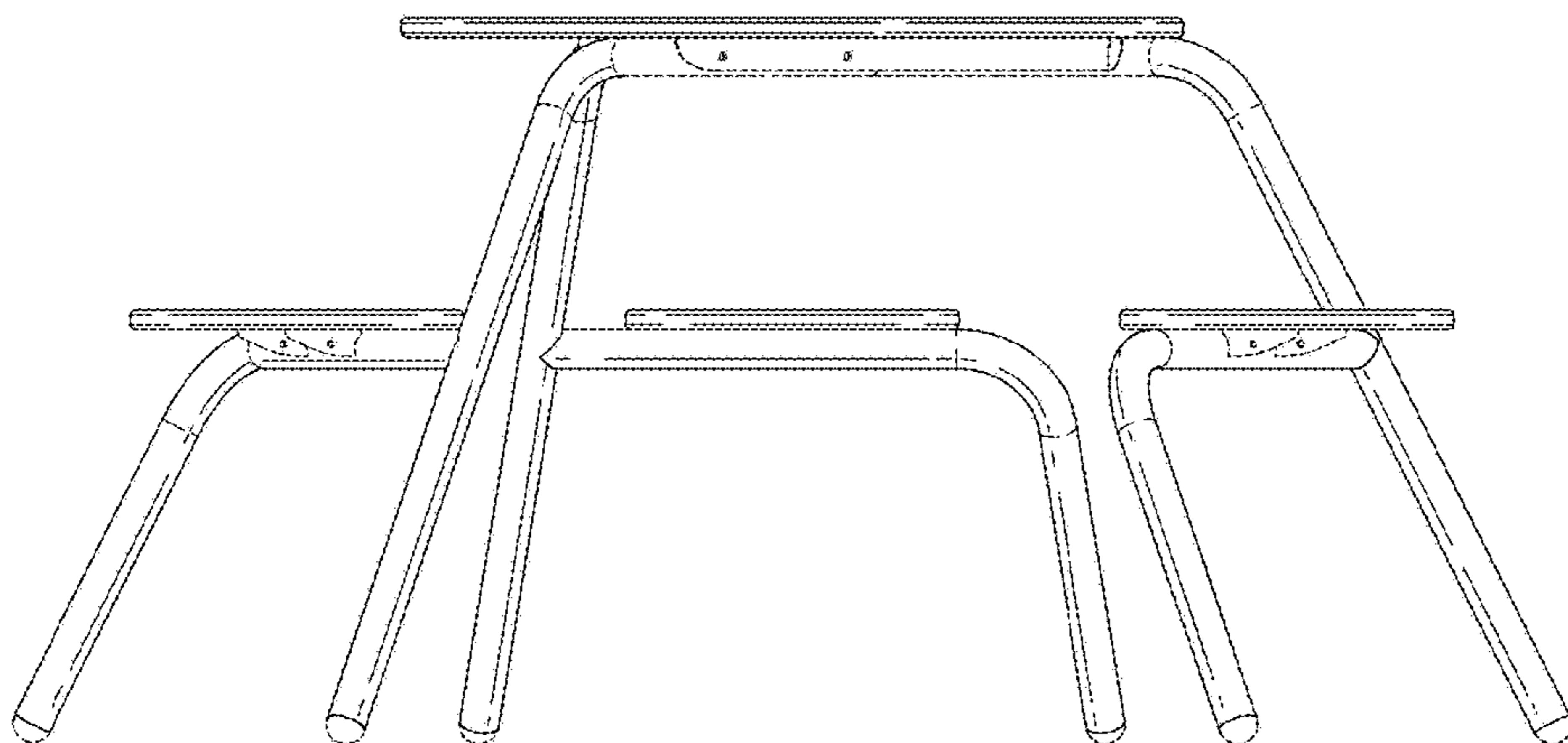
**Fig. 3**



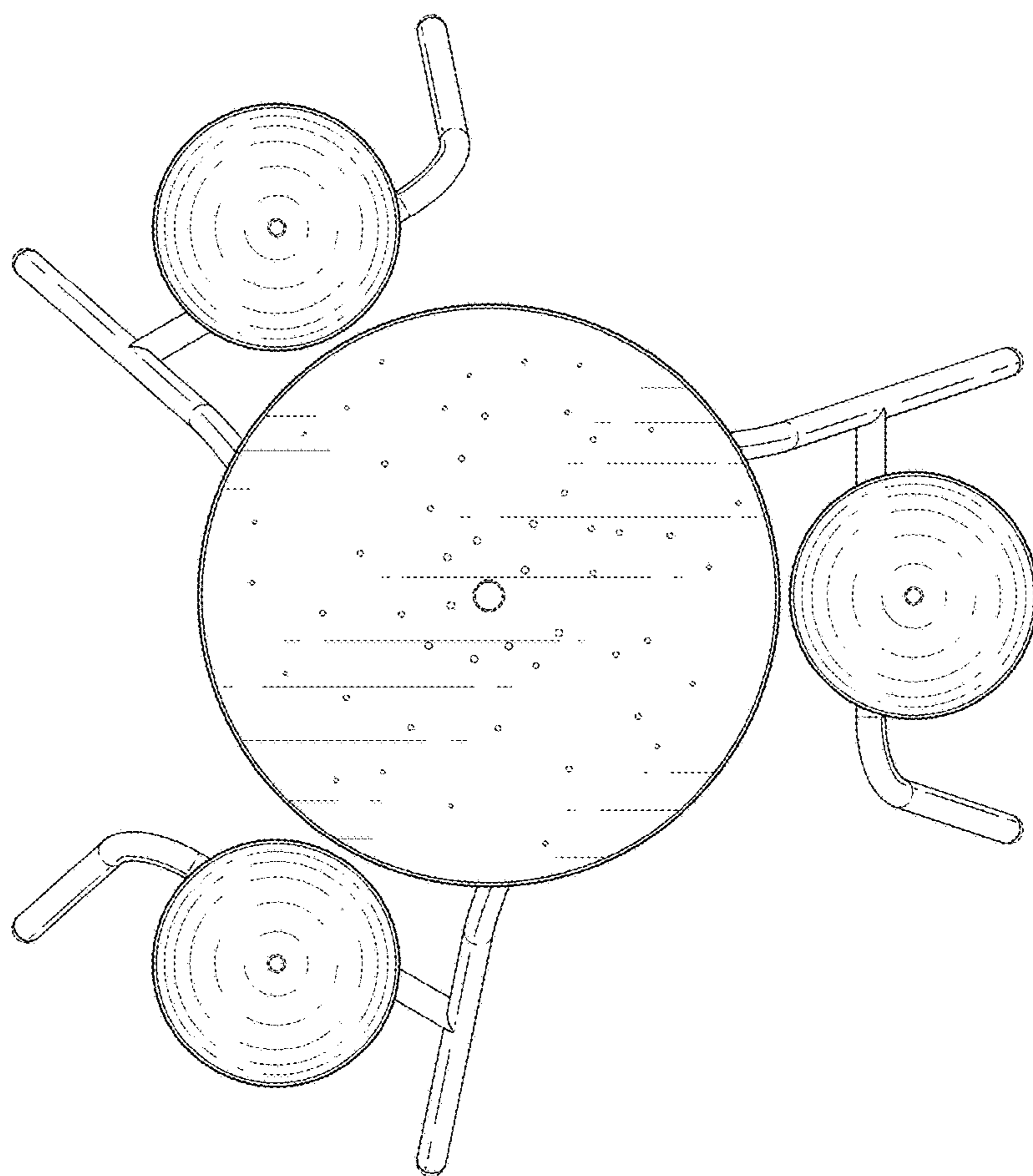
**Fig. 4**



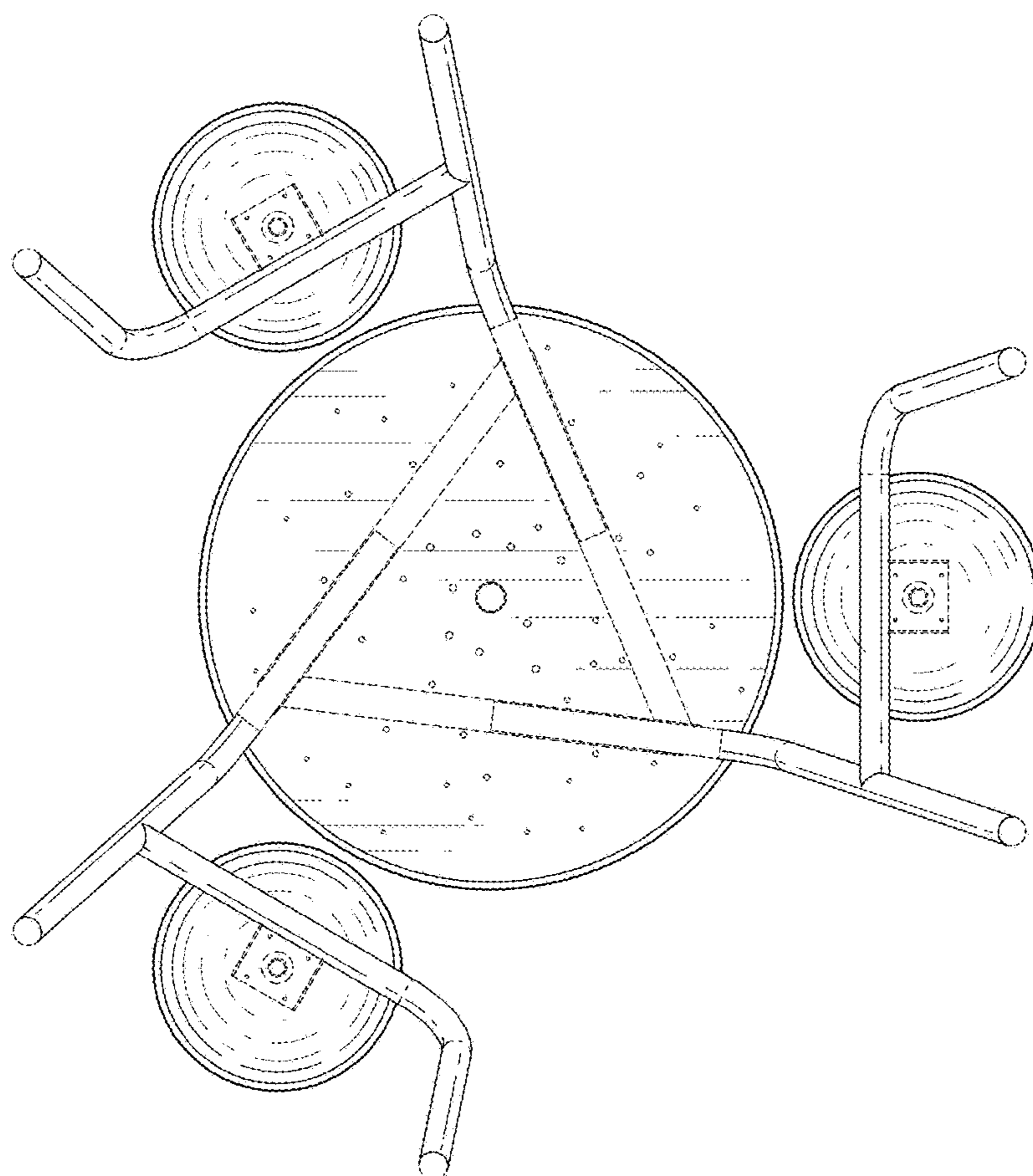
**Fig. 5**



**Fig. 6**

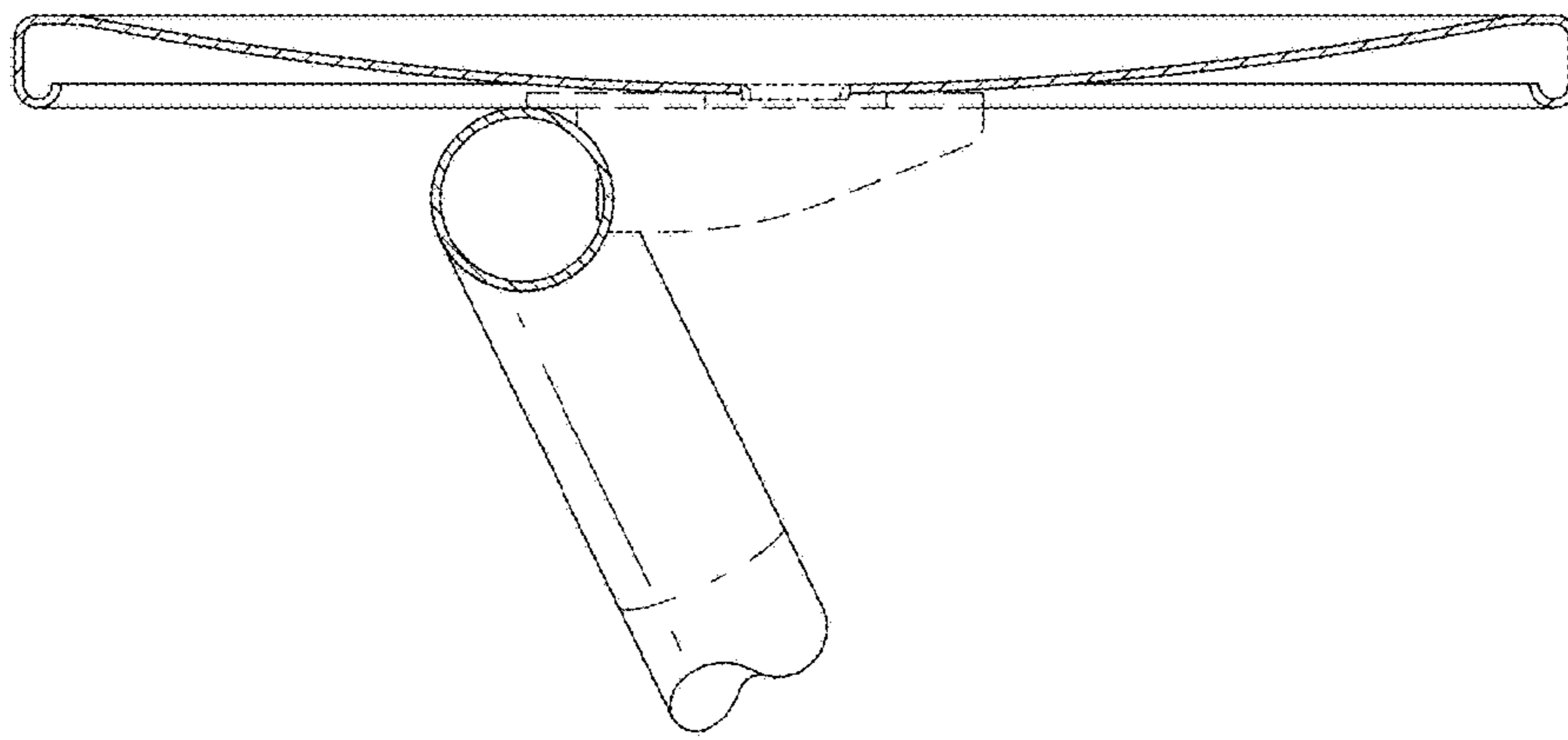


**Fig. 7**

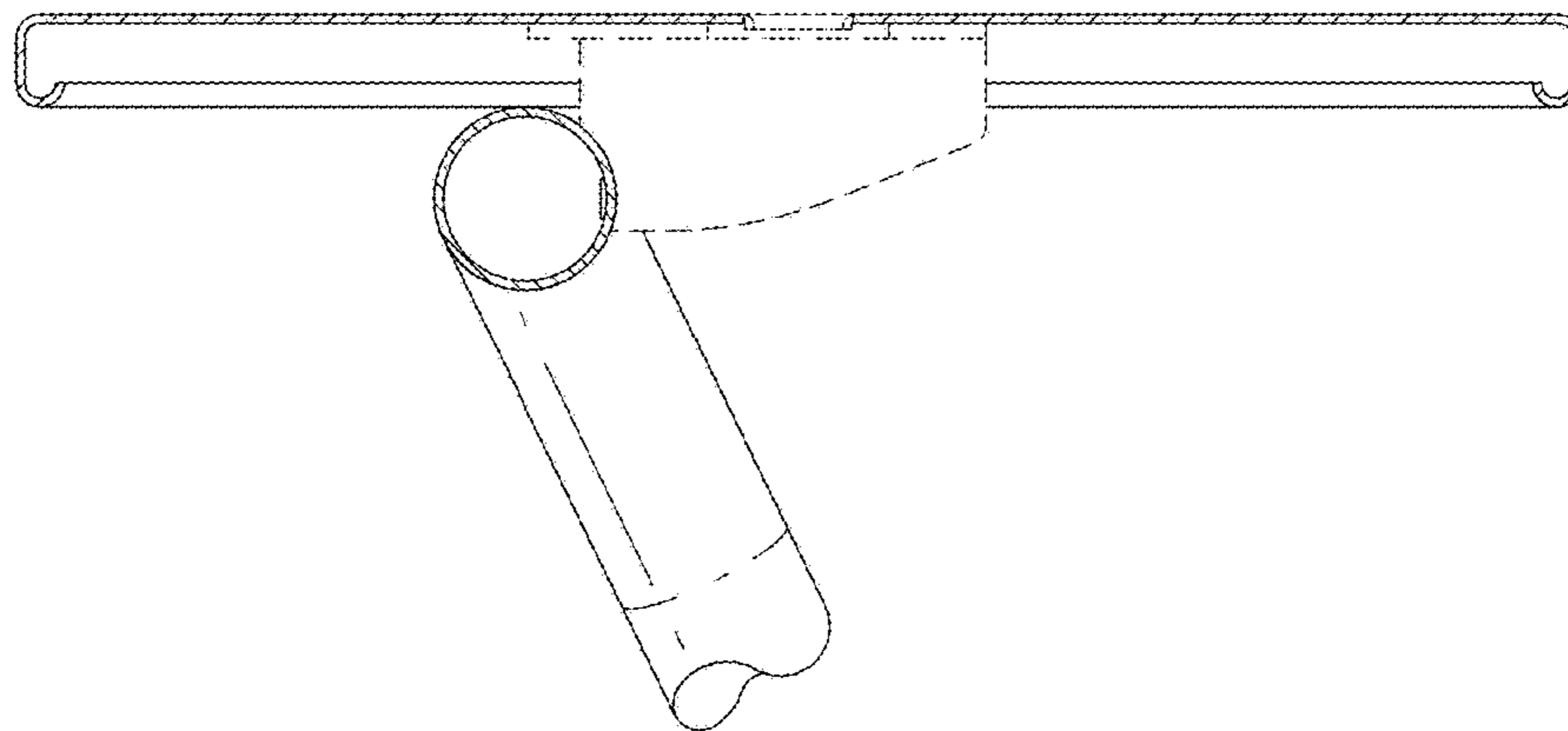


**Fig. 8**





**Fig. 9**



**Fig. 10**