



US00D860660S

(12) **United States Design Patent**
Huntley et al.

(10) **Patent No.:** **US D860,660 S**

(45) **Date of Patent:** **** Sep. 24, 2019**

(54) **CHILD CAR SEAT**

(71) Applicant: **Wonderland Switzerland AG,**
Steinhausen (CH)

(72) Inventors: **John Huntley,** Philadelphia, PA (US);
Dan Sack, Pottstown, PA (US)

(73) Assignee: **WONDERLAND SWITZERLAND**
AG, Steinhausen (CH)

(**) Term: **15 Years**

(21) Appl. No.: **29/637,042**

(22) Filed: **Feb. 13, 2018**

(51) **LOC (12) Cl.** **06-01**

(52) **U.S. Cl.**
USPC **D6/333**

(58) **Field of Classification Search**
USPC D6/333, 334, 335, 336, 361, 371, 374,
D6/375, 381, 716.1, 716.4, 596, 601, 355,
D6/715, 715.2, 716; 297/250.1, 255,
297/256.15, 256.1, 183.1–183.4, 183.13,
297/1, 4, 93, 180.11, 195.1, 195.13, 393,
297/397, 452.24, 452.26, 452.48; 5/631,
5/633, 635, 638; D21/803–809
CPC A47C 7/24; A47C 7/36; A47C 7/20; A47C
7/18; A47C 5/06; A47C 17/02; A47C
4/028; B60N 2/70; A47G 9/00; A47G
9/068; A47G 9/1009; A47G 9/1027;
A47G 9/1063

See application file for complete search history.

(56) **References Cited**

U.S. PATENT DOCUMENTS

D529,319 S *	10/2006	Shibata	D6/715
D630,448 S *	1/2011	Xu	D6/333
D683,142 S *	5/2013	Goldberg	D6/333
D686,001 S *	7/2013	Zhao	D6/333
D819,934 S *	6/2018	Nagel	D2/909

* cited by examiner

Primary Examiner — Abraham Bahta

(74) *Attorney, Agent, or Firm* — Shimokaji IP

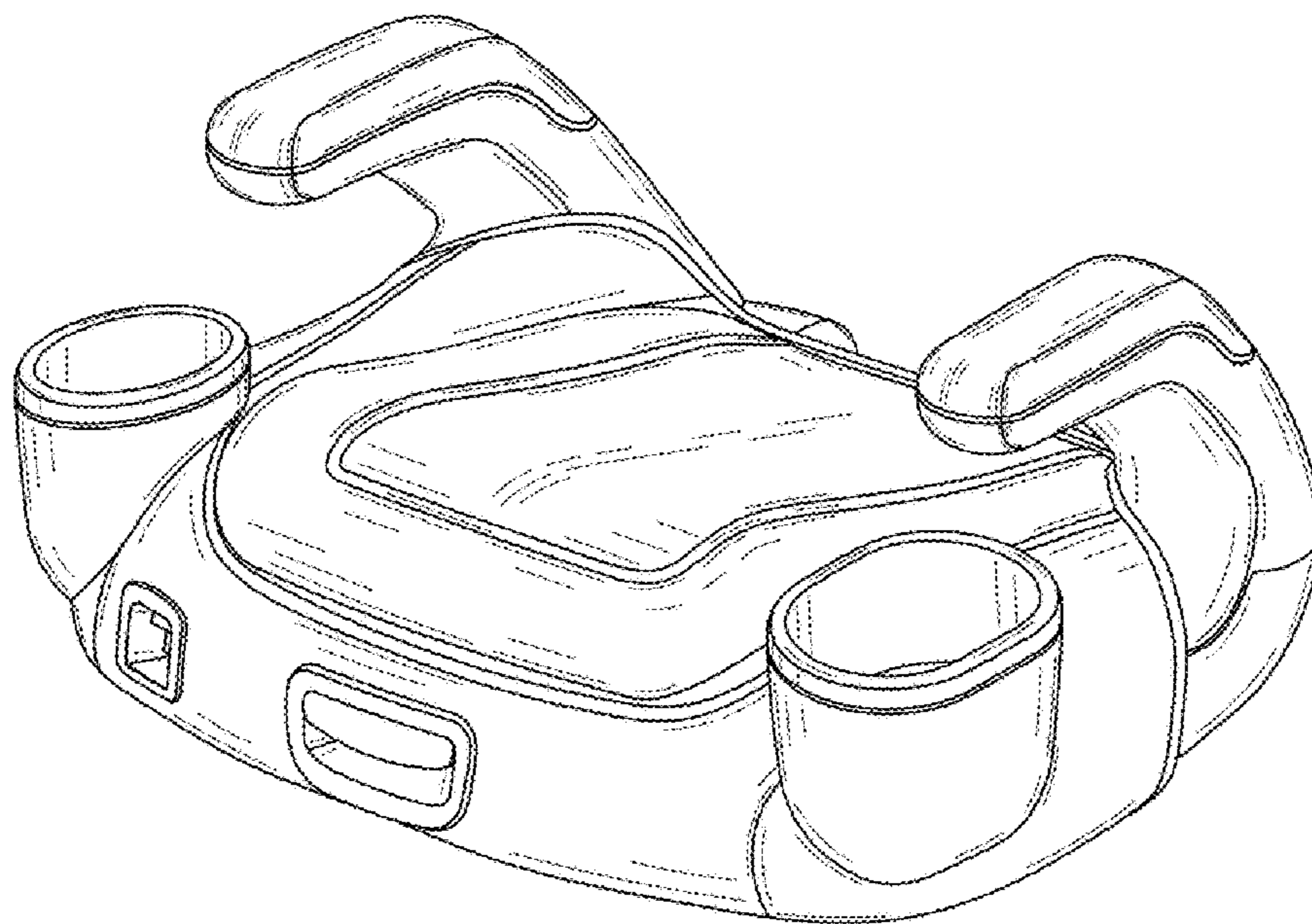
(57) **CLAIM**

The ornamental design for a child car seat, as shown and described.

DESCRIPTION

FIG. 1 is a front elevation view of a child car seat showing our design;
FIG. 2 is a rear elevation view thereof;
FIG. 3 is a left side elevation view thereof;
FIG. 4 is a right side elevation view thereof;
FIG. 5 is a top plan view thereof;
FIG. 6 is a bottom plan view thereof; and,
FIG. 7 is a perspective view thereof.
The portion shown in broken lines is for illustrative purposes only and forms no part of the claimed design.

1 Claim, 4 Drawing Sheets



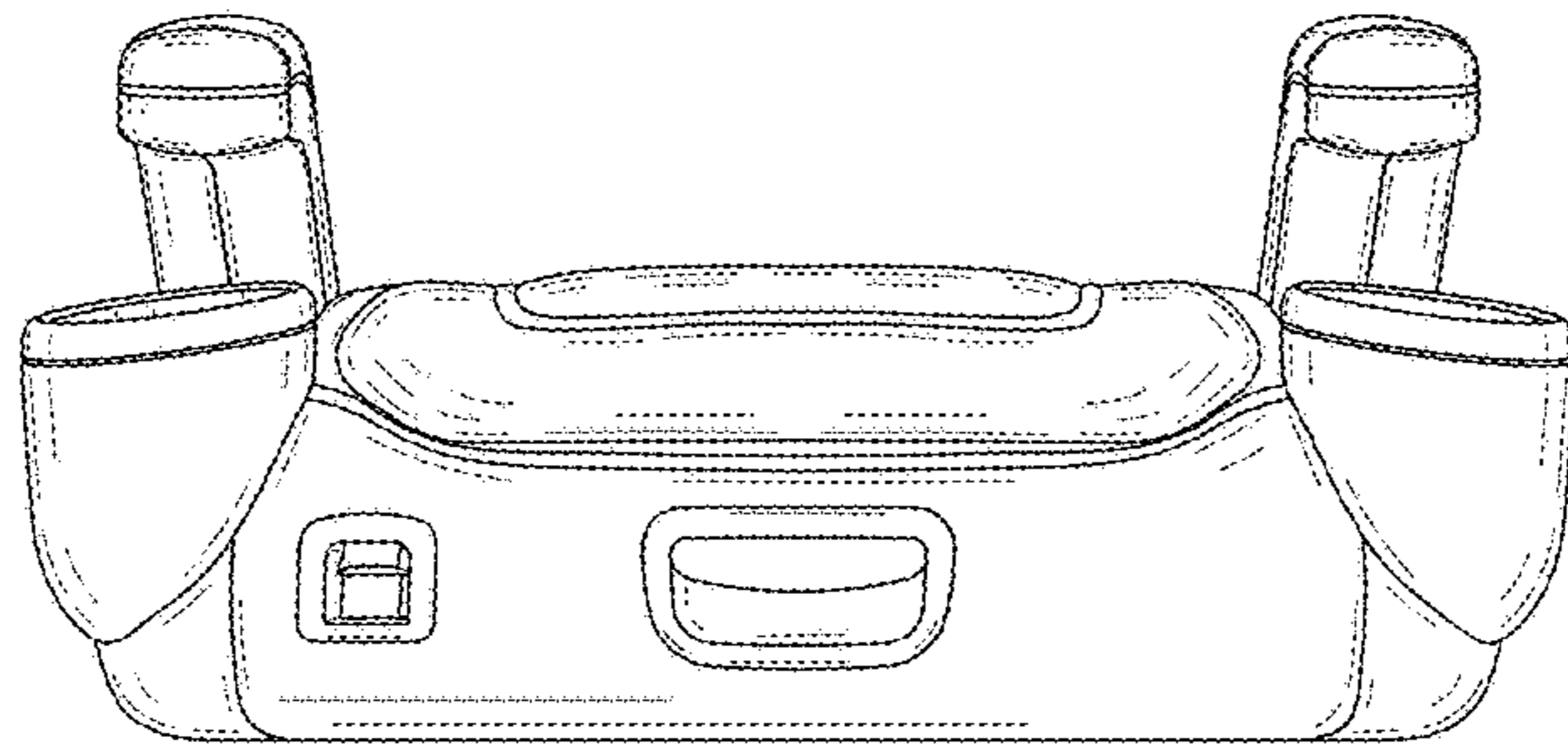


FIG.1

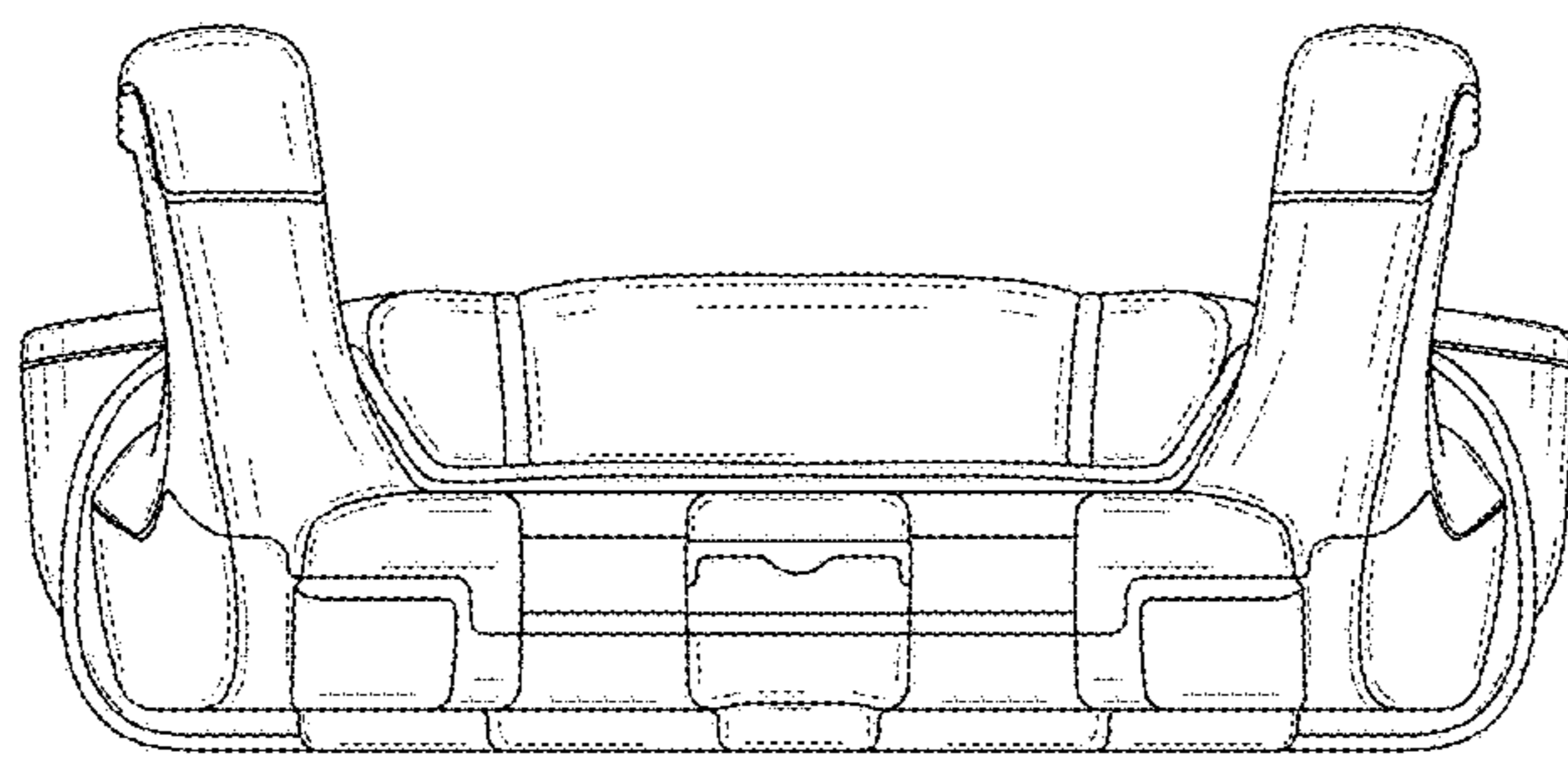


FIG.2

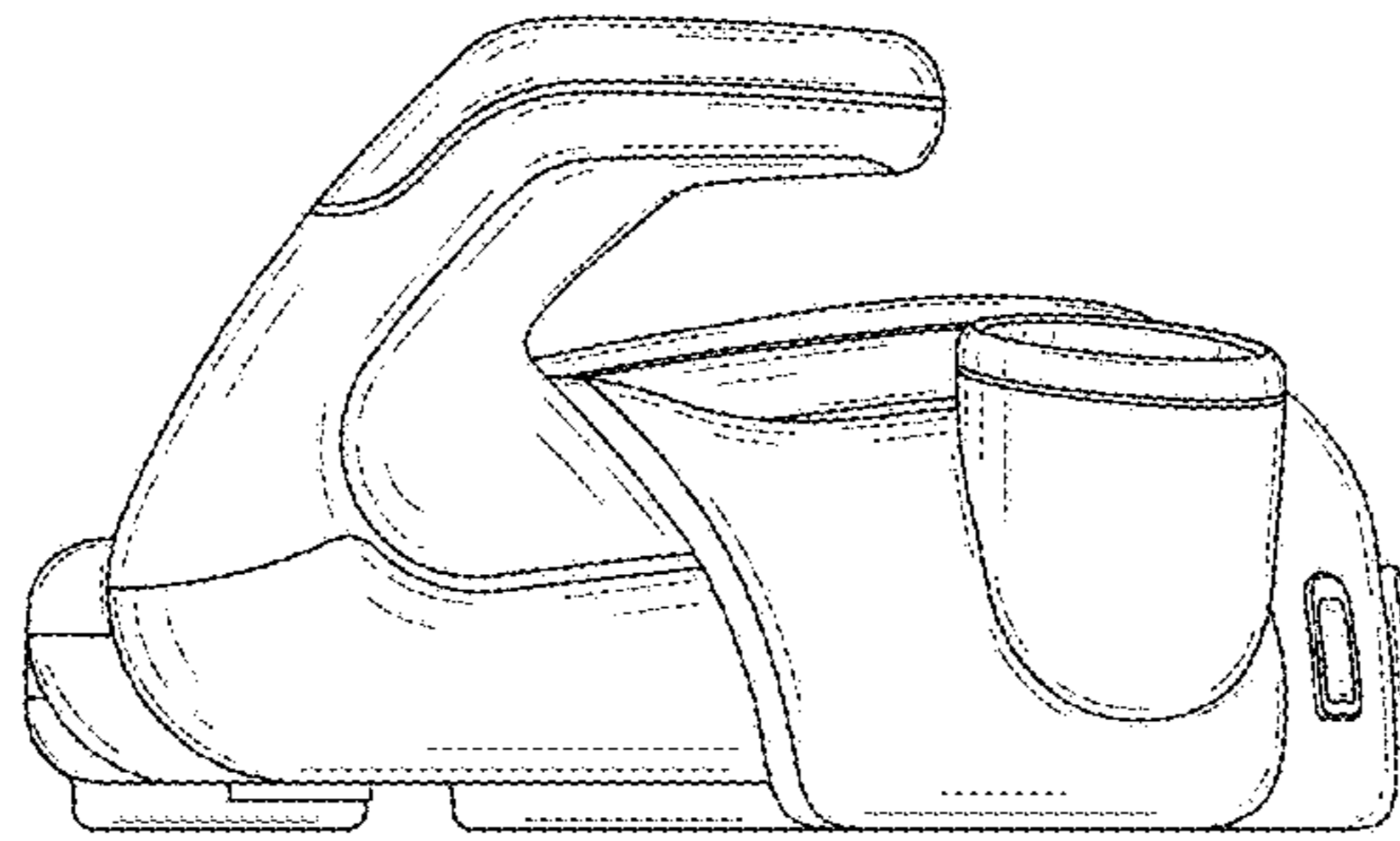


FIG.3

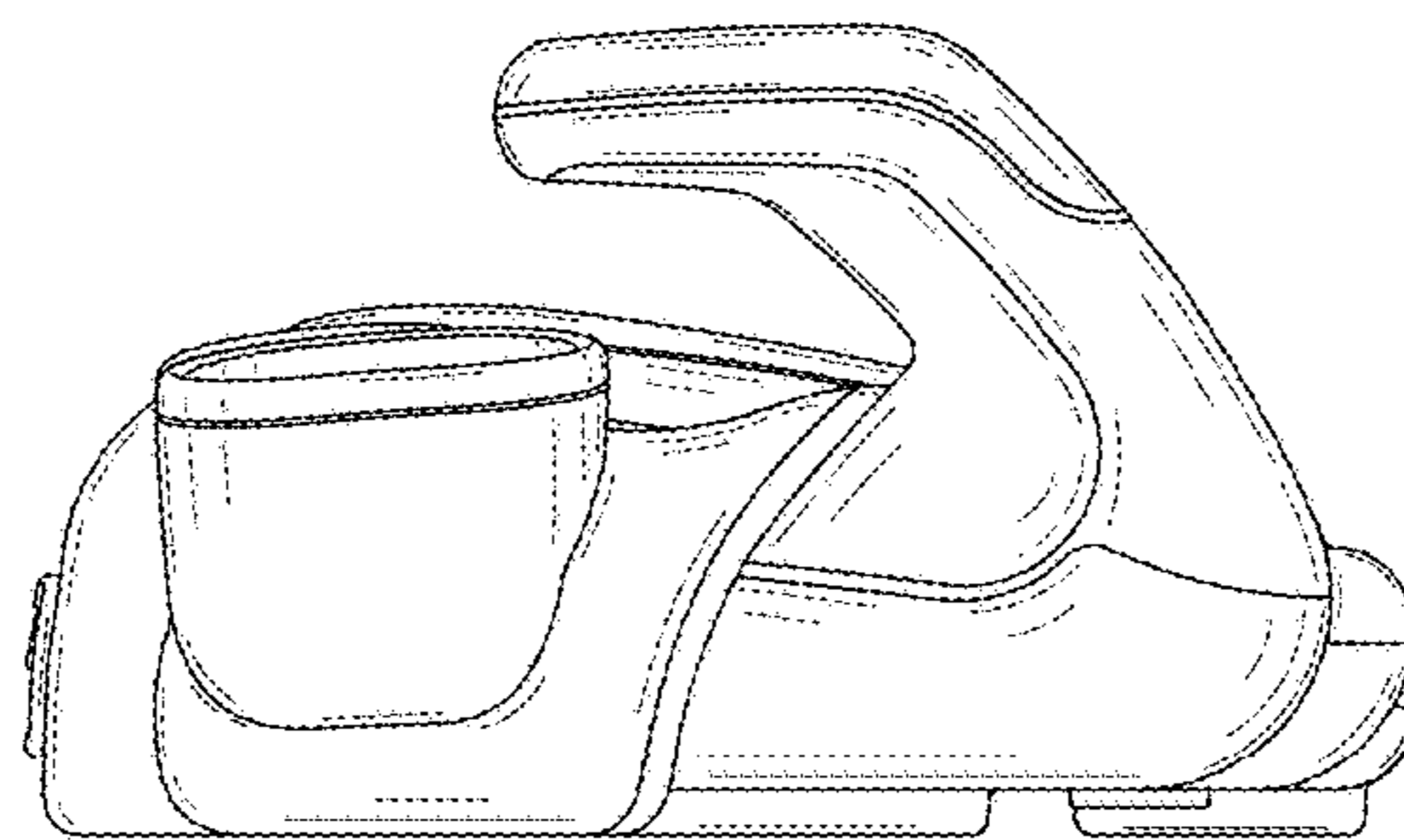


FIG.4

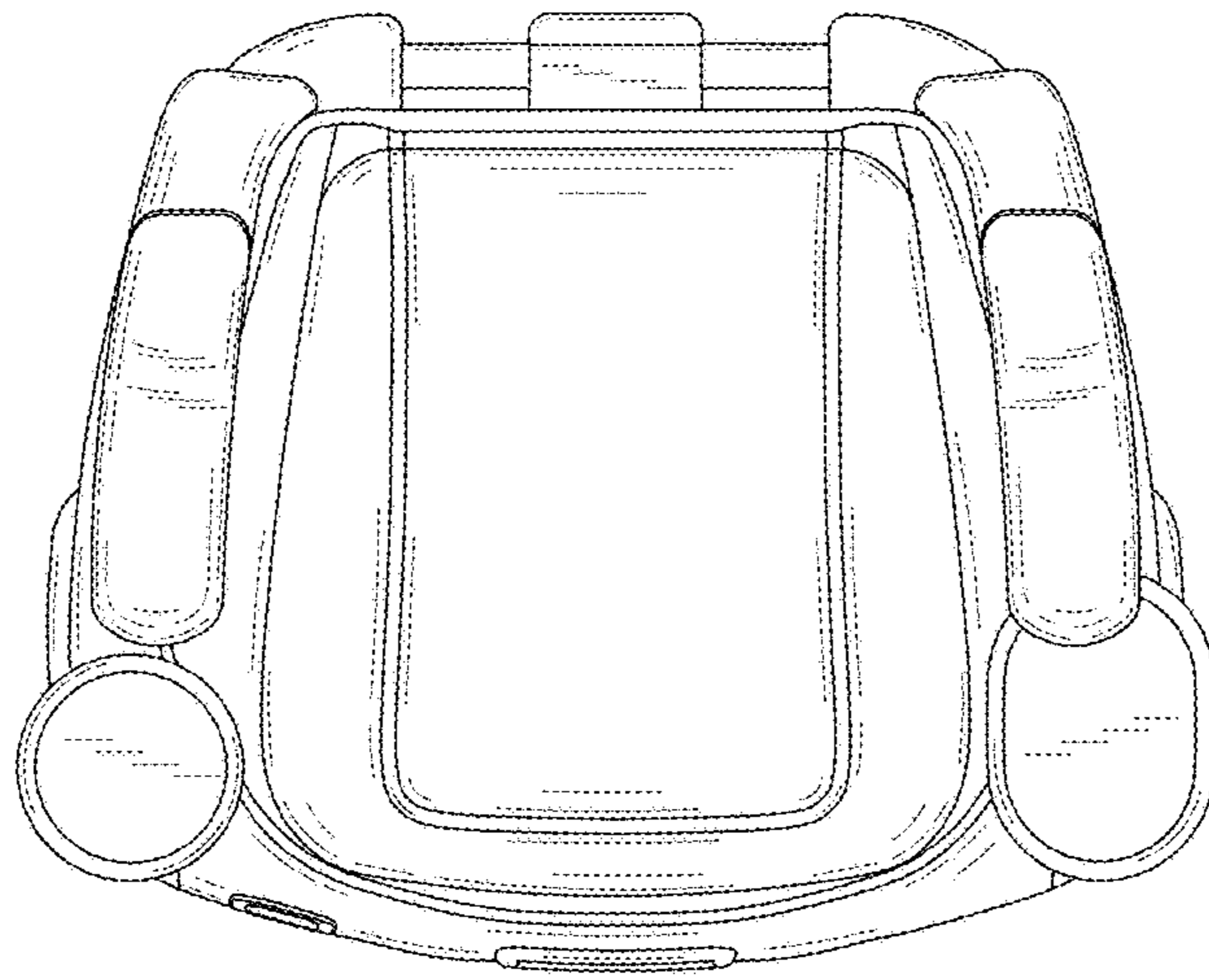


FIG.5

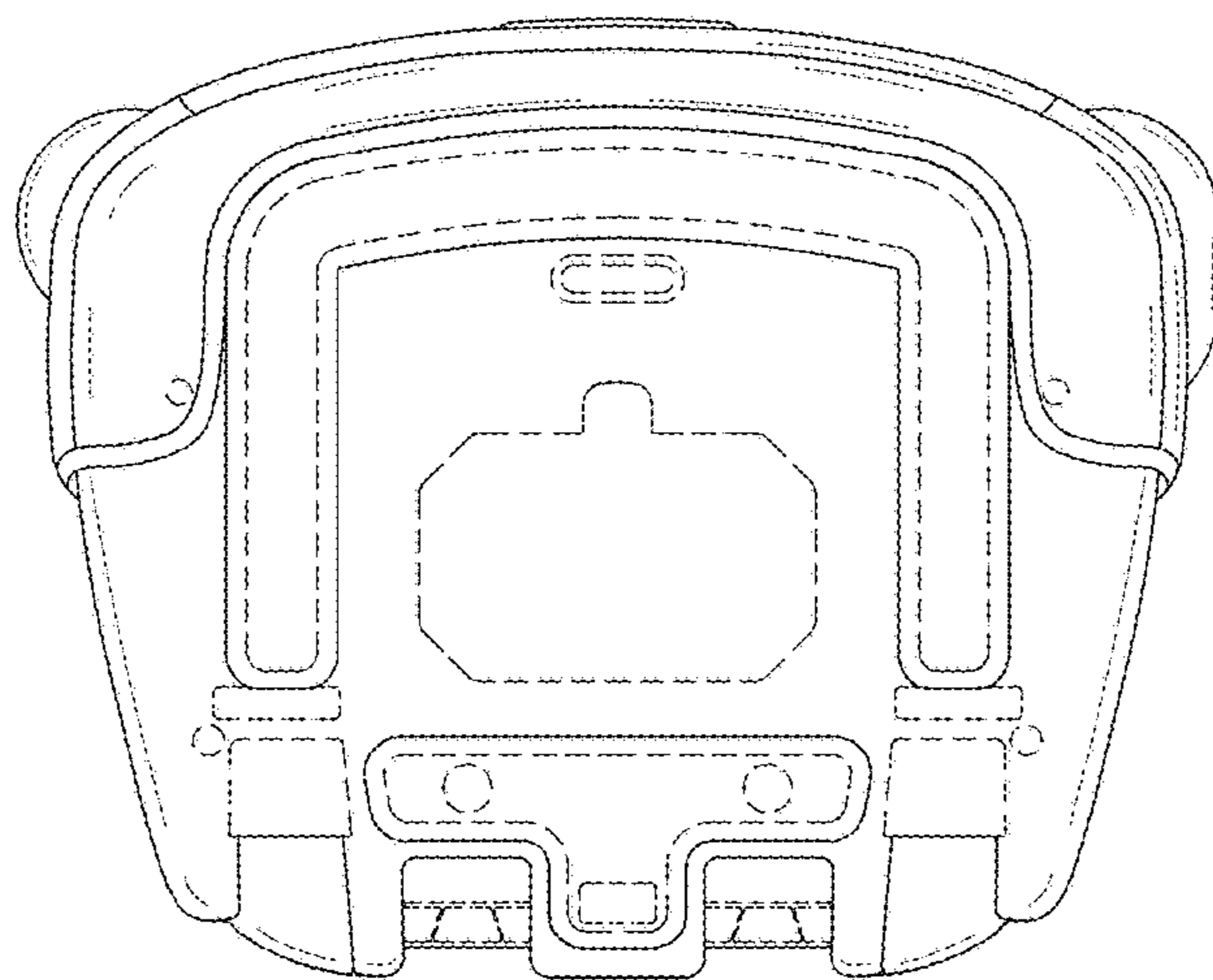


FIG.6

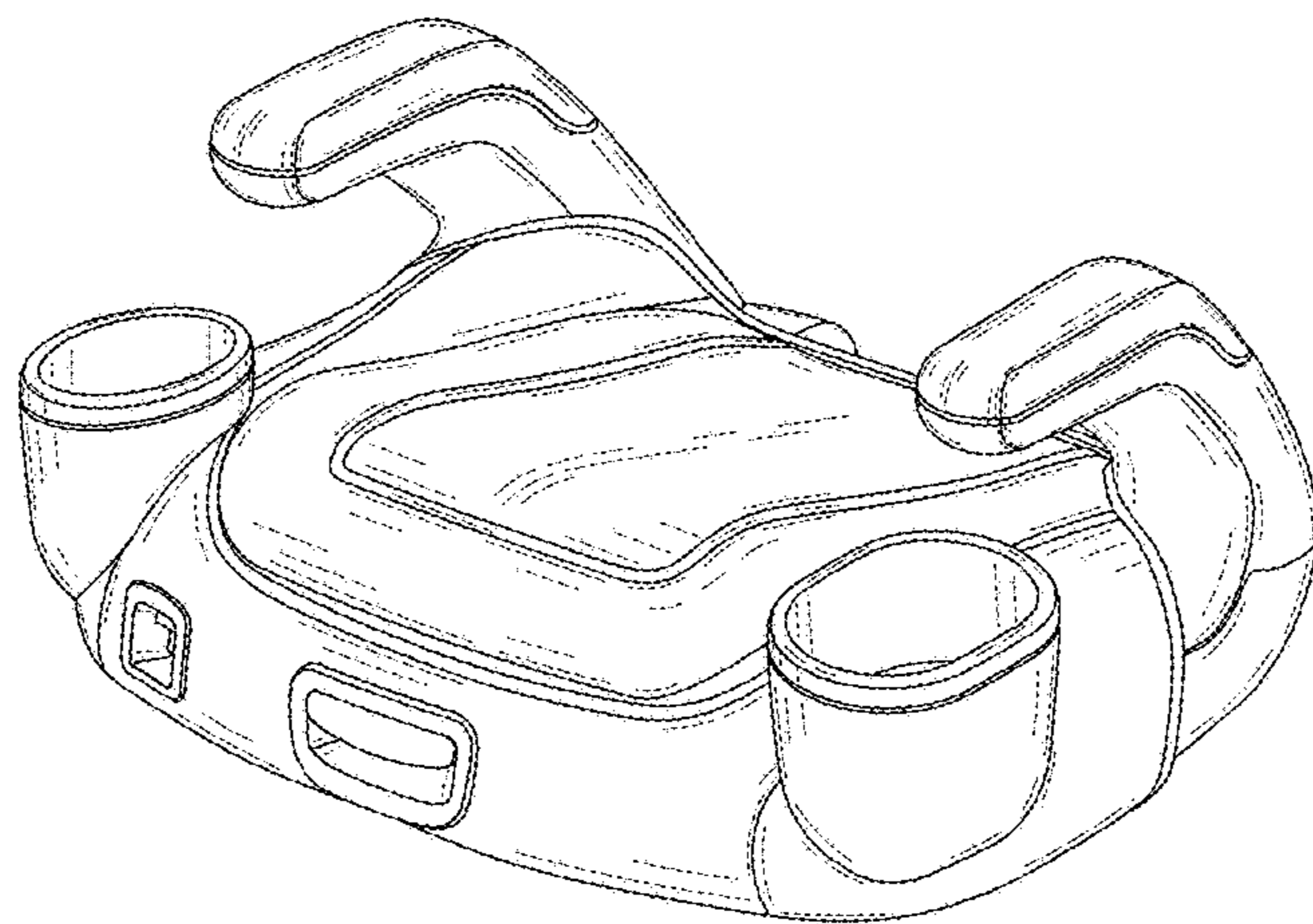


FIG.7