

US00D860658S

(12) **United States Design Patent** (10) **Patent No.:** **US D860,658 S**
Gargan (45) **Date of Patent:** **** Sep. 24, 2019**

(54) **CLOTHING HANGER**
 (71) Applicant: **John Gargan**, Bakersfield, CA (US)
 (72) Inventor: **John Gargan**, Bakersfield, CA (US)
 (**) Term: **15 Years**

D204,176 S 3/1966 Zuckerman
 3,289,901 A 12/1966 Zwanzig
 3,406,882 A * 10/1968 Phillips A47G 25/28
 223/88

(Continued)

(21) Appl. No.: **29/656,074**
 (22) Filed: **Jul. 10, 2018**
 (51) **LOC (12) Cl.** **06-08**
 (52) **U.S. Cl.**
 USPC **D6/317**; D6/319
 (58) **Field of Classification Search**
 USPC D6/315–328
 CPC A47G 25/28; A47G 25/38; A47G 25/14;
 A47G 25/442; A47G 25/483; A47G
 25/485; A47G 25/4023; Y10S 223/04;
 A47F 5/0006
 See application file for complete search history.

FOREIGN PATENT DOCUMENTS

DE 2551090 A1 5/1977
 GB 1300225 A 12/1972

OTHER PUBLICATIONS

Christine Lee; Truss Clothing Hangers (2017).
Primary Examiner — Lauren R Calve
 (74) *Attorney, Agent, or Firm* — Mark D. Miller; Jared E. Christensen

(56) **References Cited**

U.S. PATENT DOCUMENTS

1,638,844 A * 8/1927 Gibson A47G 25/442
 223/89
 D87,707 S * 9/1932 Bernat 223/92
 2,123,259 A 7/1938 Rowe
 2,205,489 A * 6/1940 Nelson A47G 25/26
 223/95
 2,475,992 A * 7/1949 Schliestedt A47G 25/52
 223/91
 2,630,950 A 3/1953 Kupchick
 2,634,031 A 4/1953 Klein
 2,678,149 A 5/1954 Walther
 2,812,888 A 11/1957 Henderson
 2,813,666 A 11/1957 Gene
 2,873,898 A 2/1959 Englund
 2,917,212 A * 12/1959 Parker A47G 25/325
 223/88
 D195,158 S 4/1963 Warmath, III
 3,138,259 A * 6/1964 Sitt A47F 7/02
 211/113
 3,194,457 A 7/1965 Freilich

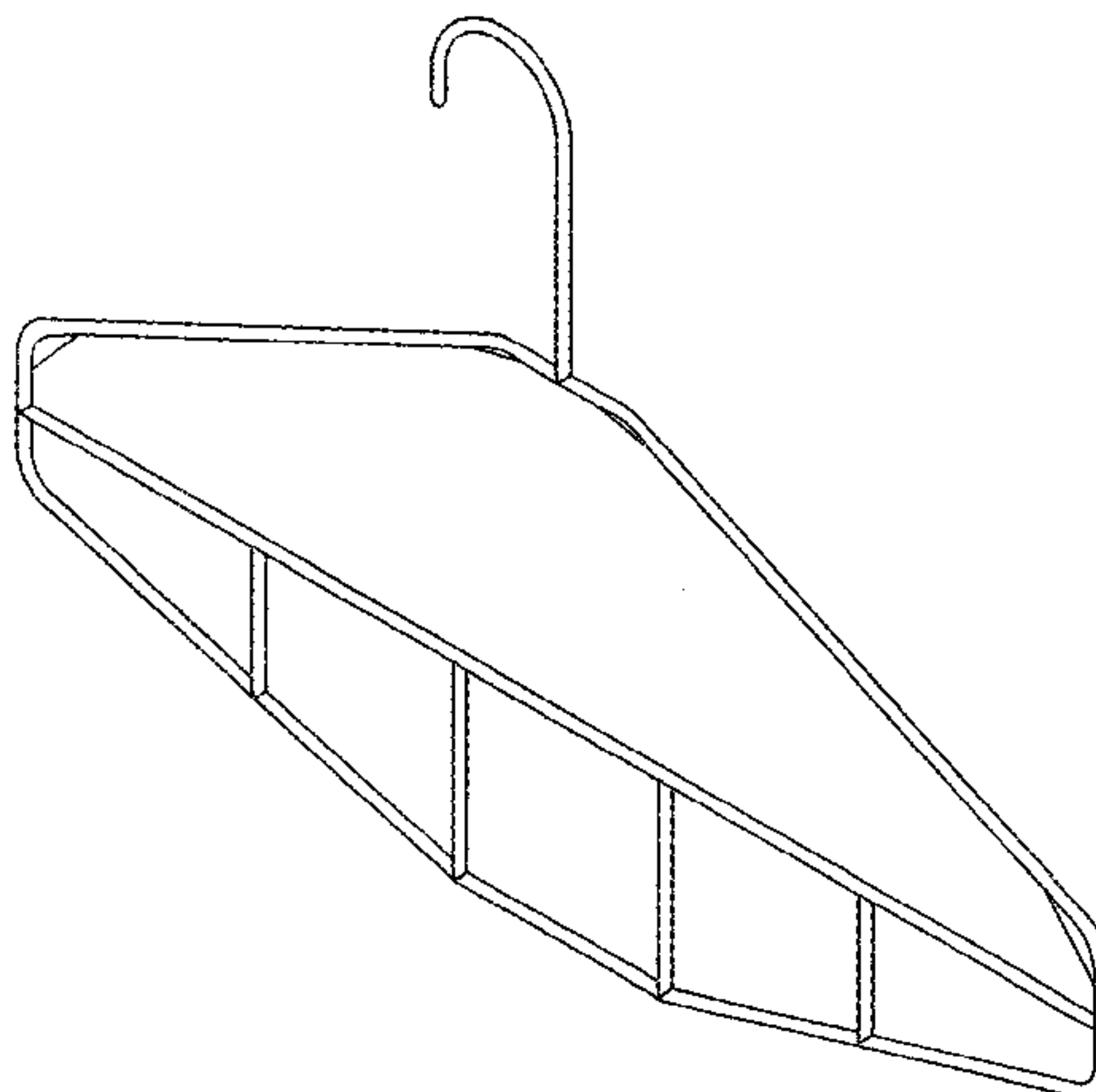
(57) **CLAIM**

I claim the ornamental design for a clothing hanger, as shown and described.

DESCRIPTION

FIG. 1 is a front perspective view of a clothing hanger showing my new design;
 FIG. 2 is a rear perspective view of the embodiment of FIG. 1;
 FIG. 3 is a left side elevational view of the embodiment of FIG. 1;
 FIG. 4 is a front elevational view of the embodiment of FIG. 1;
 FIG. 5 is a right side elevational view of the embodiment of FIG. 1;
 FIG. 6 is a rear elevational view of the embodiment of FIG. 1;
 FIG. 7 is a top plan view of the embodiment of FIG. 1; and,
 FIG. 8 is a bottom plan view of the embodiment of FIG. 1.

1 Claim, 4 Drawing Sheets



(56)

References Cited

U.S. PATENT DOCUMENTS

3,679,100 A	7/1972	Brorson et al.		5,082,152 A *	1/1992	Chen	A47G 25/442
D229,914 S *	1/1974	Lindemann	D6/315				211/117
3,870,206 A	3/1975	Feinberg		5,085,358 A *	2/1992	Lam	A47G 25/442
3,926,351 A	12/1975	Baer					223/88
D243,055 S *	1/1977	Blumberg	D6/315	D342,834 S	1/1994	Lorenzana	
4,046,293 A	6/1977	Garrison		5,509,587 A	4/1996	Gouldson et al.	
D267,919 S *	2/1983	Owens	D6/315	D409,004 S	5/1999	Bartholow	
D279,627 S *	7/1985	Morin	D6/315	6,230,945 B1	5/2001	Licari et al.	
4,607,771 A	8/1986	Massion		D504,577 S	5/2005	Mann	
4,632,286 A *	12/1986	Koyama	A47G 25/32	7,290,686 B2	11/2007	von Detten	
			211/113	D653,460 S	2/2012	Davis	
4,714,183 A	12/1987	Tontarelli		D662,717 S	7/2012	Brady	
D295,579 S *	5/1988	Arnold	D6/317	D709,292 S	7/2014	Zeldin	
D298,185 S *	10/1988	Mackie	D6/318	D806,404 S *	1/2018	Klar	D6/317
D301,187 S *	5/1989	Lohnis	D6/319	2002/0033403 A1	6/2002	Bennett	
4,951,855 A	8/1990	Jacobson et al.		2004/0256425 A1	12/2004	Barre et al.	
4,964,550 A	10/1990	Balkin		2008/0000936 A1	1/2008	LaBella	
4,966,287 A	10/1990	Snyder		2010/0213222 A1	8/2010	Boyko	
5,056,693 A	10/1991	DeBoe		2015/0245724 A1 *	9/2015	Sut	A47G 25/28
D322,721 S *	12/1991	Curry	D6/317				223/88

* cited by examiner

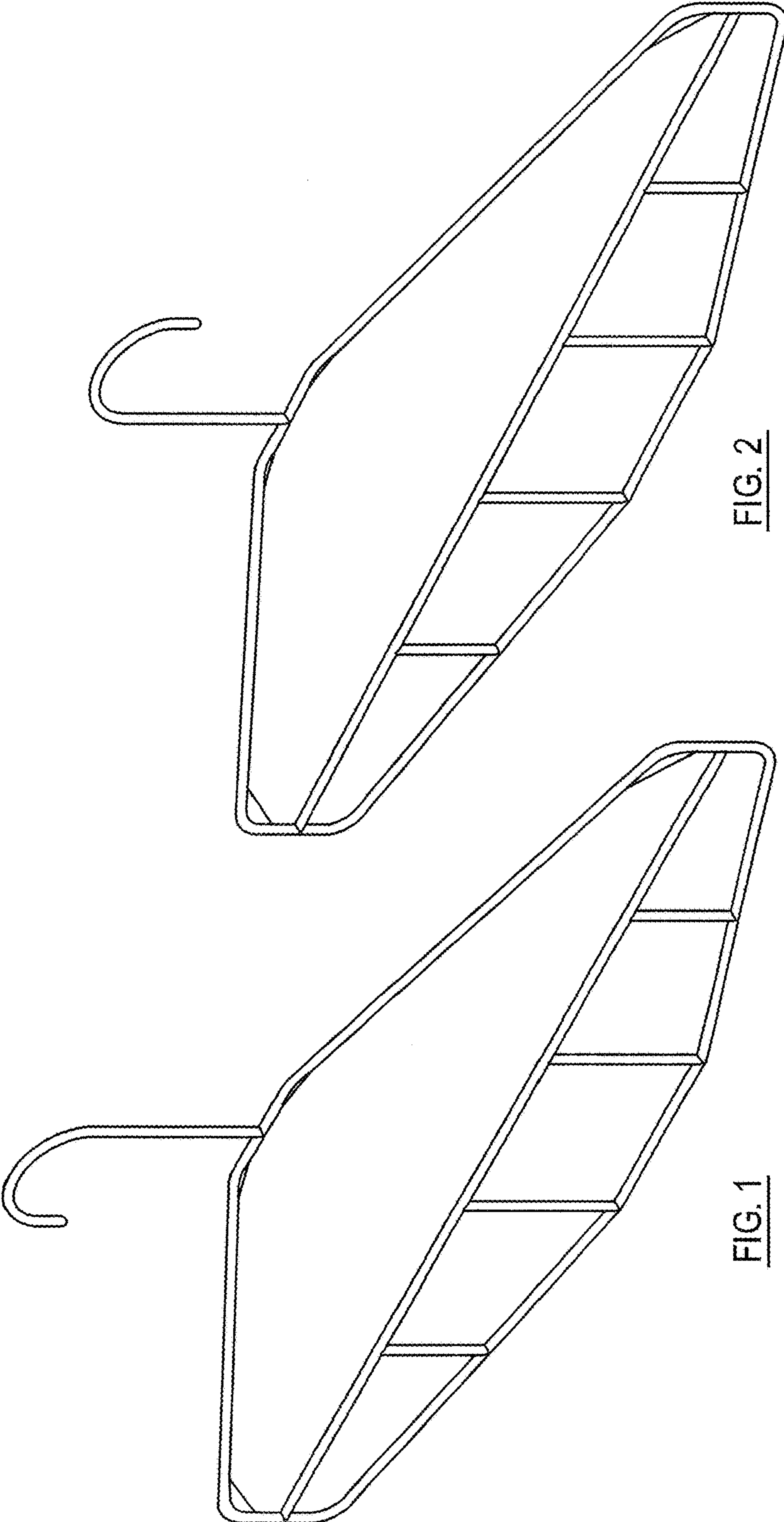


FIG. 2

FIG. 1

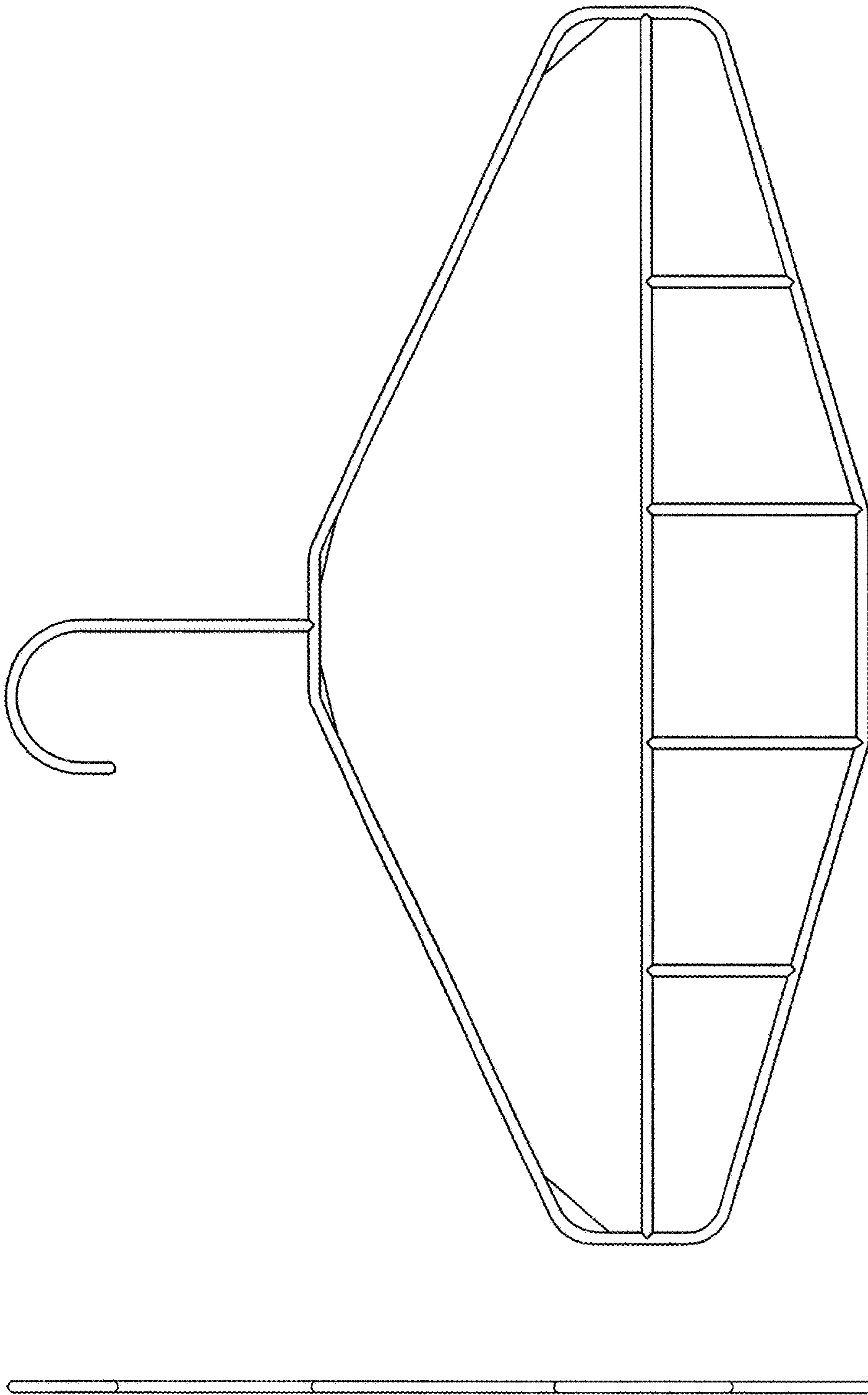


FIG. 4

FIG. 3

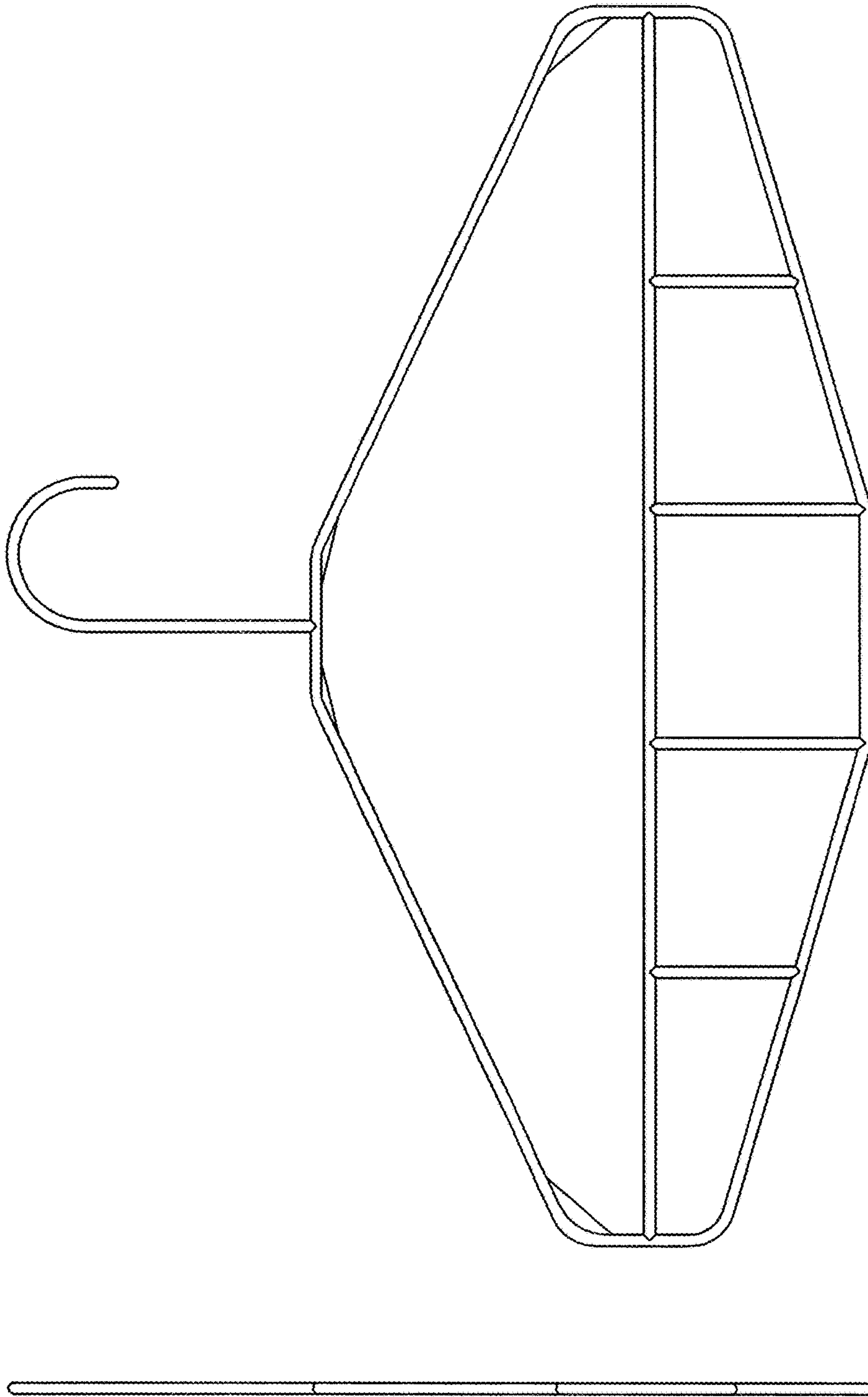


FIG. 6

FIG. 5



FIG. 7



FIG. 8