



US00D860657S

(12) **United States Design Patent** (10) **Patent No.:** **US D860,657 S**
Jewayni et al. (45) **Date of Patent:** **** Sep. 24, 2019**

(54) **CLOTHES HANGER POSSESSING EXTENSION RODS**

3,401,854 A 9/1968 Dodulik
4,586,524 A * 5/1986 Smith A45B 3/06
135/16

(71) Applicant: **Creative Hangers LLC**, Margate City, NJ (US)

4,673,116 A 6/1987 Keller
4,892,238 A 1/1990 Pinczykowski
5,397,037 A 3/1995 Ozawa

(72) Inventors: **Abdullah Hussain Jewayni**, Margate City, NJ (US); **Christopher Matthew Toner**, Germantown, MD (US)

(Continued)

(73) Assignee: **Creative Hangers LLC**, Margate City, NJ (US)

FOREIGN PATENT DOCUMENTS

CN 2734065 Y 10/2005
KR 200334735 Y 11/2003

(**) Term: **15 Years**

Primary Examiner — Lauren R Calve

(21) Appl. No.: **29/660,256**

(74) *Attorney, Agent, or Firm* — Condo Roccia Koptiw LLP

(22) Filed: **Aug. 20, 2018**

(51) **LOC (12) Cl.** **06-08**

(52) **U.S. Cl.**

USPC **D6/315**

(58) **Field of Classification Search**

USPC D6/315-328
CPC A47G 25/20; A47G 25/26; A47G 25/28;
A47G 25/30; A47G 25/32; A47G 25/34;
A47G 25/36; A47G 25/38; A47G 25/442;
A47G 25/625; A47G 25/743; A47G
25/1407; A47G 25/1457; A47G 25/4053;
A47G 2025/1492; A47F 7/18; A47F 7/19;
A47F 7/22

See application file for complete search history.

(56) **References Cited**

U.S. PATENT DOCUMENTS

857,602 A 6/1907 Crane
1,990,454 A 2/1935 Johnston
2,634,030 A * 4/1953 Hershberger A47G 25/20
223/74
2,805,008 A 9/1957 Burrows
2,929,538 A 3/1960 Douglass
3,352,430 A 11/1967 MCatee et al.

(57) **CLAIM**

The ornamental design for a clothes hanger possessing extension rods, as shown and described.

DESCRIPTION

This application is related to U.S. Design patent application Ser. No. 29/615,940, filed on Aug. 31, 2017, entitled "Clothes Hanger," U.S. Design patent application Ser. No. 29/615,944, filed on Aug. 31, 2017, entitled "Clothes Hanger," U.S. Design patent application Ser. No. 29/615,952, filed on Aug. 31, 2017, entitled "Clothes Hanger," and U.S. patent application Ser. No. 15/693,015, filed on Aug. 31, 2017, entitled "Clothes Hanger Possessing Extension Rods."

FIG. 1 is a perspective view of a clothes hanger possessing extension rods showing our new design;

FIG. 2 is a front view thereof;

FIG. 3 is a rear view thereof;

FIG. 4 is a first side view thereof;

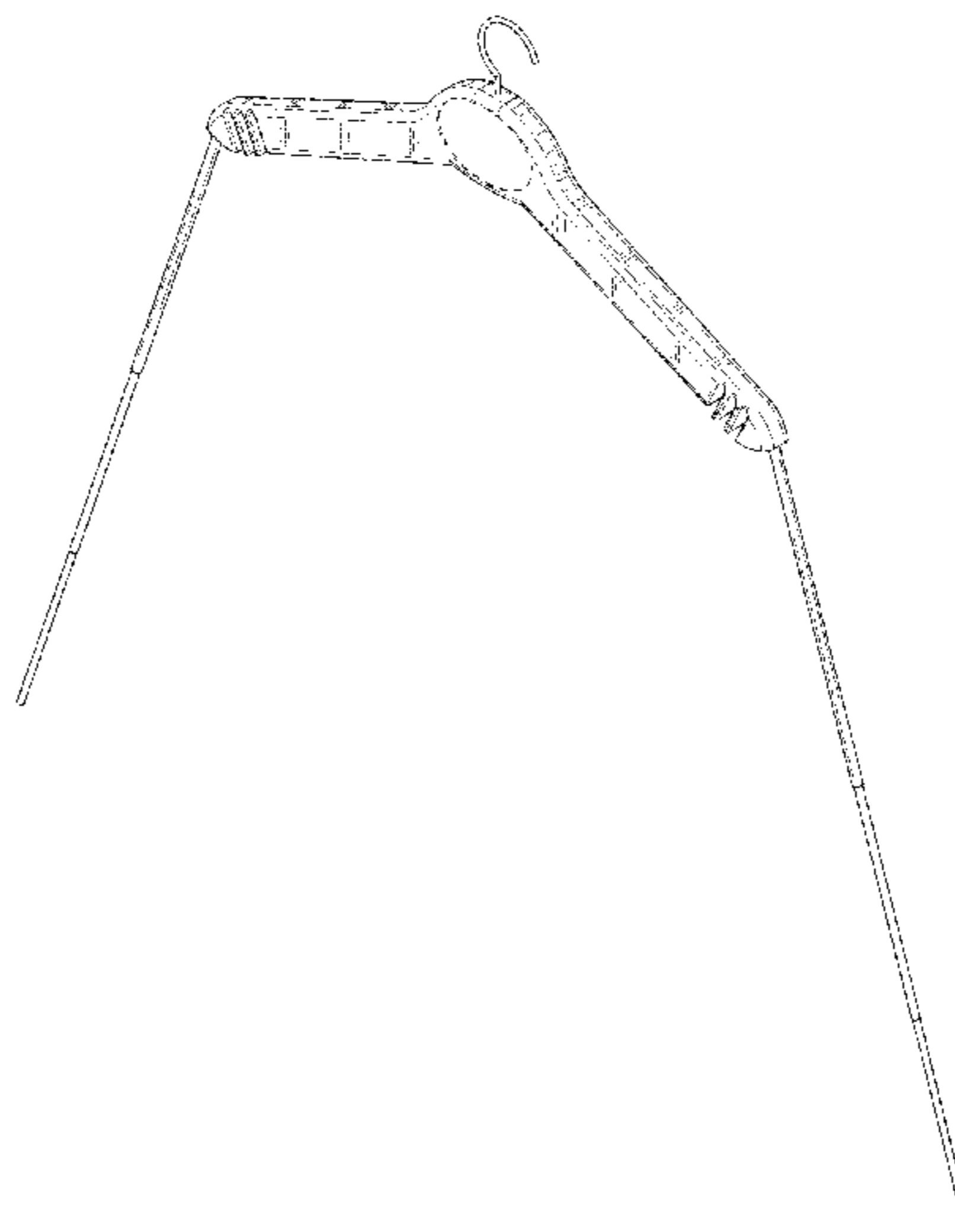
FIG. 5 is a second side view thereof;

FIG. 6 is a top view thereof; and,

FIG. 7 is a bottom view thereof.

The broken lines shown form no part of the claimed design.

1 Claim, 5 Drawing Sheets



(56)

References Cited

U.S. PATENT DOCUMENTS

5,836,487	A	11/1998	Lam	
7,036,696	B2	5/2006	Lam	
D591,058	S	4/2009	Patel	
8,028,869	B2	10/2011	Rossaki	
D650,176	S	12/2011	Gadsby	
8,177,106	B2	5/2012	Betts	
8,770,452	B1	7/2014	Gottlieb	
9,247,838	B2	2/2016	Kallet	
9,392,896	B1	7/2016	Lieck, Jr. et al.	
D792,113	S	7/2017	Tsujimoto et al.	
D833,763	S *	11/2018	Jewayni D6/317
D834,336	S *	11/2018	Mustafa D6/315
2005/0224530	A1 *	10/2005	Schaller A47G 25/442 223/85
2009/0120974	A1 *	5/2009	Rossaki A47G 25/20 223/94
2010/0251779	A1	10/2010	Zaglio	
2011/0073626	A1 *	3/2011	Sokol A47G 25/442 223/94
2011/0315723	A1 *	12/2011	McClellan A47G 25/4023 223/94
2016/0348302	A1 *	12/2016	Ye A47G 25/20
2017/0342650	A1 *	11/2017	Mainini A47G 25/20
2018/0055265	A1 *	3/2018	Jewayni A47G 25/4053

* cited by examiner

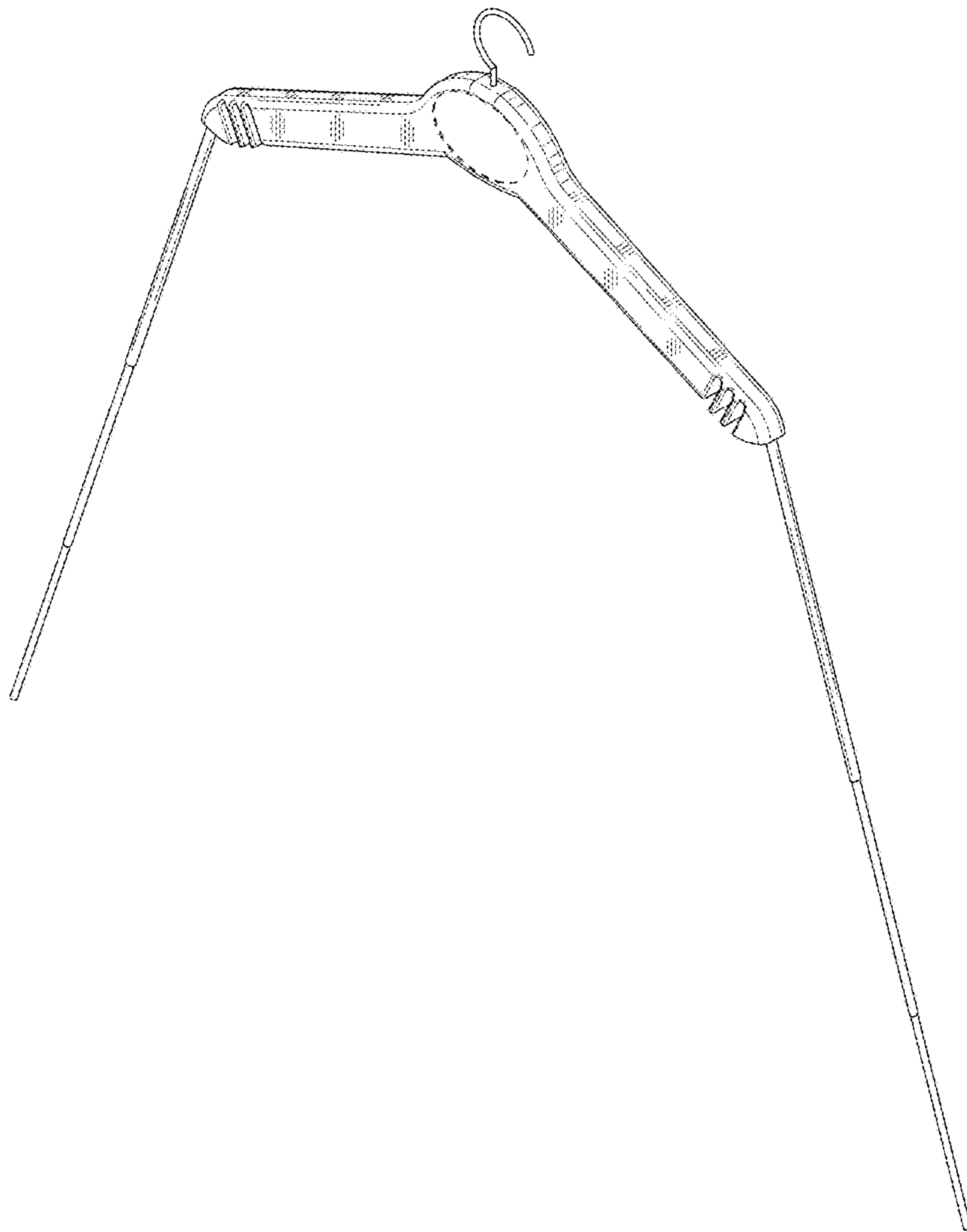


FIG. 1

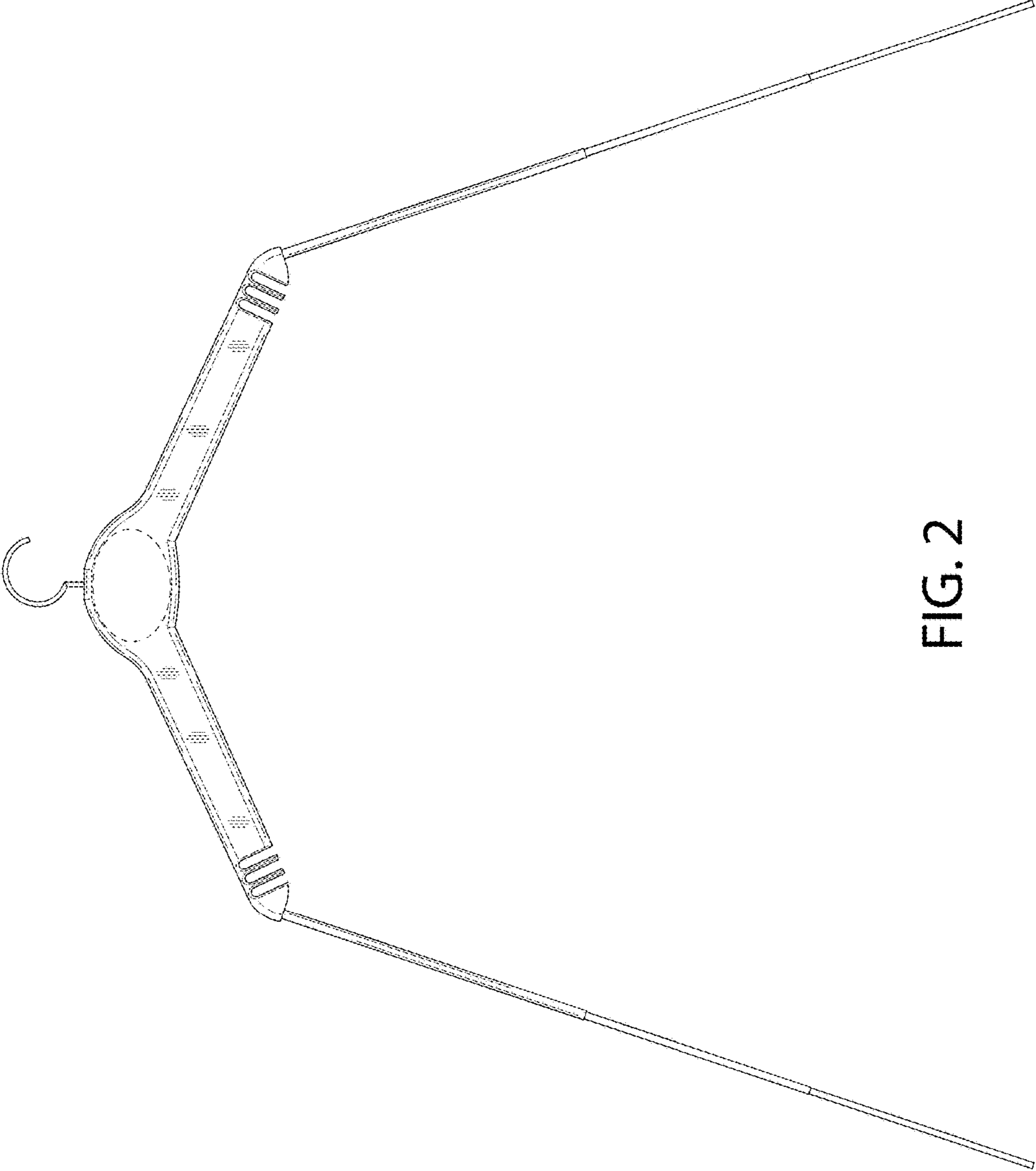


FIG. 2

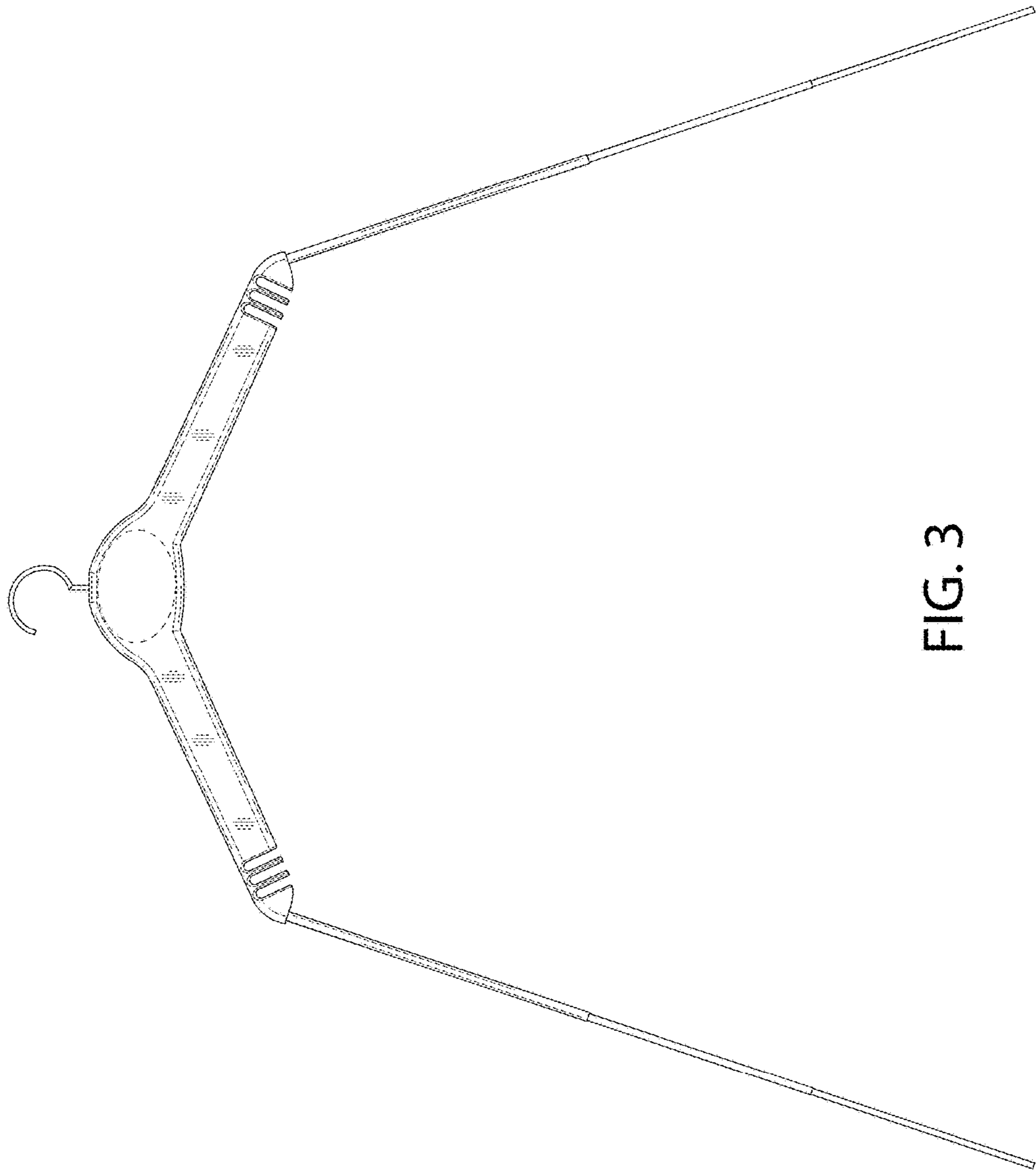


FIG. 3

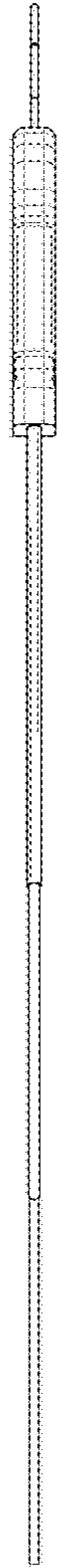


FIG. 4



FIG. 5



FIG. 6

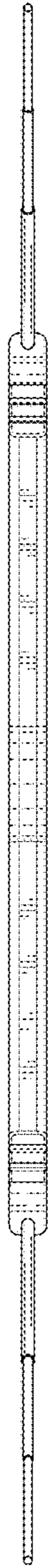


FIG. 7