

US00D860652S

(12) **United States Design Patent**
Sappenfield et al.

(10) **Patent No.:** **US D860,652 S**

(45) **Date of Patent:** **** Sep. 24, 2019**

(54) **HANDHELD DEVICE**

(71) Applicant: **Christopher C. Sappenfield**, Goodyear, AZ (US)

(72) Inventors: **Christopher C. Sappenfield**, Goodyear, AZ (US); **John Larkin**, Moscow, ID (US)

(73) Assignee: **Christopher C. Sappenfield**, Goodyear, AZ (US)

(**) Term: **15 Years**

(21) Appl. No.: **29/589,470**

(22) Filed: **Dec. 30, 2016**

(51) **LOC (12) Cl.** **04-02**

(52) **U.S. Cl.**
USPC **D4/104**

(58) **Field of Classification Search**
USPC D4/100, 101, 102, 104, 105, 107, 108, D4/109, 110, 111, 112, 113, 114, 116, D4/119, 124; D24/119, 136, 146, 147, D24/152, 156, 176, 221
CPC A46B 5/00; A46B 5/021; A46B 5/0095; A46B 9/04; A46B 9/10; A46B 13/008; A46B 13/02; A46B 13/04; A46B 13/08; A46B 15/0081; A46B 2200/1026; A46B 2200/106; A46B 2200/1066; A46B 2200/1073; A46B 2200/108; A46B 2200/1086

See application file for complete search history.

(56) **References Cited**

U.S. PATENT DOCUMENTS

D154,598 S * 7/1949 Gass D4/108
D156,134 S * 11/1949 Lodewick et al. 15/184
D170,095 S * 7/1953 Murry 15/184
D219,121 S * 11/1970 Krahner D4/104
D228,983 S * 11/1973 Janssens D4/101
D235,491 S * 6/1975 Spiegel D4/101

D241,891 S * 10/1976 Cannon D4/104
D279,526 S * 7/1985 Sturdza D4/104
D286,467 S * 11/1986 Berghash D4/108
5,040,553 A * 8/1991 Londono A46B 5/02
132/311
D390,008 S * 2/1998 Blosser D4/108
D402,812 S * 12/1998 Goff D4/108

(Continued)

Primary Examiner — Karen S Acker

Assistant Examiner — Jasmine Mlinarcik

(74) *Attorney, Agent, or Firm* — Christopher C. Sappenfield

(57) **CLAIM**

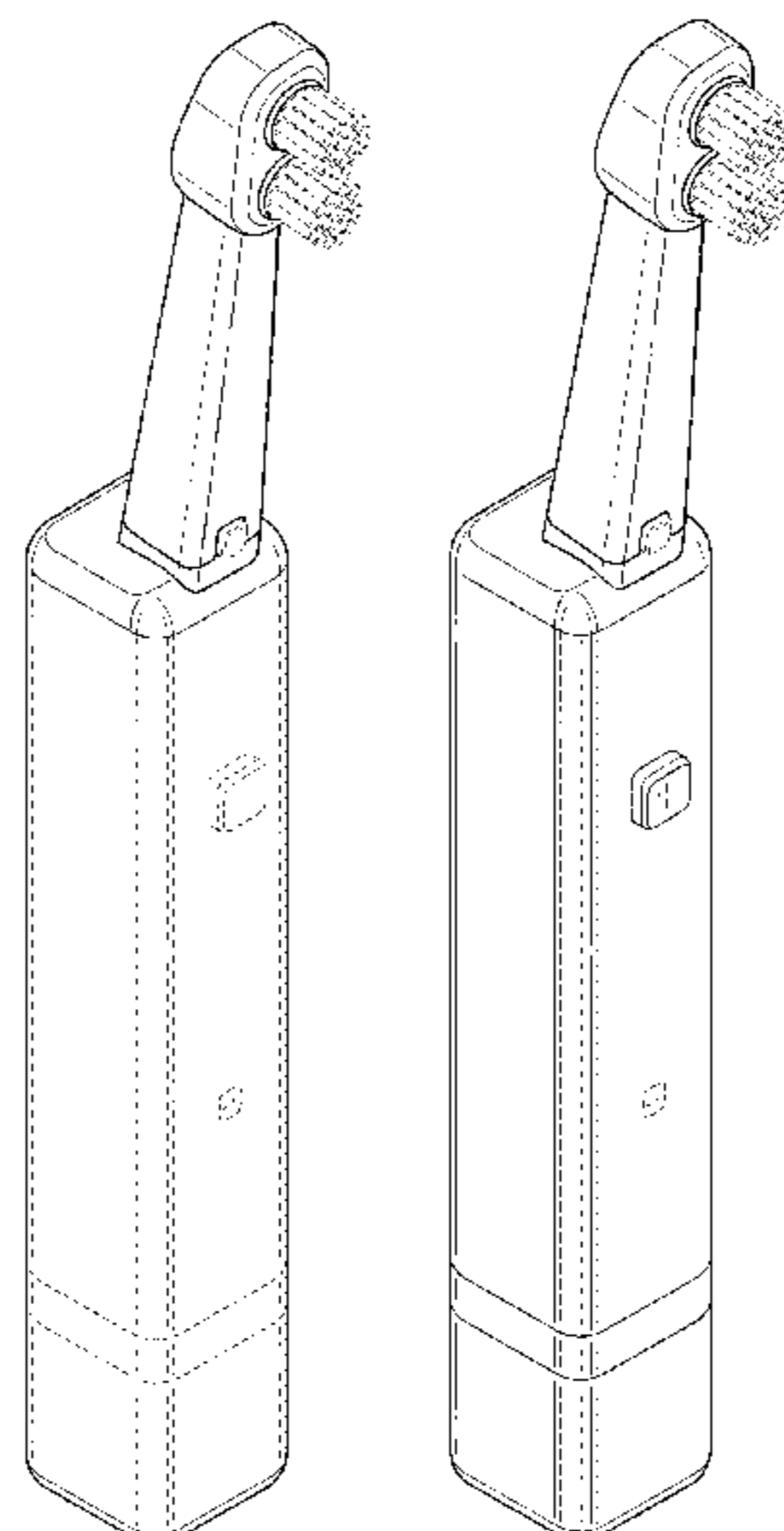
The ornamental design of a handheld device, as shown and described.

DESCRIPTION

FIG. 1 is a front perspective view of a handheld device according to the first embodiment; FIG. 2 is a rear perspective view thereof; FIG. 3 is a top view thereof; FIG. 4 is a front view thereof; FIG. 5 is a left side view thereof; FIG. 6 is a rear view thereof; FIG. 7 is a right side view thereof; FIG. 8 is a bottom view thereof; FIG. 9 is a front perspective view of the handheld device according to a second embodiment; FIG. 10 is a rear perspective view thereof; FIG. 11 is a top view thereof; FIG. 12 is a front view hereof; FIG. 13 is a left side view thereof; FIG. 14 is a rear view thereof; FIG. 15 is a right side view thereof; and, FIG. 16 is a bottom view thereof.

The broken lines shown in the drawings are for the purpose of illustrating unclaimed portions of the handheld device and form no part of the claimed design.

1 Claim, 8 Drawing Sheets



(56)

References Cited

U.S. PATENT DOCUMENTS

D426,708 S *	6/2000	Francis	D4/108
D439,413 S *	3/2001	Klein	D4/108
D485,439 S *	1/2004	Breit	D4/101
D611,712 S *	3/2010	Stoerkel	D4/104
D764,248 S *	8/2016	Eisinger	D8/70
D770,184 S *	11/2016	Gabriele	D4/104
D812,378 S *	3/2018	DeRicco	D4/110
2008/0109979 A1 *	5/2008	Jo	A46B 9/026 15/167.1

* cited by examiner

FIG. 1

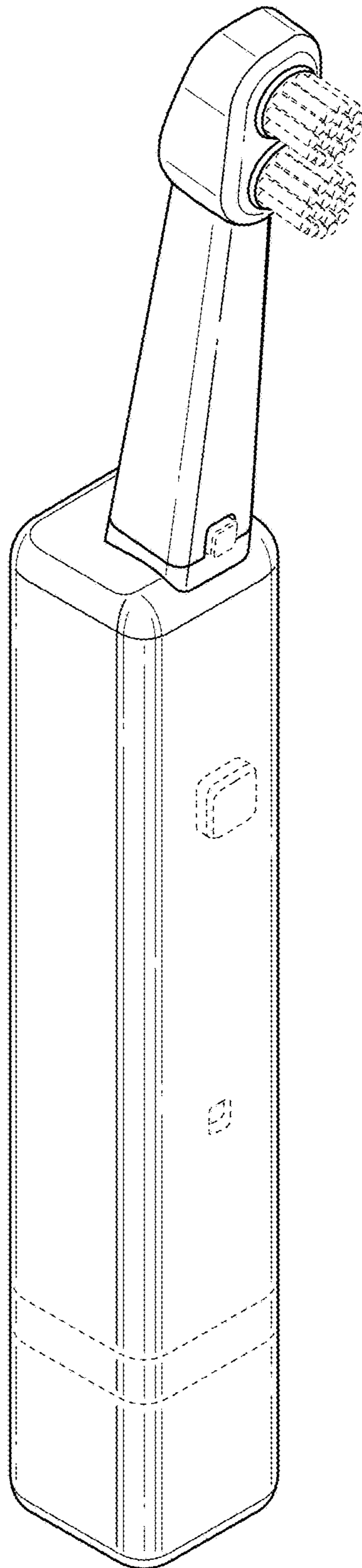


FIG. 2

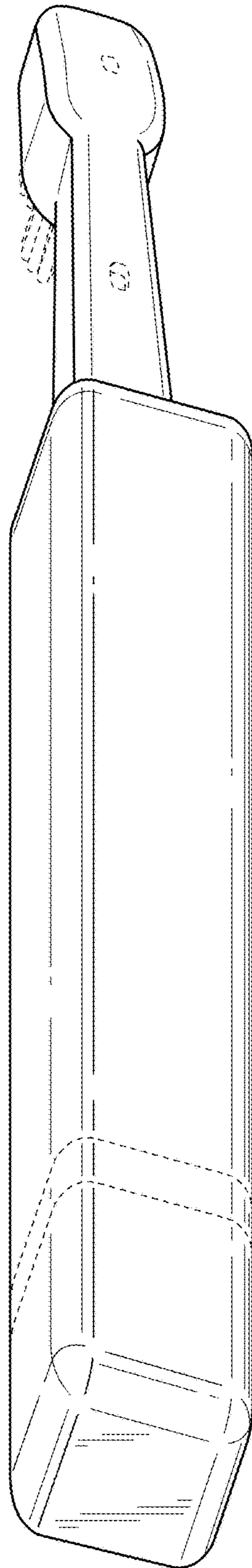


FIG. 3

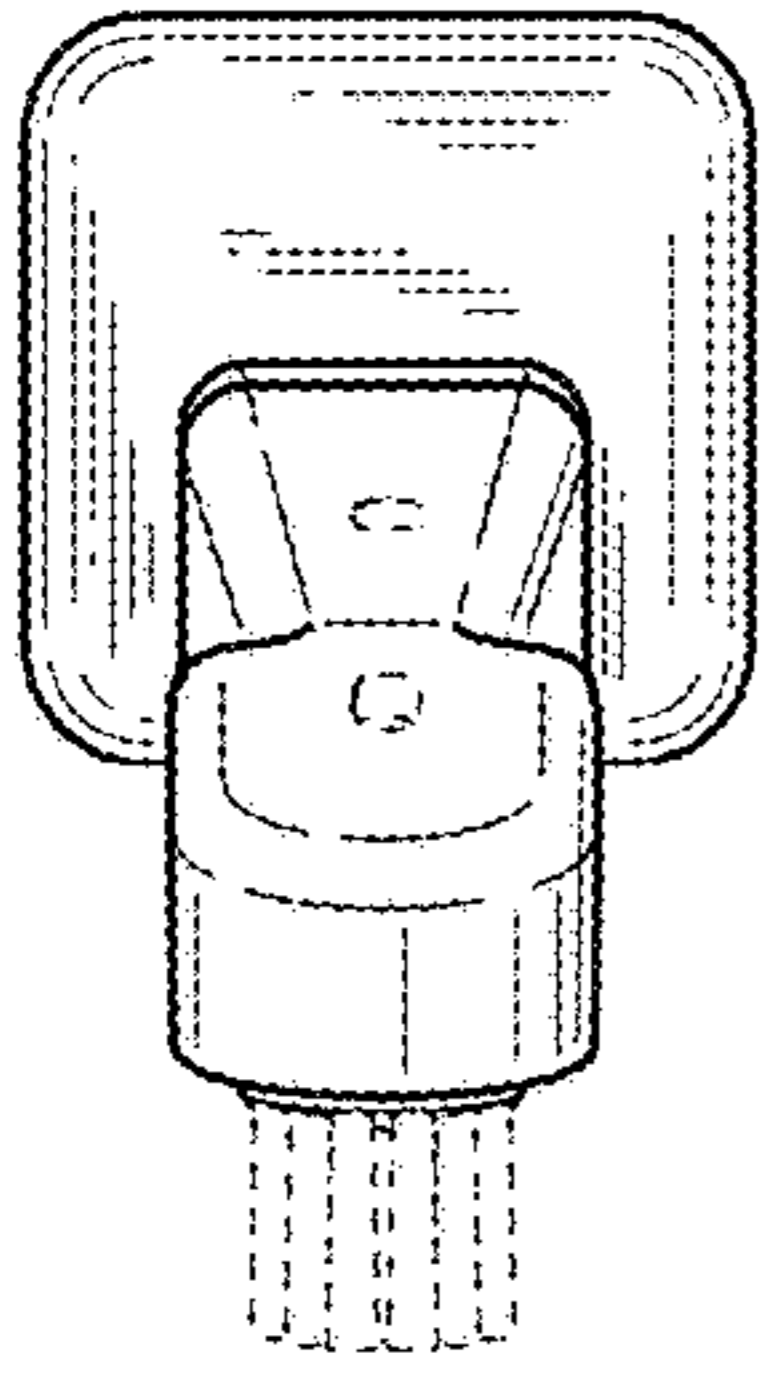


FIG. 4

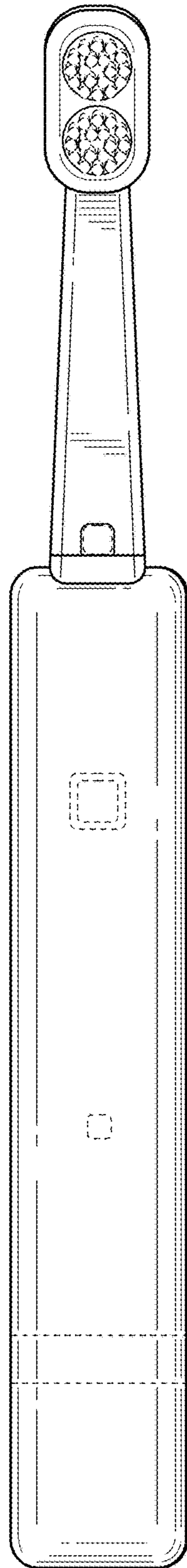


FIG. 5

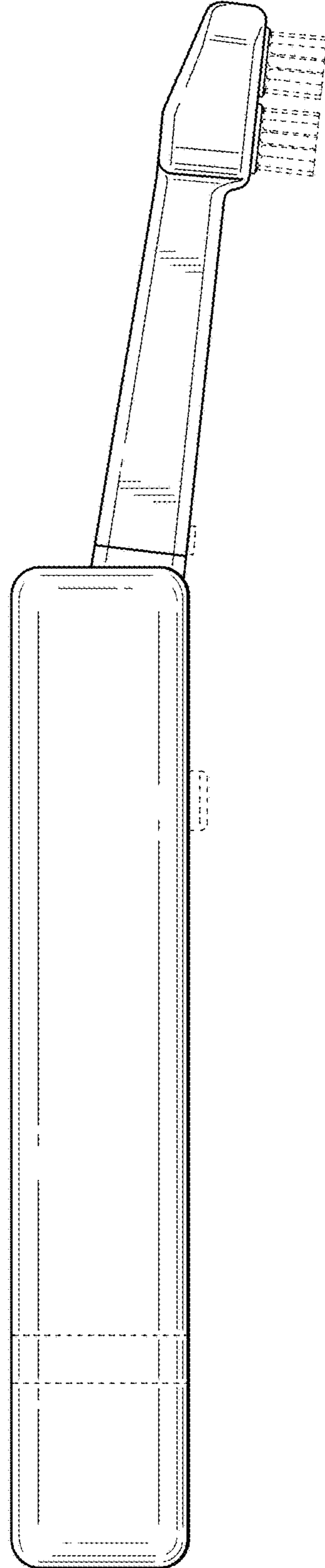


FIG. 6

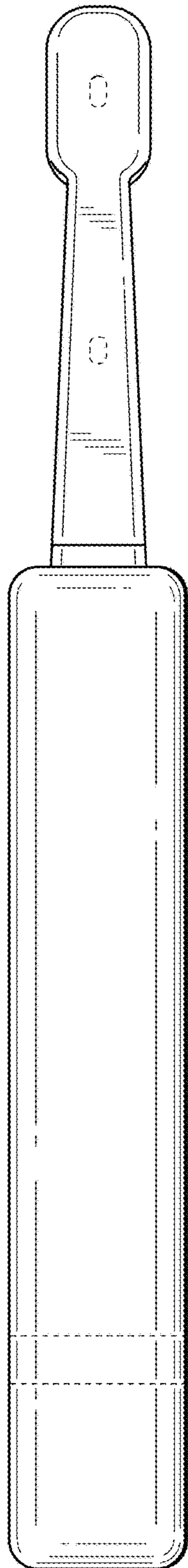


FIG. 7

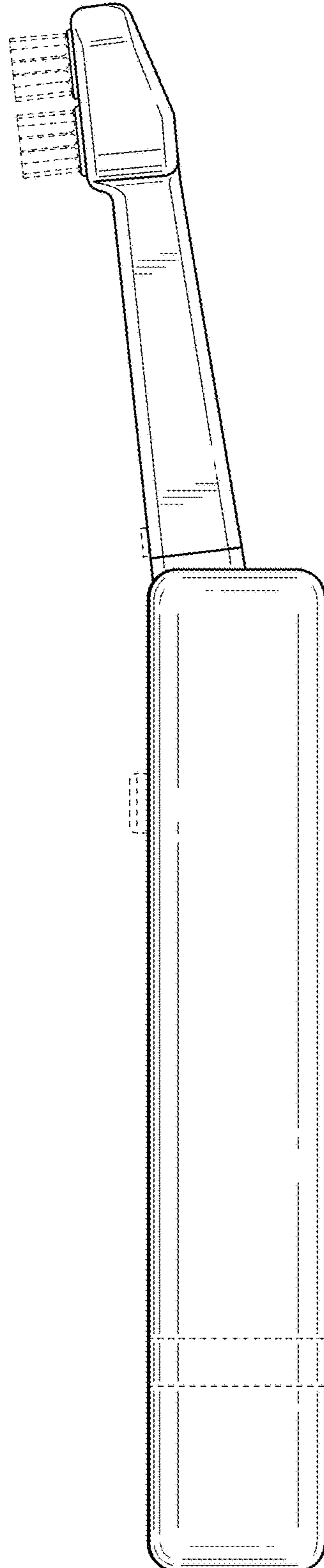


FIG. 8

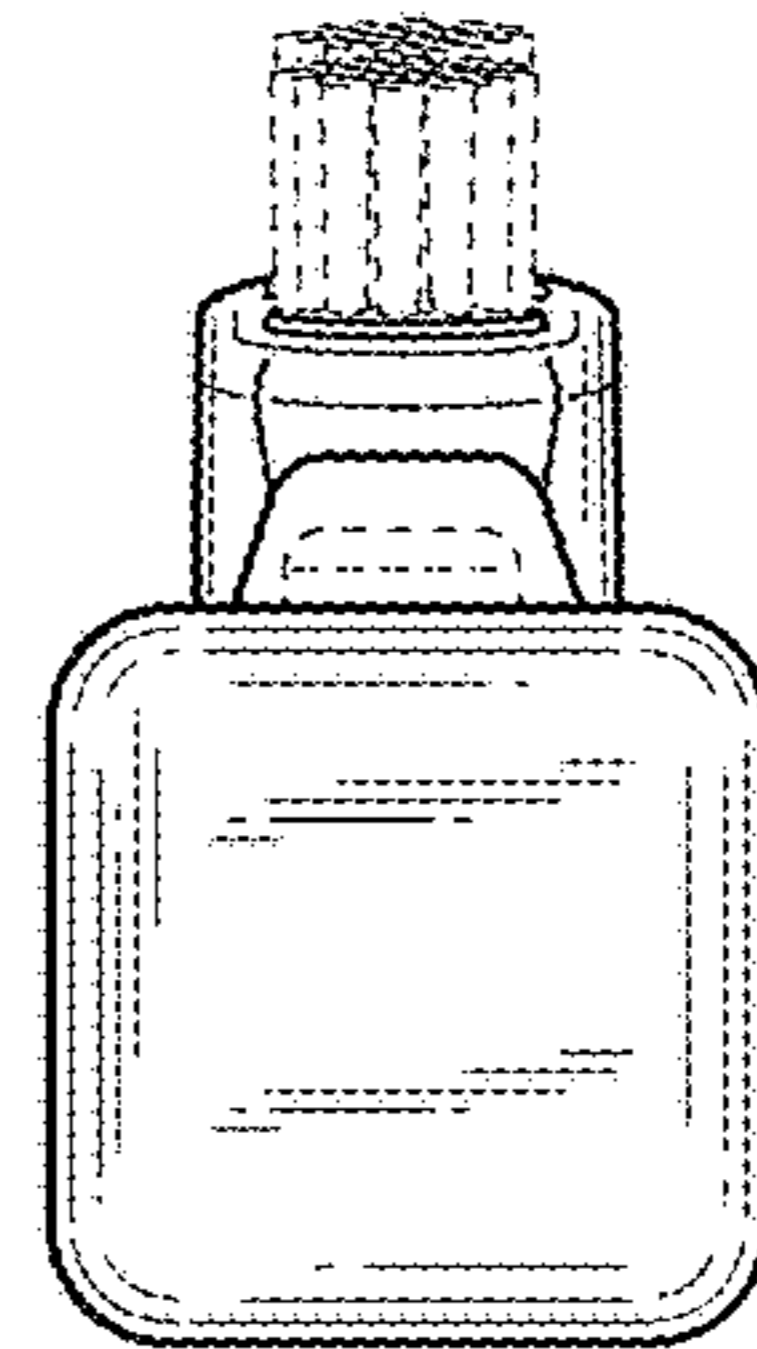


FIG. 9

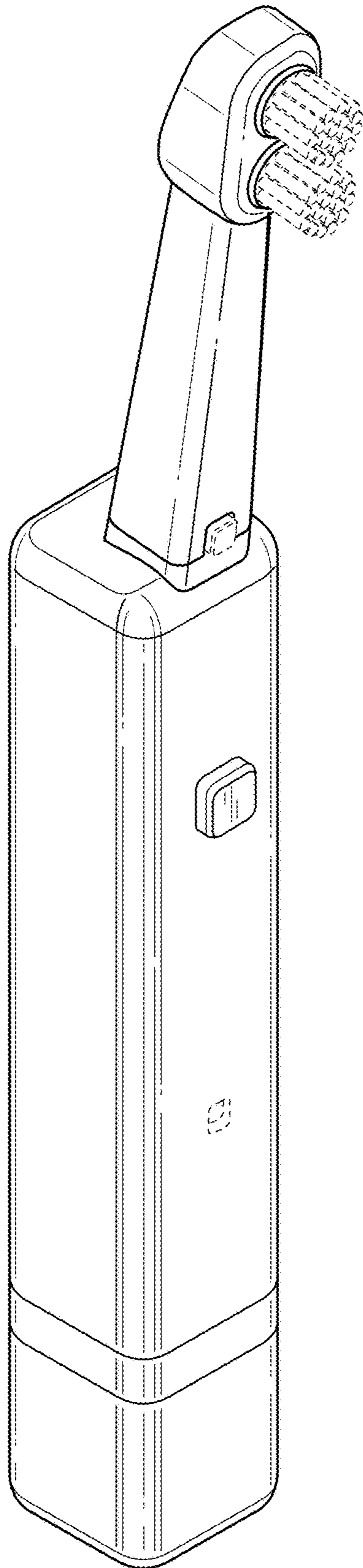


FIG. 10

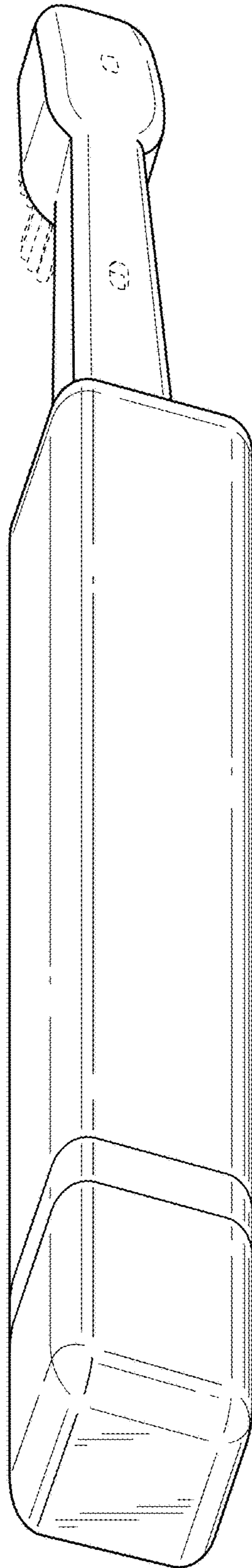


FIG. 11

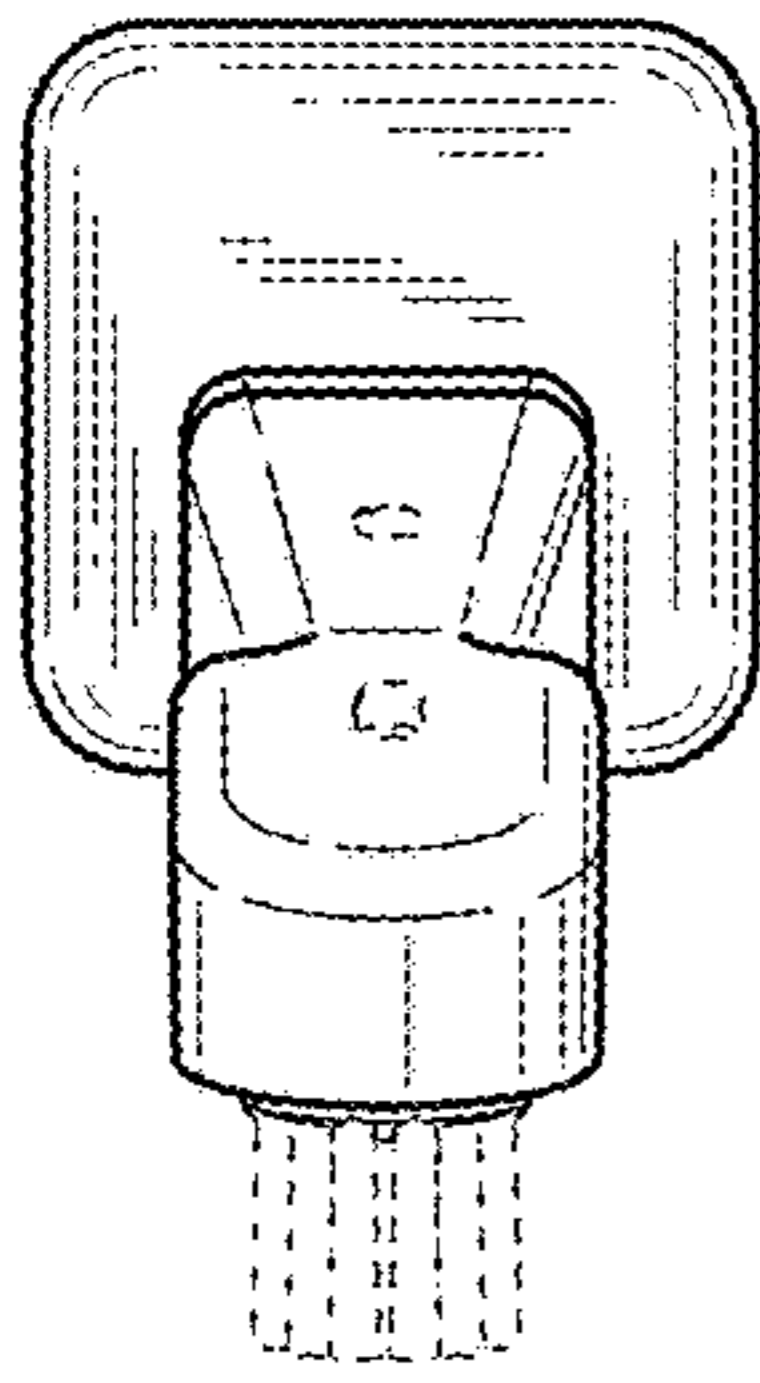


FIG. 12

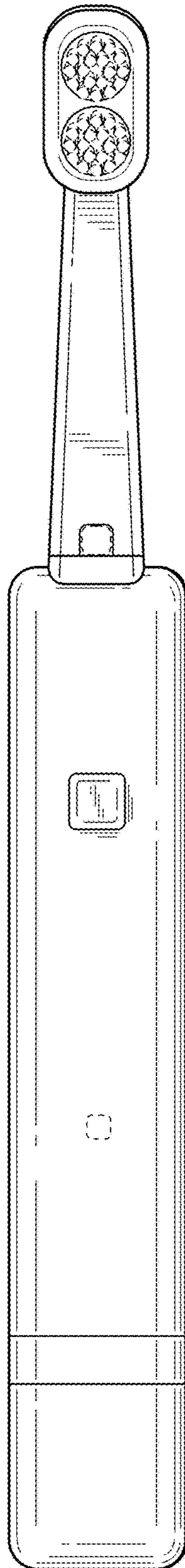


FIG. 13

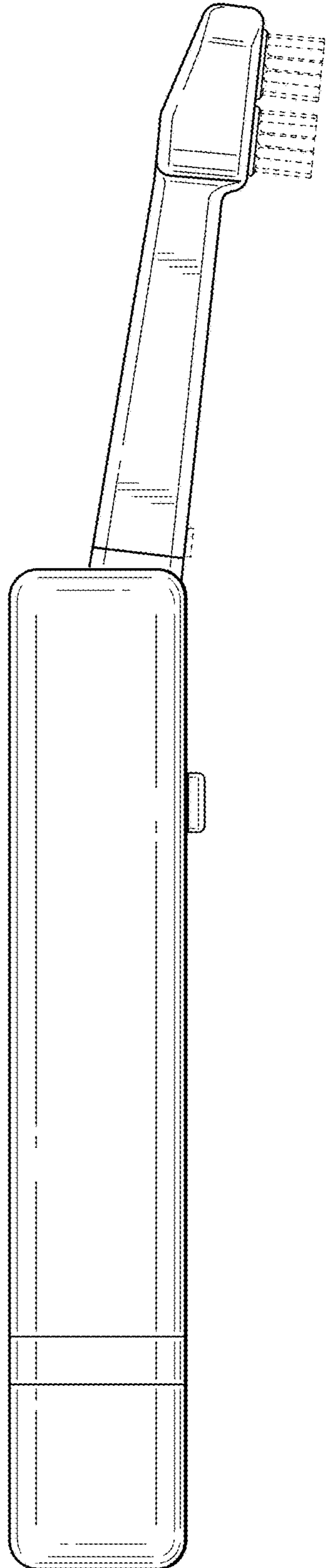


FIG. 14

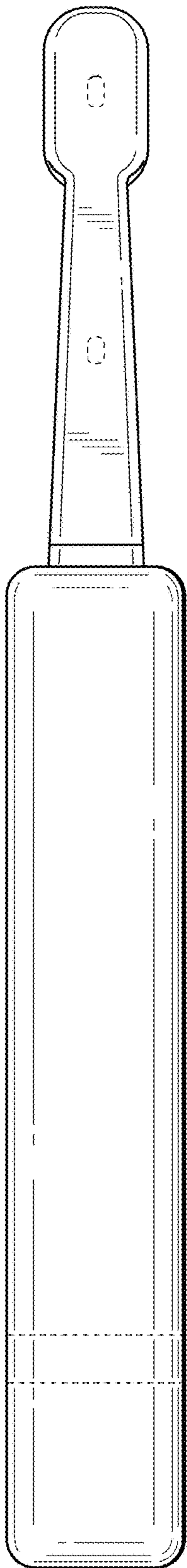


FIG. 15

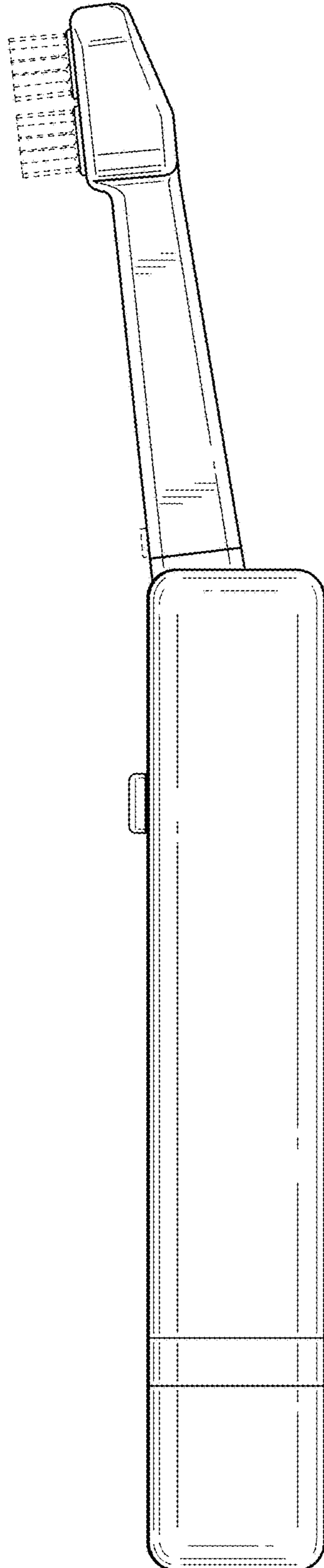


FIG. 16

