

US00D860645S

(12) **United States Design Patent**
Wu

(10) **Patent No.:** **US D860,645 S**

(45) **Date of Patent:** **** Sep. 24, 2019**

(54) **WALLET**

(71) Applicant: **Arthur Wu**, Long Beach, CA (US)

(72) Inventor: **Arthur Wu**, Long Beach, CA (US)

(73) Assignee: **Arthur Wu**, Long Beach, CA (US)

(**) Term: **15 Years**

(21) Appl. No.: **29/640,022**

(22) Filed: **Mar. 12, 2018**

(51) **LOC (12) Cl.** **03-01**

(52) **U.S. Cl.**
USPC **D3/247**

(58) **Field of Classification Search**
USPC D3/247, 249–253
CPC A45C 3/08; A45C 1/08
See application file for complete search history.

(56) **References Cited**

U.S. PATENT DOCUMENTS

D690,931 S	*	10/2013	Minn	D3/247
D695,013 S	*	12/2013	Minn	D3/247
D768,383 S	*	10/2016	Wu	D3/247
D775,824 S	*	1/2017	King	D3/247
D780,449 S	*	3/2017	King	D3/247
D798,591 S	*	10/2017	King	D3/247
D806,386 S	*	1/2018	King	D3/247
D814,182 S	*	4/2018	Haarburger	D3/247

D814,183 S	*	4/2018	Haarburger	D3/247
D817,316 S	*	5/2018	Srouer	D14/251
10,080,409 B2	*	9/2018	King	A45C 1/06
D831,349 S	*	10/2018	Deng	D3/247
D835,410 S	*	12/2018	Chan	D3/247

* cited by examiner

Primary Examiner — Holly H Baynham

(57) **CLAIM**

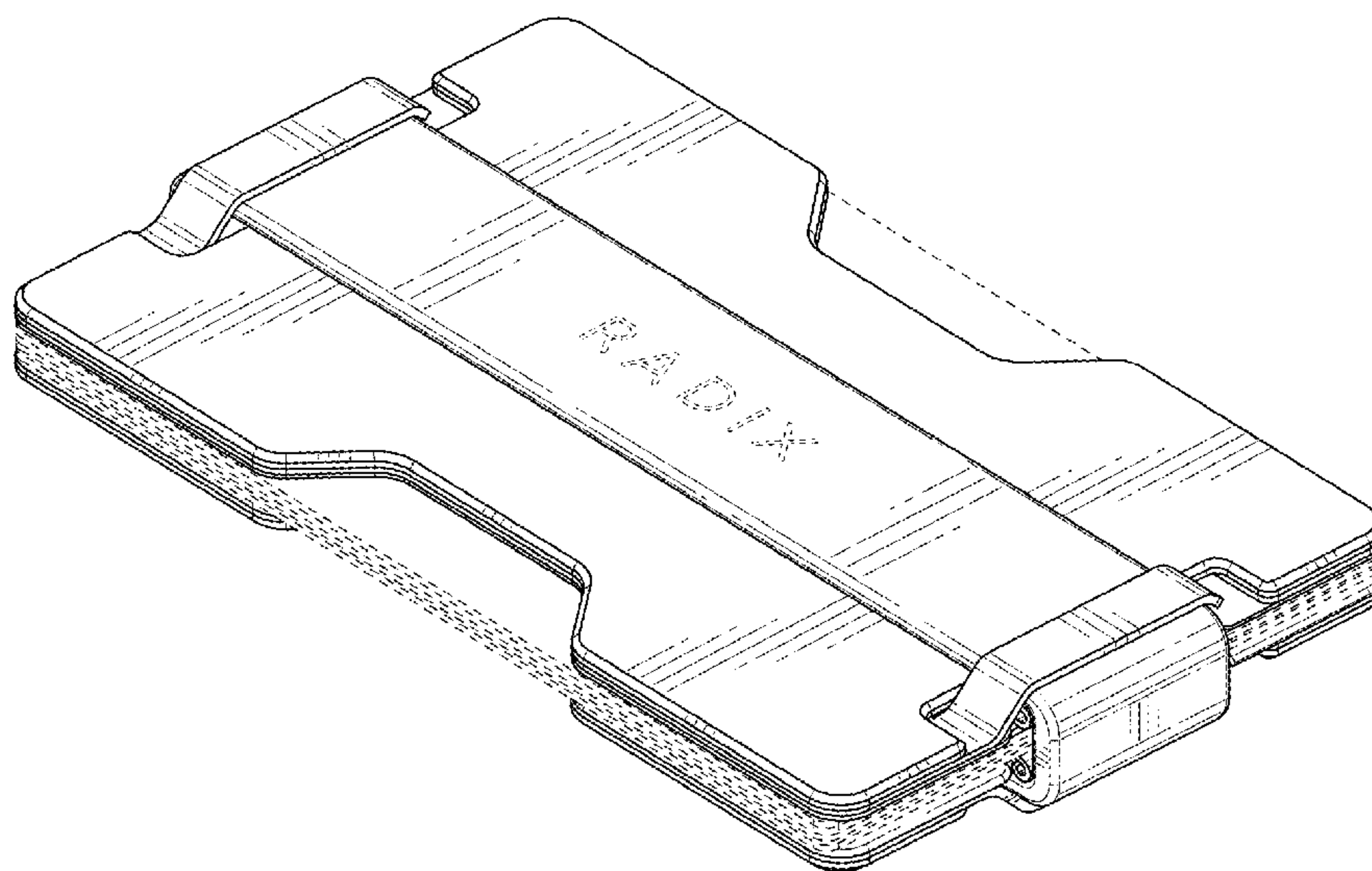
The ornamental design for a wallet, as shown and described.

DESCRIPTION

FIG. 1 is a front, first side, top perspective view of a wallet according to my design;
 FIG. 2 is a back, second side, bottom perspective view thereof;
 FIG. 3 is a front view thereof;
 FIG. 4 is a back view thereof;
 FIG. 5 is a first side view thereof;
 FIG. 6 is a second side view thereof;
 FIG. 7 is a top view thereof;
 FIG. 8 is a bottom view thereof; and,
 FIG. 9 is a back, second side, bottom exploded perspective view thereof of a bottom portion of the wallet with a band of the wallet removed to illustrate that the wallet includes multiple layers.

The broken line portions of the figure drawings are included to show unclaimed subject matter only for the purpose of illustrating environment and forms no part of the claimed design.

1 Claim, 9 Drawing Sheets



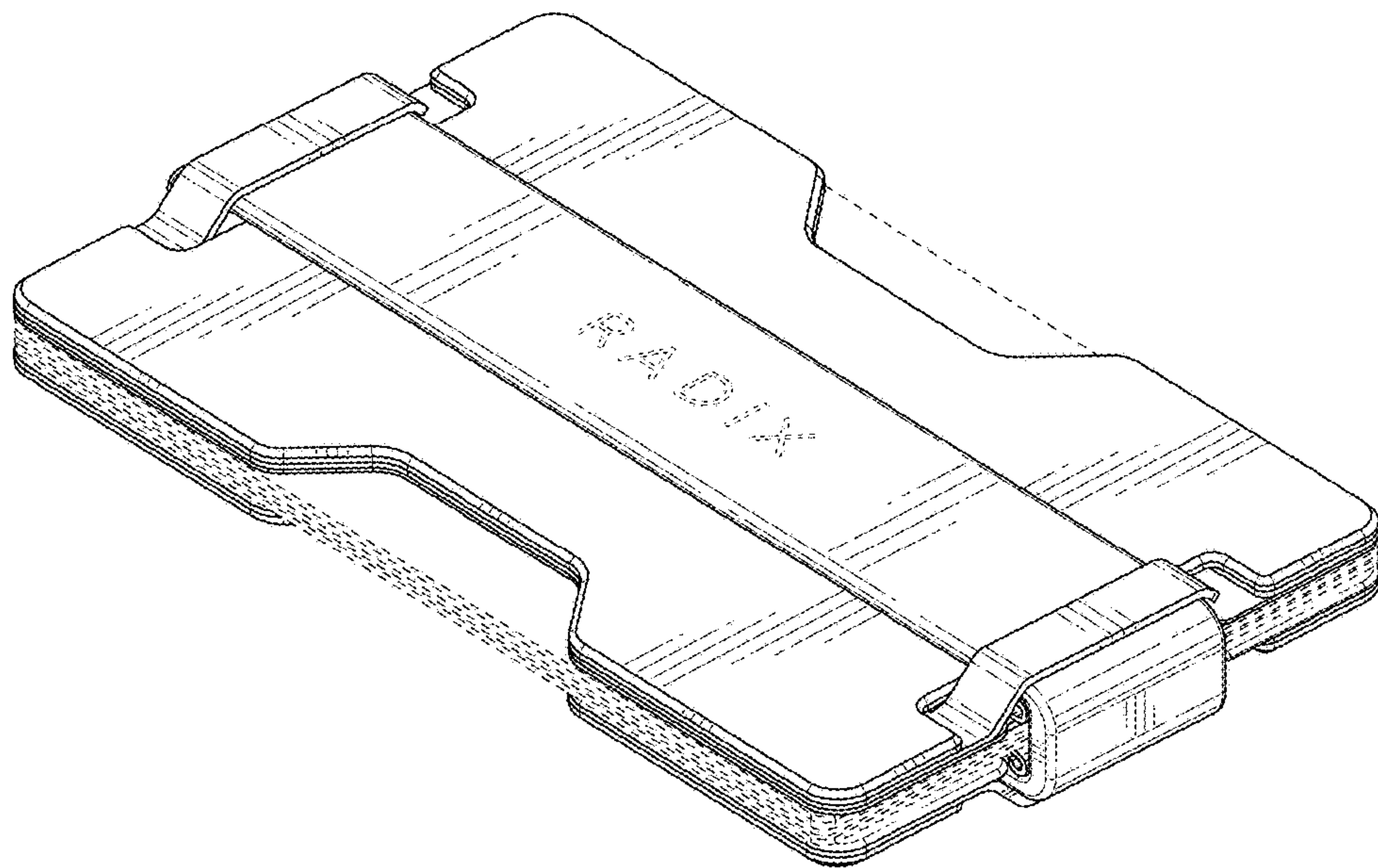


FIG. 1

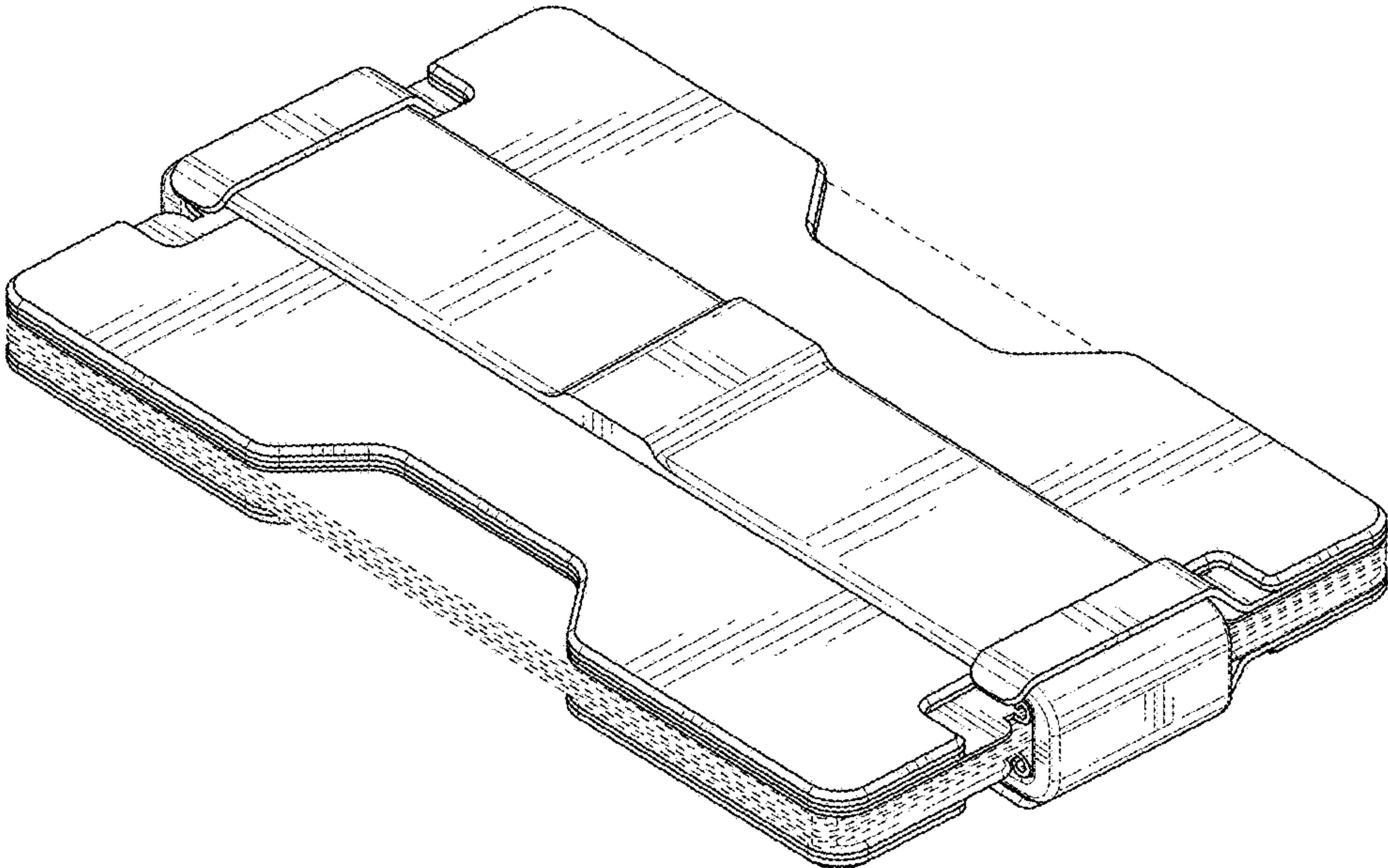


FIG. 2

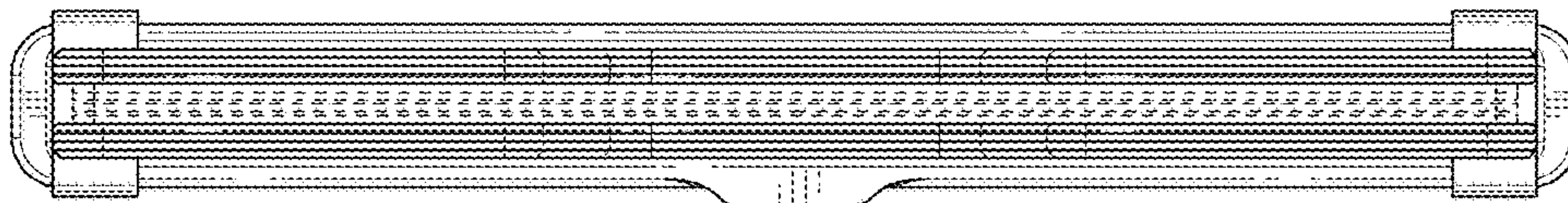


FIG. 3

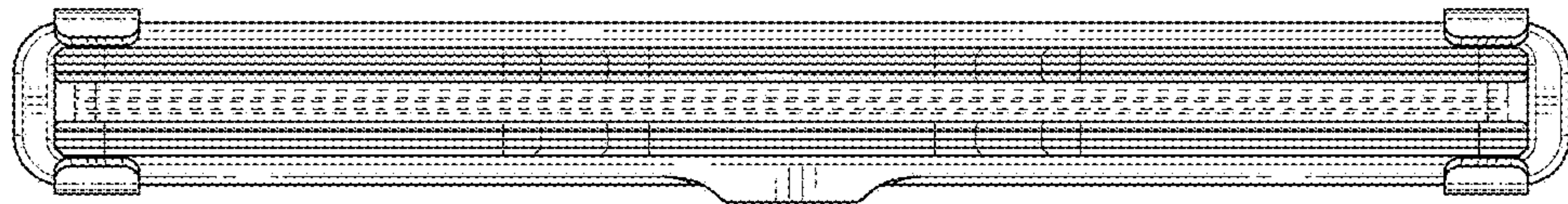


FIG. 4

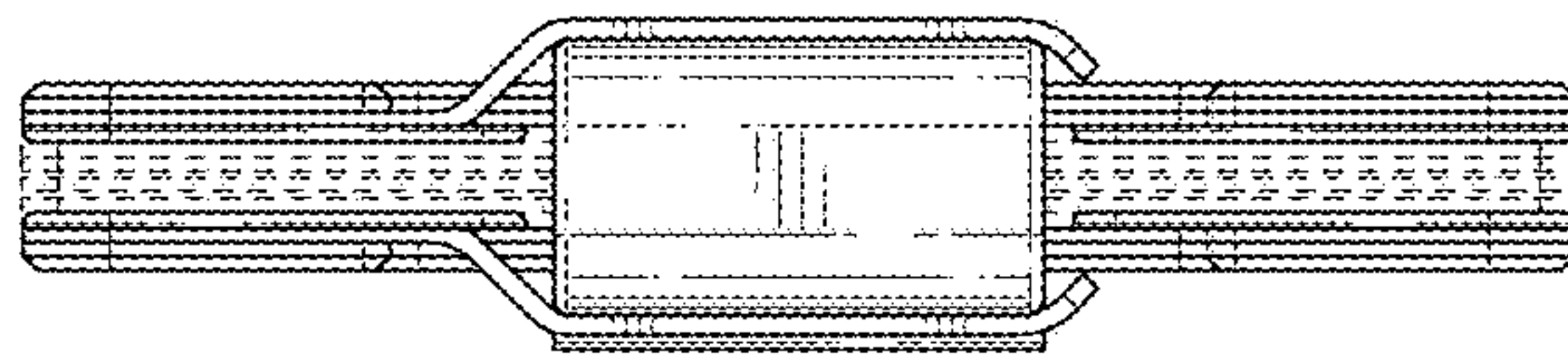


FIG. 5

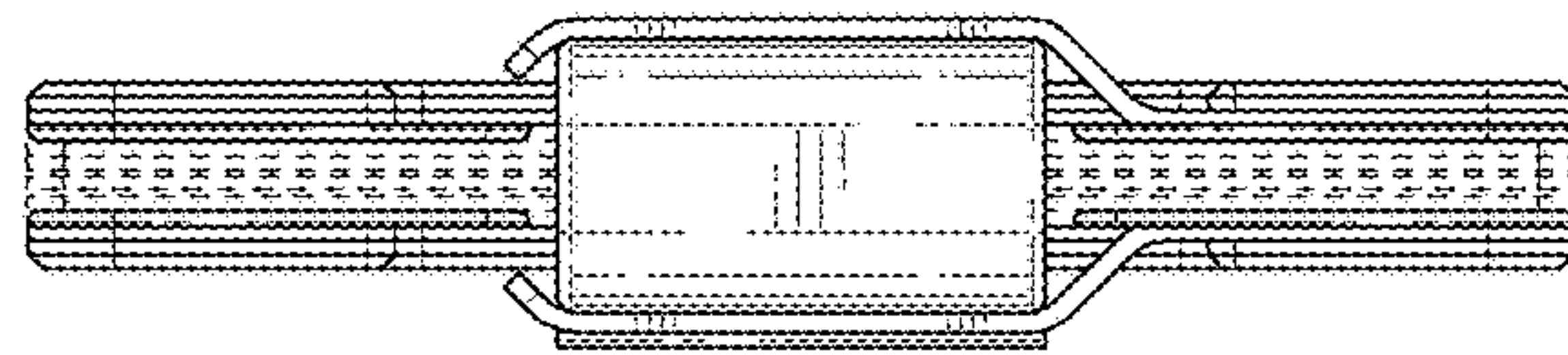


FIG. 6

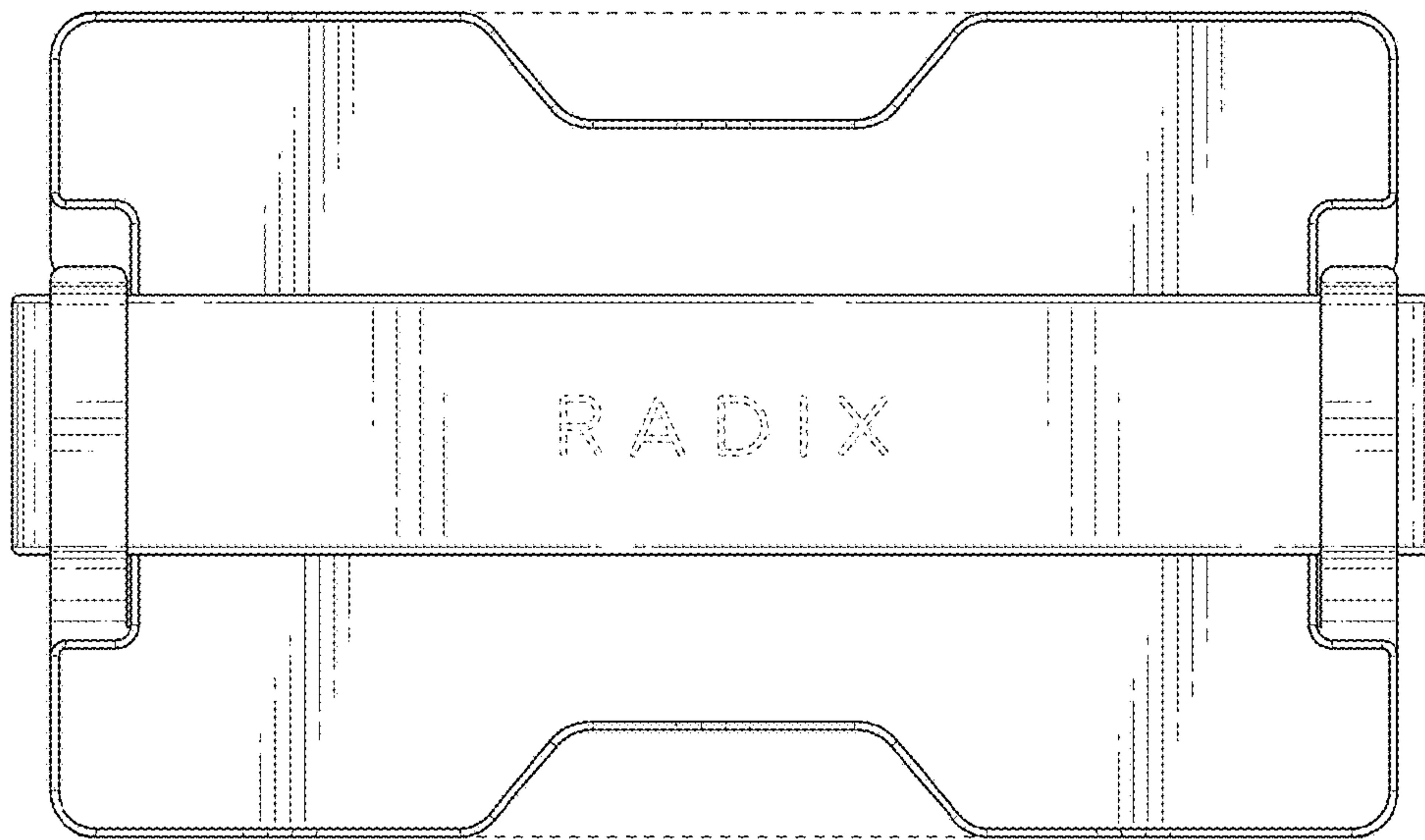


FIG. 7

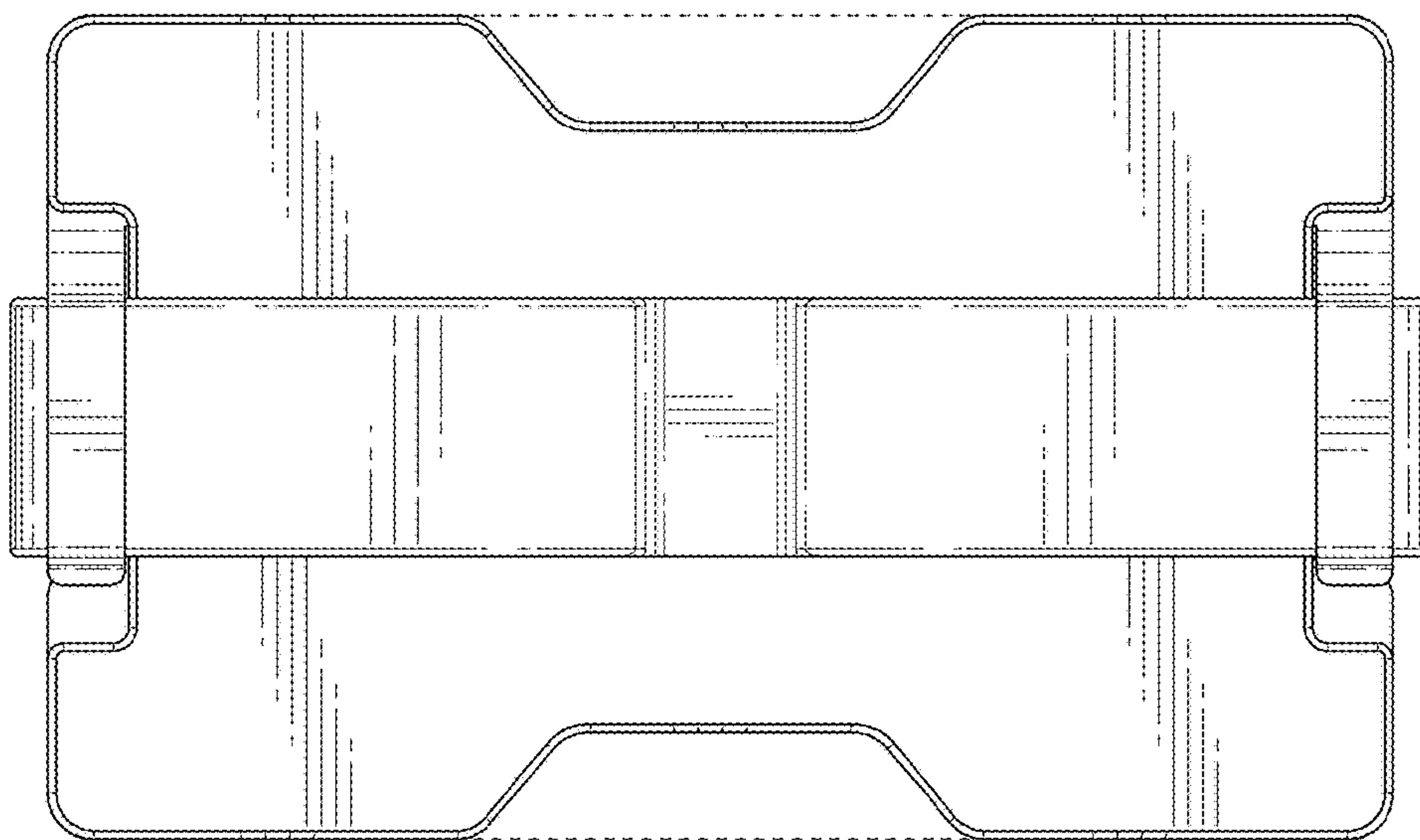


FIG. 8

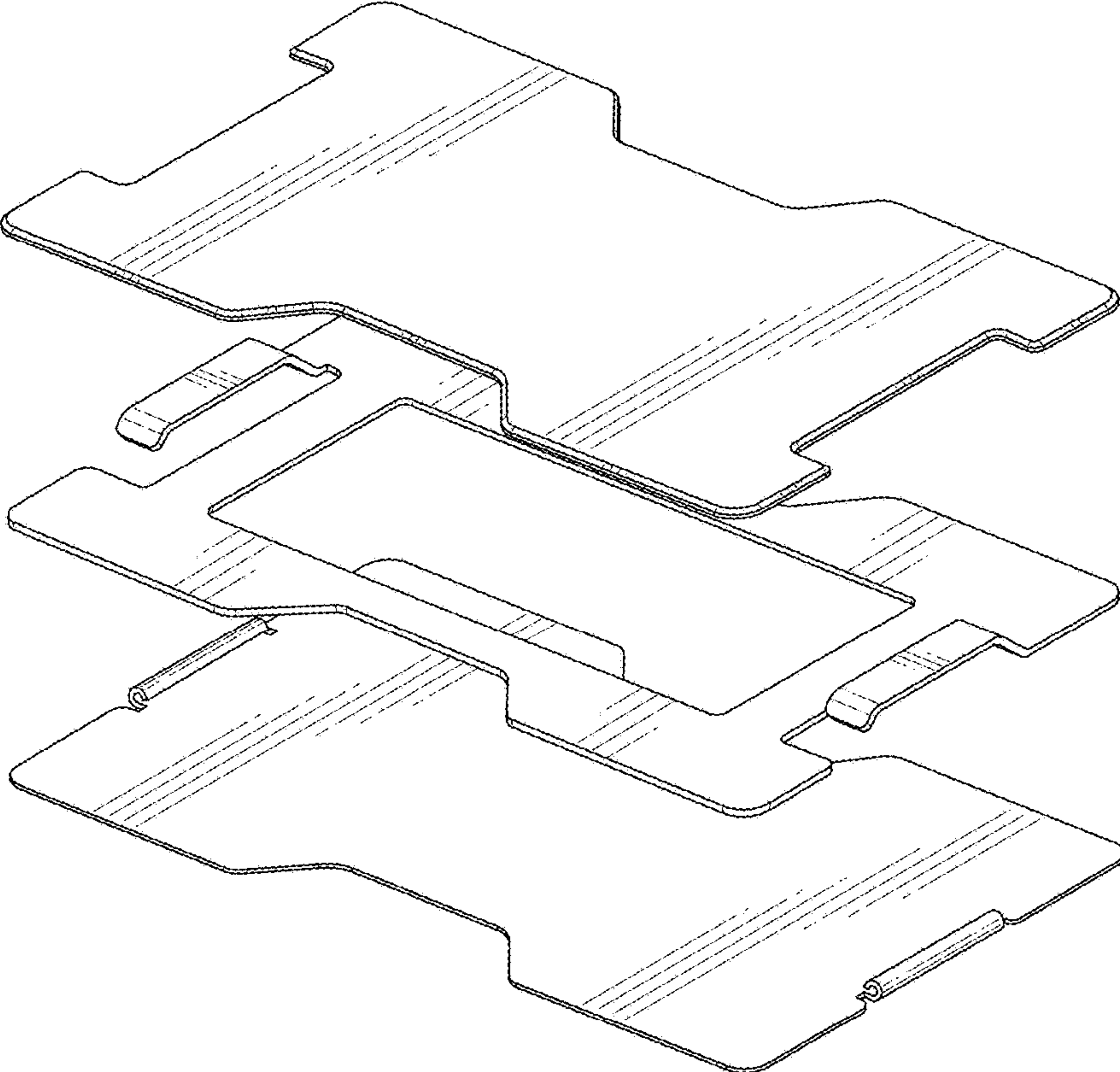


FIG. 9