



US00D860644S

(12) **United States Design Patent**
Dolce et al.

(10) **Patent No.:** **US D860,644 S**
(45) **Date of Patent:** **** Sep. 24, 2019**

(54) **HANDBAG**

(71) Applicant: **DOLCE & GABBANA S.r.l.**, Milan
(IT)

(72) Inventors: **Domenico Dolce**, Milan (IT); **Stefano Gabbana**, Milan (IT)

(73) Assignee: **Dolce & Gabbana S.r.l.** (IT)

(**) Term: **15 Years**

(21) Appl. No.: **29/656,255**

(22) Filed: **Jul. 11, 2018**

(30) **Foreign Application Priority Data**

Jan. 12, 2018 (EM) 004663813

(51) **LOC (12) Cl.** **03-01**

(52) **U.S. Cl.**
USPC **D3/243**

(58) **Field of Classification Search**
USPC D3/232-233, 240-243, 245-246
CPC A45C 1/024; A45C 3/06
See application file for complete search history.

(56) **References Cited**

U.S. PATENT DOCUMENTS

847,295 A * 3/1907 Randall A45C 3/06
150/118
1,562,408 A * 11/1925 Berkowitz A45C 3/06
150/103

D757,426 S * 5/2016 Molina D3/232
D787,818 S * 5/2017 Gerbelle D3/243
D789,684 S * 6/2017 Michele D3/232
D790,852 S * 7/2017 Gerbelle D3/243
D814,179 S * 4/2018 Del Chiaro D3/243
D814,788 S * 4/2018 Nair D3/243

* cited by examiner

Primary Examiner — Holly H Baynham

(74) *Attorney, Agent, or Firm* — Saidman DesignLaw Group, LLC

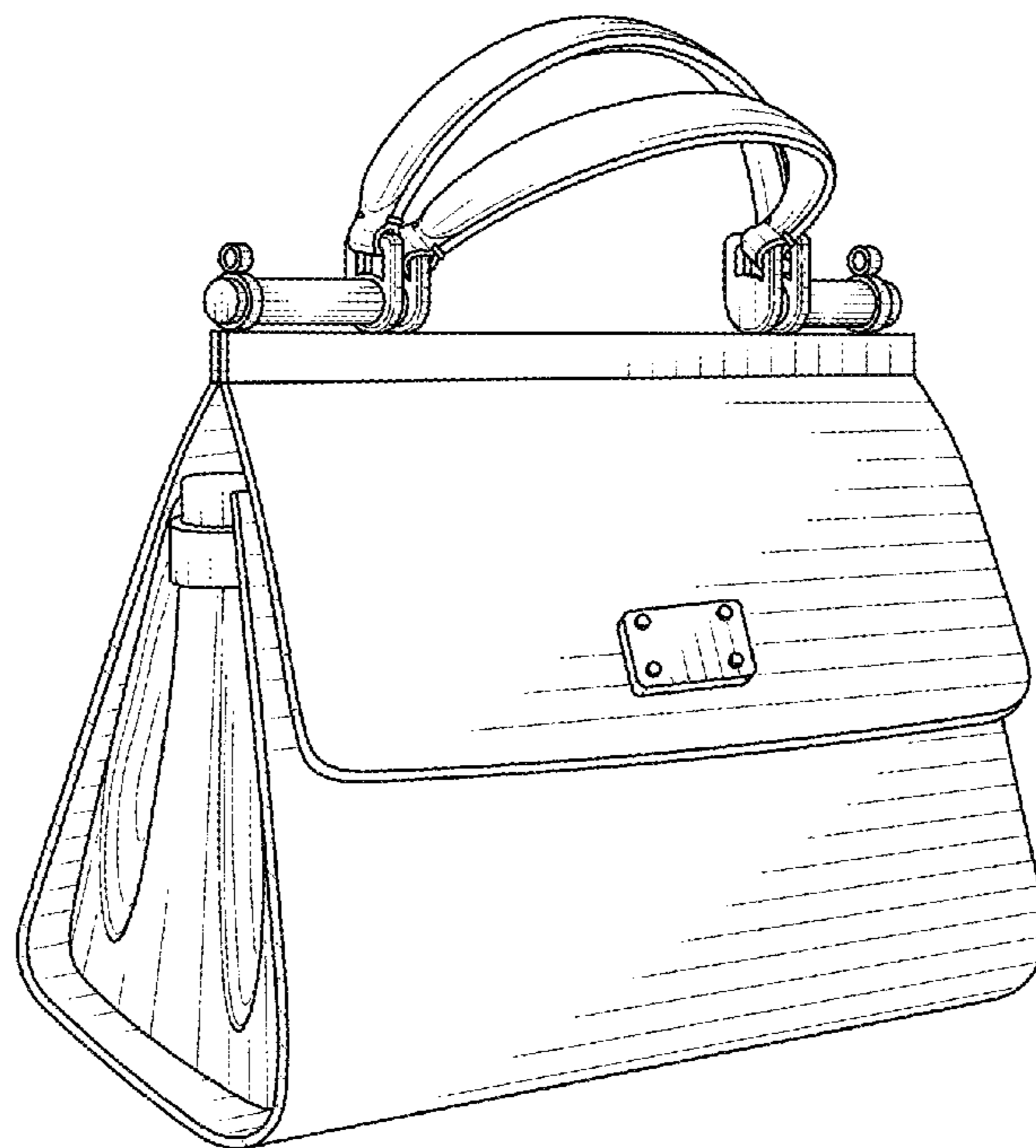
(57) **CLAIM**

The ornamental design for a handbag, as shown and described.

DESCRIPTION

FIG. 1 is a front perspective view of a handbag showing our new design;
FIG. 2 is a front view thereof;
FIG. 3 is a rear view thereof;
FIG. 4 is a top view thereof;
FIG. 5 is a bottom view thereof;
FIG. 6 is a right side view thereof;
FIG. 7 is a front perspective view thereof in an alternate position;
FIG. 8 is a left side view thereof;
FIG. 9 is a front view thereof; and,
FIG. 10 is a rear view thereof.
The broken lines illustrate structure or features which form no part of the claimed design.

1 Claim, 6 Drawing Sheets



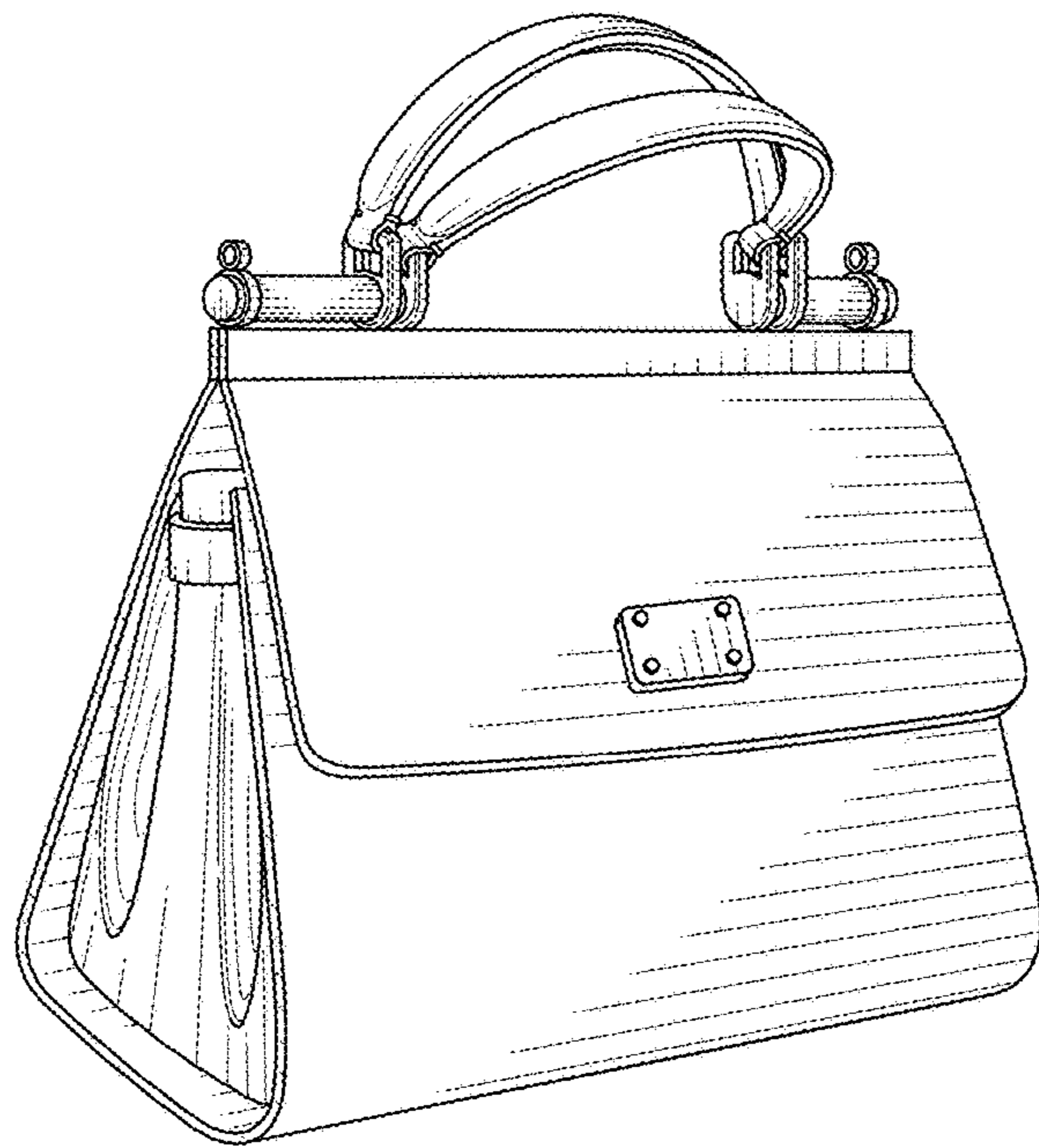


FIG. 1

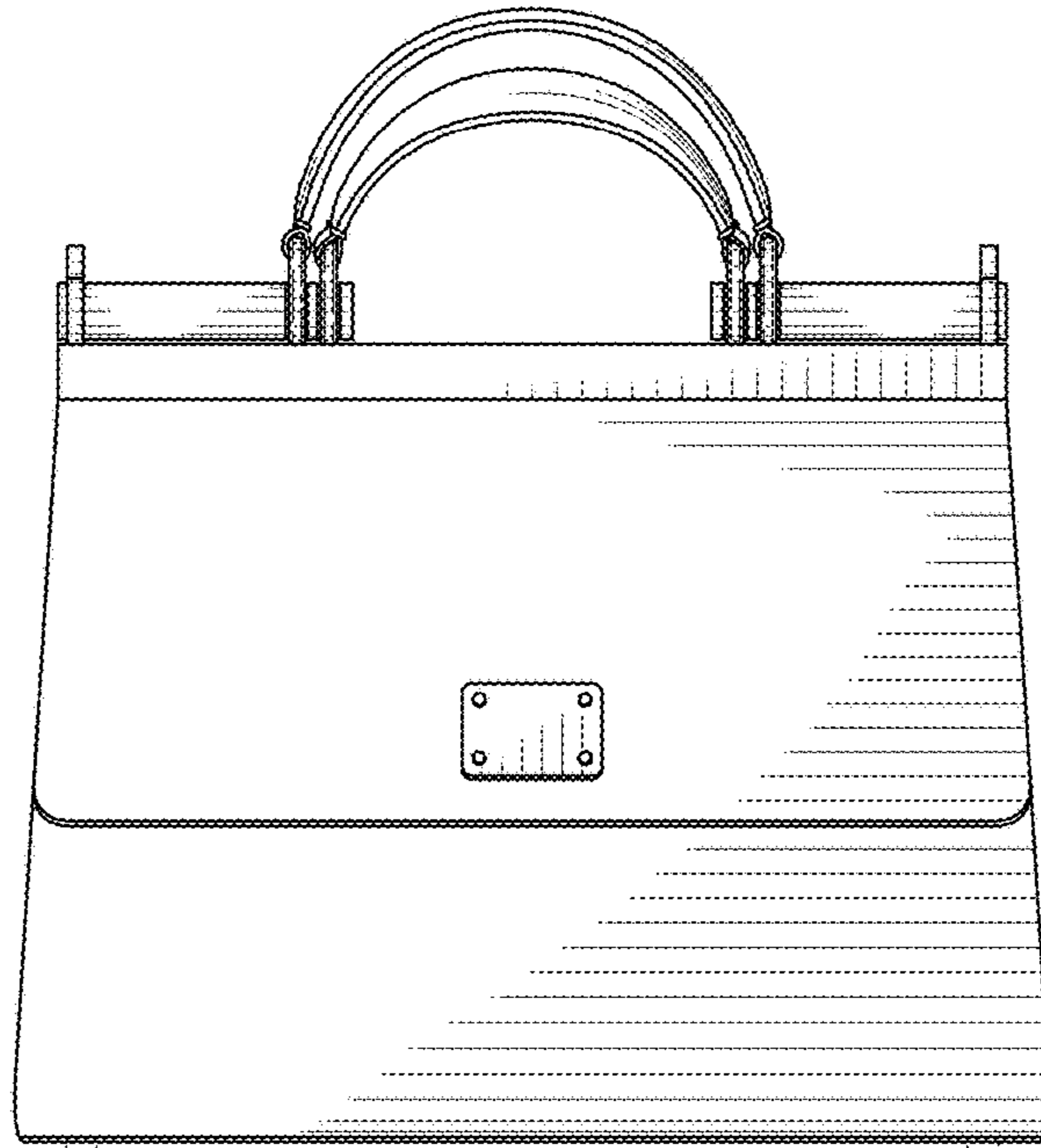


FIG. 2

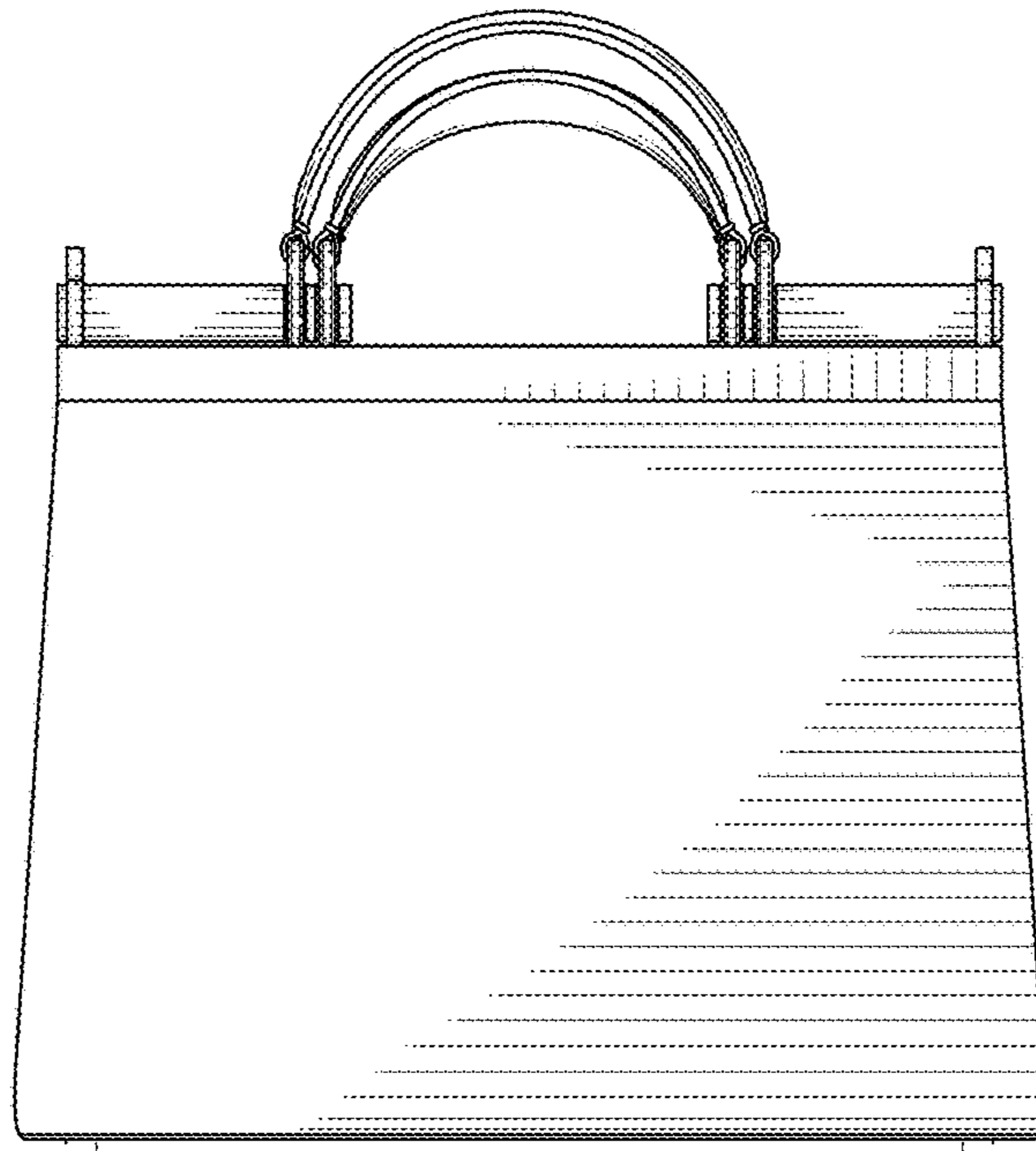


FIG. 3

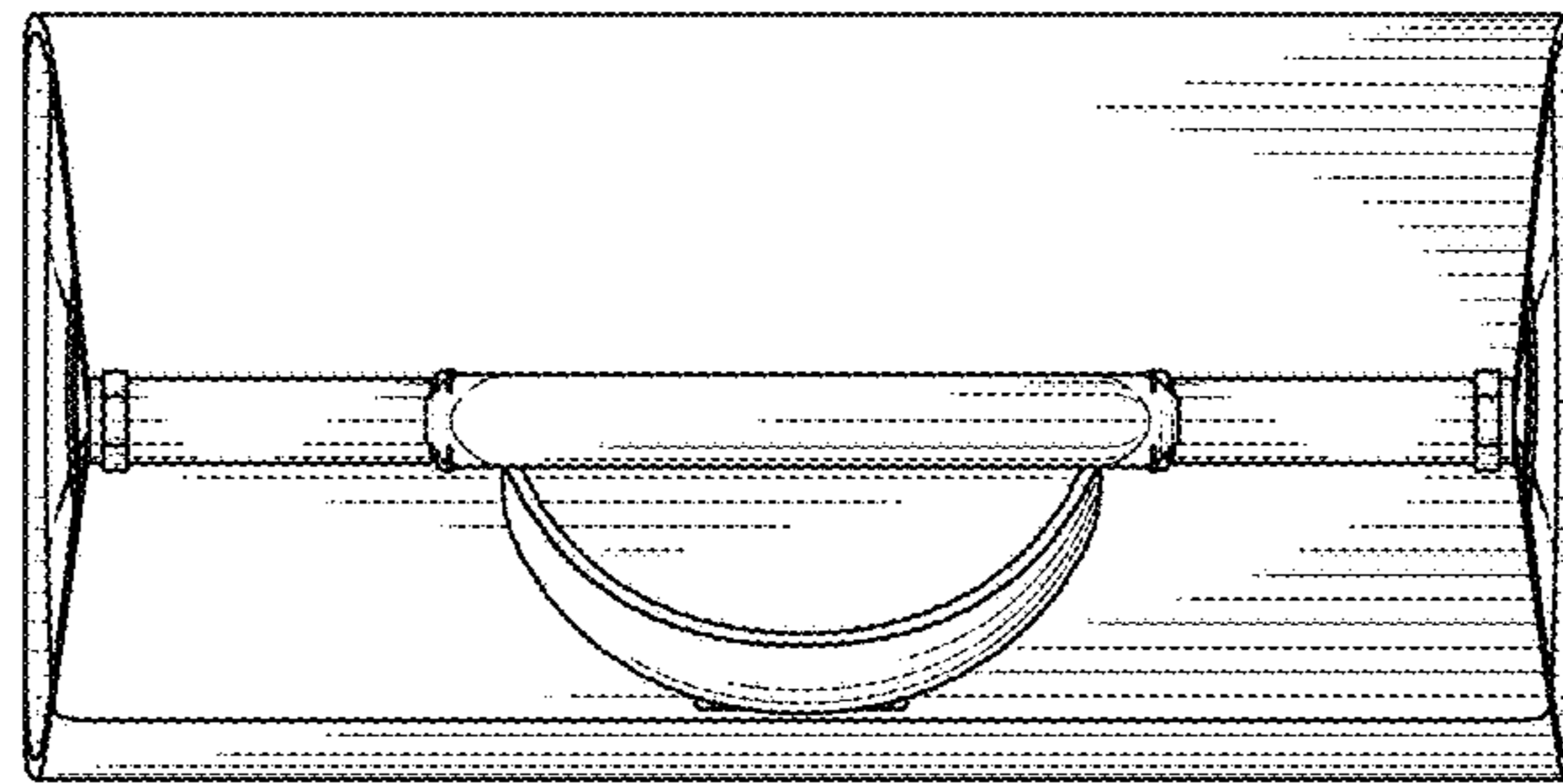


FIG. 4

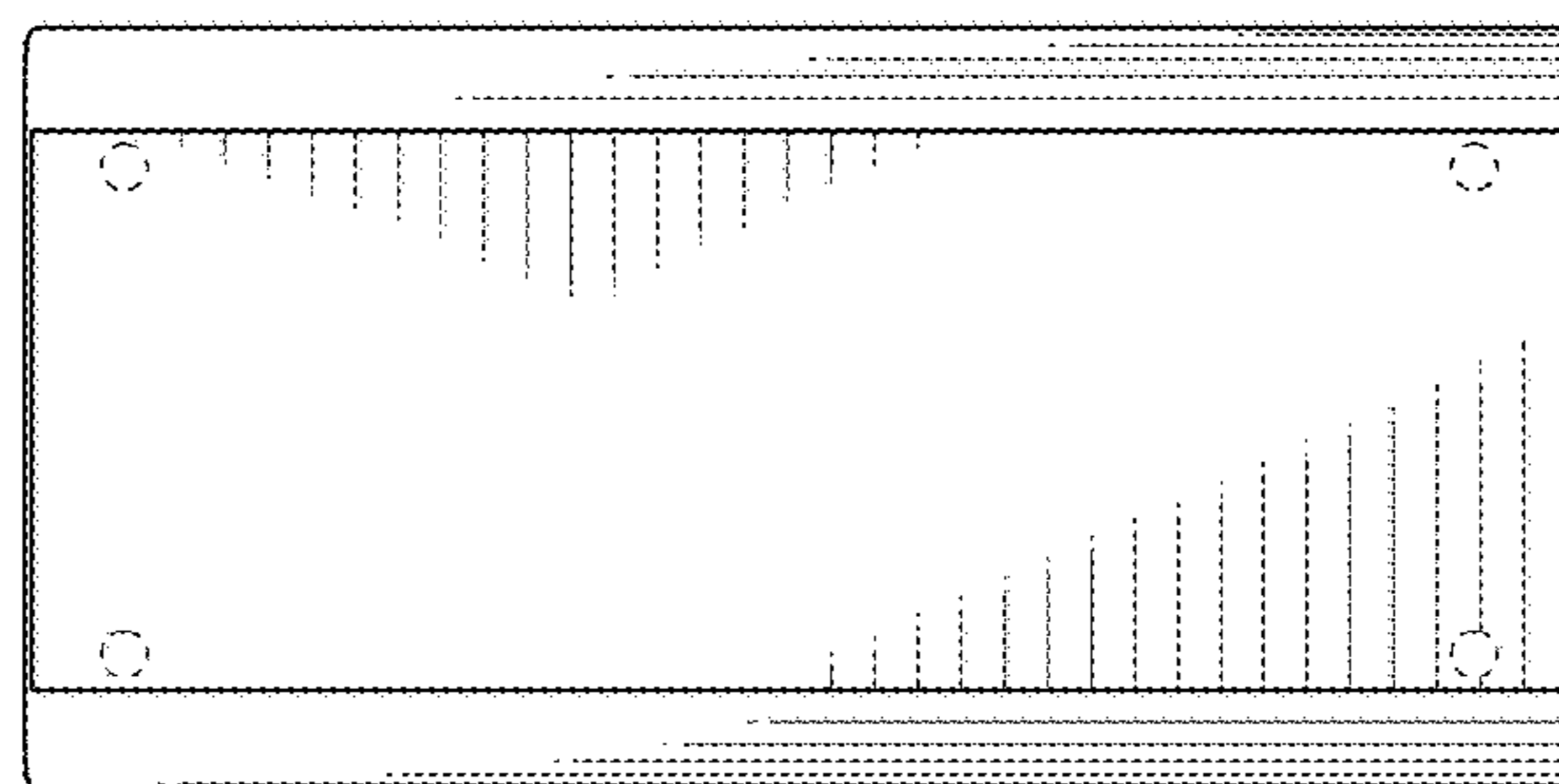


FIG. 5

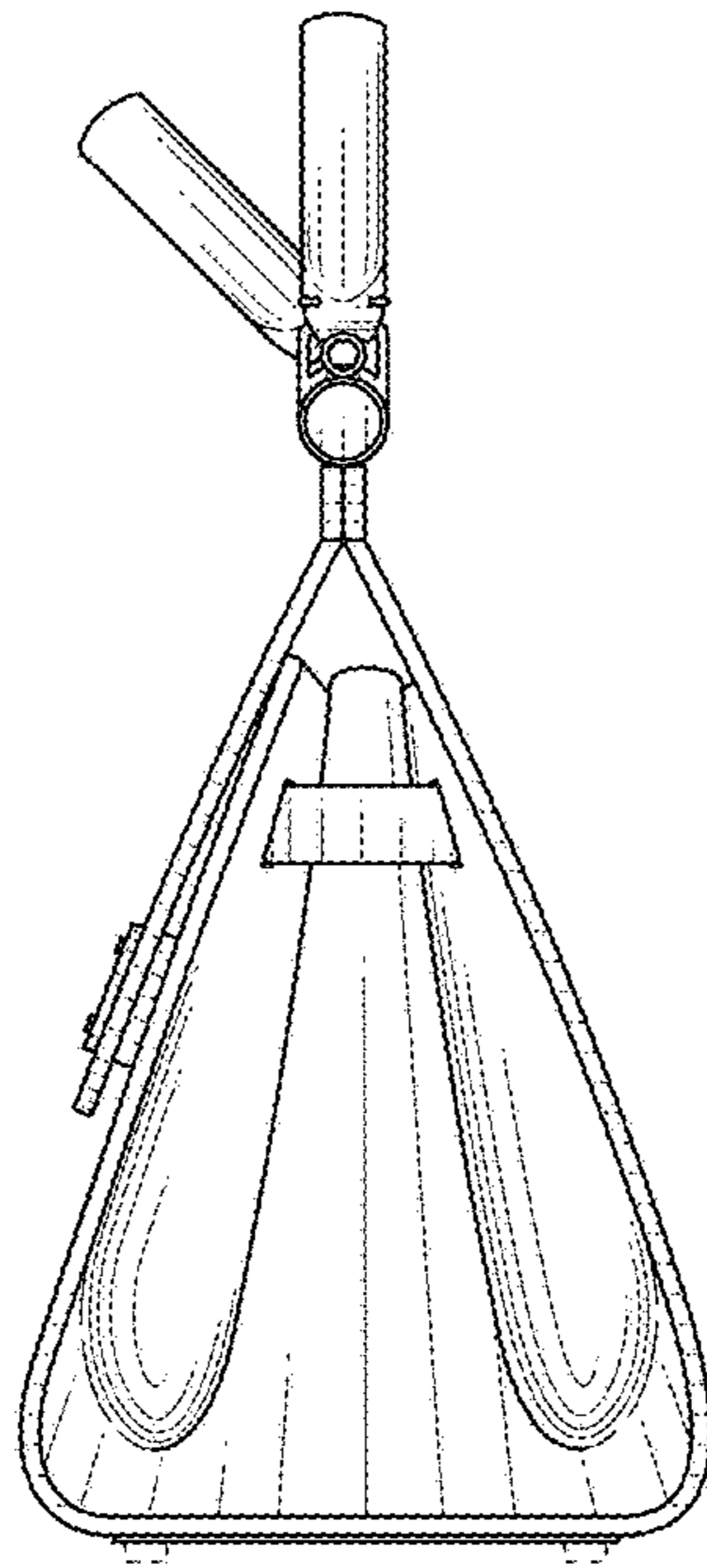


FIG. 6

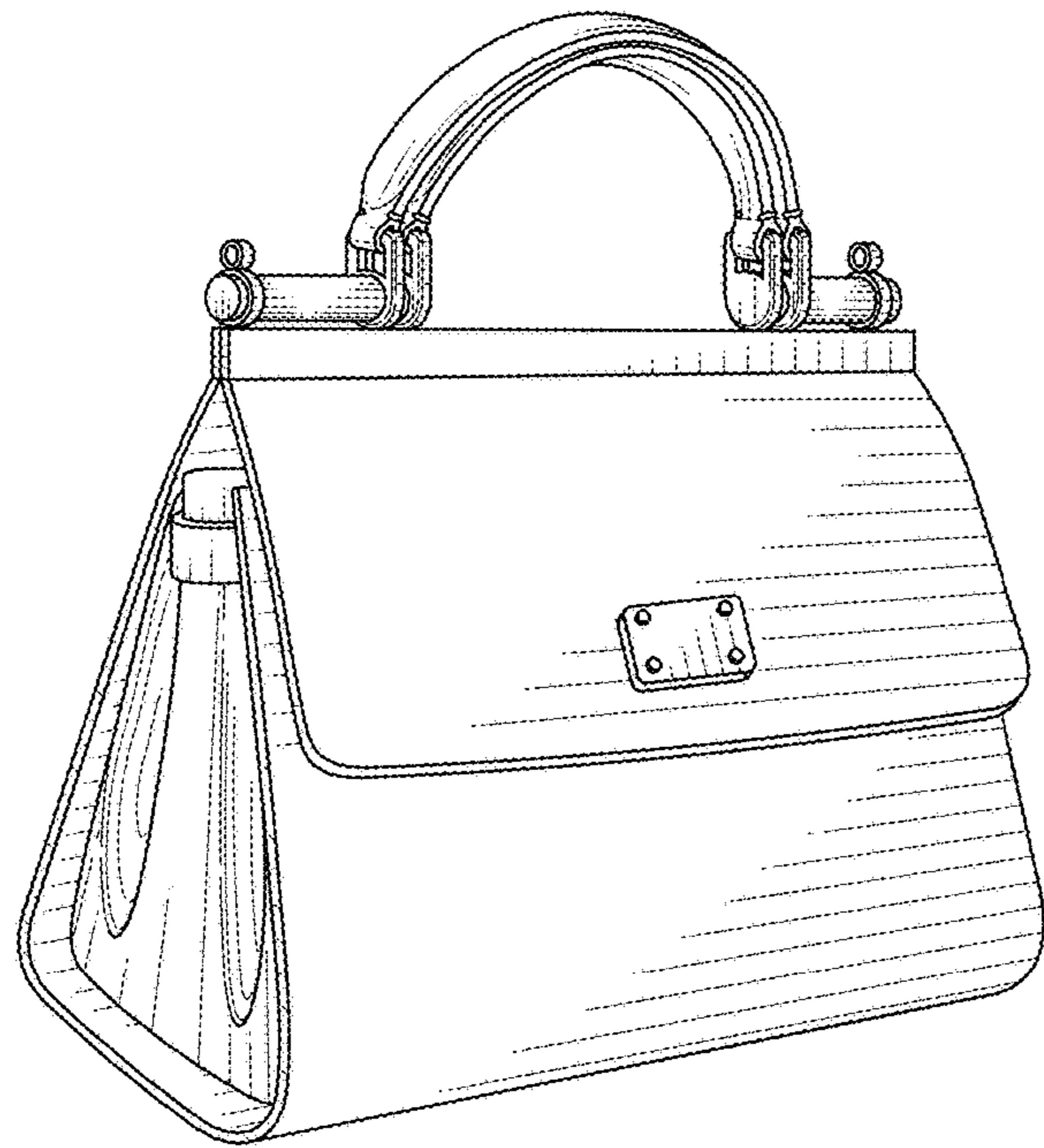


FIG. 7

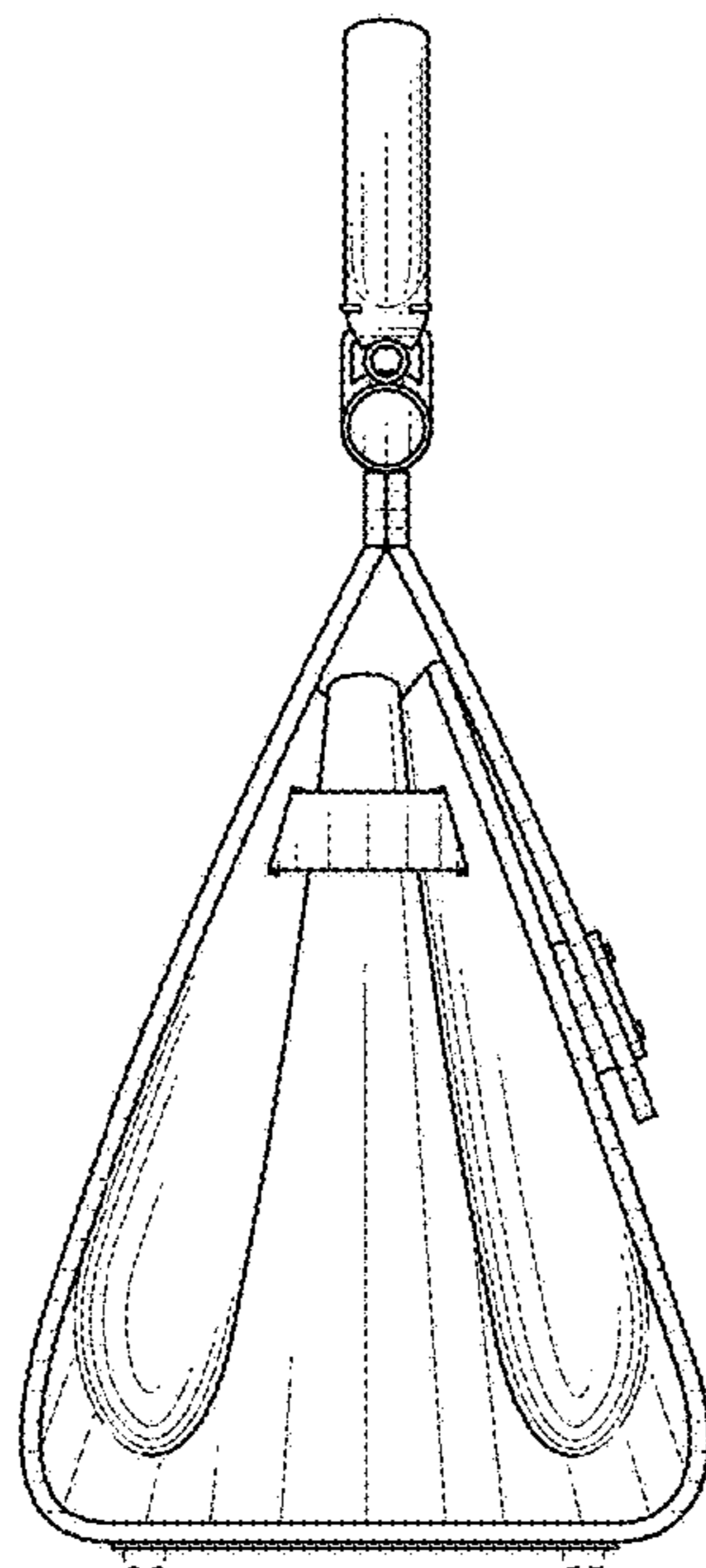


FIG. 8

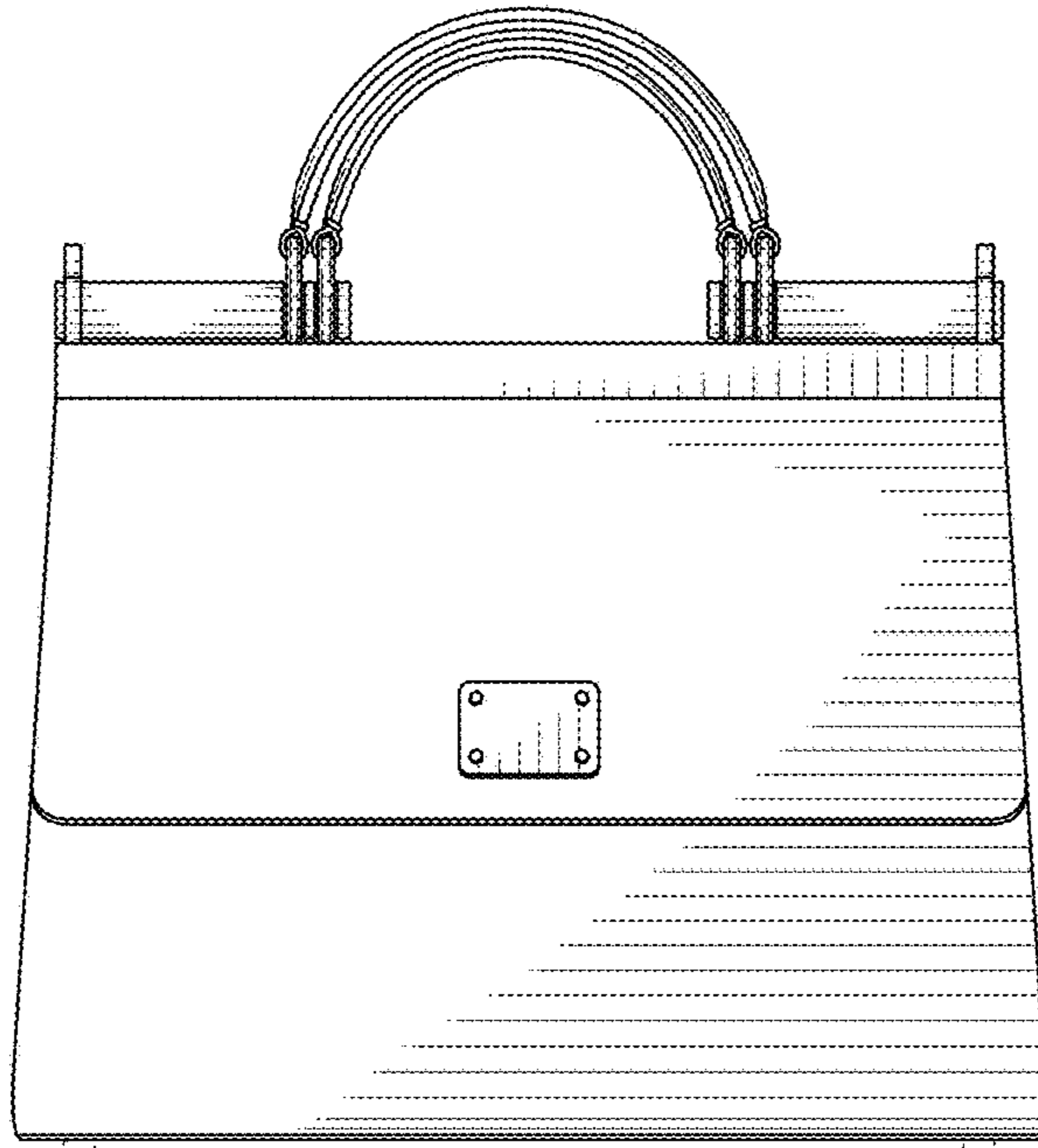


FIG. 9

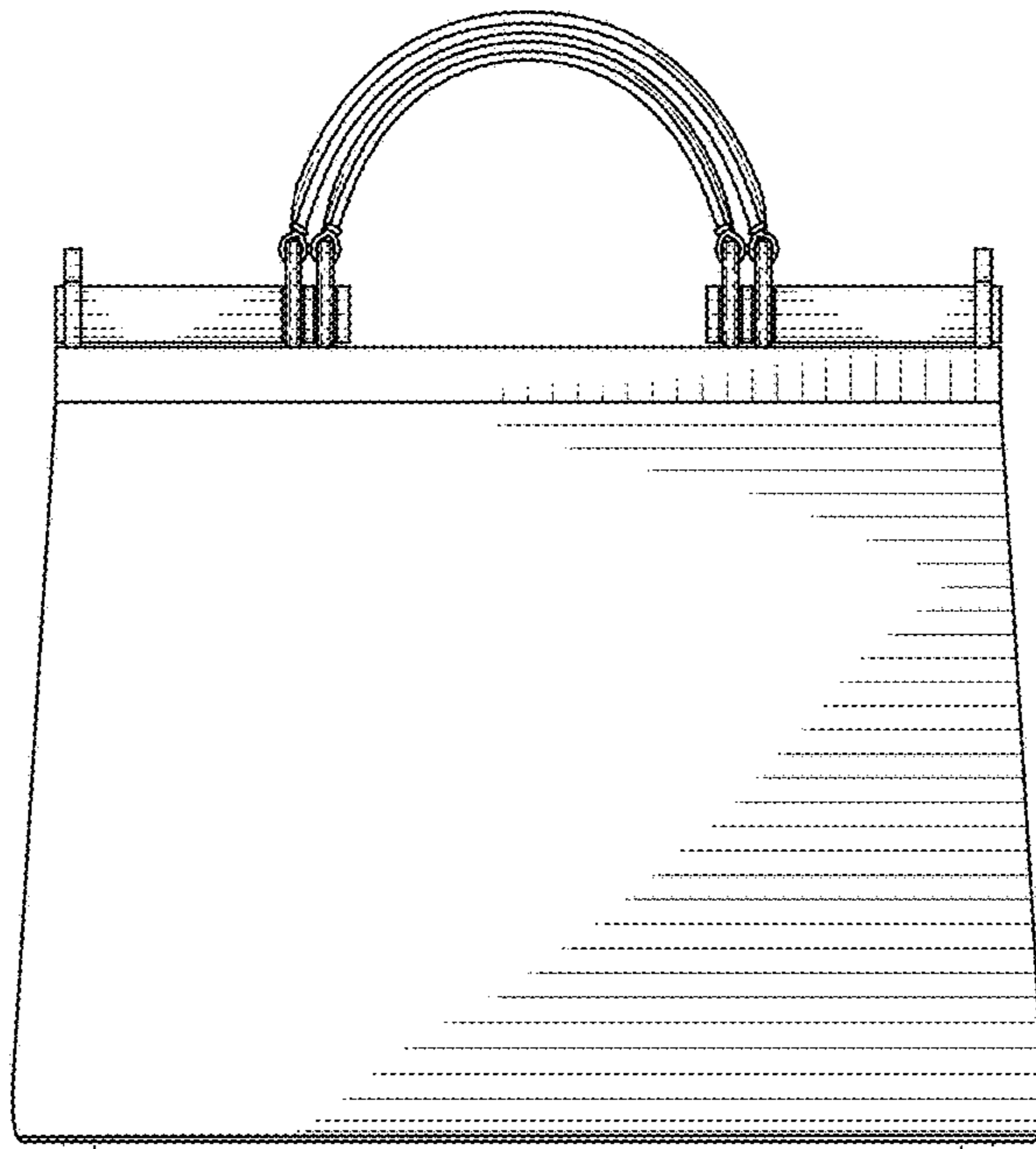


FIG. 10