

US00D860642S

(12) **United States Design Patent**
Dara

(10) **Patent No.:** **US D860,642 S**

(45) **Date of Patent:** **** Sep. 24, 2019**

(54) **HOLSTER DROP OFFSET**

(71) Applicant: **Jonathan Dara**, Wendell, NC (US)

(72) Inventor: **Jonathan Dara**, Wendell, NC (US)

(**) Term: **15 Years**

(21) Appl. No.: **29/648,812**

(22) Filed: **May 24, 2018**

(51) **LOC (12) Cl.** **03-01**

(52) **U.S. Cl.**
USPC **D3/222**

(58) **Field of Classification Search**

USPC D3/222-223, 215, 228; 224/191-193,
224/197-198, 238, 243-244, 272,
224/676-679, 661, 911-912; 248/118.3,
248/222.51, 311.2, 689
CPC A45F 5/00; A45F 5/02; F41C 33/02; F41C
33/022; F41C 33/0227; F41C 33/045
See application file for complete search history.

(56) **References Cited**

U.S. PATENT DOCUMENTS

6,161,741	A *	12/2000	French	F41C 33/0227
					224/192
D453,068	S *	1/2002	Rogers	D3/222
D592,850	S *	5/2009	Shen	D3/222
D653,848	S *	2/2012	Alstrom	D3/222
D724,314	S *	3/2015	Faifer	D3/222
D747,870	S *	1/2016	McKendrick	F41C 33/045
					D3/222
D828,019	S *	9/2018	Dara	D3/222

OTHER PUBLICATIONS

Chief, Putting First Responders First, 5.11 Tactical Thumb Drive Holster Drop and Offset Kit (Year: 2019).*

* cited by examiner

Primary Examiner — Catherine R Oliver-Garcia

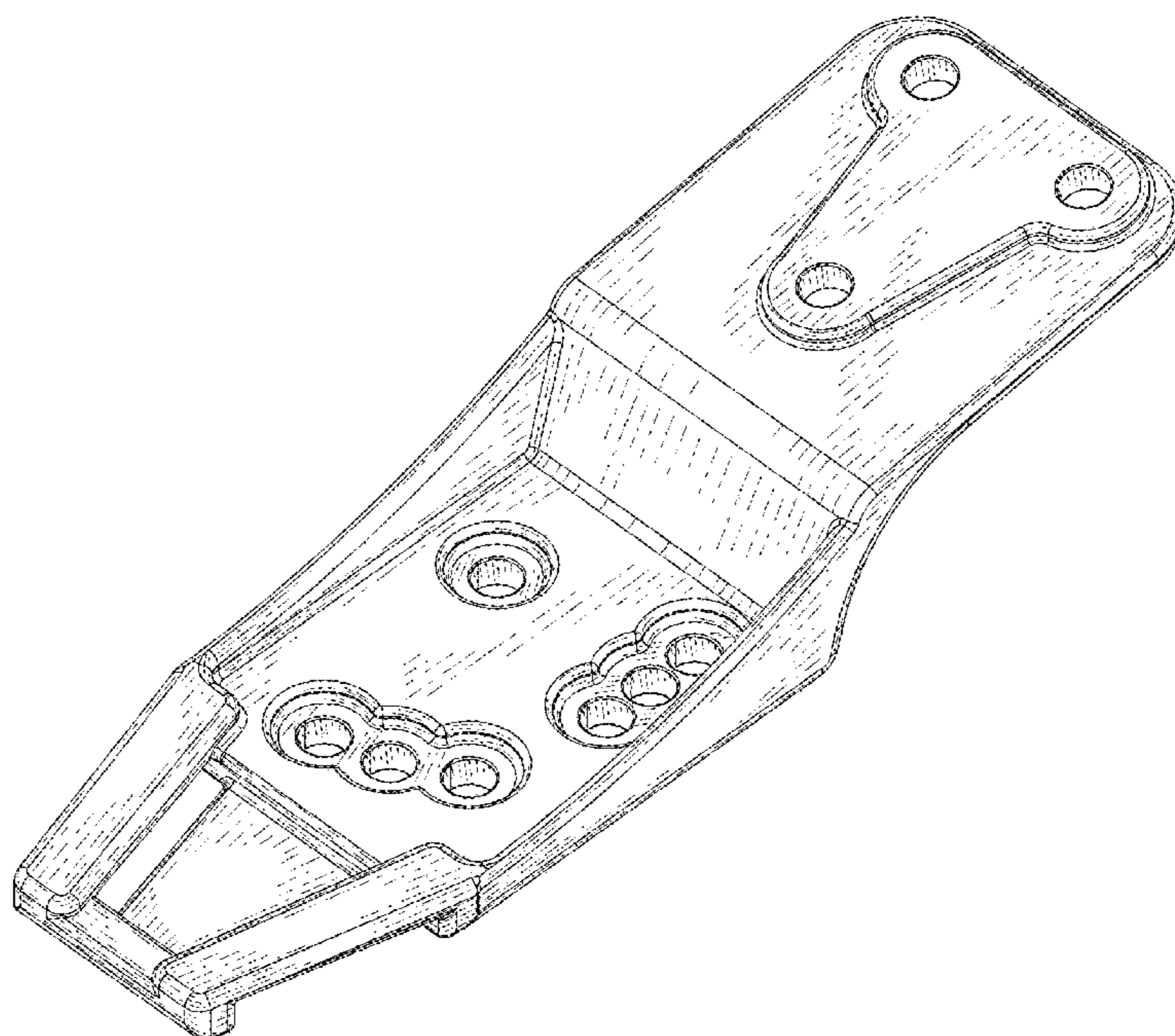
(57) **CLAIM**

The ornamental design for a holster drop offset, as shown and described.

DESCRIPTION

FIG. 1 is a top plan view of a holster drop offset;
FIG. 2 is a bottom plan view thereof;
FIG. 3 is a right side elevational view thereof;
FIG. 4 is a left side elevational view thereof;
FIG. 5 is a front elevational view thereof;
FIG. 6 is a rear elevational view thereof;
FIG. 7 is a front top-right perspective view thereof;
FIG. 8 is a front top-left perspective view thereof.
FIG. 9 is a rear bottom-left perspective view thereof;
FIG. 10 is a front bottom-left perspective view thereof;
FIG. 11 is a rear top-left perspective view thereof;
FIG. 12 is a rear top-right perspective view thereof;
FIG. 13 is a rear bottom-right perspective view thereof; and,
FIG. 14 is a front bottom-right perspective view thereof.

1 Claim, 14 Drawing Sheets



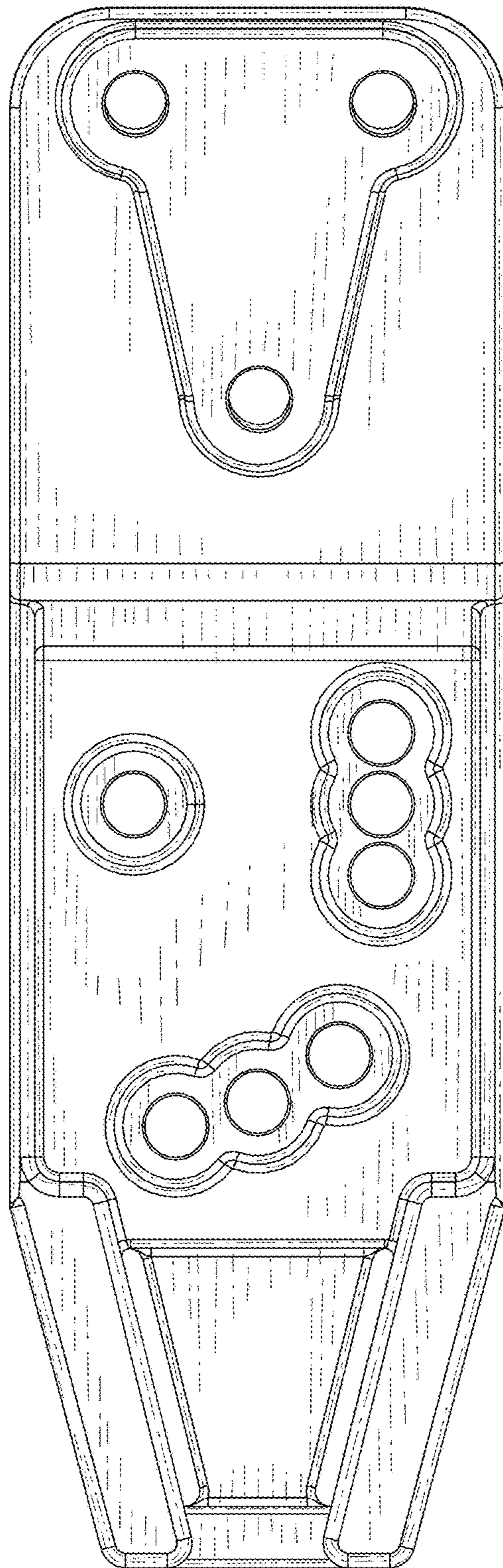


FIG. 1

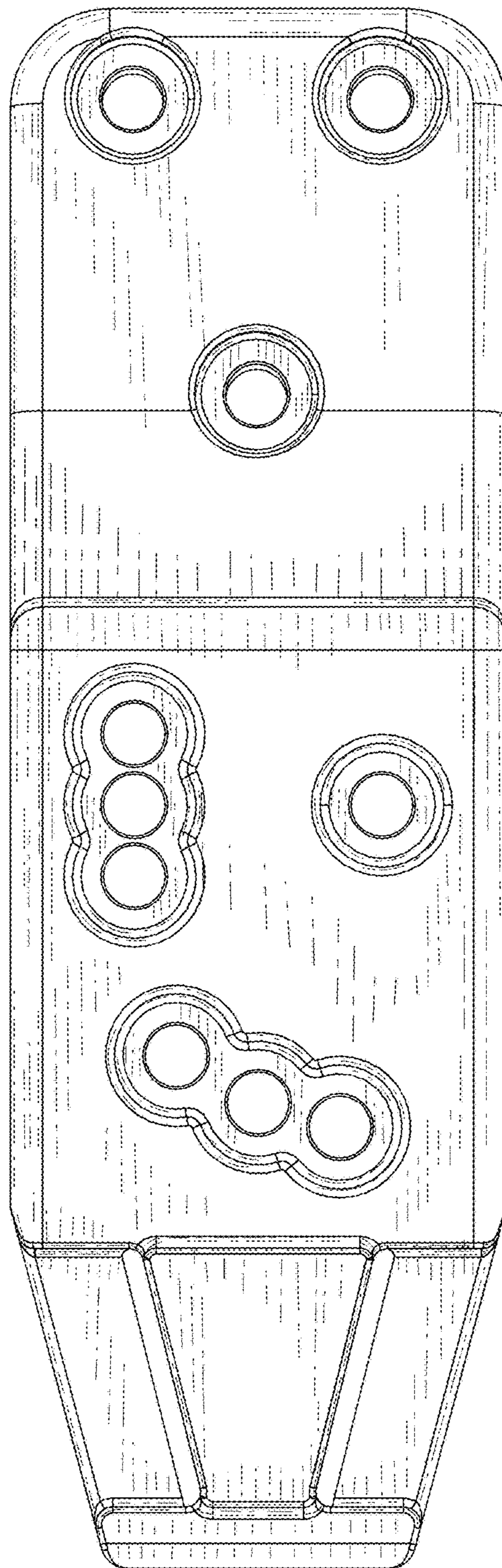


FIG. 2

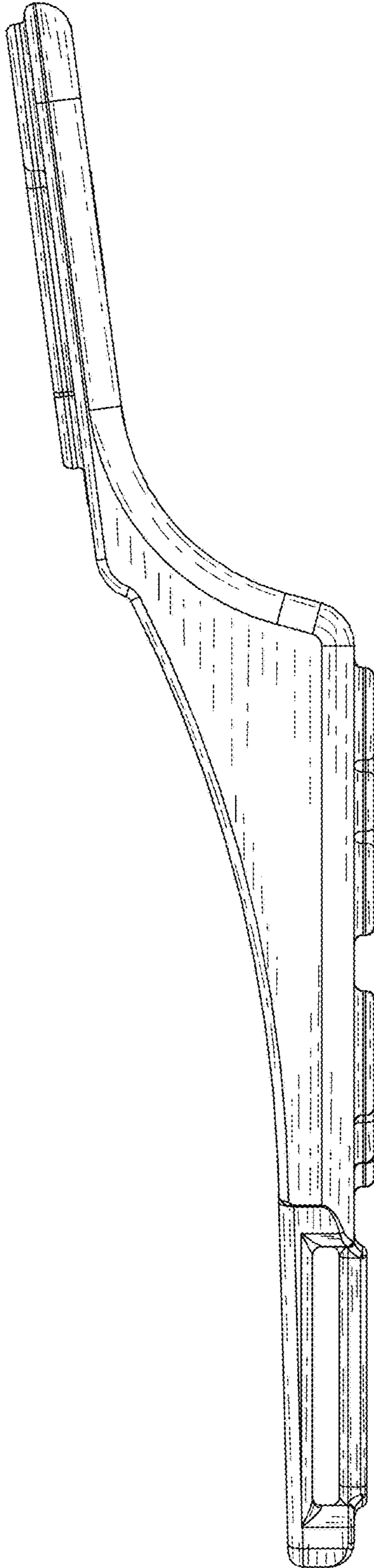


FIG. 3

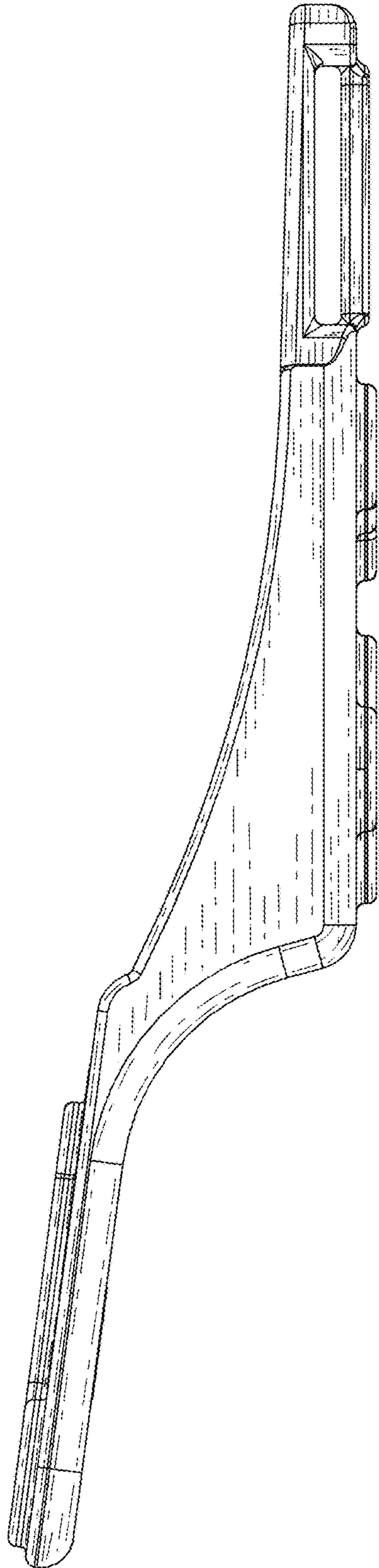


FIG. 4

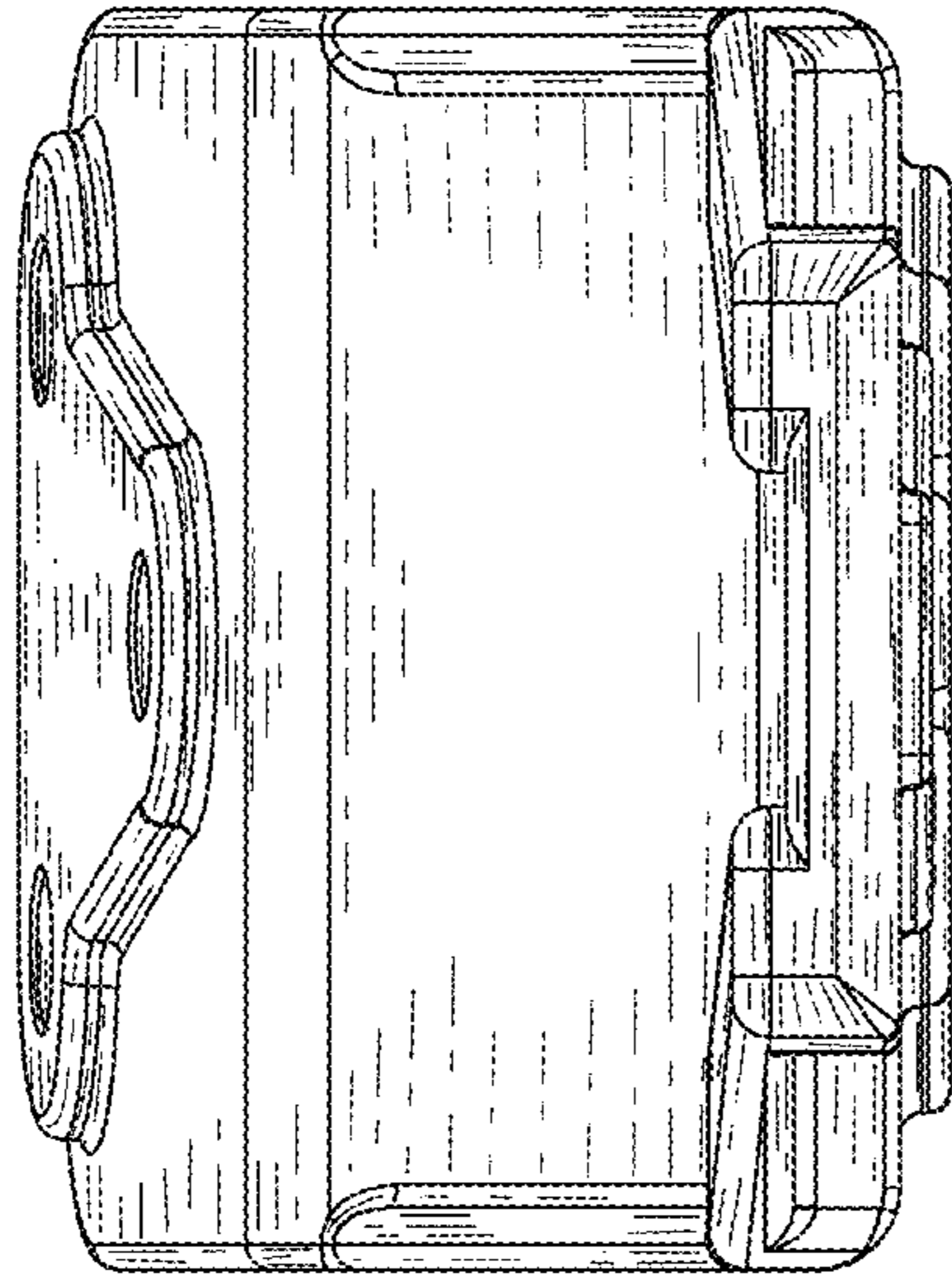


FIG. 5

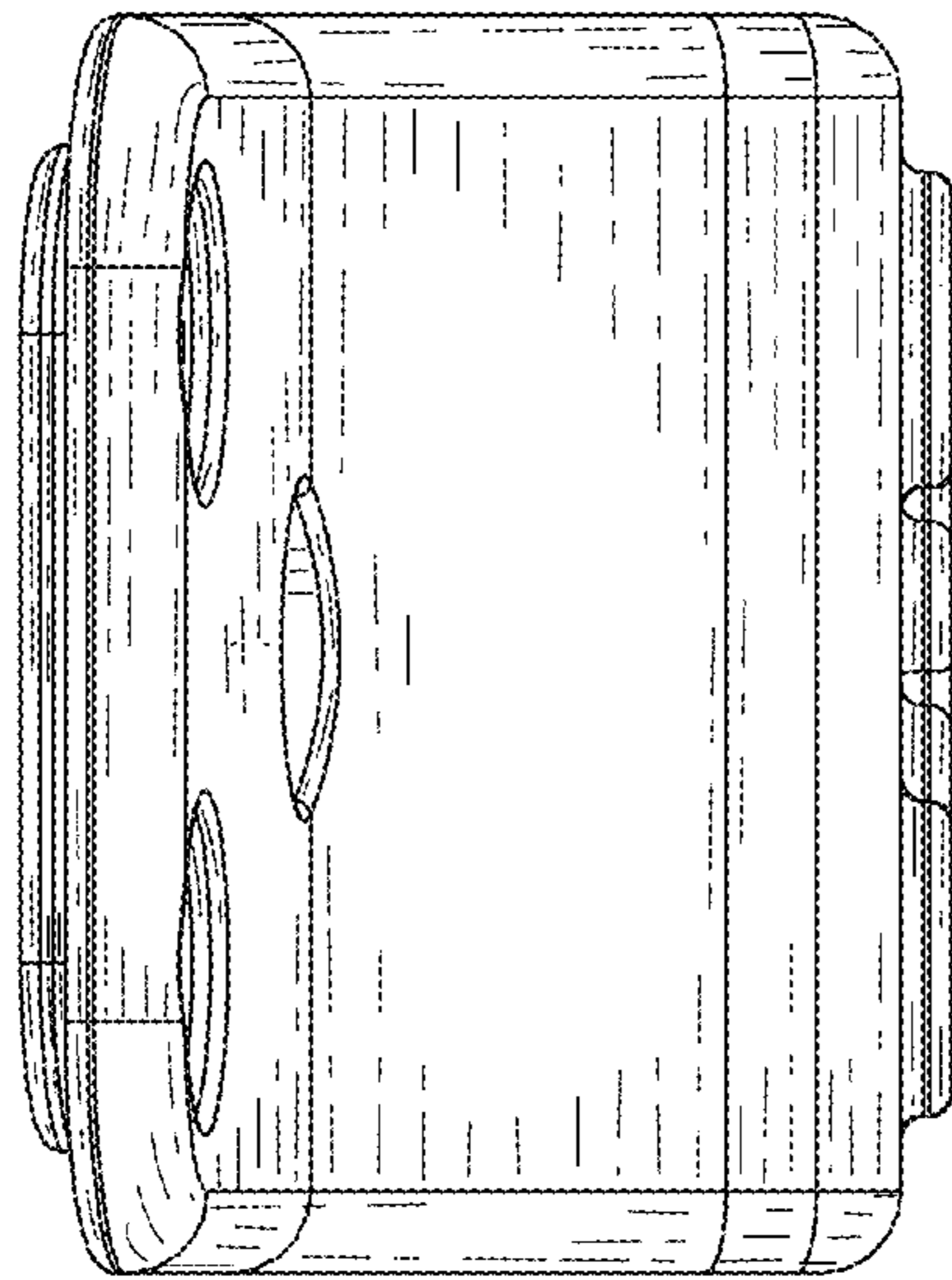


FIG. 6

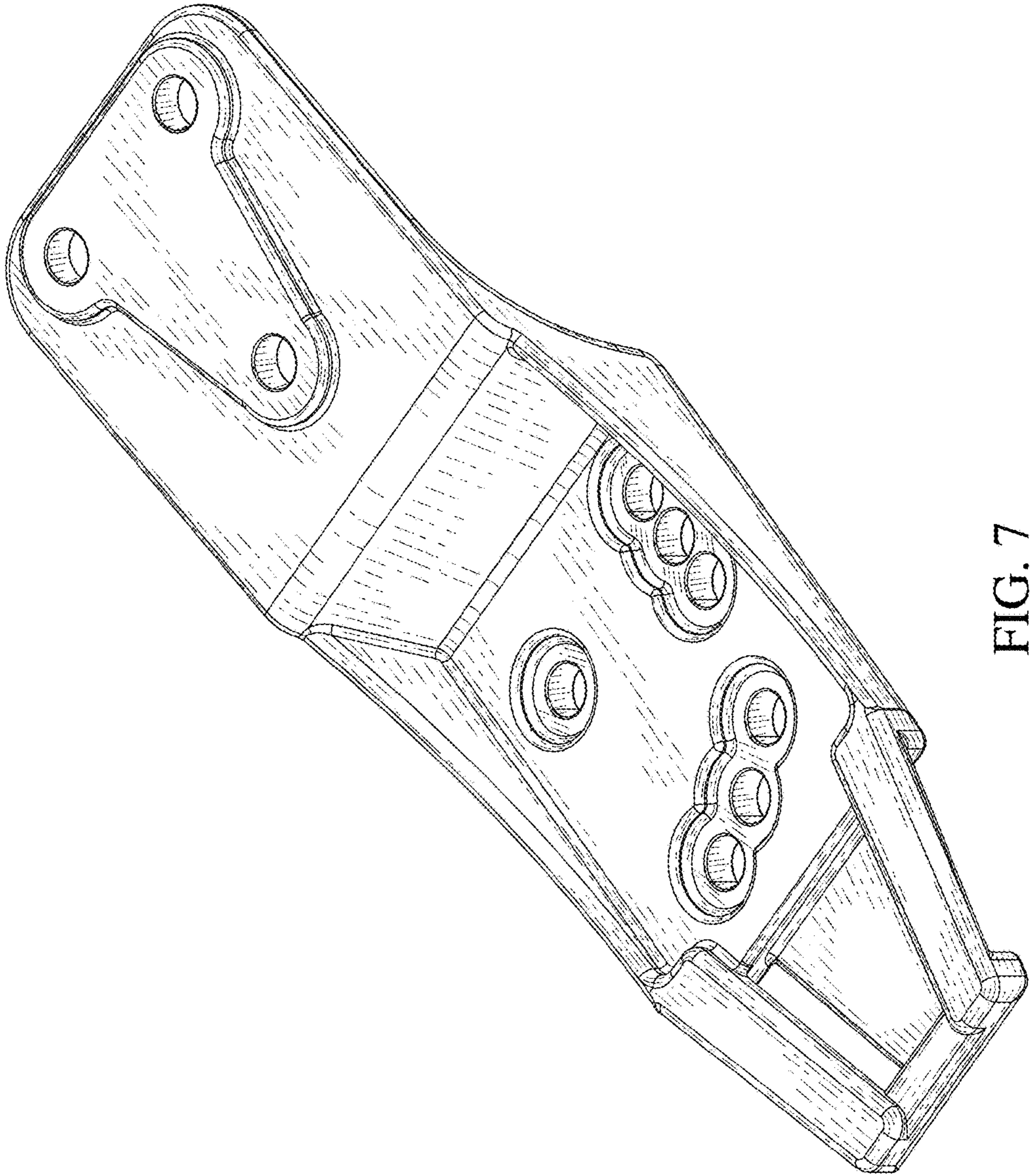


FIG. 7

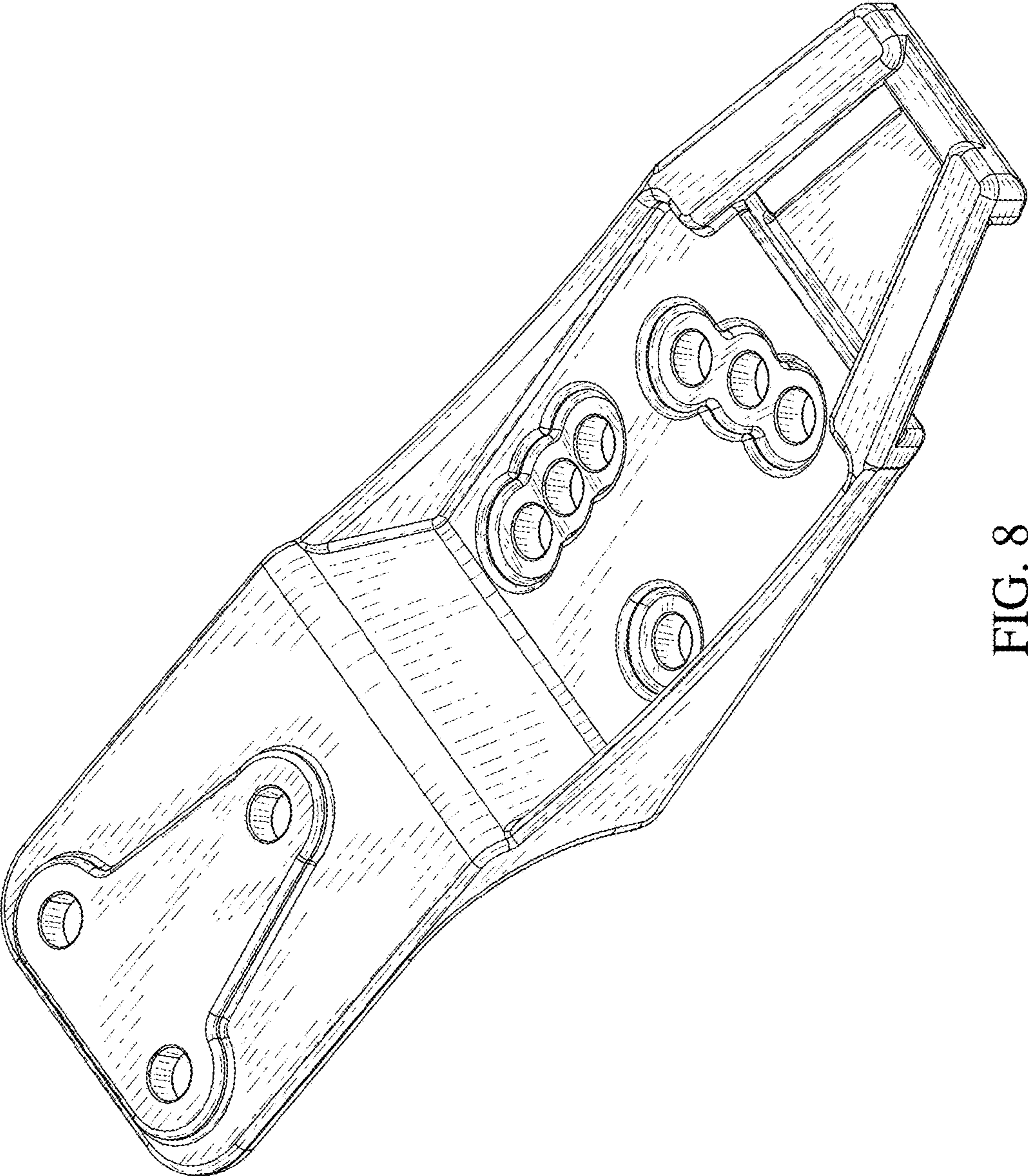


FIG. 8

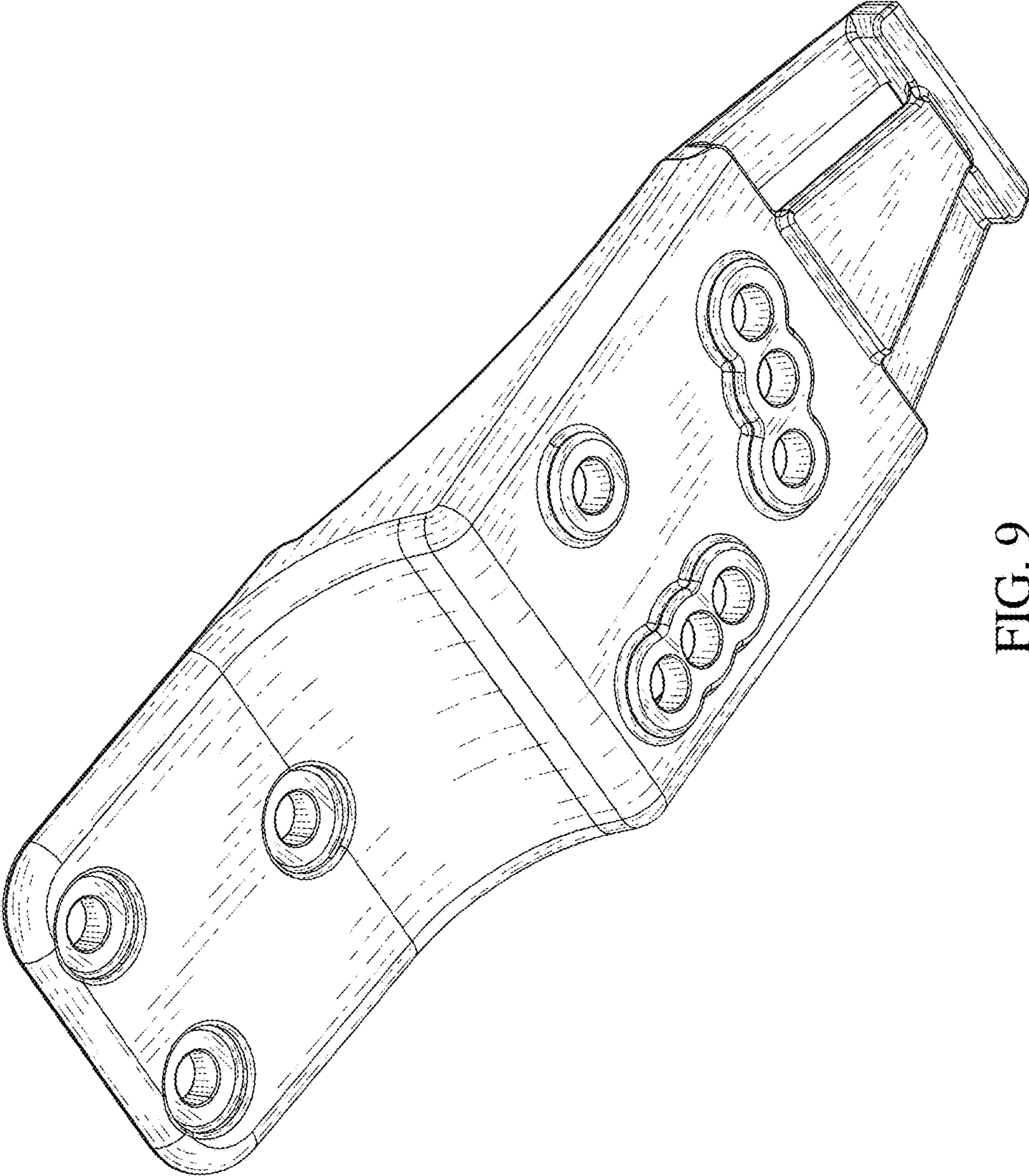


FIG. 9

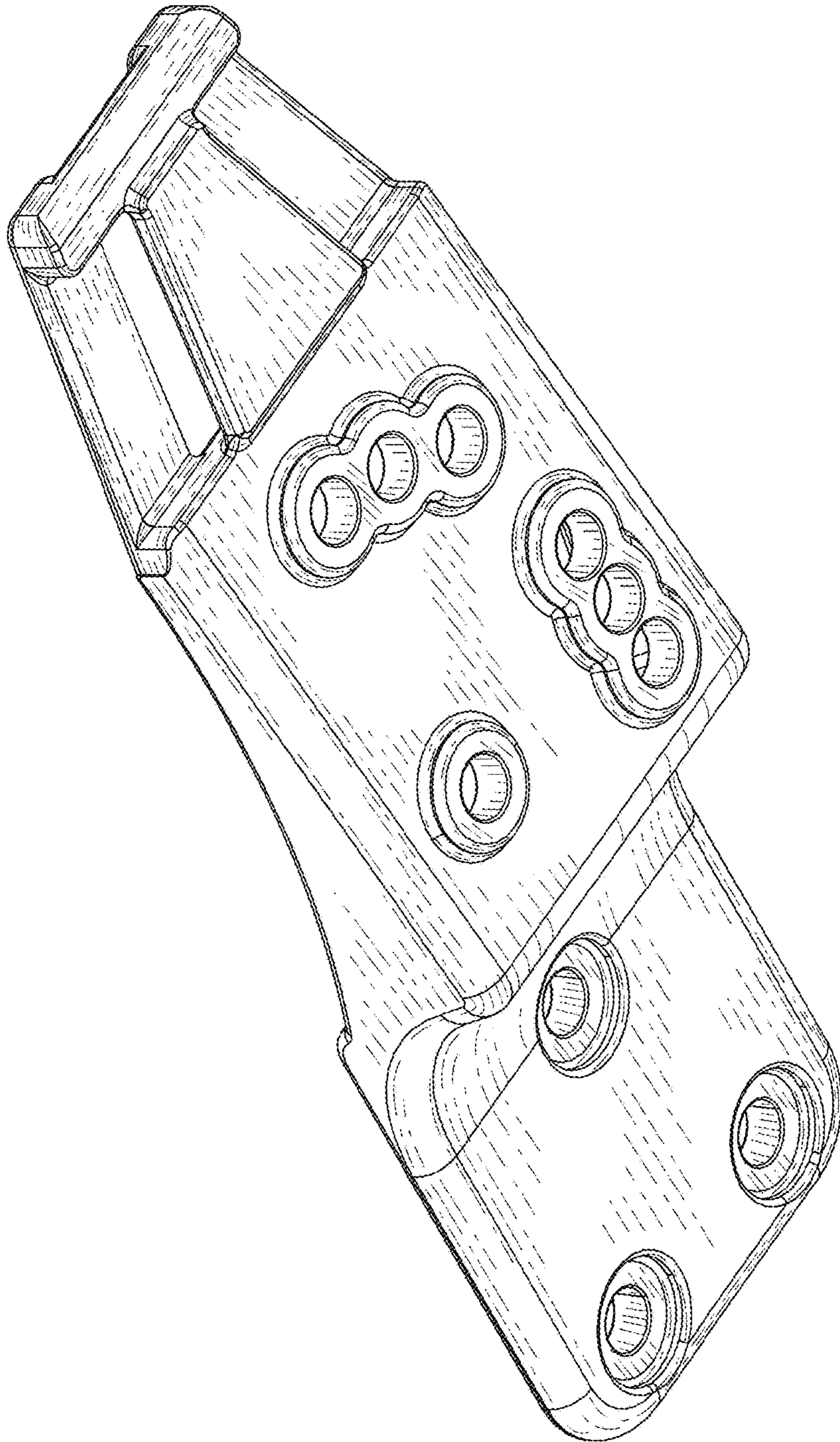


FIG. 10

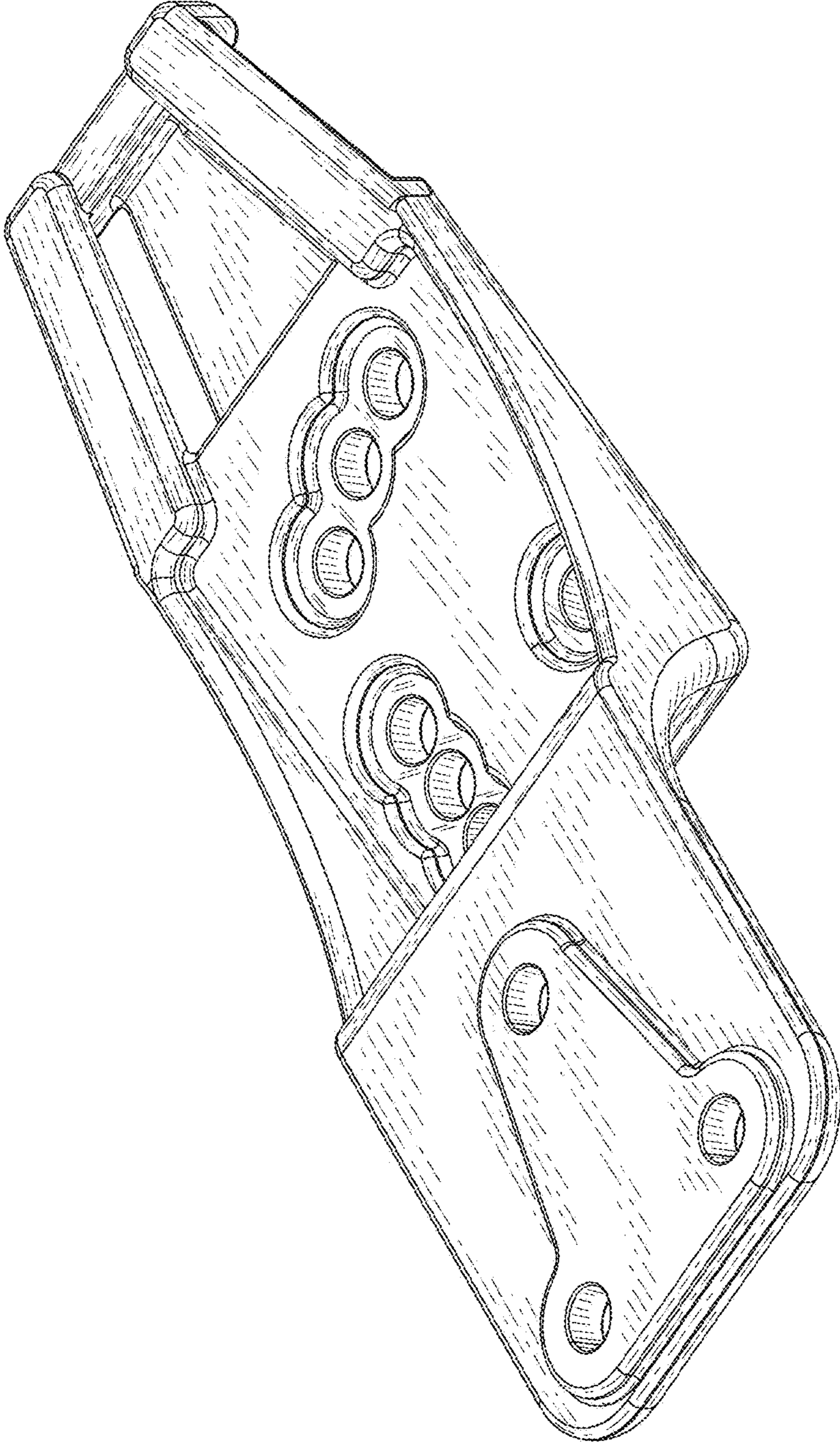


FIG. 11

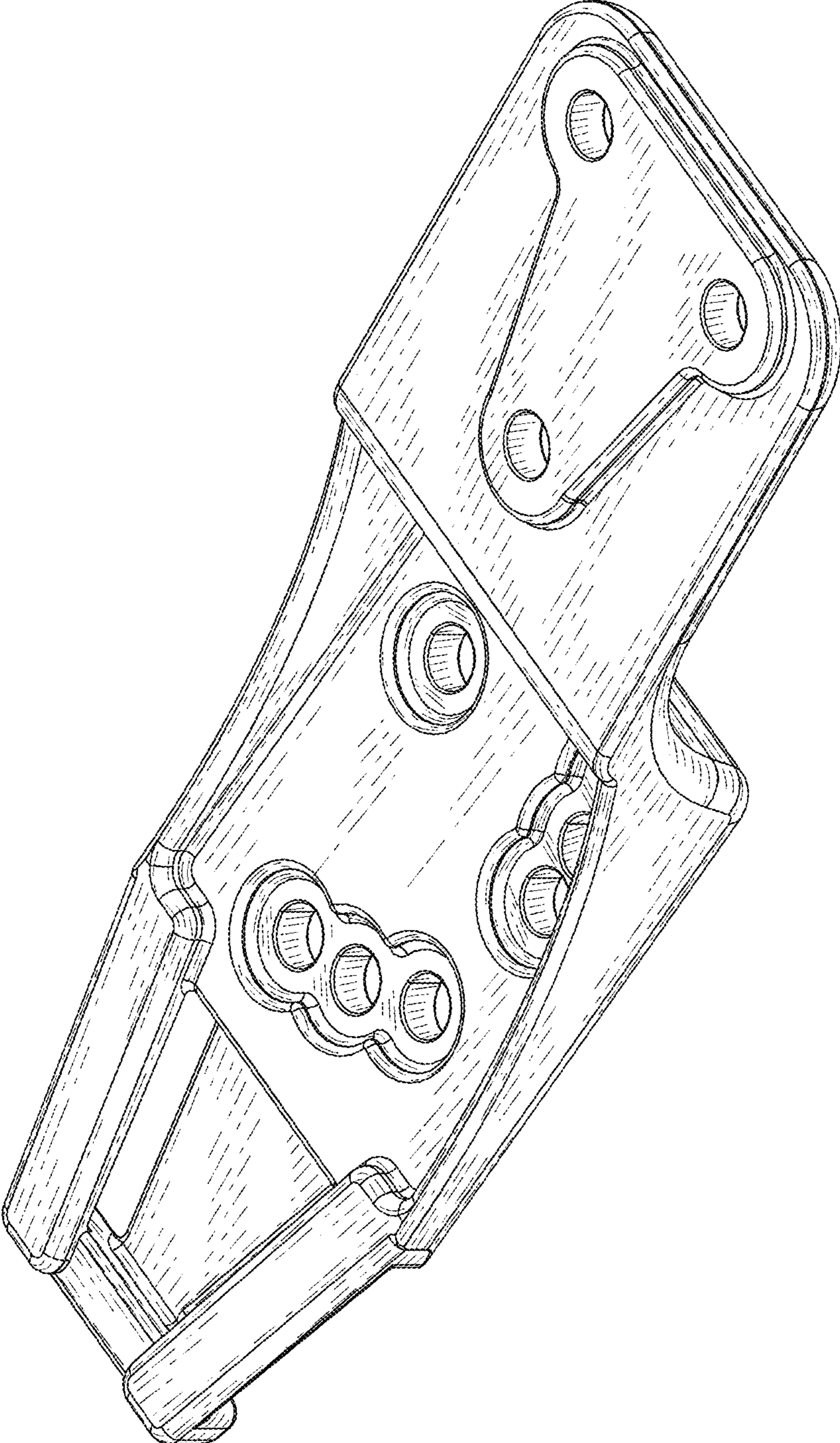


FIG. 12

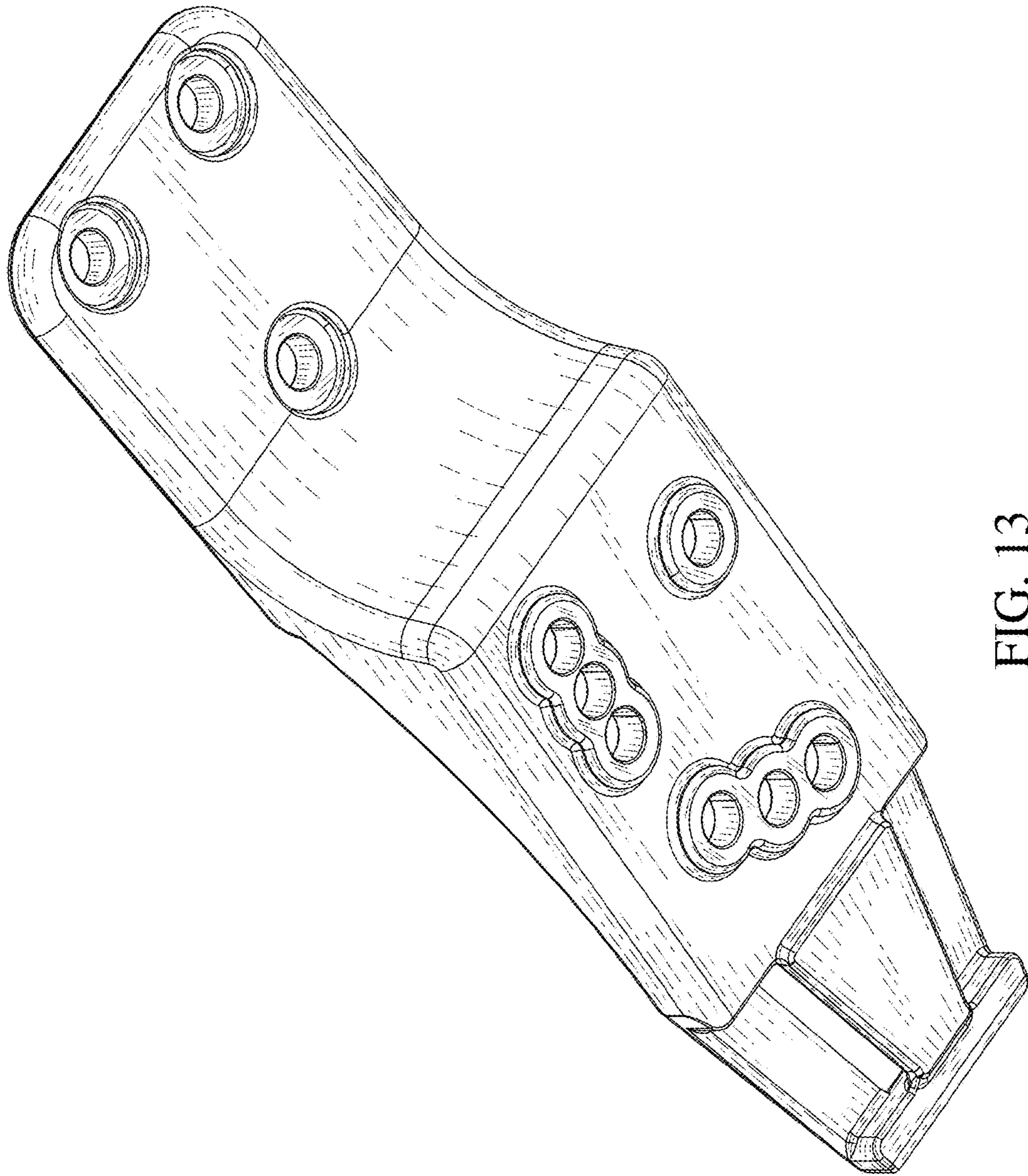


FIG. 13

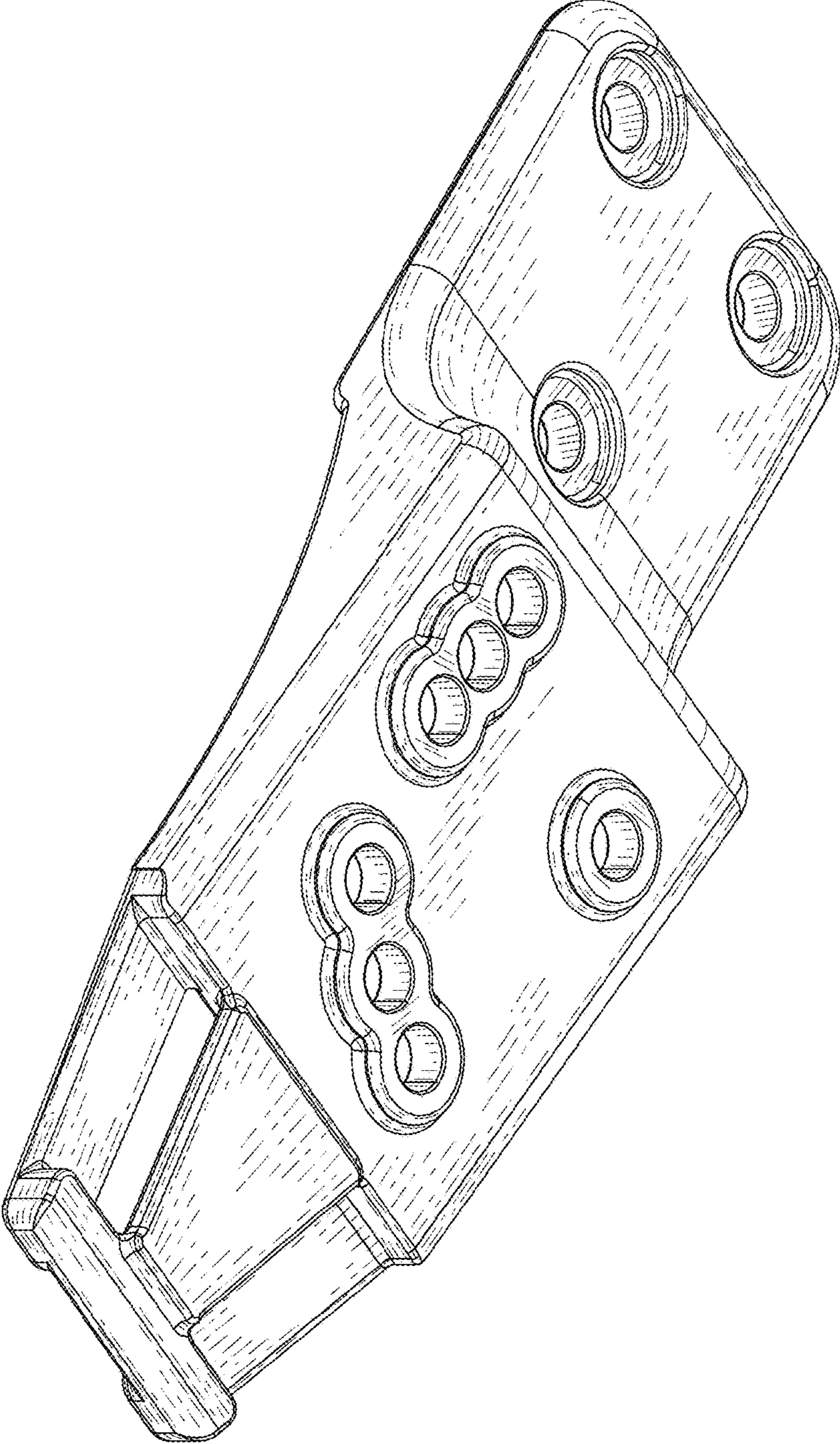


FIG. 14