

US00D860640S

(12) **United States Design Patent**  
**Xu**

(10) **Patent No.:** **US D860,640 S**

(45) **Date of Patent:** **\*\* Sep. 24, 2019**

(54) **UNIVERSAL ROTATABLE PHONE ARMBAND**

D789,076 S \* 6/2017 Pierre ..... D3/218  
D811,729 S \* 3/2018 Bysshe ..... D3/218  
D821,743 S \* 7/2018 Cao ..... D3/218

(71) Applicant: **Yun Xu**, Guangdong (CN)

\* cited by examiner

(72) Inventor: **Yun Xu**, Guangdong (CN)

*Primary Examiner* — Catherine R Oliver-Garcia

(\*\*) Term: **15 Years**

(74) *Attorney, Agent, or Firm* — KA Filing LLC; Wayne V. Harper

(21) Appl. No.: **29/641,573**

(22) Filed: **Mar. 22, 2018**

(51) **LOC (12) Cl.** ..... **03-01**

(52) **U.S. Cl.**  
USPC ..... **D3/218**

(58) **Field of Classification Search**

USPC ..... D3/218, 215, 219, 269, 303; 224/197,  
224/219, 222, 236, 267, 269, 930, 250,  
224/901.4, 901.6; 206/305, 320;  
455/575.1, 575.8, 575.6; 379/454-455;  
361/679.03; D10/31-32; D11/1, 3-5  
CPC ..... A45F 5/00; A45F 5/02; A45F 2005/008;  
A45F 2200/0516; A45C 1/04; A45C  
13/30

See application file for complete search history.

(56) **References Cited**

U.S. PATENT DOCUMENTS

D655,081 S \* 3/2012 Maravilla ..... D3/218  
D779,193 S \* 2/2017 Jusino ..... D11/3

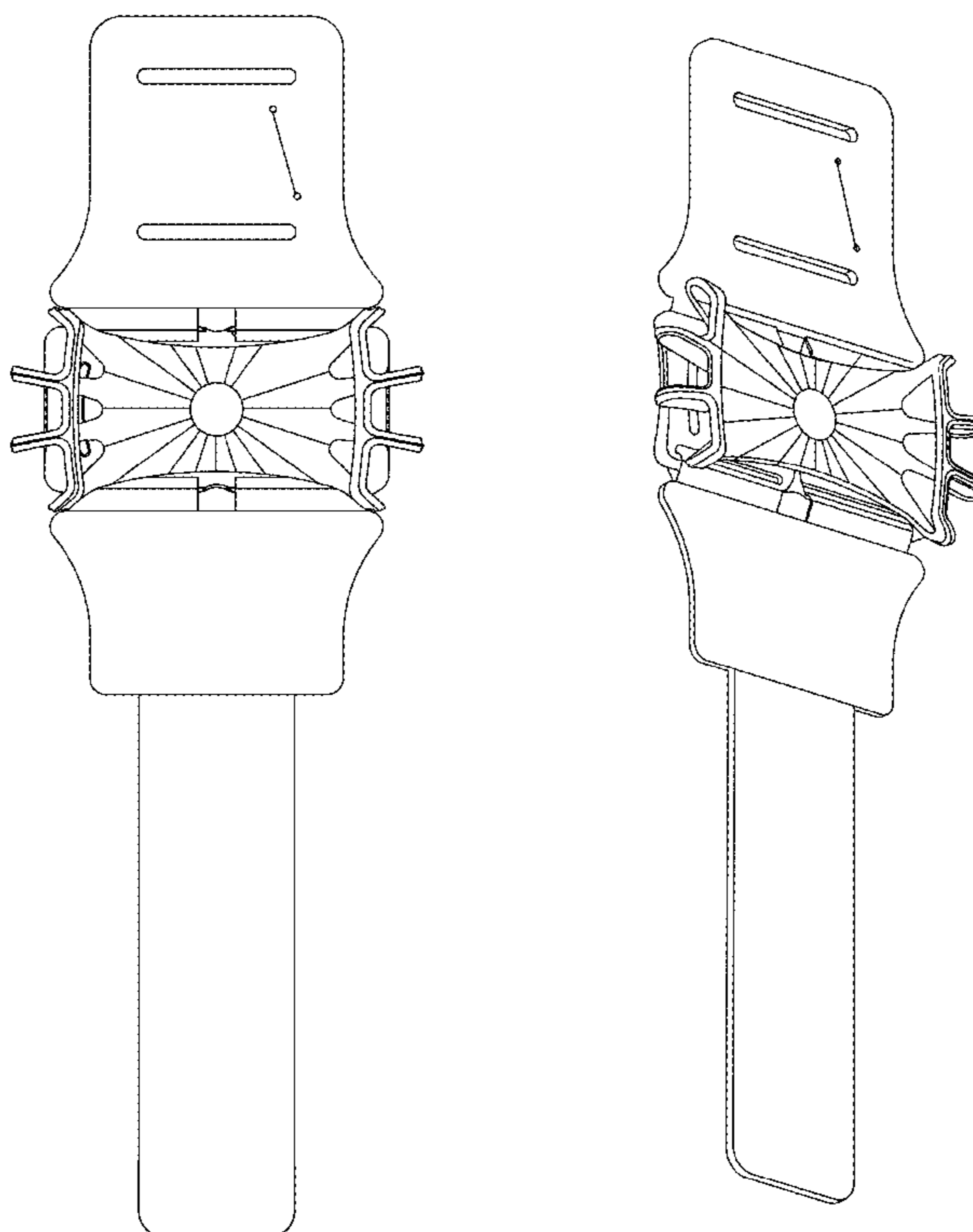
(57) **CLAIM**

The ornamental design for a universal rotatable phone armband, as shown and described.

**DESCRIPTION**

FIG. 1 is a front elevational view of a universal rotatable phone armband showing my new design; FIG. 2 is a rear elevational view thereof; FIG. 3 is a left side view thereof; FIG. 4 is a right side view thereof; FIG. 5 is a top plan view thereof; FIG. 6 is a bottom plan view thereof; FIG. 7 is a bottom, front and left side perspective view thereof; and, FIG. 8 is a bottom, rear and right side perspective view thereof.

**1 Claim, 8 Drawing Sheets**



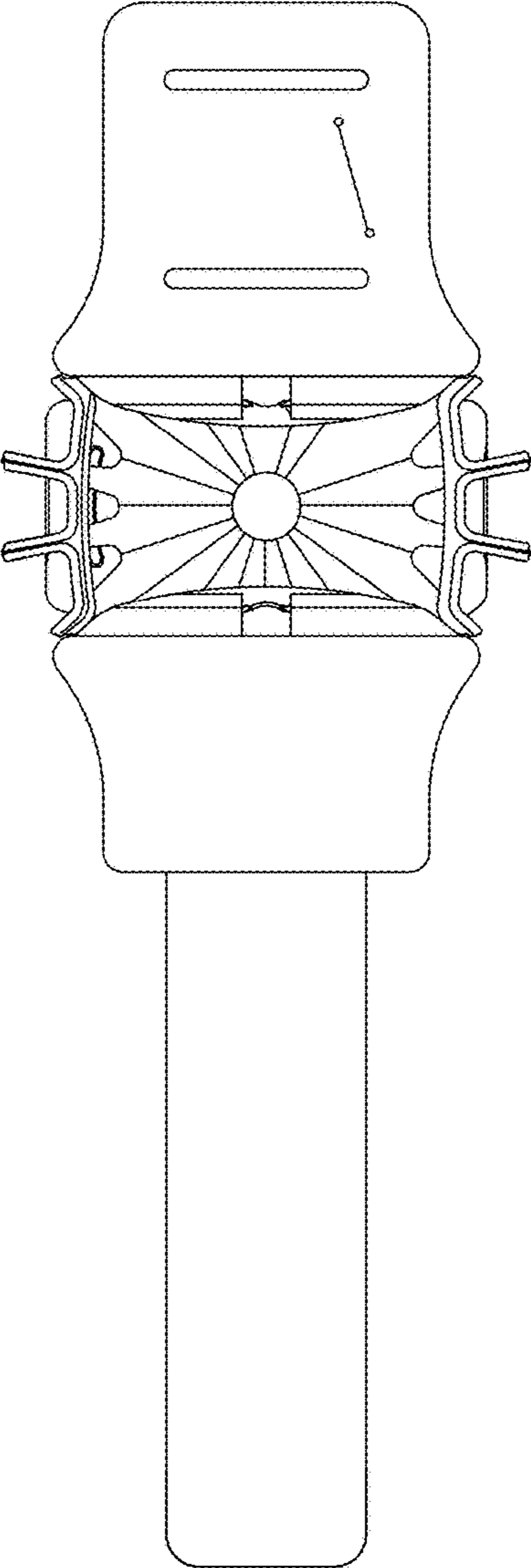


FIG.1

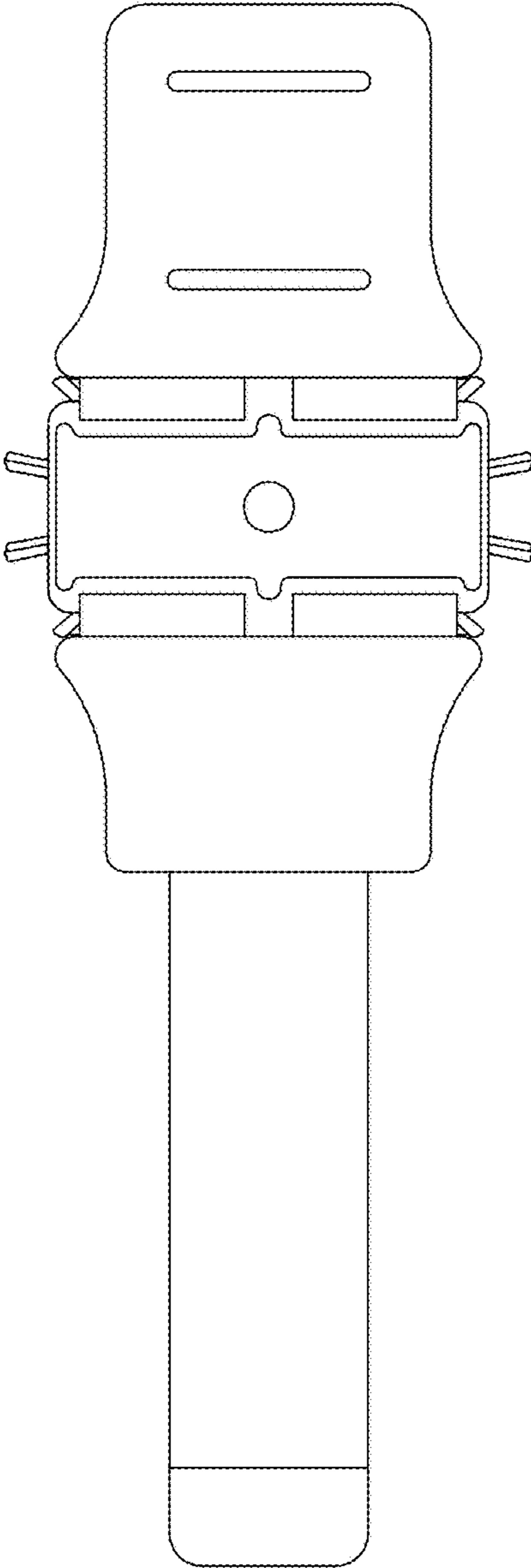


FIG.2

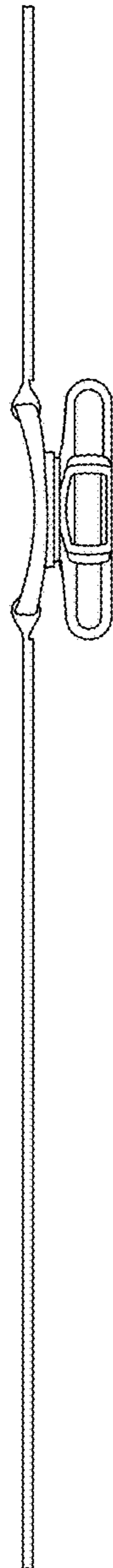


FIG.3



FIG.4

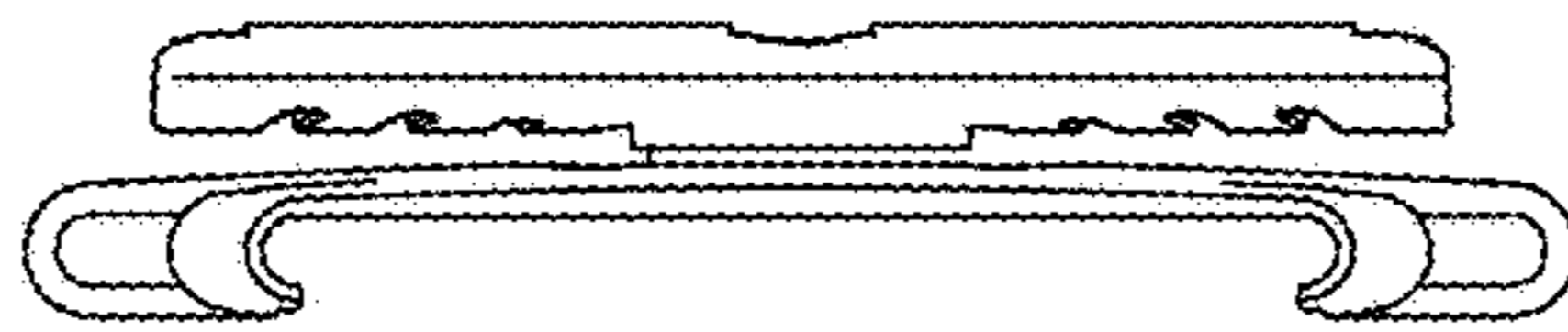


FIG.5



FIG.6

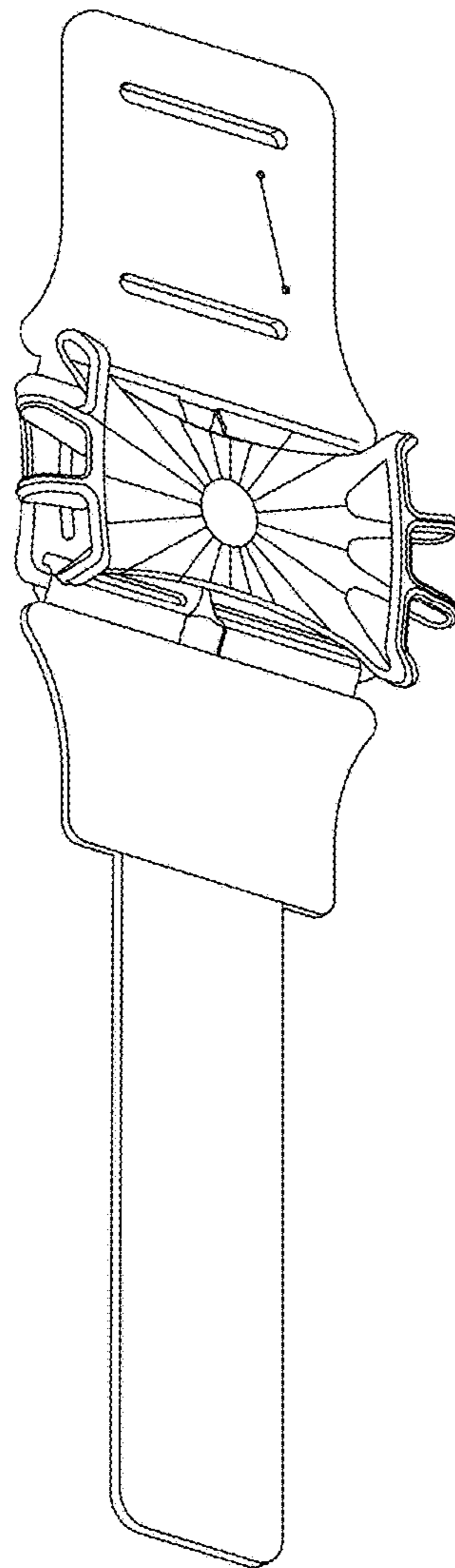


FIG.7



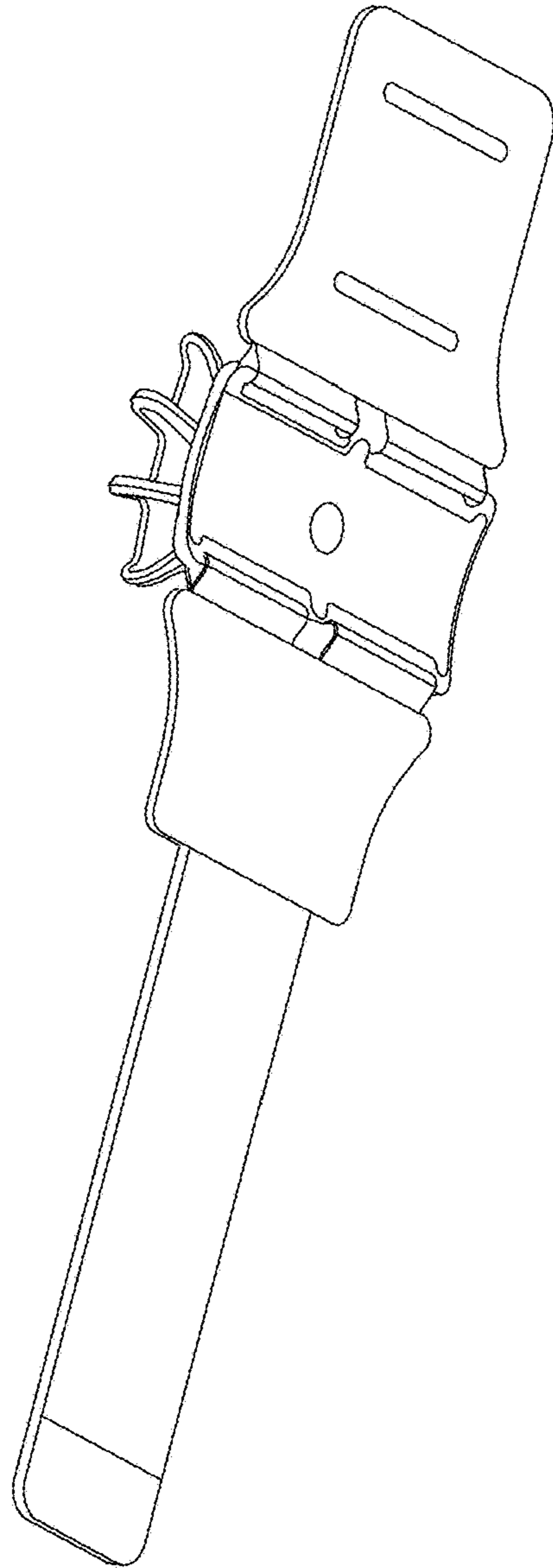


FIG.8