



(12) **United States Design Patent** (10) **Patent No.:** **US D860,638 S**  
**Tunney** (45) **Date of Patent:** **\*\* Sep. 24, 2019**

(54) **TWO-PIECE KEYCHAIN**  
 (71) Applicant: **Curv Brands, LLC**, Elk Grove Village, IL (US)  
 (72) Inventor: **Michael Tunney**, Mount Prospect, IL (US)  
 (73) Assignee: **Curv Brands, LLC**, Elk Grove Village, IL (US)

(\*\*) Term: **15 Years**

(21) Appl. No.: **29/650,181**

(22) Filed: **Jun. 5, 2018**

(51) **LOC (12) Cl.** ..... **03-01**

(52) **U.S. Cl.**  
 USPC ..... **D3/207**

(58) **Field of Classification Search**  
 USPC ..... D3/207-212; D16/100; D26/28;  
 70/456 B, 457, 458, 408, 456 R;  
 (Continued)

(56) **References Cited**

U.S. PATENT DOCUMENTS

D158,306 S \* 4/1950 Modrey ..... D3/207  
 2,772,902 A \* 12/1956 Lind ..... A01K 91/03  
 403/165

(Continued)

OTHER PUBLICATIONS

SE 120SKP-B Pull Apart Key Ring, Amazon.com, Date First Available: Nov. 18, 2005, [online], [site visited Apr. 16, 2019]. URL: <https://www.amazon.com/SE-120SKP-B-Premium-Quality-Plated/dp/B012VOPZAW> (Year: 2005).\*

(Continued)

*Primary Examiner* — T Chase Nelson  
*Assistant Examiner* — Jonathan J. Han

(74) *Attorney, Agent, or Firm* — Maxwell J. Petersen; Lewis Brisbois Bisgaard & Smith LLP

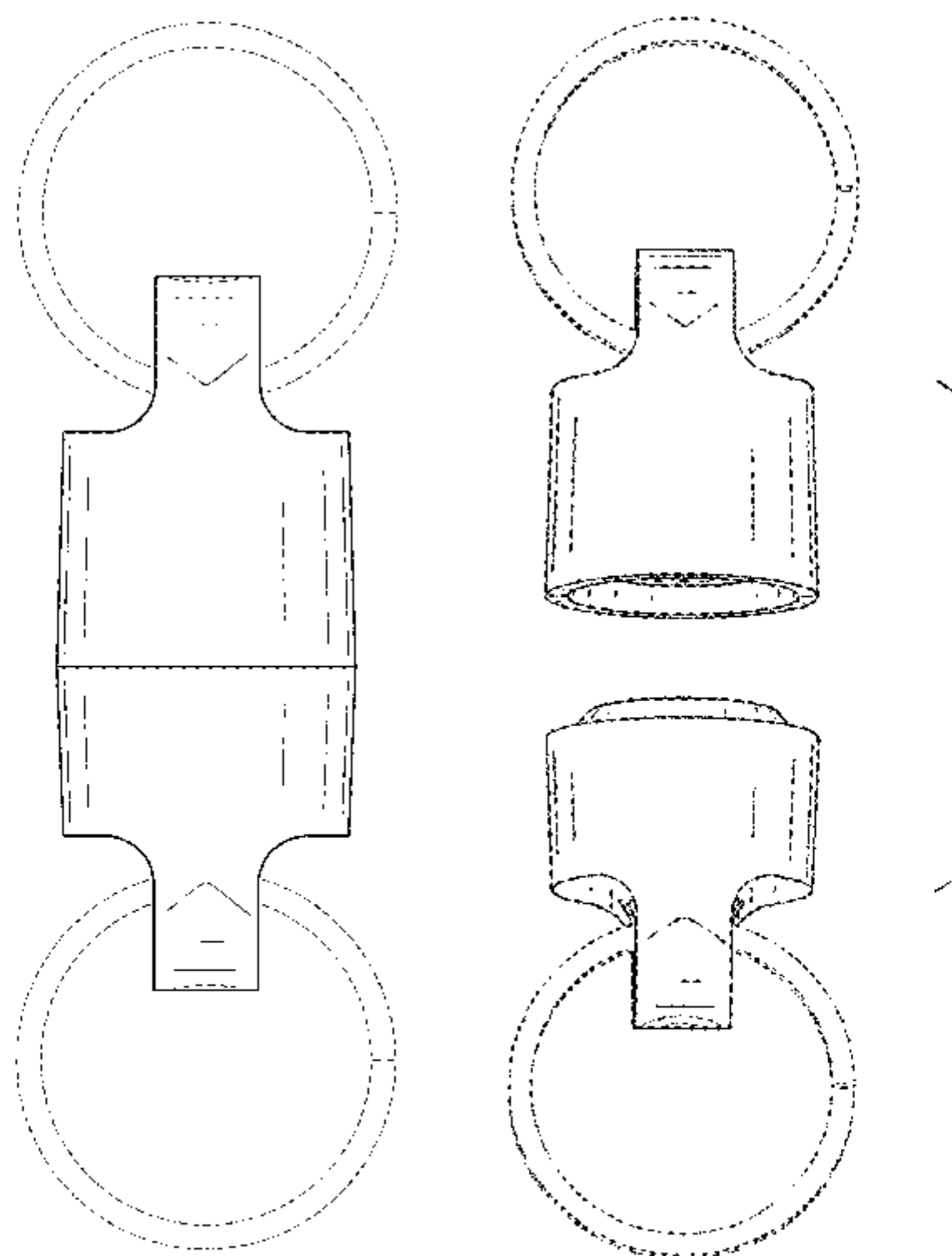
(57) **CLAIM**

The ornamental design for a two-piece keychain, substantially as shown and described.

**DESCRIPTION**

FIG. 1 is an elevational a plan view of the two-piece keychain.  
 FIG. 2 is an elevational view of the two-piece keychain of FIG. 1, rotated by 90 degrees.  
 FIG. 3 is an elevational view of the two-piece keychain of FIG. 1, rotated by 180 degrees.  
 FIG. 4 is an elevational view of the two-piece keychain of FIG. 1, rotated by 270 degrees.  
 FIG. 5 is an elevational view of the two-piece keychain of FIG. 1, with the second piece rotated by 90 degrees relative to the first piece.  
 FIG. 6 is a first end view of the two-piece keychain of FIG. 1.  
 FIG. 7 is a second end view of the two-piece keychain of FIG. 1.  
 FIG. 8 is a perspective view of the two-piece keychain of FIG. 1, showing the first and second piece separated from each other.  
 FIG. 9 is an inside end view of the first piece shown in FIG. 8.  
 FIG. 10 is an inside end view of the second piece shown in FIG. 8.  
 FIG. 11 is an elevational view of the first piece only; and, FIG. 12 is an elevational view of the second piece only.  
 The attached key rings (FIGS. 1-12) and the circular end features (FIGS. 6 and 7) shown with dotted lines are for illustrating the environmental structure, and form no part of the claimed design.

**1 Claim, 4 Drawing Sheets**



(58) **Field of Classification Search**

USPC .... D13/168; D8/347, 98, 99, 100, 105, 107,  
 D8/118; D10/104; D14/496, 411;  
 206/37.1; 21/604, 605, 656, 658, 659;  
 24/3.6, 457, 458; D11/11, 79, 81, 82, 86,  
 D11/87  
 CPC ..... A45C 11/32; A47G 29/10; F04B 15/00;  
 H04B 1/034; E05B 19/04; A44B 15/00;  
 A44B 15/002; A44B 15/005; A44B  
 15/007

See application file for complete search history.

7,234,208 B2 \* 6/2007 Harley ..... H02G 1/081  
 24/303  
 D571,044 S \* 6/2008 Conte ..... D28/65  
 D586,252 S \* 2/2009 Kittelsen ..... D11/80  
 D597,399 S \* 8/2009 Draeger-Larkin ..... D8/356  
 D602,247 S \* 10/2009 Oas ..... D3/208  
 D630,010 S \* 1/2011 Brown ..... D3/208  
 D633,171 S \* 2/2011 Wastrack ..... D22/134  
 D646,888 S \* 10/2011 Kieswetter ..... D3/208  
 8,136,686 B2 \* 3/2012 Schlatter ..... A44B 15/005  
 220/212.5  
 D676,734 S \* 2/2013 Moreau ..... D8/356  
 D814,272 S \* 4/2018 Berman ..... D8/356

(56) **References Cited**

U.S. PATENT DOCUMENTS

2,975,497 A \* 3/1961 Budreck ..... A44B 15/002  
 24/303  
 3,129,477 A \* 4/1964 Mizuno ..... A44C 5/2076  
 24/303  
 D257,572 S \* 12/1980 Wefler ..... D3/208  
 4,333,562 A \* 6/1982 Todd ..... G09F 3/00  
 206/232  
 D308,600 S \* 6/1990 Wischnowsky ..... D3/207  
 5,050,276 A \* 9/1991 Pemberton ..... A44C 5/2076  
 24/303  
 5,197,168 A \* 3/1993 Levy ..... A44C 5/2076  
 24/303  
 D336,778 S \* 6/1993 Miller ..... D3/208  
 D342,384 S \* 12/1993 MacDonald ..... D3/207  
 D381,803 S \* 8/1997 Crego ..... D3/208  
 D408,581 S \* 4/1999 Barmes ..... D27/163  
 D409,830 S \* 5/1999 Stafford ..... D3/208  
 D411,036 S \* 6/1999 Barmes ..... D3/208  
 D420,215 S \* 2/2000 MacDonald ..... D3/207  
 D433,562 S \* 11/2000 Redlinger ..... D3/208  
 D463,105 S \* 9/2002 Tsai ..... D3/207  
 D465,709 S \* 11/2002 Robinson ..... D3/208  
 6,631,800 B1 \* 10/2003 Keeven ..... A01M 31/00  
 206/37  
 D509,054 S \* 9/2005 Shennib ..... D3/203.1  
 7,032,590 B2 \* 4/2006 Loeffler ..... A61J 1/065  
 128/200.24

OTHER PUBLICATIONS

Amflo Air Hose Type Pull Apart Key Ring, Keyring.com, [online],  
 [site visited Apr. 16, 2019]. URL: <https://www.keyring.com/amflo-air-hose-type-pull-apart-key-ring.aspx> (Year: 2019).\*

Magnetic Quick Release Yellow, CustomCase3d.com, [online], [site  
 visited Apr. 16, 2019]. URL: [https://www.customcase3d.com/product\\_detail.php?c=brass](https://www.customcase3d.com/product_detail.php?c=brass) (Year: 2019).\*

Mountain River Co., "Clip It Magnet" (photo attached), [https://www.amazon.com/Original-Detachable-MountainRiver-Co-Prevention/dp/B06WVPBSRL/ref=pd\\_sbs\\_229\\_8?encoding=UTF8&pd\\_rd\\_i=B06WVPBSRL&pd\\_rd\\_r=NAR4S4VX4YEXCNMF7N66&pd\\_rd\\_w=PyTtV&pd\\_rd\\_wg=VOhoX&pvc=1&refRID=NAR4S4VX4YEXCNMF7N66](https://www.amazon.com/Original-Detachable-MountainRiver-Co-Prevention/dp/B06WVPBSRL/ref=pd_sbs_229_8?encoding=UTF8&pd_rd_i=B06WVPBSRL&pd_rd_r=NAR4S4VX4YEXCNMF7N66&pd_rd_w=PyTtV&pd_rd_wg=VOhoX&pvc=1&refRID=NAR4S4VX4YEXCNMF7N66).

"Lixada Magnetic Release" (photo attached), [https://www.amazon.com/Lixada-Magnetic-Release-Fishing-Connector/dp/B07B7M29DP/ref=pd\\_sbs\\_469\\_6?encoding=UTF8&pd\\_rd\\_i=B07B7M29DP&pd\\_rd\\_r=V78ZZM478T5Q0FJYZ0JW&pd\\_rd\\_w=KFyrH&pd\\_rd\\_wg=AaZEA&refRID=V78ZZM478T5Q0FJYZ0JW](https://www.amazon.com/Lixada-Magnetic-Release-Fishing-Connector/dp/B07B7M29DP/ref=pd_sbs_469_6?encoding=UTF8&pd_rd_i=B07B7M29DP&pd_rd_r=V78ZZM478T5Q0FJYZ0JW&pd_rd_w=KFyrH&pd_rd_wg=AaZEA&refRID=V78ZZM478T5Q0FJYZ0JW).

"Keybar Magnut" (photo attached), <https://www.keybarus/product/magnut/>.

"Freestone Magnetic Net Release" (photo attached), [https://www.amazon.com/dp/B01GIOP9RK/ref=sspa\\_dk\\_detail\\_2?psc=1&pd\\_rd\\_i=B01GIOP9RK&pd\\_rd\\_wg=PijoH&pd\\_rd\\_r=RXCG364MV3F0W9NCN732&pd\\_rd\\_w=TioGA](https://www.amazon.com/dp/B01GIOP9RK/ref=sspa_dk_detail_2?psc=1&pd_rd_i=B01GIOP9RK&pd_rd_wg=PijoH&pd_rd_r=RXCG364MV3F0W9NCN732&pd_rd_w=TioGA).

\* cited by examiner

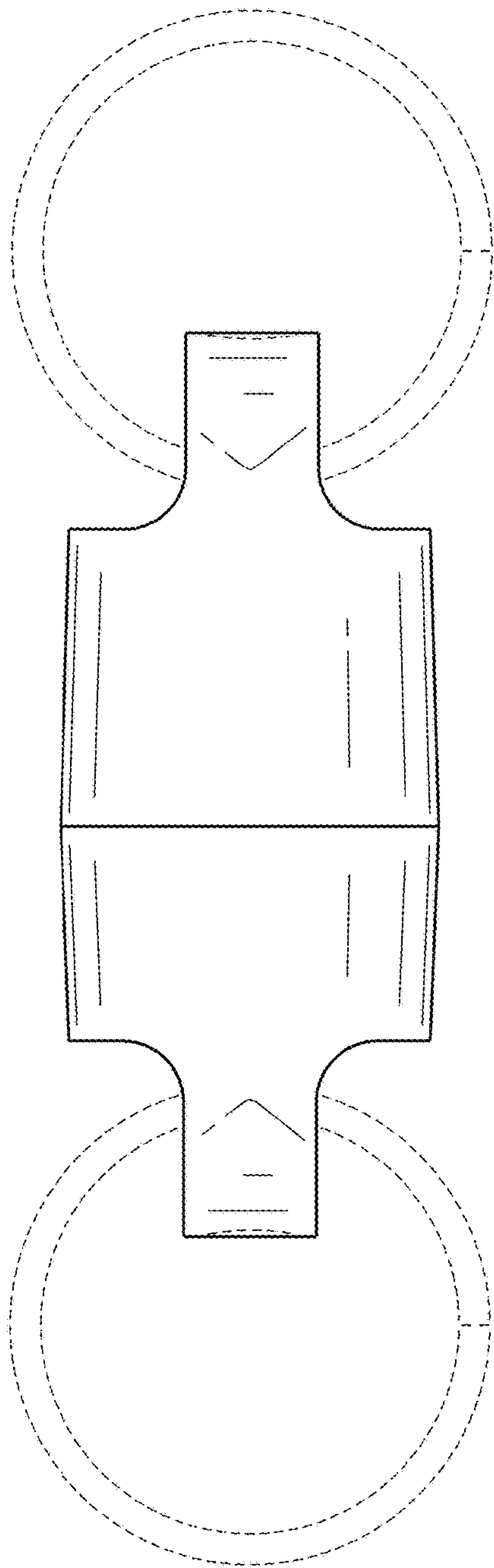


FIG. 1

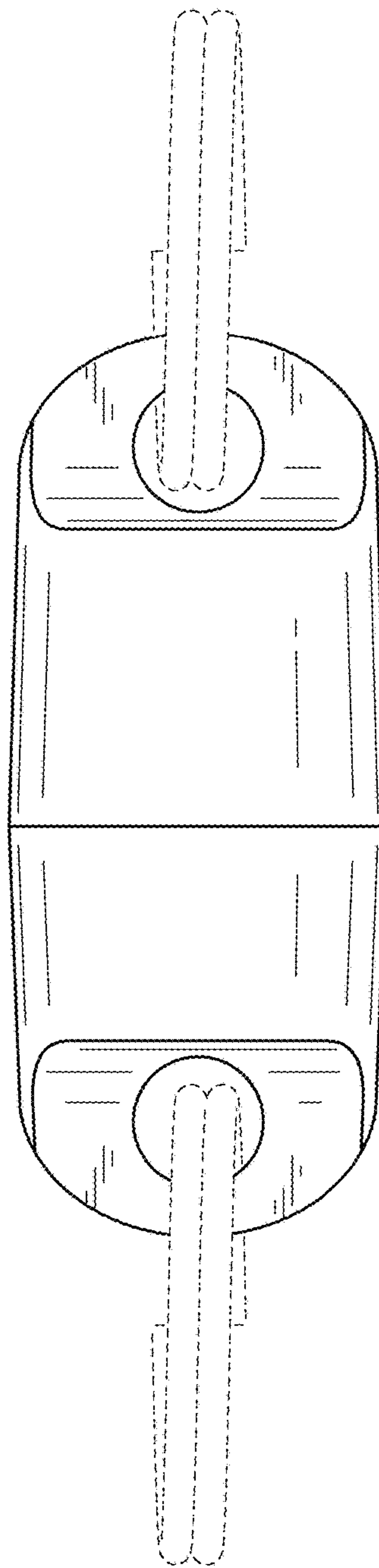


FIG. 2

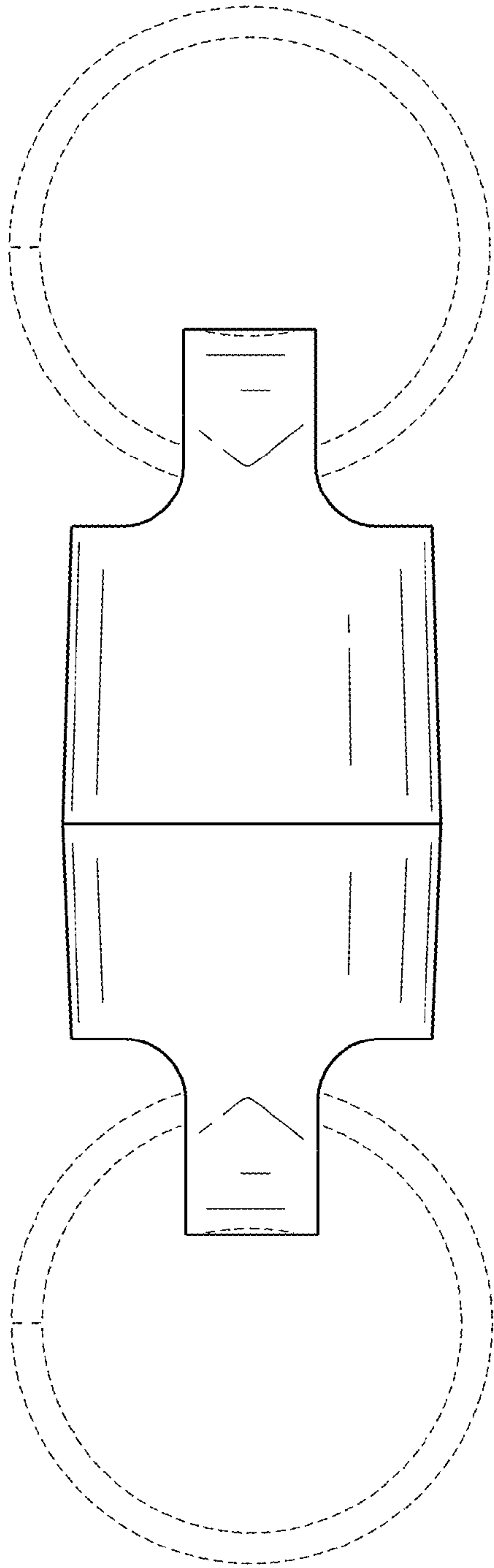


FIG. 3

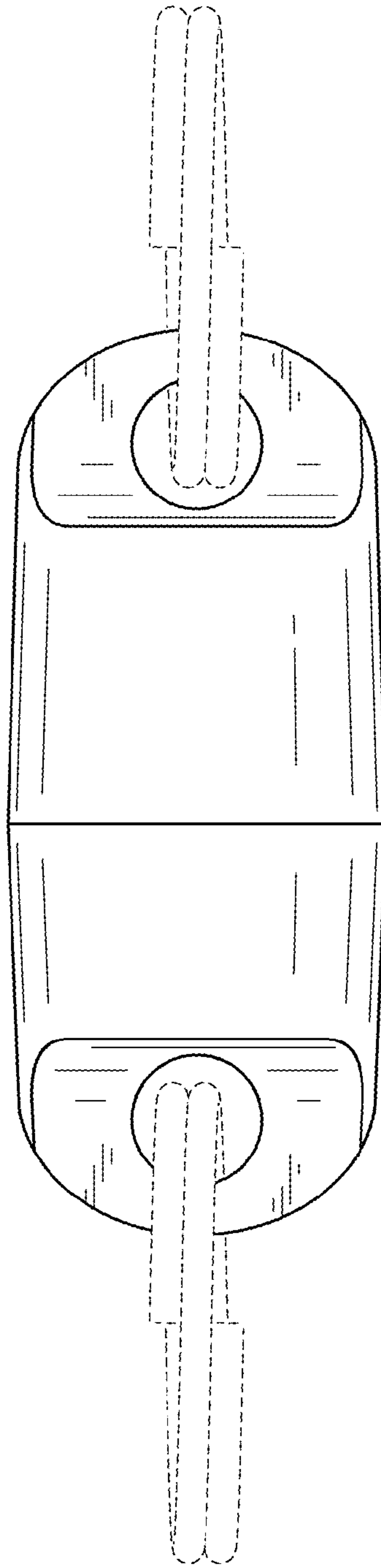


FIG. 4



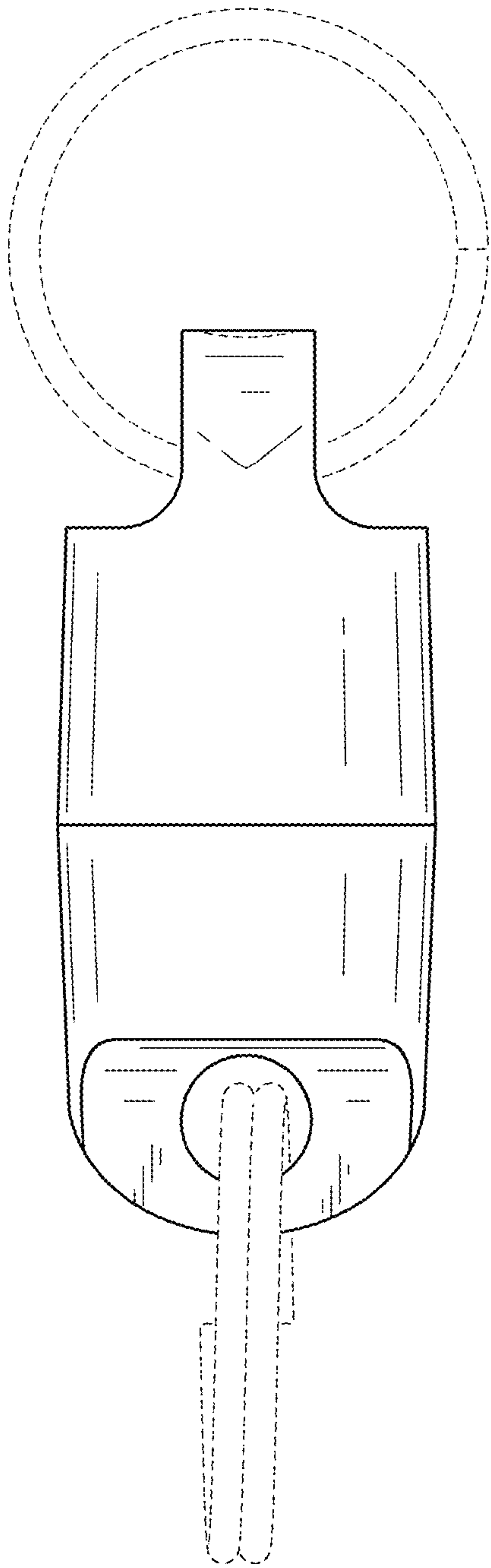


FIG. 5

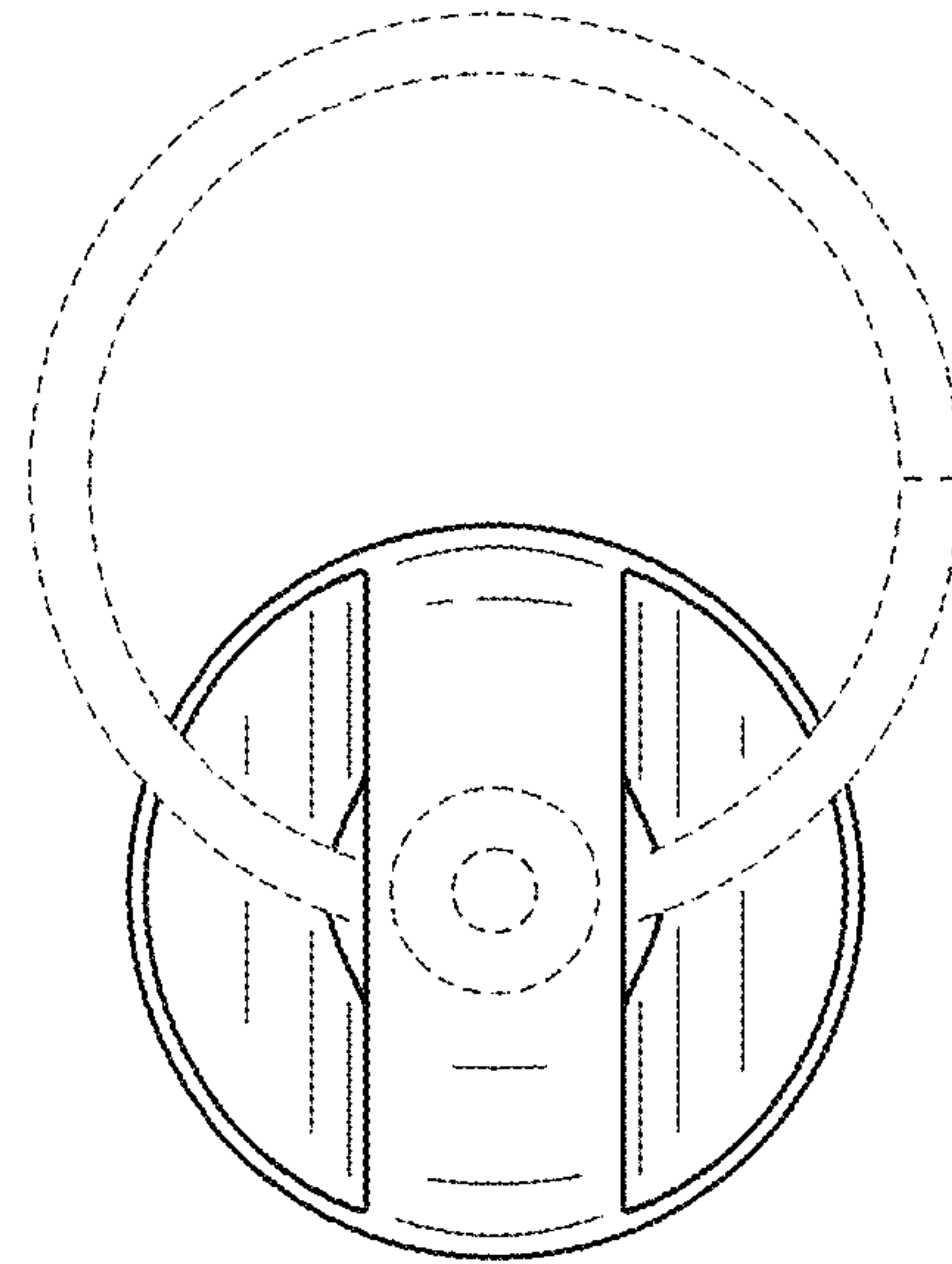


FIG. 6

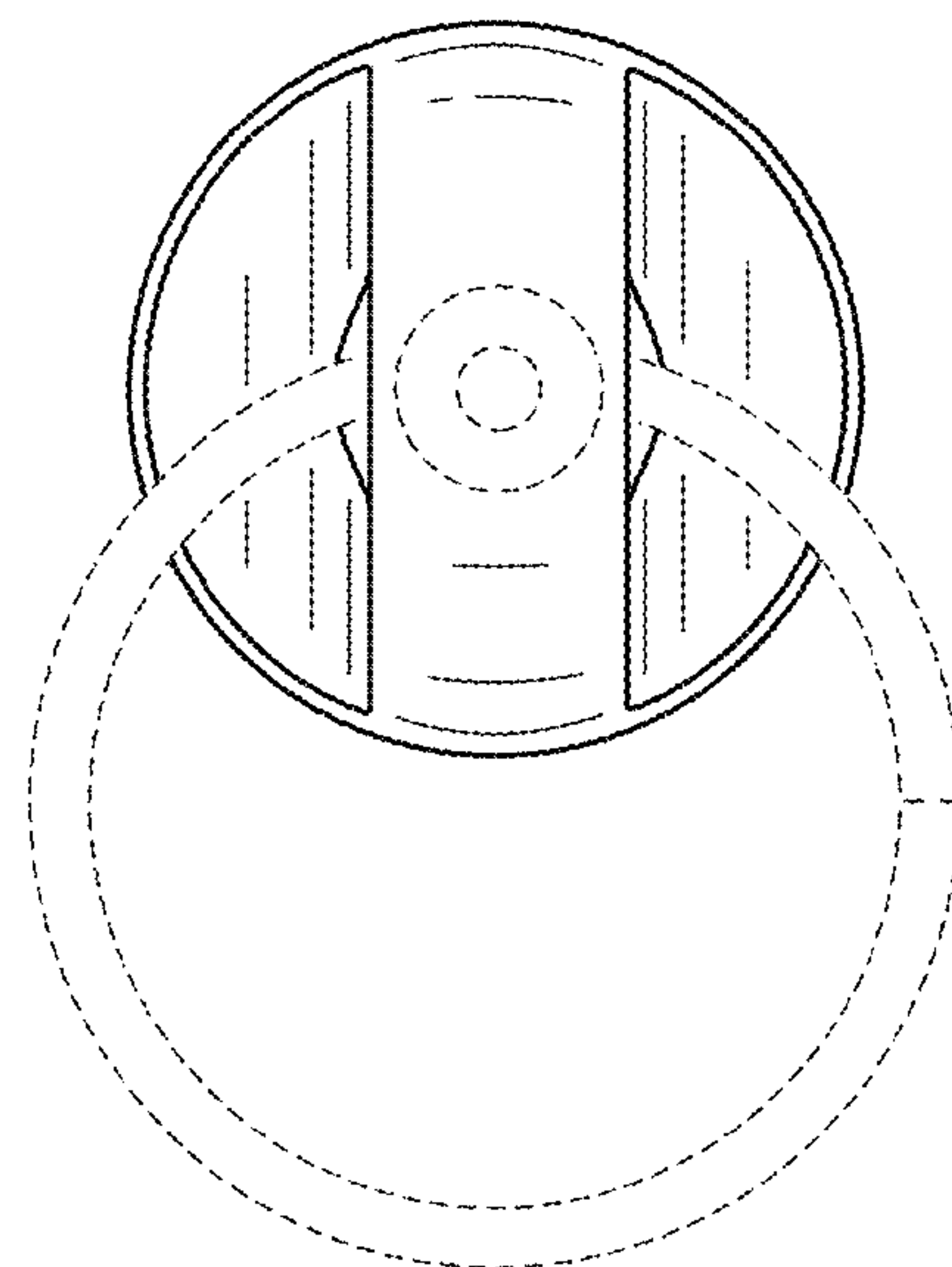


FIG. 7

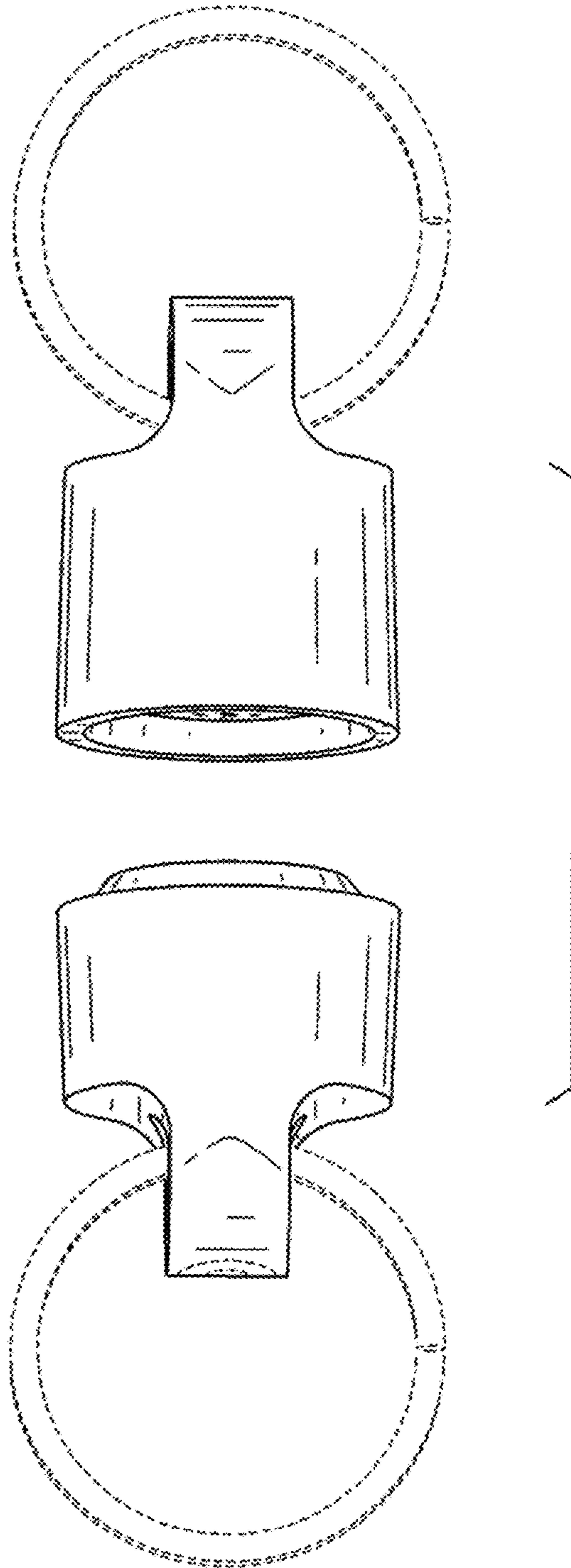


FIG. 8