



US00D860636S

(12) **United States Design Patent**
Moody et al.

(10) **Patent No.:** **US D860,636 S**

(45) **Date of Patent:** **** Sep. 24, 2019**

- (54) **SEVEN DAY PILLBOX**
- (71) Applicants: **Melissa Moody**, Mountain View, CA (US); **Yvonne Spencer**, Los Altos, CA (US)
- (72) Inventors: **Melissa Moody**, Mountain View, CA (US); **Yvonne Spencer**, Los Altos, CA (US)
- (73) Assignee: **Mimi Medcessories LLC**, Mountain View, CA (US)

7,494,012 B1 *	2/2009	Priebe	A61J 1/03 206/1.5
D684,355 S *	6/2013	Priebe	D3/203.3
D691,366 S *	10/2013	Muncy	D3/203.3
D695,512 S *	12/2013	Priebe	D3/203.3
D696,008 S *	12/2013	Priebe	D3/203.3
D696,010 S *	12/2013	Priebe	D3/203.3
D696,856 S *	1/2014	Priebe	D3/203.3
D698,141 S *	1/2014	Priebe	D3/203.3
D698,540 S *	2/2014	Priebe	D3/203.3
D709,282 S *	7/2014	Priebe	D3/203.3
D731,784 S *	6/2015	McGarry	D3/205
D747,869 S *	1/2016	Priebe	D3/203.3

(Continued)

(**) Term: **15 Years**

Primary Examiner — John Windmuller
Assistant Examiner — Steven J Czyz

(21) Appl. No.: **29/617,321**

(57) **CLAIM**

(22) Filed: **Sep. 13, 2017**

The ornamental design for a seven day pill box, as shown and described.

(51) **LOC (12) Cl.** **03-03**

(52) **U.S. Cl.**
USPC **D3/203.3**

DESCRIPTION

(58) **Field of Classification Search**
USPC D3/201, 203.1, 203.2, 203.3, 203.4,
D3/203.5, 203.6, 203.7, 203.8; D9/756,
D9/757, 759, 760
CPC A61J 1/03; A61J 7/0076; A61J 7/04; A61J
7/0084; B65D 83/04
See application file for complete search history.

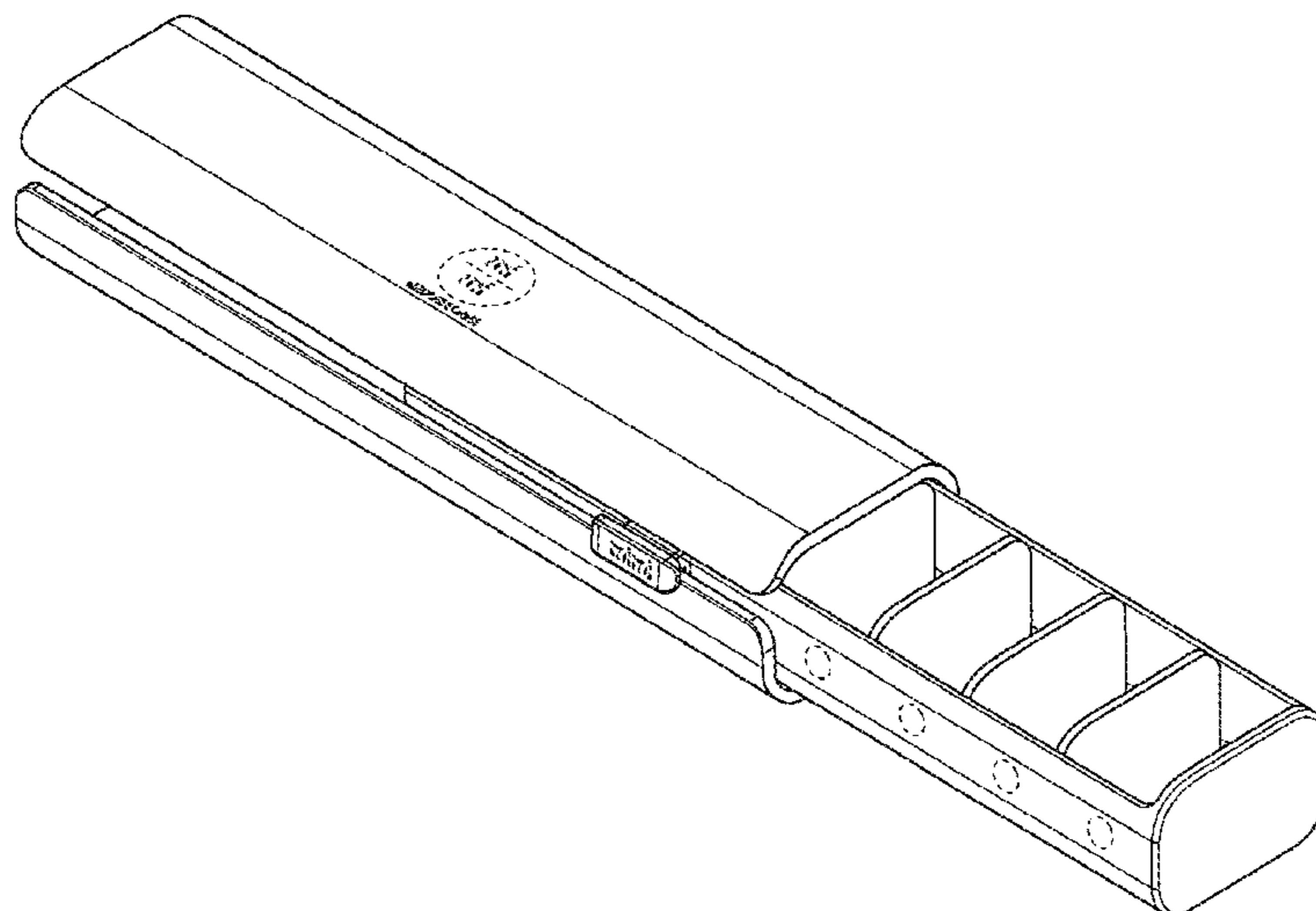
FIG. 1 is a perspective view of a seven day pill box shown in an open state, according to our design;
FIG. 2 is an open top view thereof;
FIG. 3 is an open front view thereof;
FIG. 4 is an open bottom view thereof;
FIG. 5 is an open back view thereof;
FIG. 6 is an open left side view thereof;
FIG. 7 is an open right side view thereof;
FIG. 8 is a perspective view of the seven day pill box shown in a closed state;
FIG. 9 is a closed top side view thereof;
FIG. 10 is a closed front view thereof;
FIG. 11 is a closed bottom view thereof;
FIG. 12 is a closed back view thereof;
FIG. 13 is a closed left side view thereof; and,
FIG. 14 is a closed right side view.
The broken lines depict portions of the article that form no part of the claimed design.

(56) **References Cited**

U.S. PATENT DOCUMENTS

D227,552 S *	7/1973	Bridges et al.	D3/203.3
D298,803 S *	12/1988	Ebling	D3/203.3
D304,905 S *	12/1989	Zimmerman	D3/203.3
D337,725 S *	7/1993	Bunin	D3/203.3
6,302,855 B1 *	10/2001	Lav	A61B 5/14532 600/584
D466,801 S *	12/2002	Holland	D3/203.3
D525,535 S *	7/2006	Rathbone	D9/757
D528,782 S *	9/2006	Oas	D3/203.3
D587,005 S *	2/2009	Gardner	D3/203.3

1 Claim, 8 Drawing Sheets



(56)

References Cited

U.S. PATENT DOCUMENTS

D761,009	S *	7/2016	Jewell	D3/203.3
D775,462	S *	1/2017	Noble	D3/203.3
D778,173	S *	2/2017	Pisarevsky	D3/203.3
D812,368	S *	3/2018	Noble	D3/203.3
2004/0089581	A1 *	5/2004	Dienst	B65D 43/22
					206/538
2010/0044270	A1 *	2/2010	Noble	A61J 7/04
					206/538
2010/0147735	A1 *	6/2010	Musgray	A61J 1/03
					206/538
2014/0251863	A1 *	9/2014	Priebe	A61J 1/03
					206/534
2017/0273871	A1 *	9/2017	Glazer	A61J 1/03
2017/0337347	A1 *	11/2017	Chu	A61J 1/03

* cited by examiner

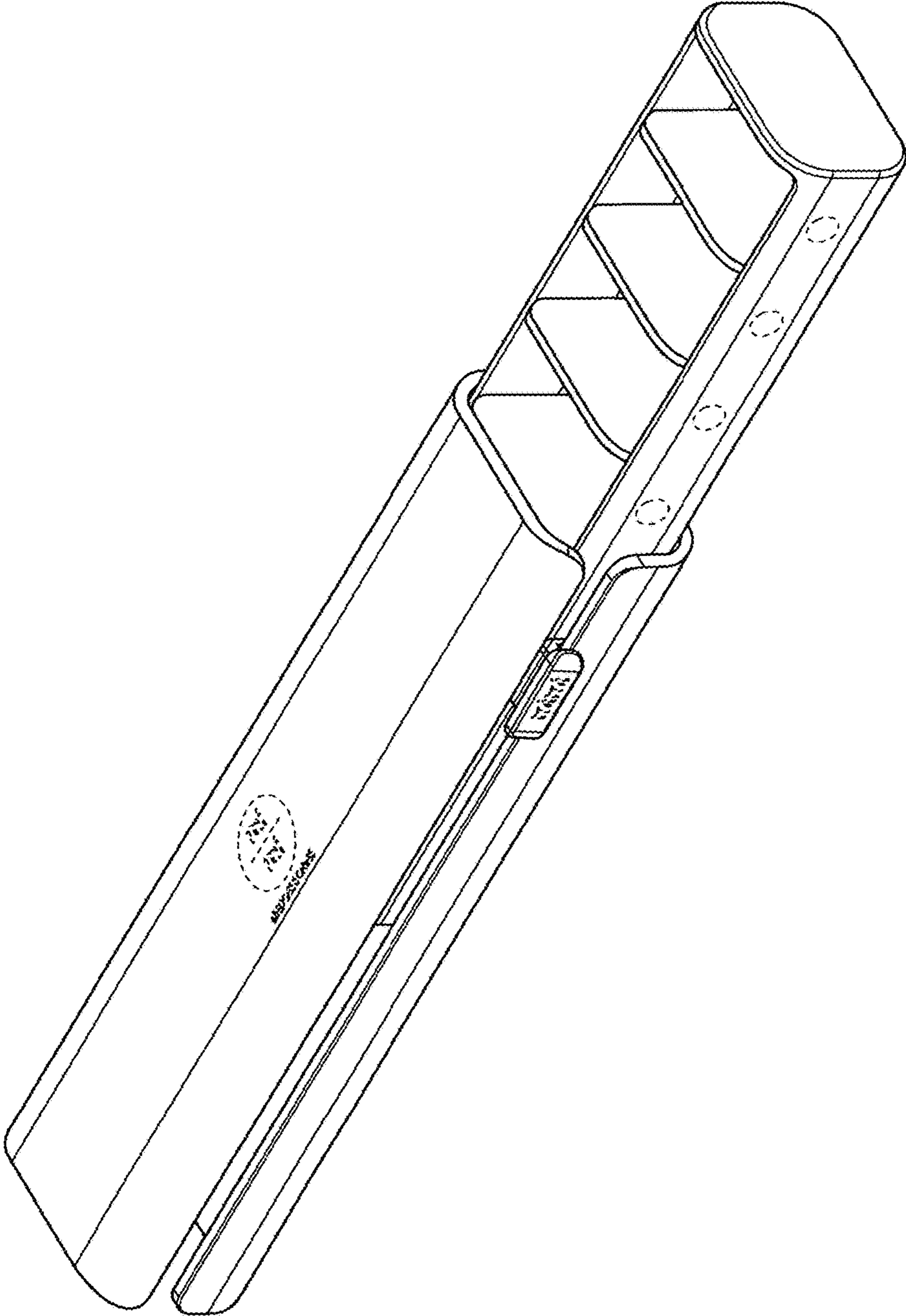


FIG. 1

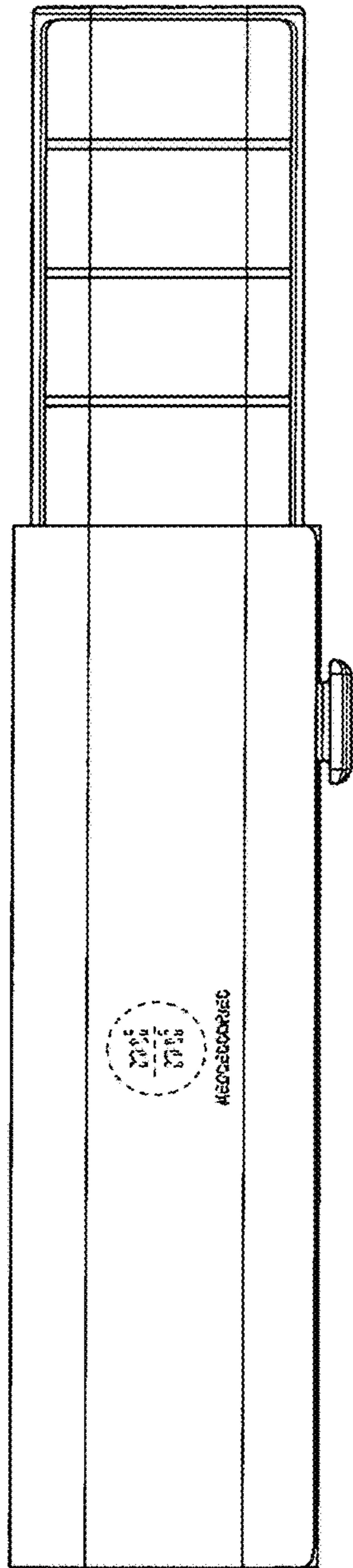


FIG. 2

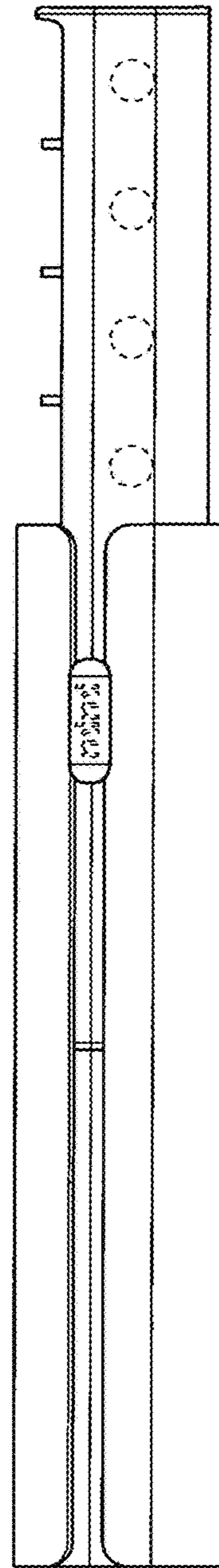


FIG. 3

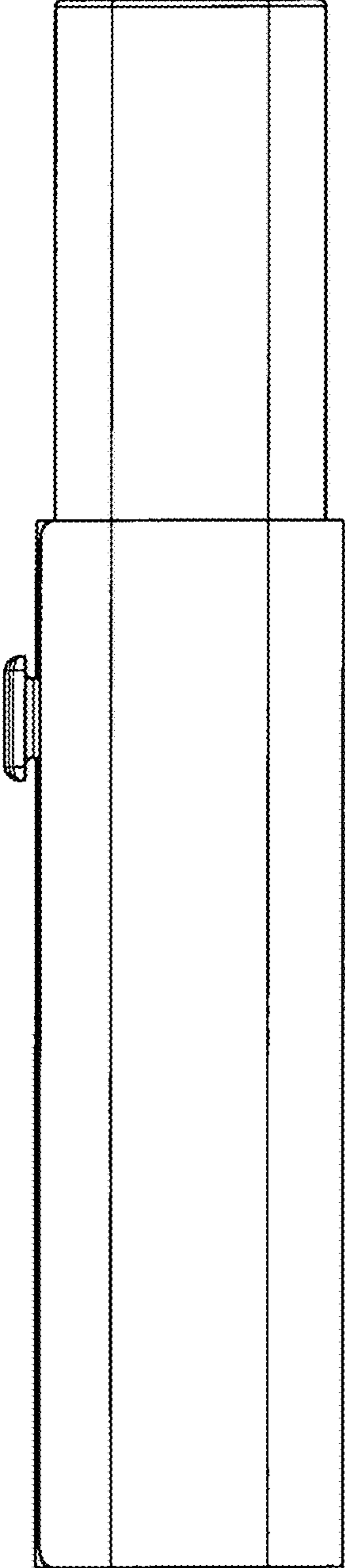


FIG. 4

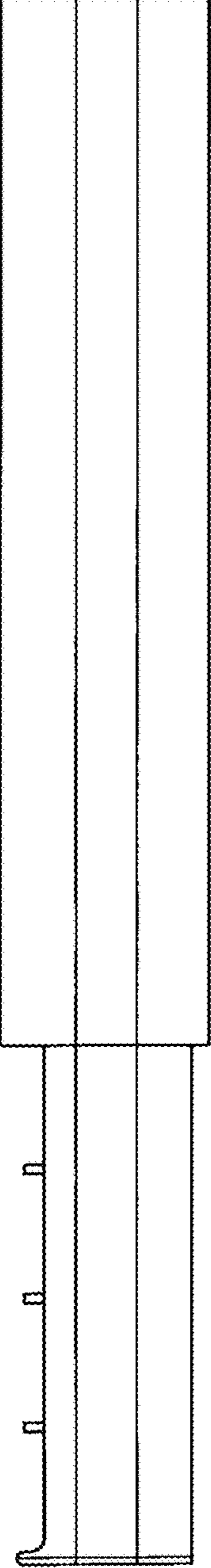


FIG. 5

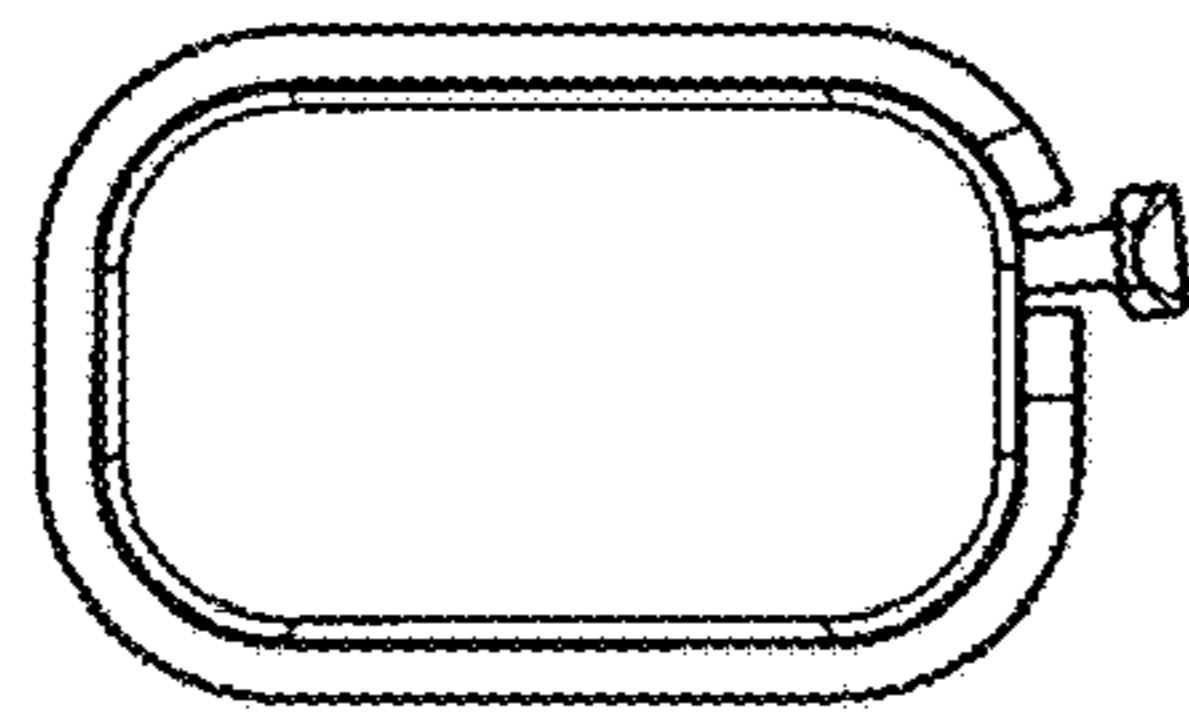


FIG. 6

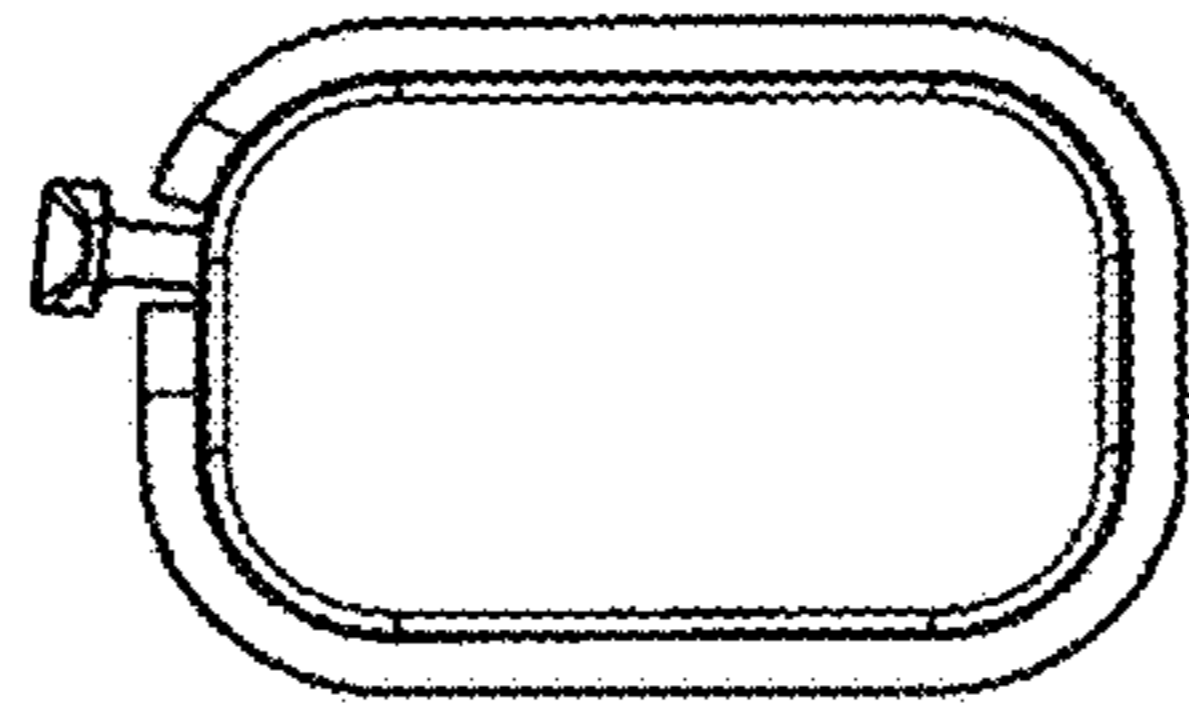


FIG. 7

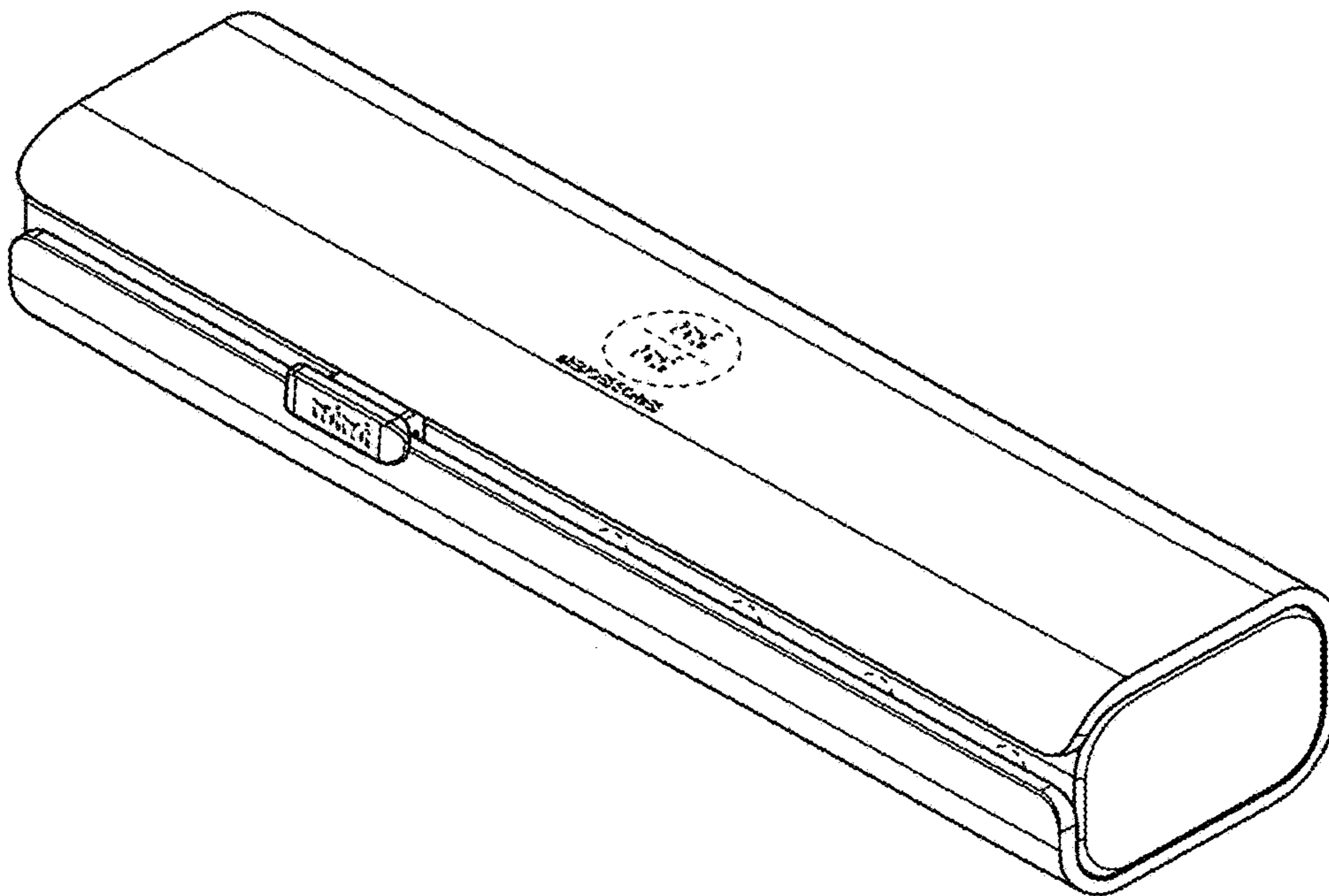


FIG. 8

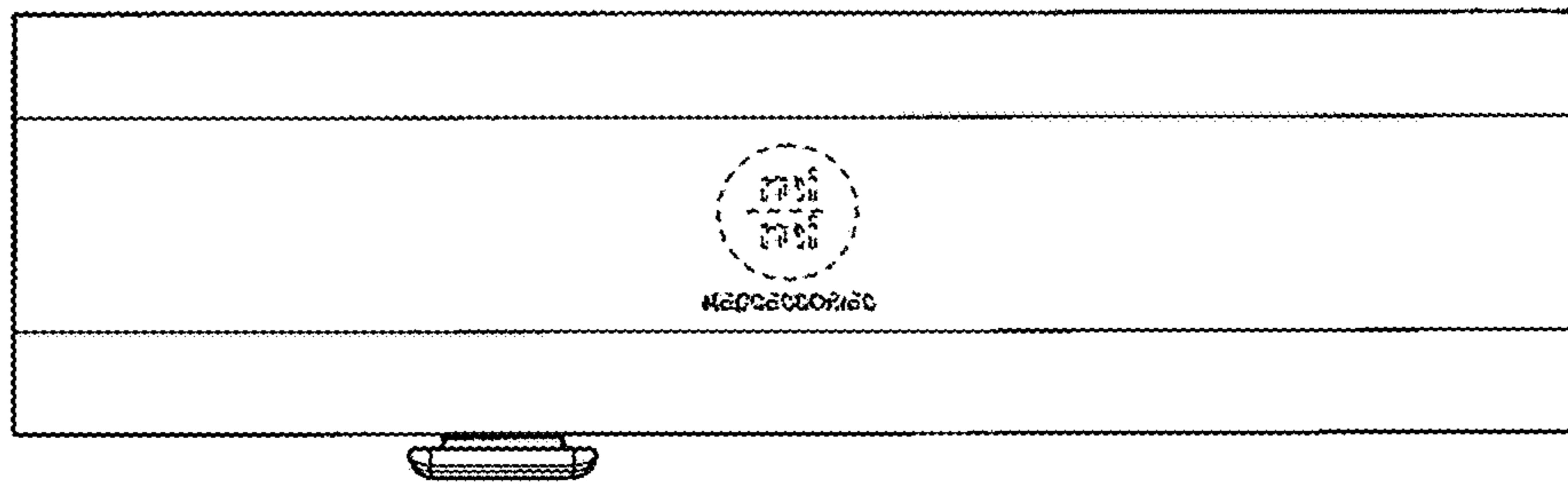


FIG. 9

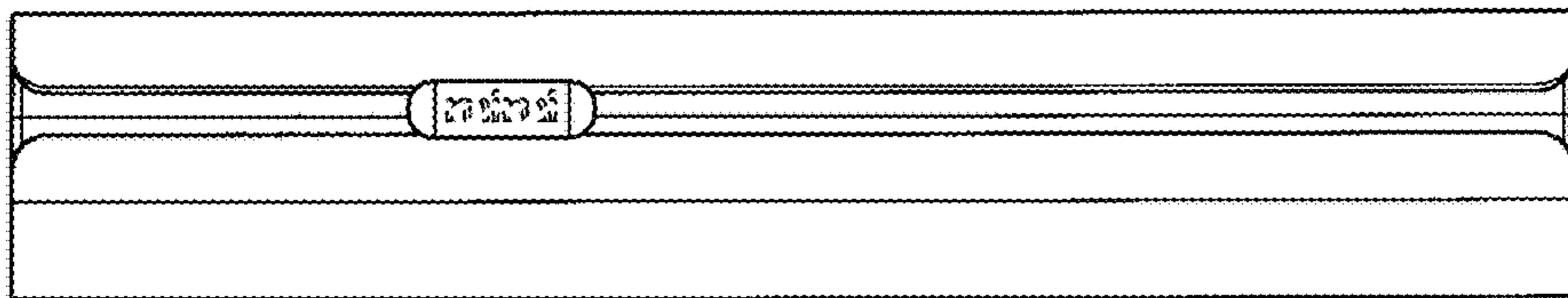


FIG. 10

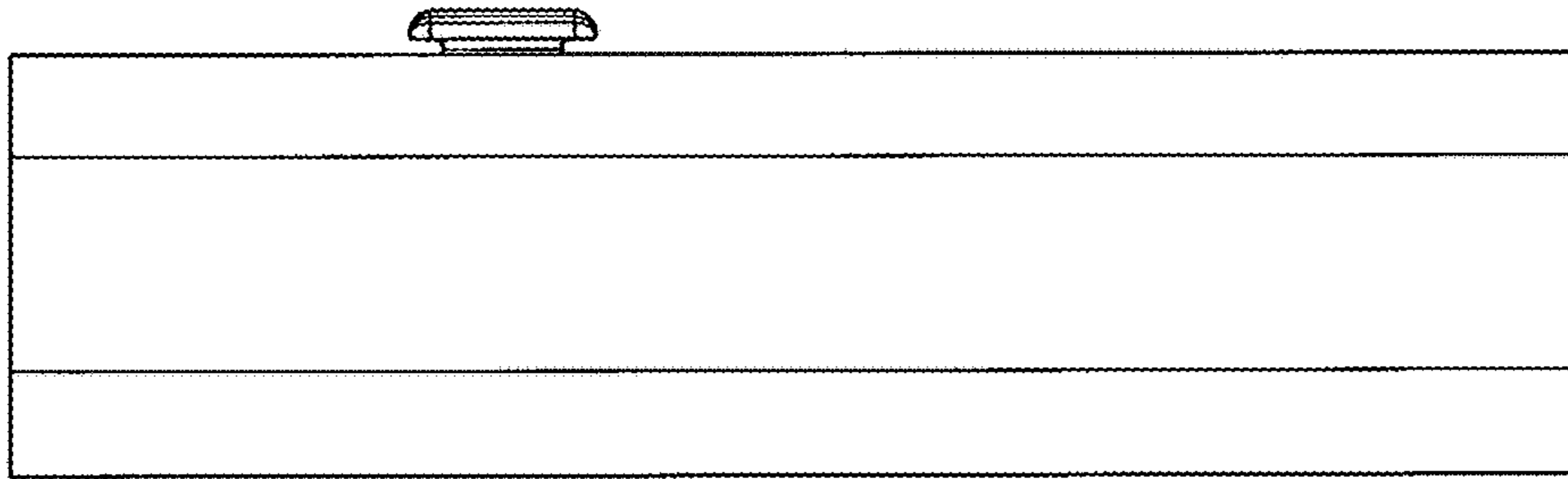


FIG. 11



FIG. 12

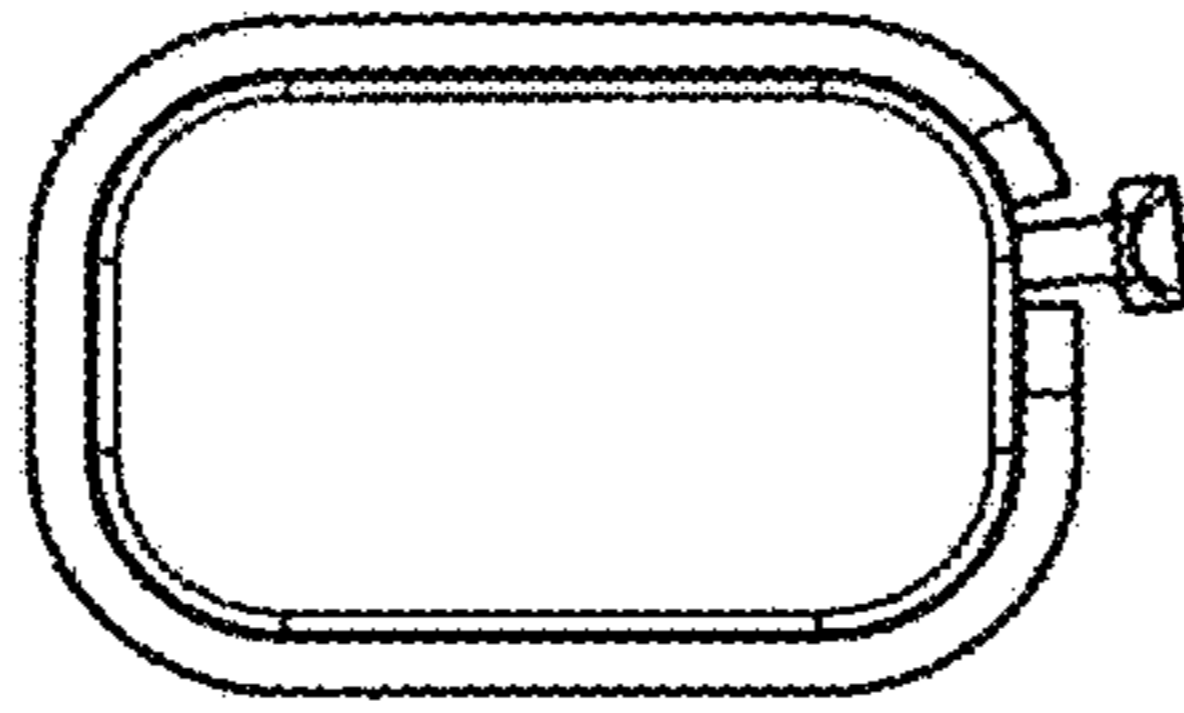


FIG. 13

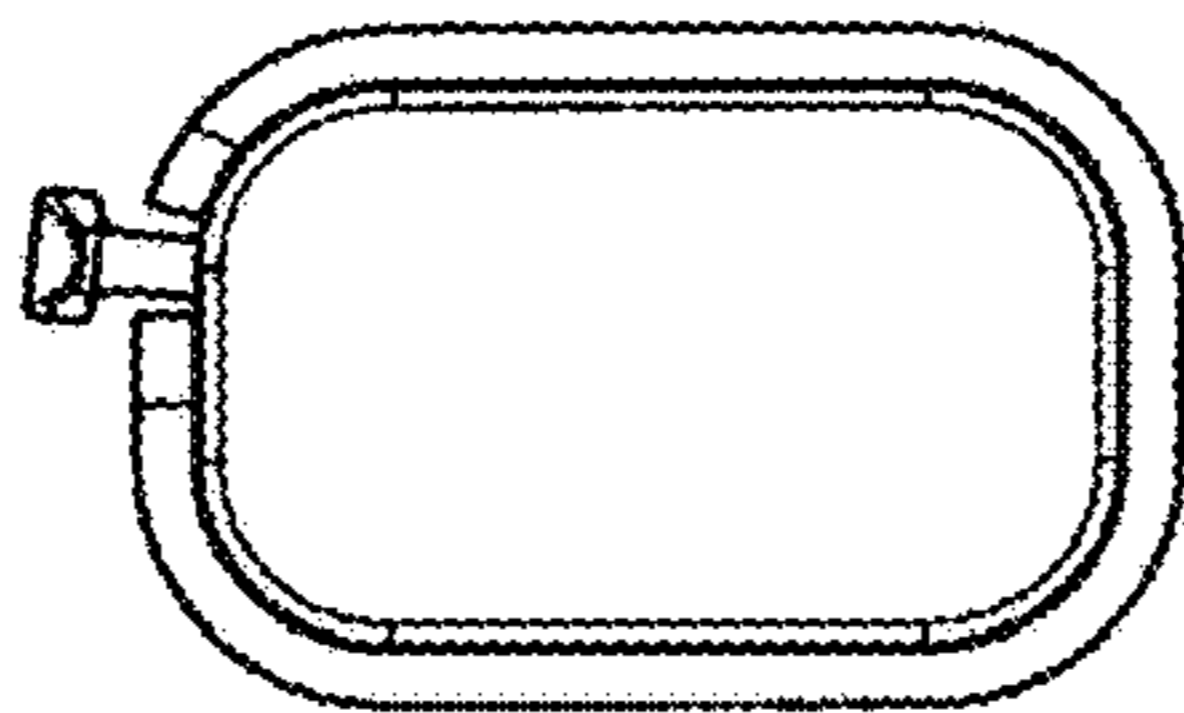


FIG. 14

UNITED STATES PATENT AND TRADEMARK OFFICE
CERTIFICATE OF CORRECTION

PATENT NO. : D860,636 S
APPLICATION NO. : 29/617321
DATED : September 24, 2019
INVENTOR(S) : Moody et al.

Page 1 of 1

It is certified that error appears in the above-identified patent and that said Letters Patent is hereby corrected as shown below:

On the Title Page

Item (72), Please add to current list of inventors:
Emily Moyer, Brooklyn, NY (US)

Signed and Sealed this
Thirteenth Day of April, 2021



Drew Hirshfeld
*Performing the Functions and Duties of the
Under Secretary of Commerce for Intellectual Property and
Director of the United States Patent and Trademark Office*