

US00D860635S

(12) **United States Design Patent** (10) **Patent No.:** **US D860,635 S**
Connelly (45) **Date of Patent:** **** *Sep. 24, 2019**

(54) **STORAGE CASE**

(71) Applicant: **Mark Connelly**, Thousand Oaks, CA (US)

(72) Inventor: **Mark Connelly**, Thousand Oaks, CA (US)

(*) Notice: This patent is subject to a terminal disclaimer.

(**) Term: **15 Years**

(21) Appl. No.: **35/001,209**

(22) Filed: **May 31, 2016**

(80) **Hague Agreement Data**

Int. Filing Date: **May 31, 2016**

Int. Reg. No.: **DM/091342**

Int. Reg. Date: **May 31, 2016**

Int. Reg. Pub. Date: **Jul. 8, 2016**

(51) **LOC (12) Cl.** **03-01**

(52) **U.S. Cl.**
USPC **D3/201; D3/301; D3/300**

(58) **Field of Classification Search**
USPC D3/201, 234, 255, 271.9, 320, 256, 262, D3/279, 299, 301, 303, 318, 319, 273, D3/289, 292, 294-296, 232, 244; D9/420, 424
CPC .. A45C 1/00; A45C 1/02; A45C 1/024; A45C 1/08; A45C 3/00; A45C 3/10; A45C 2003/001; A45C 2011/003; A45C 5/00; A45C 7/00; A45C 7/0018; A45C 7/0054; A45C 7/0059; A45C 7/0095; A45C 2200/00; A45C 13/00; A45C 13/001; A45C 13/002; A45C 13/08; A45C 11/24; A45F 3/00; A45F 3/02; A45F 3/04; A45F 3/06; A45F 2003/001; A45F 2003/002; A45F 2003/006; A45F 2200/00; A45F 2200/0525

See application file for complete search history.

(56) **References Cited**

U.S. PATENT DOCUMENTS

1,949,677	A *	3/1934	Crawford	B65D 81/3886
				215/12.1
D271,162	S *	11/1983	Evans	D3/254
D283,758	S *	5/1986	Stewart	224/148.4
D291,842	S *	9/1987	Baumgardner	D3/254
D302,775	S *	8/1989	Sinoff	D7/608
D334,689	S *	4/1993	Mason	D3/202
5,425,194	A *	6/1995	Miller	A01K 97/08
				206/315.11
D391,074	S *	2/1998	Bean	D3/201
5,894,780	A *	4/1999	Taniguchi	C05F 17/0205
				383/117
D435,727	S *	1/2001	Gordon	D3/278
D450,445	S *	11/2001	Philipson	D3/202
D453,876	S *	2/2002	Moor	D3/300

(Continued)

Primary Examiner — Manpreet S Matharu

Assistant Examiner — Holly E Thurman

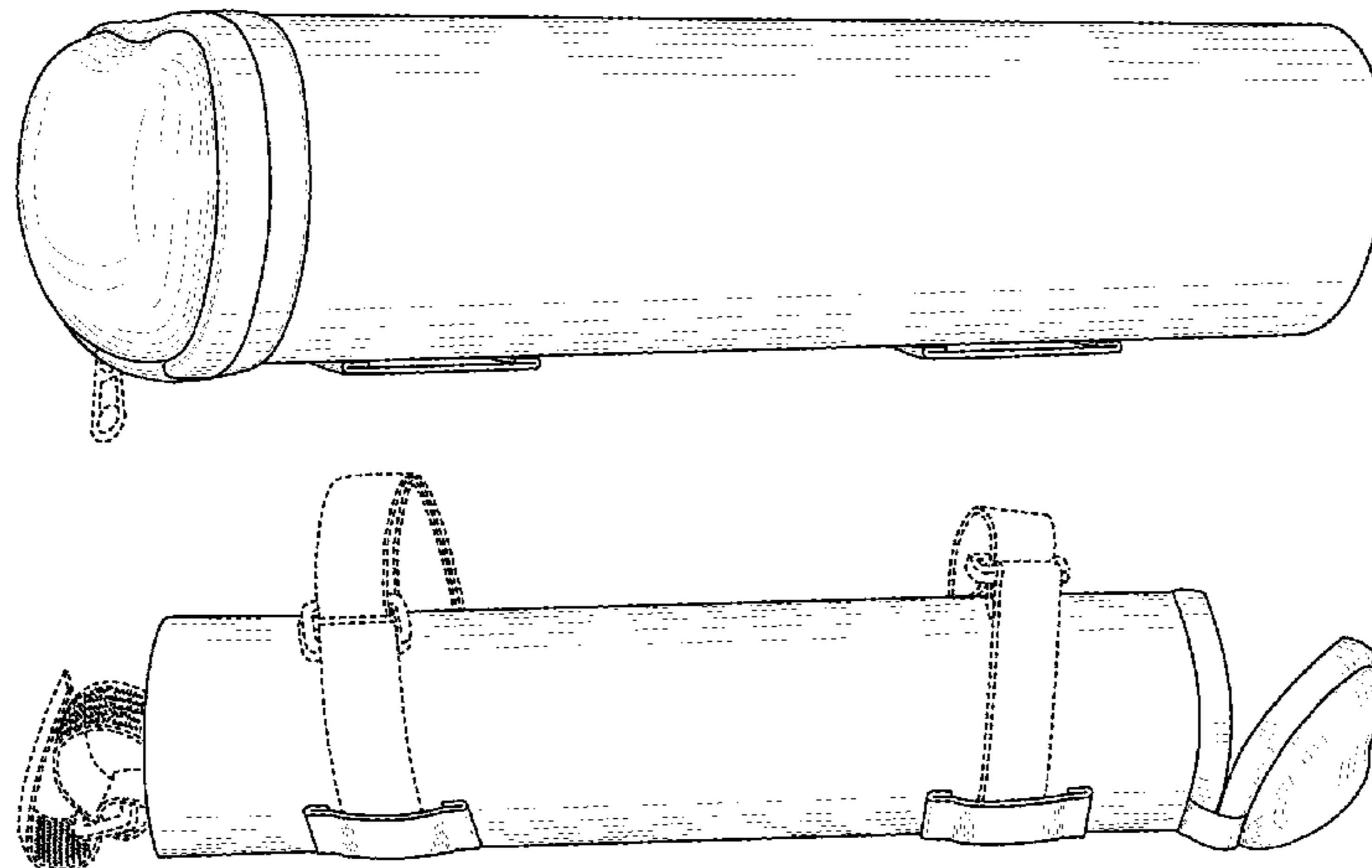
(57) **CLAIM**

The ornamental design for a storage case, as shown and described.

DESCRIPTION

Fig. 1.1 is a perspective view of my storage case
Fig. 1.2 is a perspective view of my storage case
Fig. 1.3 is a top view of my storage case
Fig. 1.4 is a bottom view of my storage case
Fig. 1.5 is a right side view of my storage case
Fig. 1.6 is a front end view of my storage case
Fig. 1.7 is a back end view of my storage case
Fig. 1.8 is a perspective view of my storage case
Fig. 1.9 is a perspective view of my storage case
The broken lines in the drawings of figures 1.8 and 1.9 show unclaimed environment only and form no part of the claimed design; the line shading in the drawings of figures 1.1, 1.2, 1.3, 1.4, 1.5, 1.6, 1.7, 1.8, and 1.9 is a drawing convention to represent contours and does not illustrate surface ornamentation or decoration.

1 Claim, 9 Drawing Sheets



(56)

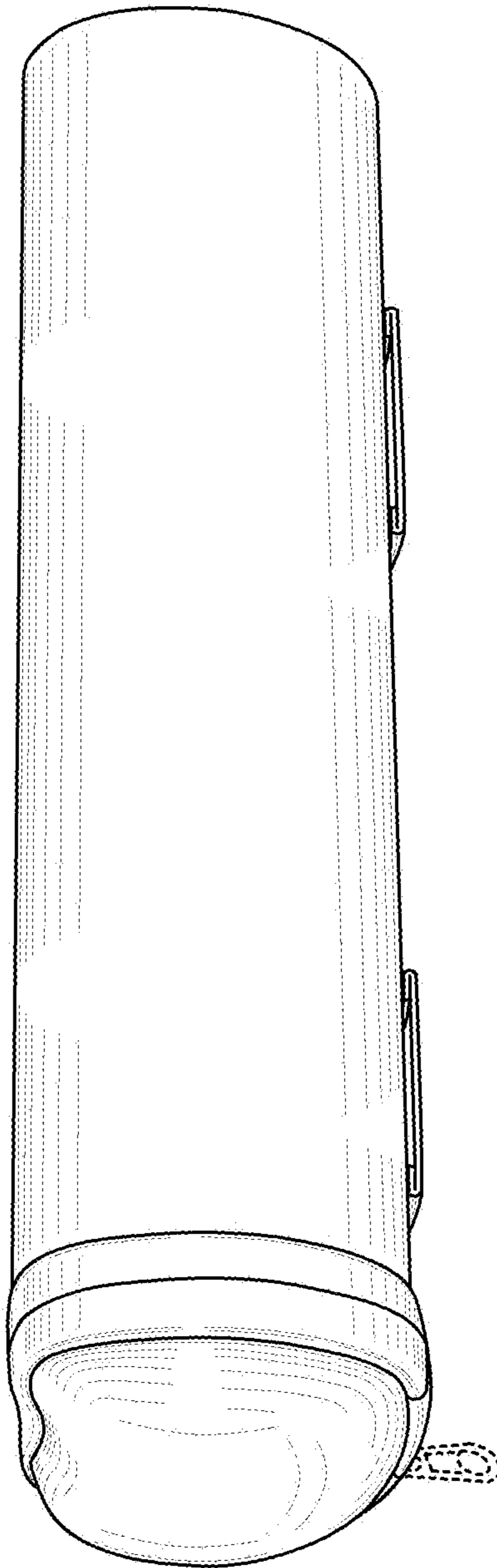
References Cited

U.S. PATENT DOCUMENTS

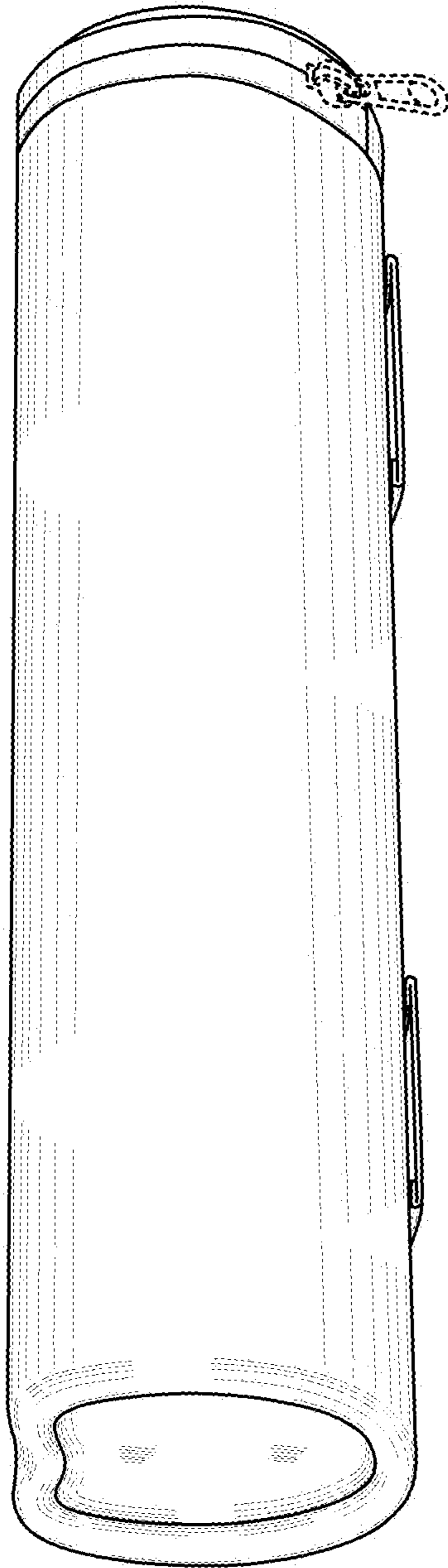
D456,605	S	*	5/2002	Vazquez	D3/244
D470,308	S	*	2/2003	McGeehan	D3/228
D478,726	S	*	8/2003	Masso	D3/260
D537,711	S	*	3/2007	Limber	D3/301
D538,040	S	*	3/2007	Vazquez	D3/303
D539,136	S	*	3/2007	Limber	D3/301
D551,447	S	*	9/2007	Ogawa	D3/257
D551,862	S	*	10/2007	Gerry	D3/300
D563,099	S	*	3/2008	Sandman	D3/257
D567,595	S	*	4/2008	Christopher	D3/229
D575,057	S	*	8/2008	Lucas	D3/254
D579,199	S	*	10/2008	Liao	D3/254
D609,454	S	*	2/2010	Porter-Young	D3/202
D624,714	S	*	9/2010	Brochu	D30/162
D655,085	S	*	3/2012	Holbrook	D3/289
D688,042	S	*	8/2013	King	D3/276
D763,576	S	*	8/2016	Leblanc	D3/289
D788,464	S	*	6/2017	Jin	D3/300

* cited by examiner

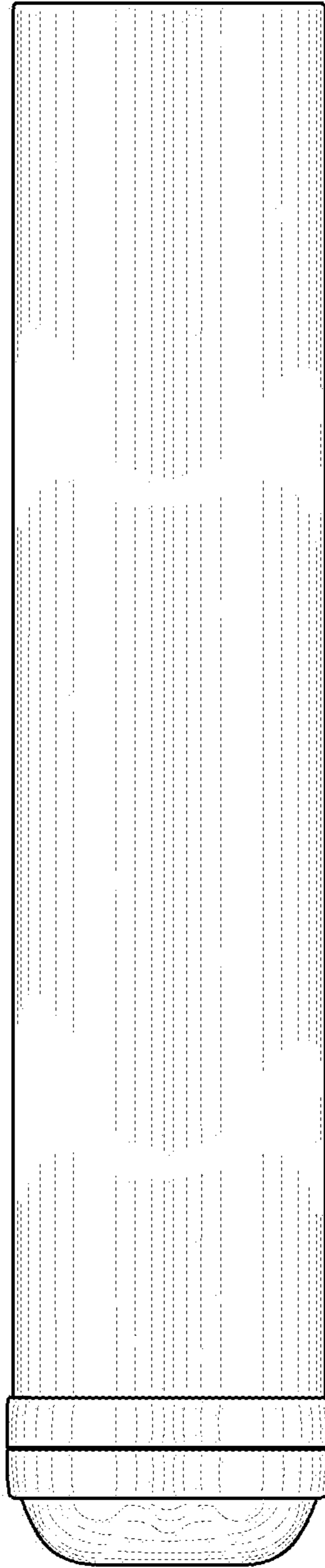
1.1



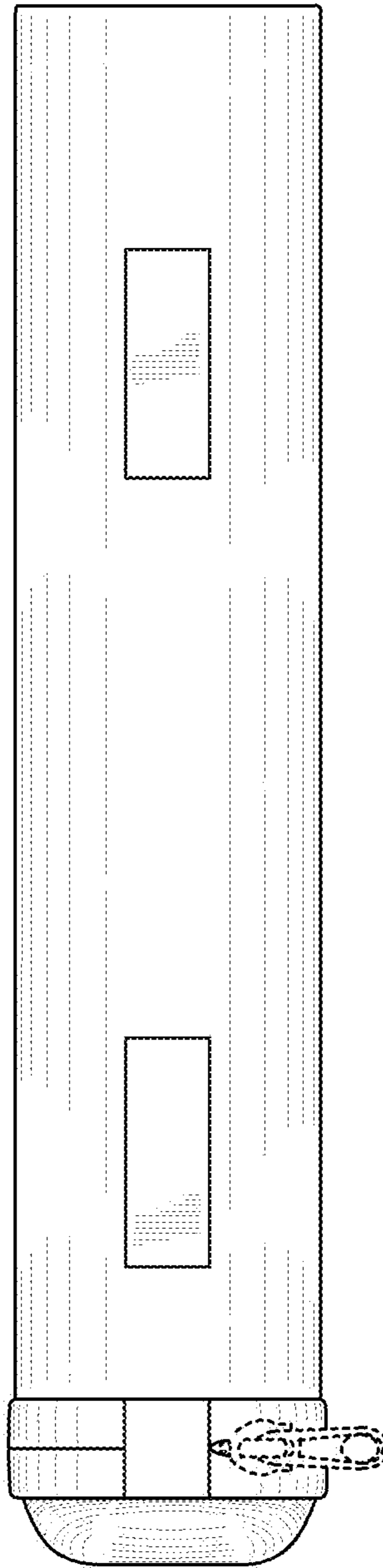
1.2

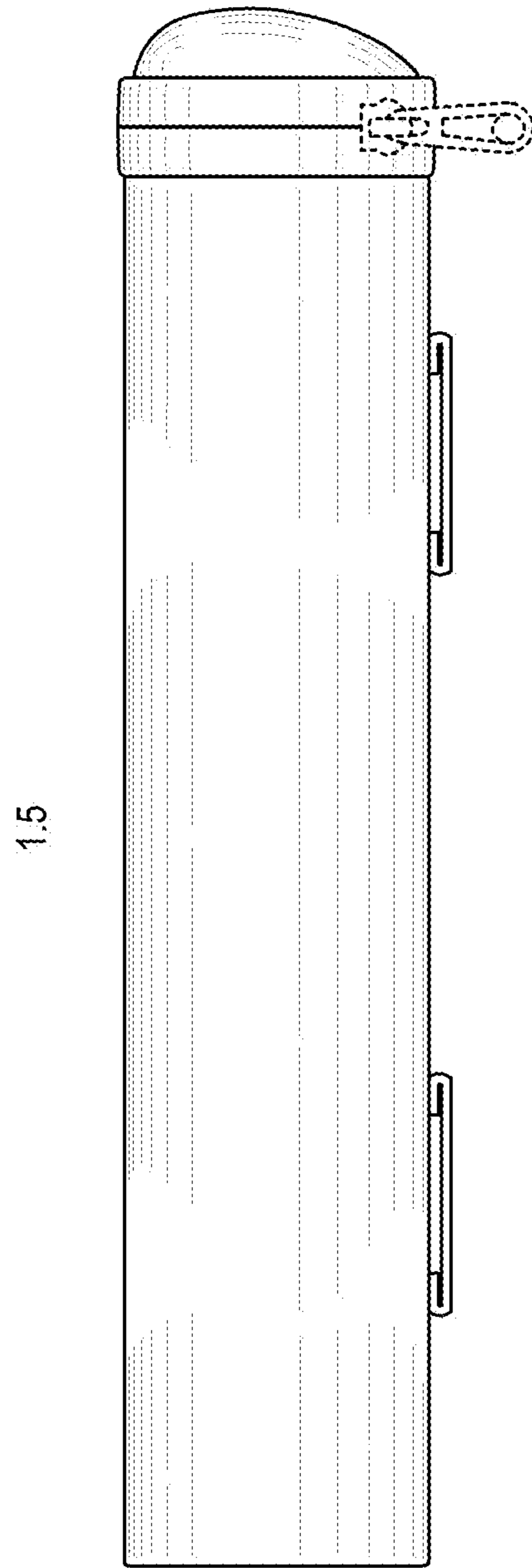


13

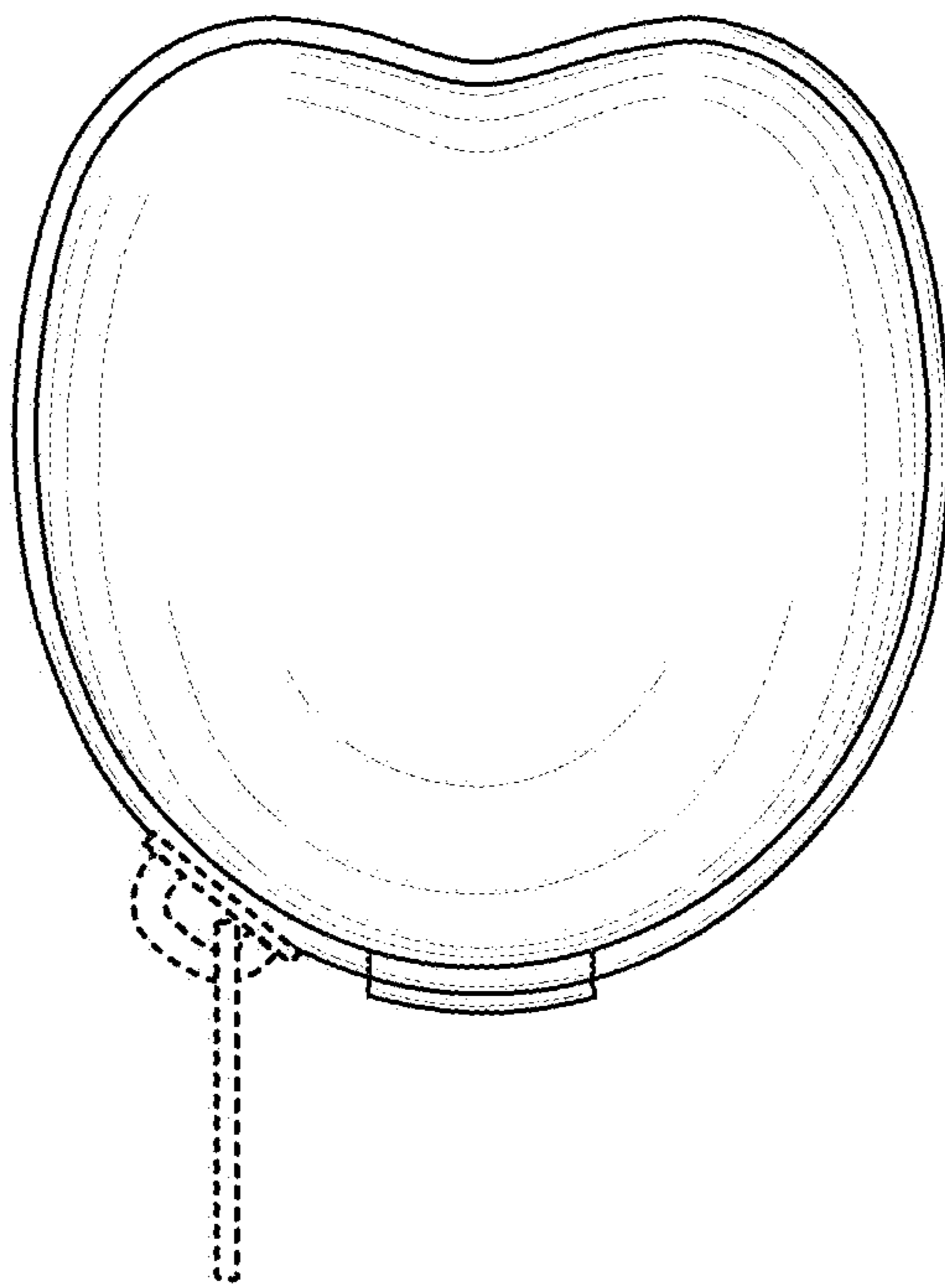


1.4

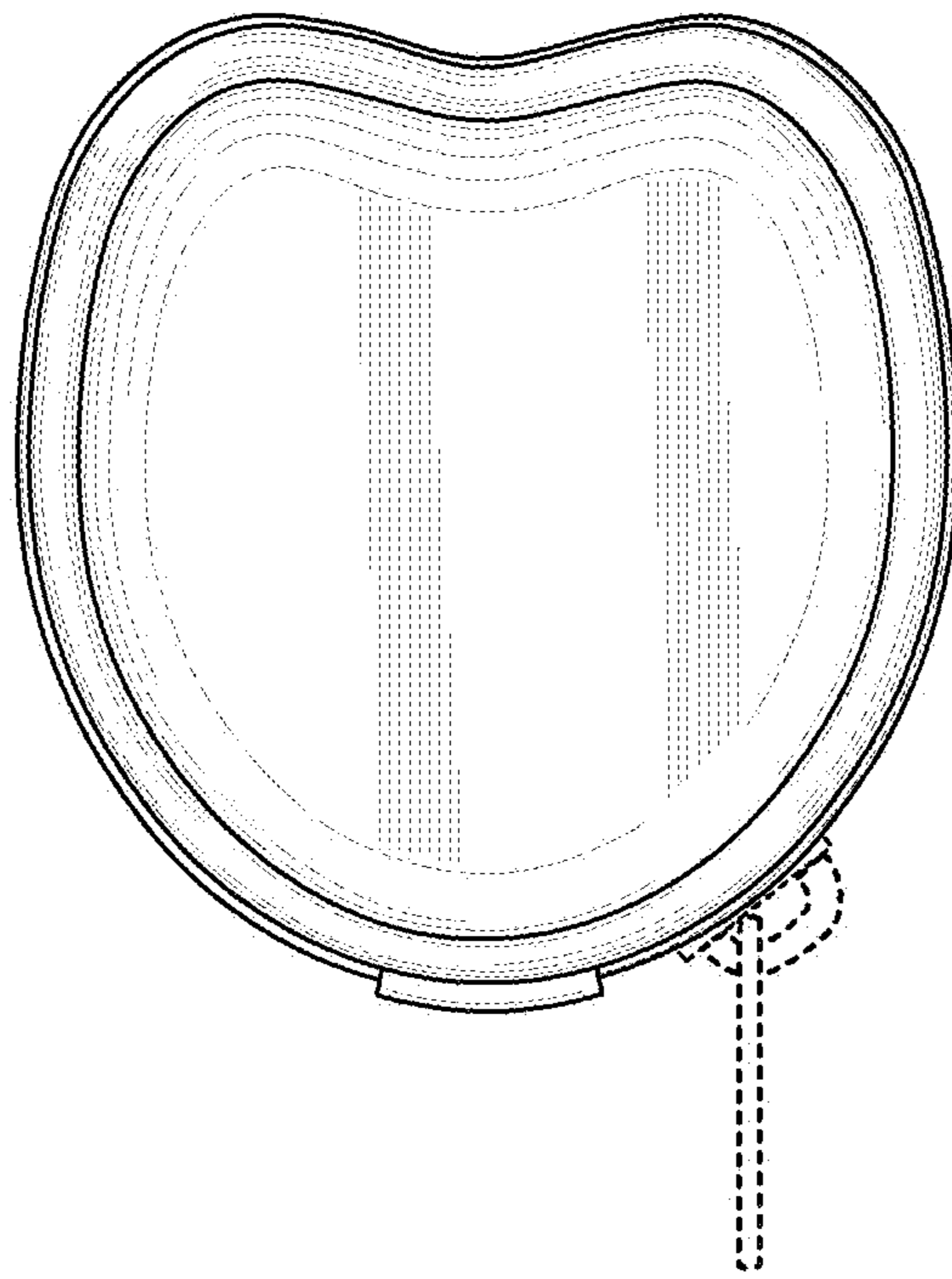




1.6



1.7



1.8

