



US00D860634S

(12) **United States Design Patent** (10) **Patent No.:** **US D860,634 S**
Seiders et al. (45) **Date of Patent:** **** Sep. 24, 2019**

(54) **BAG**
(71) Applicant: **YETI Coolers, LLC**, Austin, TX (US)
(72) Inventors: **Roy Joseph Seiders**, Austin, TX (US);
Dustin Bullock, Austin, TX (US)
(73) Assignee: **YETI Coolers, LLC**, Austin, TX (US)
(**) Term: **15 Years**

4,812,054 A 3/1989 Kirkendall
4,961,522 A 10/1990 Weber
D340,621 S 10/1993 Melk
D340,840 S 11/1993 Melk
5,490,396 A 2/1996 Morris
5,507,542 A 4/1996 Eden
D387,626 S 12/1997 Melk
5,813,445 A 9/1998 Christman
(Continued)

(21) Appl. No.: **29/656,780**
(22) Filed: **Jul. 16, 2018**

FOREIGN PATENT DOCUMENTS

CA 2483802 A1 4/2006
CA 2499291 A1 9/2006
(Continued)

Related U.S. Application Data

(63) Continuation of application No. 29/595,108, filed on Feb. 24, 2017, now Pat. No. Des. 822,997.
(51) **LOC (12) Cl.** **03-01**
(52) **U.S. Cl.**
USPC **D3/201**
(58) **Field of Classification Search**
USPC D3/201, 207, 208, 215, 226, 228, 229,
D3/230, 269, 273, 290, 299, 303, 304,
D3/316, 318; D9/702, 703, 705, 707,
D9/709, 710
CPC B65D 83/384; F41H 9/10
See application file for complete search history.

OTHER PUBLICATIONS

Press Release—Portable Hopper 30 Cooler [online], [retrieved Jun. 14, 2017], Retrieved from Internet <URL: <http://yeti.com/press-releases/hopper-30>>; 2 color sheets, Dated Jul. 9, 2014.
(Continued)

Primary Examiner — Manpreet S Matharu
Assistant Examiner — Holly E Thurman
(74) *Attorney, Agent, or Firm* — Banner & Witcoff, Ltd.

(56) **References Cited**

U.S. PATENT DOCUMENTS

1,001,729 A 8/1911 Buchanan et al.
D107,596 S 12/1937 Felmann
2,575,191 A 11/1951 Seipp
4,116,253 A 9/1978 Watsky
4,211,091 A 7/1980 Campbell
D263,650 S 4/1982 Schimmel
D265,948 S 8/1982 Stark
D281,546 S 12/1985 Bradshaw
4,723,300 A 2/1988 Aranow

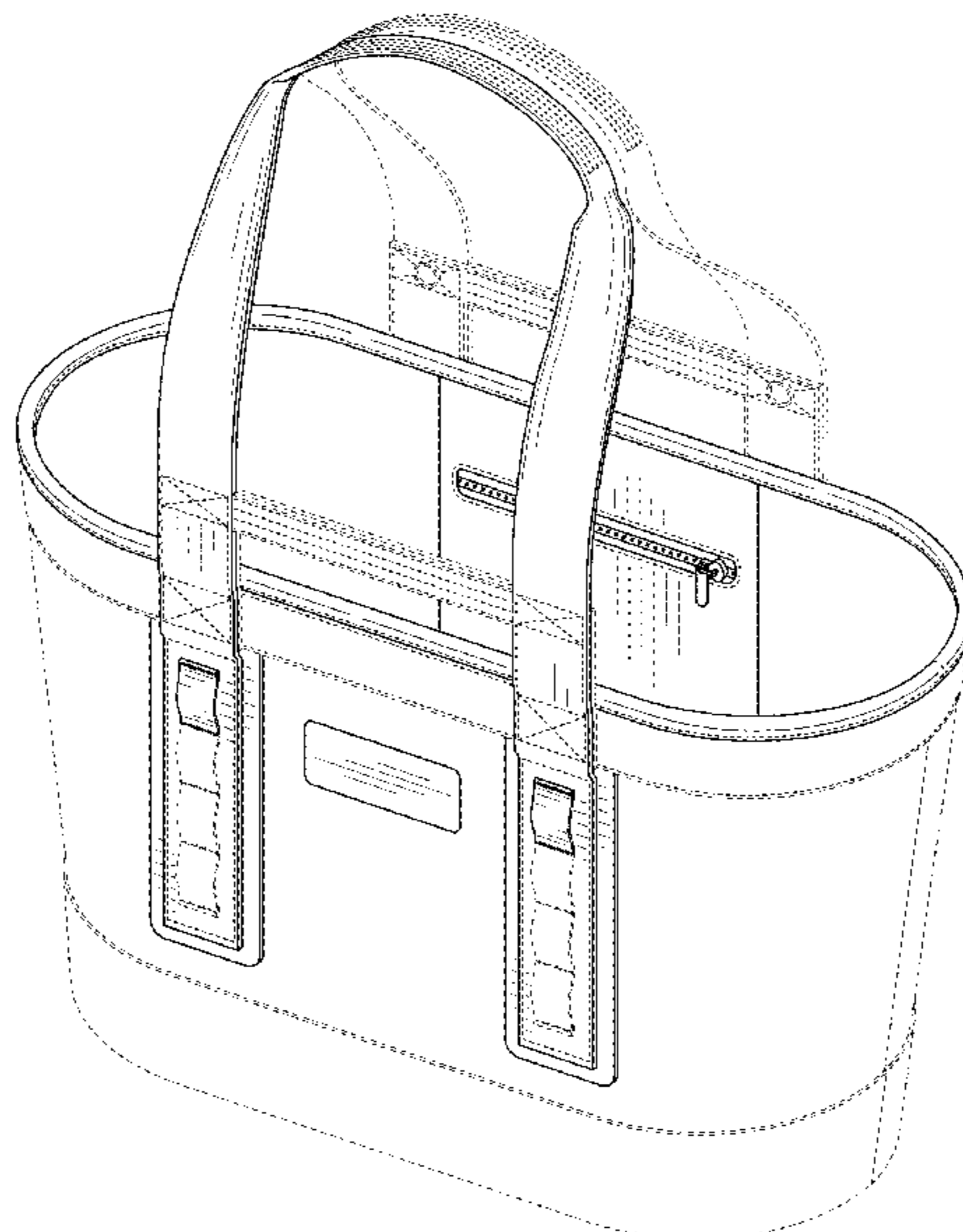
(57) **CLAIM**

The ornamental design for a bag, as shown and described.

DESCRIPTION

FIG. 1 is a top, front, right perspective view of a bag showing our new design;
FIG. 2 is a right side view thereof; and,
FIG. 3 is a left side view thereof.
The broken lines within the shaded area represent stitching.
The broken lines showing the remainder of the bag represent unclaimed subject matter and form no part of the claimed design.

1 Claim, 2 Drawing Sheets



(56)

References Cited

U.S. PATENT DOCUMENTS

5,848,734 A 12/1998 Melk
 D422,411 S 4/2000 Martin
 D447,632 S 9/2001 Gisser
 6,409,066 B1 6/2002 Schneider et al.
 6,640,856 B1 11/2003 Tucker
 D491,354 S 6/2004 Chapelier
 6,810,933 B2 11/2004 Gordon et al.
 7,071,150 B2 7/2006 Genuyt et al.
 7,073,942 B2 7/2006 Vazquez
 D526,120 S 8/2006 Lee et al.
 D535,820 S 1/2007 Kamiya
 D536,170 S 2/2007 Elson
 D582,151 S 12/2008 Gonzalez
 D587,010 S 2/2009 Deck
 7,581,886 B2 9/2009 Nitti
 7,597,478 B2 10/2009 Pruchnicki et al.
 D603,606 S 11/2009 Wang
 D611,706 S 3/2010 Angles et al.
 7,682,080 B2 3/2010 Mogil
 D617,553 S 6/2010 Shaw
 7,762,294 B2 7/2010 Wang
 D621,609 S 8/2010 Hasty
 D626,329 S 11/2010 Chapelier
 D629,612 S 12/2010 Weldon
 D630,844 S 1/2011 Wang et al.
 D632,074 S 2/2011 Chan et al.
 D637,809 S 5/2011 Meldeau
 D651,397 S 1/2012 Lett
 8,092,087 B2 1/2012 Simhony et al.
 8,132,601 B2 3/2012 Wang
 D663,522 S 7/2012 Schiffman
 D673,772 S 1/2013 Munson et al.
 D684,767 S 6/2013 Gerbi
 D686,412 S 7/2013 Guichot
 D690,100 S 9/2013 Alfaks
 D695,568 S 12/2013 Hayes
 D701,041 S 3/2014 Burnett
 D711,096 S 8/2014 Hanna
 D711,098 S 8/2014 Rossignuolo
 D711,100 S 8/2014 Dingizian
 D715,544 S 10/2014 Levine
 D717,040 S 11/2014 Swartzel et al.
 D717,041 S 11/2014 Pulliam
 D718,931 S 12/2014 Brundl
 D732,348 S 6/2015 Seiders et al.
 D732,349 S 6/2015 Seiders et al.
 D732,350 S 6/2015 Seiders et al.
 D732,899 S 6/2015 Seiders et al.
 D739,654 S 9/2015 Brouard
 D743,699 S 11/2015 Wieden
 D745,268 S 12/2015 Slimane
 9,254,022 B2 2/2016 Meldeau et al.
 D752,347 S 3/2016 Seiders et al.
 D752,860 S 4/2016 Barilaro et al.
 9,307,814 B2 4/2016 Pulliam
 D758,717 S 6/2016 Joo et al.
 D758,731 S 6/2016 Noh
 D760,494 S 7/2016 Harvey-Pankey
 D761,561 S 7/2016 Cheng
 D762,378 S 8/2016 Domotor et al.
 D763,570 S 8/2016 Potts
 D763,575 S 8/2016 Tiscareno-Rippe et al.
 D764,791 S 8/2016 Patel
 D765,394 S 9/2016 Moore
 D768,987 S 10/2016 Blumenfeld
 D769,616 S 10/2016 Keene
 D770,759 S 11/2016 Gamble et al.
 D770,763 S 11/2016 Joo et al.
 D773,813 S 12/2016 Jakubowski
 D774,747 S 12/2016 Gamble et al.
 D776,929 S 1/2017 Noh
 D778,045 S 2/2017 Ruddis
 9,578,937 B2 2/2017 Kern et al.
 D782,820 S 4/2017 Thompson
 D784,010 S 4/2017 Dumas

D785,325 S 5/2017 Samrelius et al.
 D785,930 S 5/2017 Sassi
 D786,559 S * 5/2017 Seiders D3/318
 D786,560 S * 5/2017 Seiders D3/318
 D786,561 S 5/2017 Seiders et al.
 D786,562 S * 5/2017 Seiders D3/318
 D787,187 S 5/2017 Seiders et al.
 D787,818 S 5/2017 Gerbelle
 D787,823 S 5/2017 Nair
 D789,080 S 6/2017 Caffagni
 D789,081 S 6/2017 Sassi
 D789,082 S 6/2017 Barilaro et al.
 D797,454 S * 9/2017 Seiders D3/318
 D797,455 S * 9/2017 Seiders D3/318
 D798,670 S 10/2017 Seiders et al.
 D799,276 S 10/2017 Seiders et al.
 D799,277 S * 10/2017 Seiders D7/607
 D802,297 S 11/2017 Dumas
 D802,373 S * 11/2017 Seiders D7/607
 D805,851 S * 12/2017 Sullivan D7/607
 D808,157 S 1/2018 Viger et al.
 D808,655 S 1/2018 Seiders et al.
 D808,730 S * 1/2018 Sullivan D7/607
 D811,746 S * 3/2018 Seiders D3/318
 D814,793 S 4/2018 Dean
 D814,879 S * 4/2018 Larson D7/607
 D817,106 S * 5/2018 Larson D7/607
 D817,107 S * 5/2018 Larson D7/607
 D819,967 S 6/2018 Carter et al.
 D821,092 S 6/2018 Starck
 D821,094 S 6/2018 Dragicevic
 D821,825 S * 7/2018 Sullivan D7/607
 D822,987 S * 7/2018 Seiders D3/246
 D822,997 S * 7/2018 Seiders D3/318
 D822,998 S * 7/2018 Seiders D3/318
 D822,999 S * 7/2018 Seiders D3/318
 D823,601 S * 7/2018 Seiders D3/318
 D823,602 S * 7/2018 Seiders D3/318
 D824,731 S * 8/2018 Sullivan D7/607
 2005/0028910 A1 2/2005 Duty
 2006/0198562 A1 9/2006 Mogil
 2006/0201979 A1 9/2006 Achilles
 2010/0084443 A1 4/2010 Adelman
 2010/0200450 A1 8/2010 Weed
 2010/0282378 A1 11/2010 Scozzafava
 2011/0036473 A1 2/2011 Chan et al.
 2011/0167863 A1 7/2011 Herrbold
 2011/0283519 A1 11/2011 Pranger
 2011/0311166 A1 12/2011 Pascua
 2012/0328220 A1 12/2012 Kayata
 2014/0369629 A1 12/2014 De La Fuente Lara
 2015/0225164 A1 8/2015 Seiders et al.
 2015/0265020 A1 9/2015 McCue et al.
 2016/0338462 A1 11/2016 Hayashi
 2017/0071304 A1 3/2017 Wang
 2017/0099920 A1 4/2017 Bailey

FOREIGN PATENT DOCUMENTS

CA 2548064 A1 11/2007
 CN 2188899 Y 2/1995
 CN 1378928 A 11/2002
 CN 302137314 10/2012
 CN 302868215 7/2014
 CN 302877656 7/2014
 CN 304154180 6/2017
 CN 304181831 6/2017
 CN 304207295 7/2017
 CN 304342577 11/2017
 CN 304527075 3/2018
 EM 000122668-0002 5/2004
 EM 001067250-0003 2/2009
 EM 01188460-0003 2/2010
 EM 001188460-0004 2/2010
 EM 001909490-0001 8/2011
 EM 001952722-0008 11/2011
 EM 002073452-0001 8/2012
 EM 002085308-0003 8/2012
 EM 002163527-0017 1/2013

(56)

References Cited

FOREIGN PATENT DOCUMENTS

EM	002225706-0001	5/2013
EM	002262436-0001	7/2013
EM	002264697-0002	7/2013
EM	002284729-0004	8/2013
EM	002476853-0001	6/2014
EM	002476853-0002	6/2014
EM	002530519-0001	9/2014
EM	002605345-0004	12/2014
EM	002609404-0001	1/2015
EM	002676536-0001	6/2015
EM	003117324-0009	5/2016
EM	003329929-0001	8/2016
EM	003409044-0008	10/2016
EM	003504331-0027	12/2016
EM	003733021-0001	2/2017
EP	0037545 A2	10/1981
EP	1386557 A1	2/2004
EP	003811264-0010	3/2017
EP	003841857-0002	4/2017
EP	004122430-0001	8/2017
EP	004162337-0001	9/2017
EP	004162337-0002	9/2017
EP	004162337-0003	9/2017
EP	004162337-0004	9/2017
EP	004162337-0005	9/2017
EP	004162337-0006	9/2017
EP	004424059-0002	10/2017
EP	004417749-0003	11/2017
EP	004494086-0016	11/2017
EP	004494086-0017	11/2017
EP	002719245-0001	1/2018
EP	005269248-0002	5/2018
EP	005303559-0001	7/2018

EP	005303559-0003	7/2018
FR	1113757 A	4/1956
WO	07071150 A1	6/2007
WO	17017596 A1	2/2017
WO	17079315 A1	5/2017
WO	17088278 A1	6/2017
WO	17132598 A1	8/2017

OTHER PUBLICATIONS

Yeti Reinvents the Hopper [online], [retrieved Jun. 14, 2017], Retrieved from Internet <URL: <http://yeti.com/press-releases/hopper-two-soft-cooler>>; 2 color sheets, Dated Feb. 1, 2017.
 U.S. Appl. No. 29/648,869, filed Jul. 16, 2018 by Roy Joseph Seiders and Dustin Bullock.
 U.S. Appl. No. 29/656,776, filed Jul. 16, 2018 by Roy Joseph Seiders and Dustin Bullock.
 U.S. Appl. No. 29/656,782, filed Jul. 16, 2018 by Roy Joseph Seiders and Dustin Bullock.
 U.S. Appl. No. 29/656,786, filed Jul. 16, 2018 by Roy Joseph Seiders and Dustin Bullock.
 U.S. Appl. No. 29/660,134, filed Aug. 17, 2018 by Roy Joseph Seiders and Dustin Bullock.
 U.S. Appl. No. 29/660,156, filed Aug. 17, 2018 by y Roy Joseph Seiders and Dustin Bullock.
 U.S. Appl. No. 29/660,160, filed Aug. 17, 2018 by Roy Joseph Seiders and Dustin Bullock.
 U.S. Appl. No. 29/660,165, filed Aug. 17, 2018 by Roy Joseph Seiders and Dustin Bullock.
 RTIC, "RTIC Large Beach Bag" (<https://www.amazon.com/RTIC-Large-Beach-Bag/dp/B07FQYKF8Q?th=1>), first available online Jul. 20, 2018. (Year: 2018).

* cited by examiner

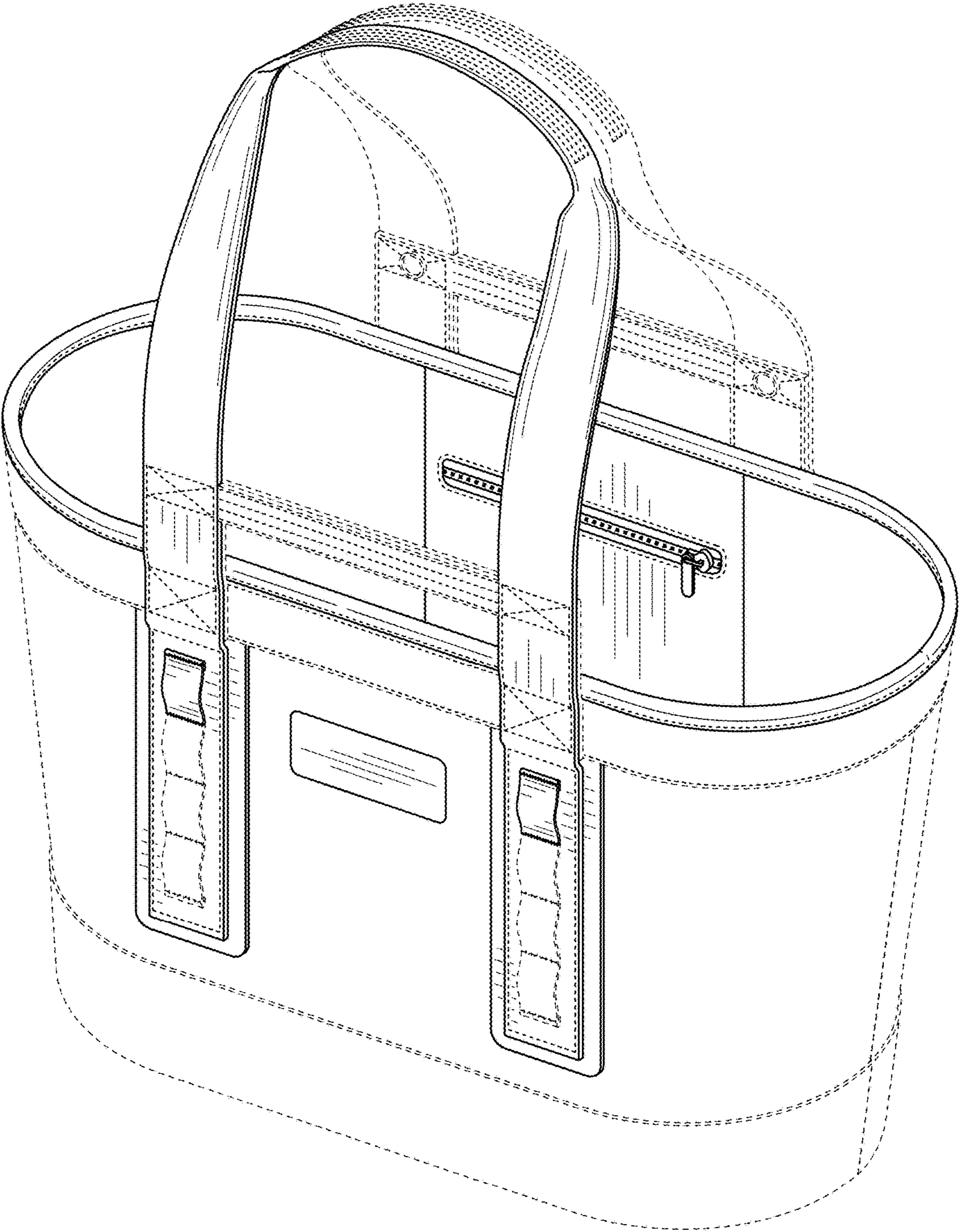


FIG. 1

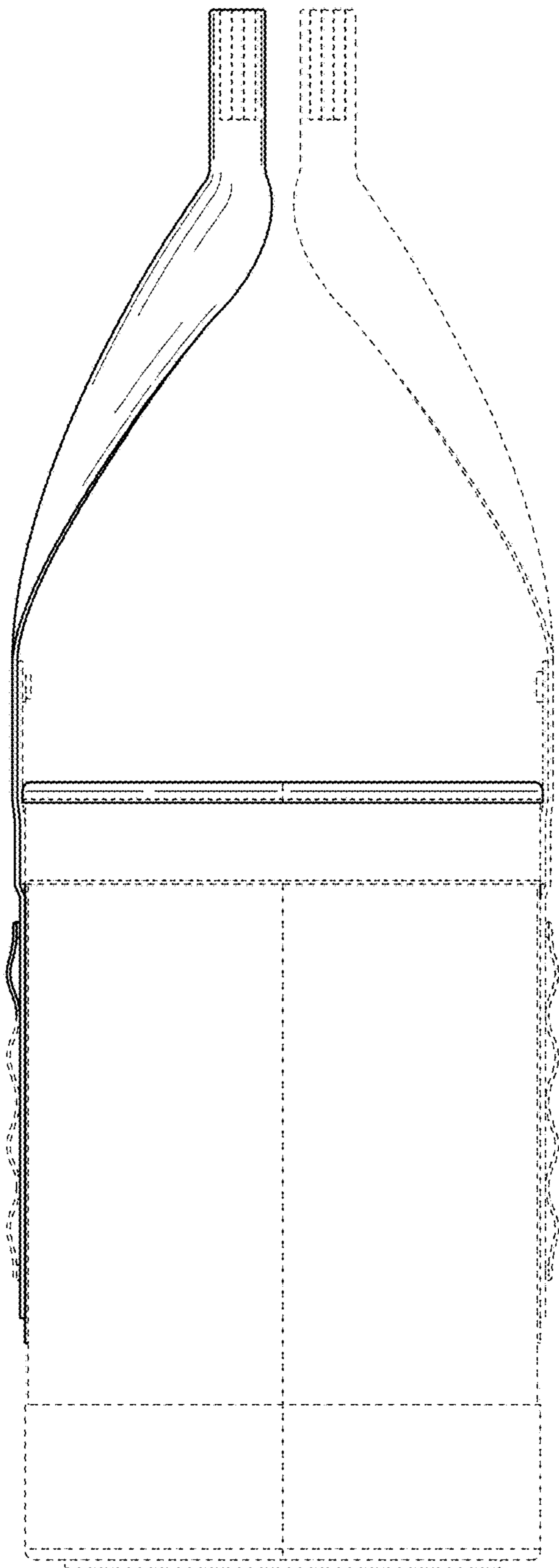


FIG. 2

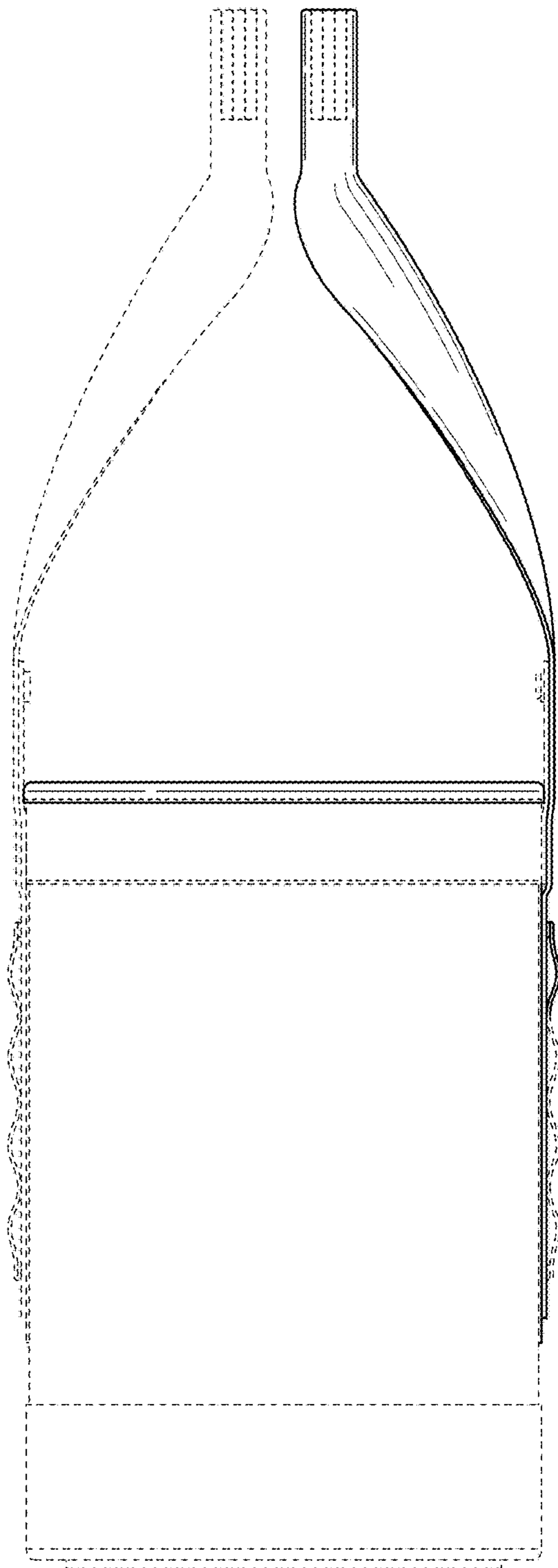


FIG. 3