



US00D860633S

(12) **United States Design Patent** (10) **Patent No.:** **US D860,633 S**
Schaumann et al. (45) **Date of Patent:** **** *Sep. 24, 2019**

- (54) **PIN**
- (71) Applicant: **DPG USA Inc.**, Schaumburg, IL (US)
- (72) Inventors: **Daniel Schaumann**, Chicago, IL (US);
Nikhil Gupta, Schaumburg, IL (US)
- (73) Assignee: **DPG USA INC.**, Schaumburg, IL (US)
- (*) Notice: This patent is subject to a terminal disclaimer.
- (**) Term: **15 Years**
- (21) Appl. No.: **29/623,581**
- (22) Filed: **Oct. 25, 2017**
- (51) **LOC (12) Cl.** **02-07**
- (52) **U.S. Cl.**
USPC **D3/28**
- (58) **Field of Classification Search**
USPC D3/18, 28; D19/65; D8/388, 391;
D11/206, 207, 46, 47
CPC . A61B 17/06; D04B 3/00; D04B 3/02; D04B
33/00; D04B 35/02; D04D 11/00; B21G
1/00; D05B 85/00
See application file for complete search history.

(56) **References Cited**

U.S. PATENT DOCUMENTS

D253,000 S *	9/1979	Hanson	D21/323
D272,764 S *	2/1984	Dohogne	D24/155
D286,677 S *	11/1986	Osborne	D24/112
D389,868 S *	1/1998	Voorhees	D19/65
D454,591 S *	3/2002	Vidmar	D19/65
D526,061 S *	8/2006	Nam	D24/146
D545,562 S *	7/2007	Feller	D3/28
D571,098 S *	6/2008	Jones	D3/28
D582,481 S *	12/2008	Vaughn	D19/65
D597,297 S *	8/2009	Pfaff	D3/28
D599,542 S *	9/2009	Hoffman	D3/28
D604,500 S *	11/2009	Buday	D3/28

D606,298 S *	12/2009	Sullivan	D3/28
D658,490 S *	5/2012	Lien	D8/388
D708,578 S *	7/2014	Yoo	D13/133
D710,008 S *	7/2014	Yoo	D24/146
D735,470 S *	8/2015	Rastogi	D3/28
D767,127 S *	9/2016	de Beer	D24/130
D822,373 S *	7/2018	Elalouf	D3/28
D831,213 S *	10/2018	Kuun	D24/147
D840,600 S *	2/2019	Nathaniel	D28/37
2003/0225431 A1 *	12/2003	Yoo	A61H 39/00 606/189
2006/0241670 A1 *	10/2006	Zhu	A61H 39/08 606/189

* cited by examiner

Primary Examiner — John Windmuller

Assistant Examiner — Steven J Czyz

(74) *Attorney, Agent, or Firm* — Robert S. Alexander;
Ferrells, PLLC; Anna L. Kinney

(57) **CLAIM**

The ornamental design for a pin, as shown and described.

DESCRIPTION

The claimed Pin is used for sewing and is well adapted to be stored in a Pin Box or Pin Case as disclosed in co-pending U.S. Design application Ser. No. 29/623,579 and as part of the Ensemble disclosed and claimed in co-pending U.S. Design application Ser. No. 29/623,584, both filed of even date herewith and both being incorporated herein by reference in their entirety.

FIG. 1 is a perspective view of a pin;

FIG. 2 is a plan view thereof;

FIG. 3 is a left side view thereof;

FIG. 4 is a right side view thereof; and,

FIG. 5 is a perspective view of the pin shown with environment.

The broken lines depict environment that forms no part of the claimed design.

1 Claim, 2 Drawing Sheets

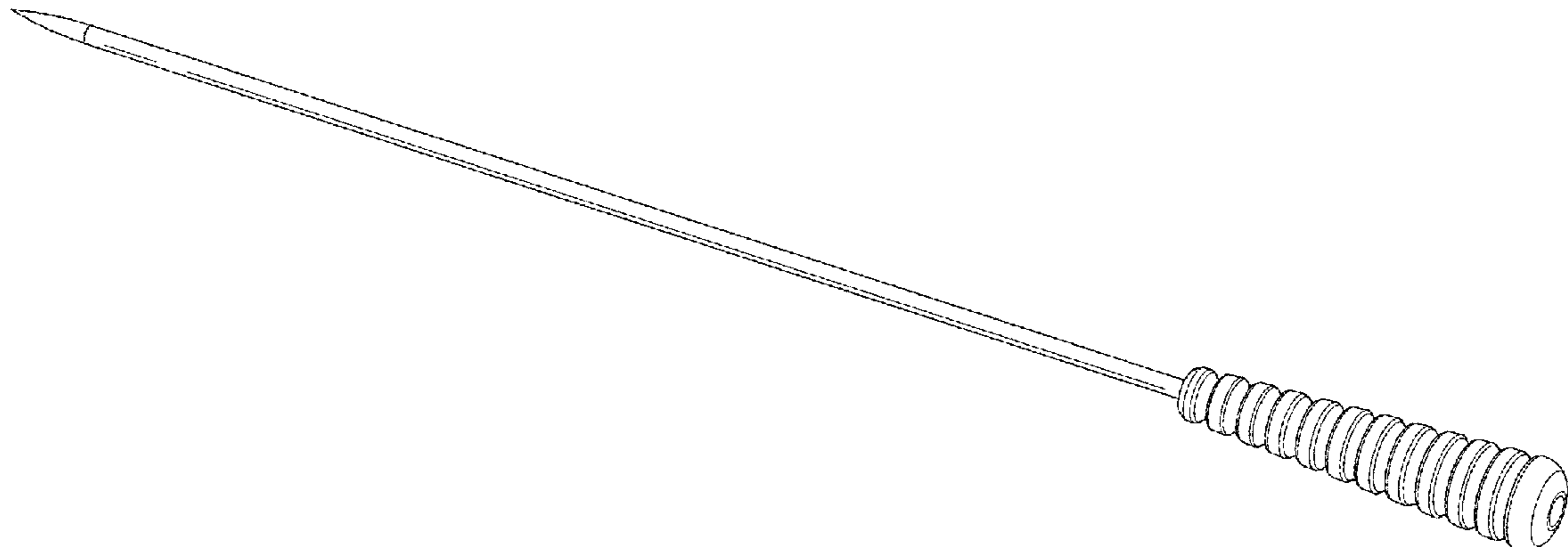


FIG. 1

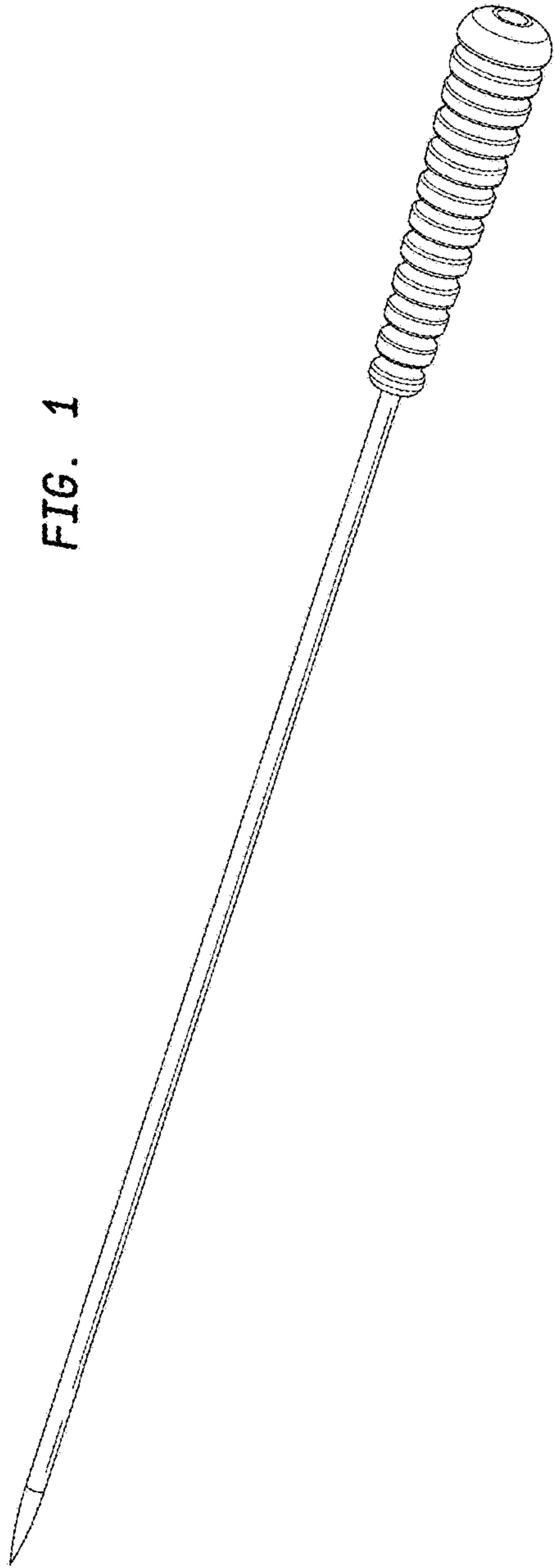


FIG. 2

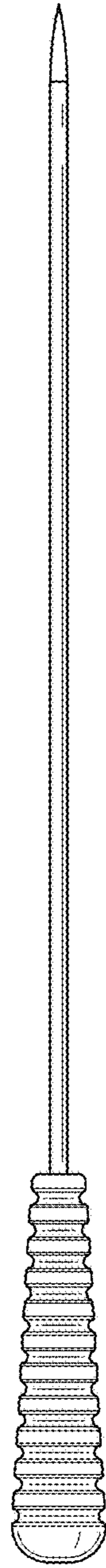


FIG. 4

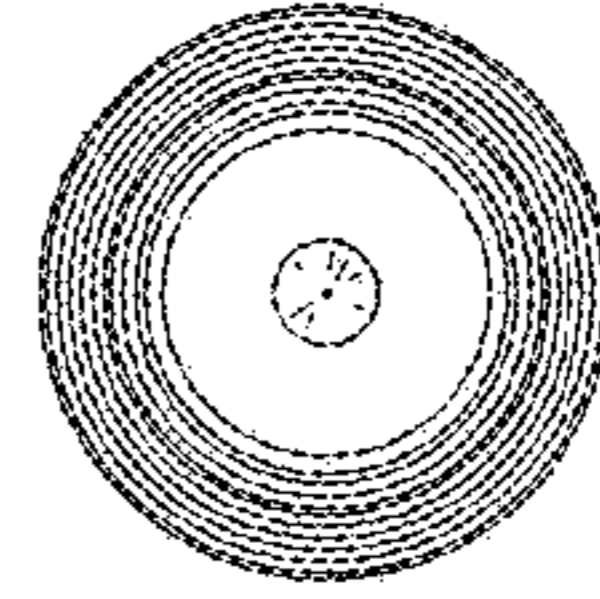


FIG. 3

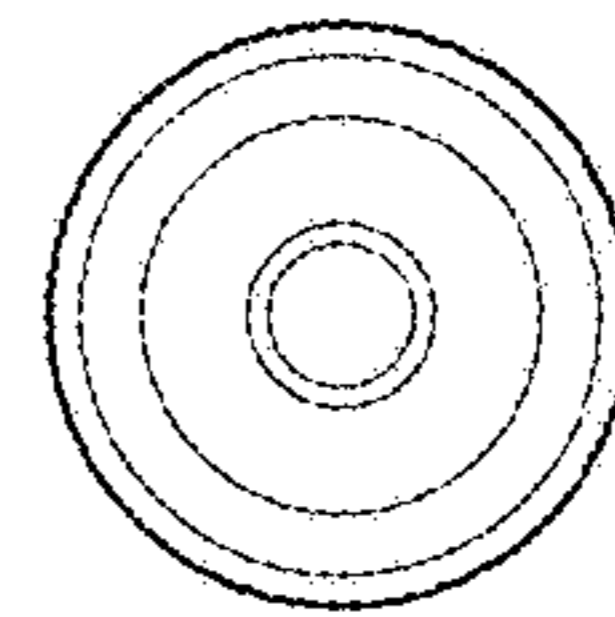


FIG. 5

