



US00D860632S

(12) **United States Design Patent**
Thomas

(10) **Patent No.:** **US D860,632 S**

(45) **Date of Patent:** **** Sep. 24, 2019**

- (54) **NEEDLEWORK STAND**
- (71) Applicant: **Julie Thomas**, Evans Mills, NY (US)
- (72) Inventor: **Julie Thomas**, Evans Mills, NY (US)
- (73) Assignee: **THE OLD TATTERED FLAG, LLC**,
Evans Mills, NY (US)
- (**) Term: **15 Years**
- (21) Appl. No.: **29/648,826**
- (22) Filed: **May 24, 2018**
- (51) **LOC (12) Cl.** **02-07**
- (52) **U.S. Cl.**
USPC **D3/26**
- (58) **Field of Classification Search**
USPC D3/18, 20, 26; D6/310, 641, 656,
D6/656.11, 656.16, 700, 685, 688.14, 691
CPC .. A47B 3/00; A47B 3/02; A47B 29/00; A47B
31/04; D05B 21/00; D05B 75/00; D05B
75/06

See application file for complete search history.

(56) **References Cited**

U.S. PATENT DOCUMENTS

- 3,955,722 A * 5/1976 Bard D05C 1/04
223/106
- D244,754 S * 6/1977 Bard 289/18.1
- D244,755 S * 6/1977 Bard 38/102.2
- 4,043,270 A * 8/1977 Miner D06C 3/08
38/102.91
- 4,102,065 A * 7/1978 Selden D05C 1/02
108/43
- D250,238 S * 11/1978 Minsky D6/686
- 4,175,343 A * 11/1979 Mathews D06C 3/08
269/51
- 4,292,748 A * 10/1981 Miller D05C 1/02
108/43
- D266,799 S * 11/1982 Mace D3/23

- 4,549,366 A * 10/1985 Gerding D05C 1/04
38/102.2
- D284,044 S * 6/1986 Di Martino D3/26
- D286,343 S * 10/1986 Geisler D3/26
- 4,944,105 A * 7/1990 Schulle D05C 1/02
38/102
- 5,027,989 A * 7/1991 Nevius D05C 1/02
108/4
- D318,756 S * 8/1991 Schulle D3/18
- 5,351,424 A * 10/1994 Schulle D05C 1/02
359/800
- 5,483,901 A * 1/1996 Tisbo A47B 3/02
108/119
- D378,029 S * 2/1997 Clark D6/682.3
- 5,640,789 A * 6/1997 Spurgeon D05C 1/02
248/465.1
- D410,910 S * 6/1999 Martell D14/457
- 6,042,065 A * 3/2000 Benjamin D05C 1/00
248/125.1
- D441,562 S * 5/2001 Tapscott D19/91

(Continued)

Primary Examiner — John Windmuller
Assistant Examiner — Steven J Czyz
(74) *Attorney, Agent, or Firm* — Hodgson Russ LLP

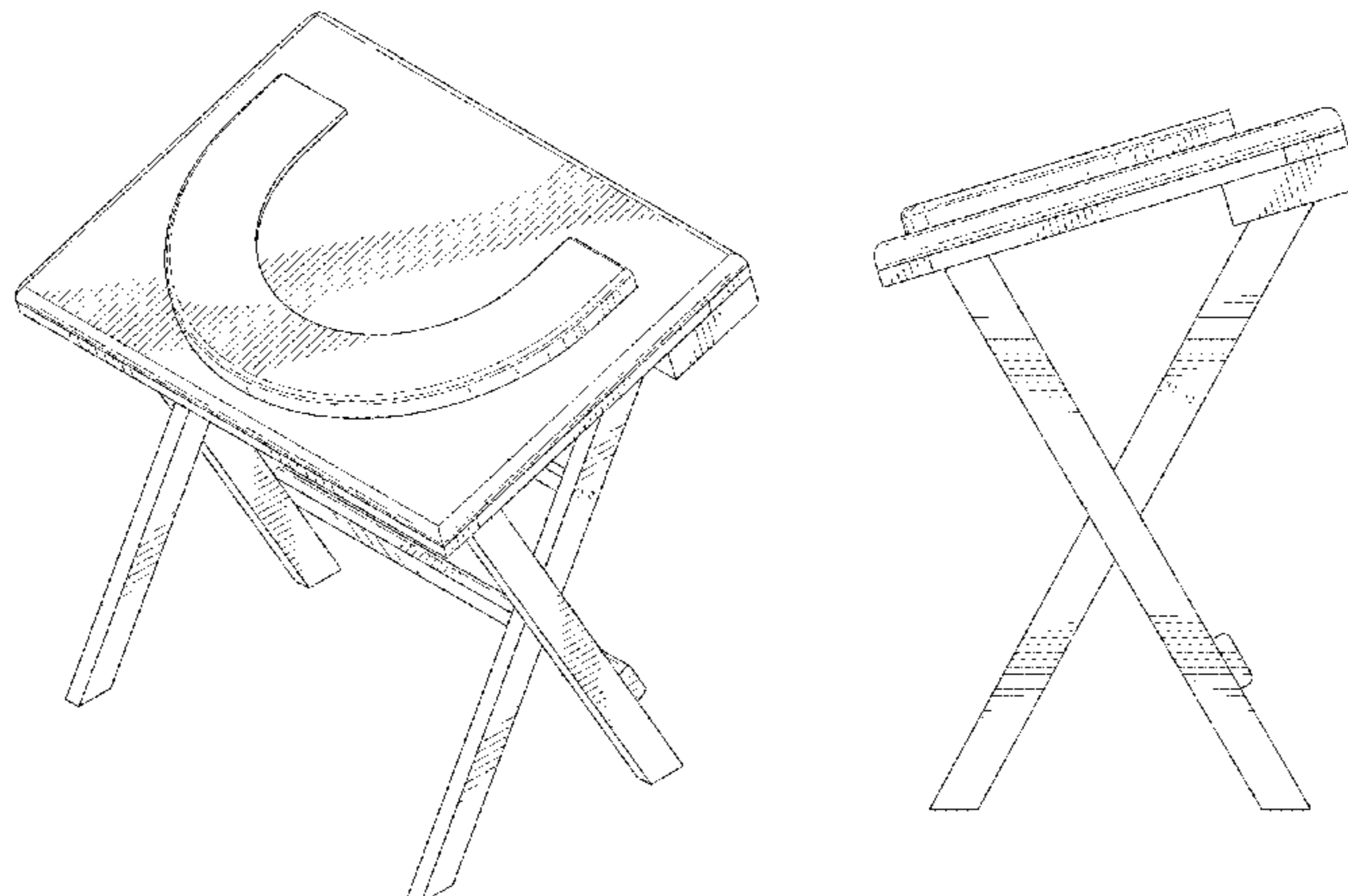
(57) **CLAIM**

The ornamental design for a needlework stand, as shown and described.

DESCRIPTION

FIG. 1 is a perspective view of a needlework stand, showing my new design;
FIG. 2 is a top plan view thereof;
FIG. 3 is a bottom plan view thereof;
FIG. 4 is a front elevation view thereof;
FIG. 5 is a rear elevation view thereof;
FIG. 6 is a right side elevation view thereof; and,
FIG. 7 is a left side elevation view thereof.
The broken lines depict unclaimed features of the needlework stand that form no part of the claimed design.

1 Claim, 7 Drawing Sheets



(56)

References Cited

U.S. PATENT DOCUMENTS

D474,013 S * 5/2003 Miller D3/20
D635,797 S * 4/2011 Xingyin D6/656.11
D638,638 S * 5/2011 Fitzpatrick D6/656.11
D688,901 S * 9/2013 Colson D6/656
D775,877 S * 1/2017 Lin D6/691
D806,446 S * 1/2018 Benden D6/656

* cited by examiner

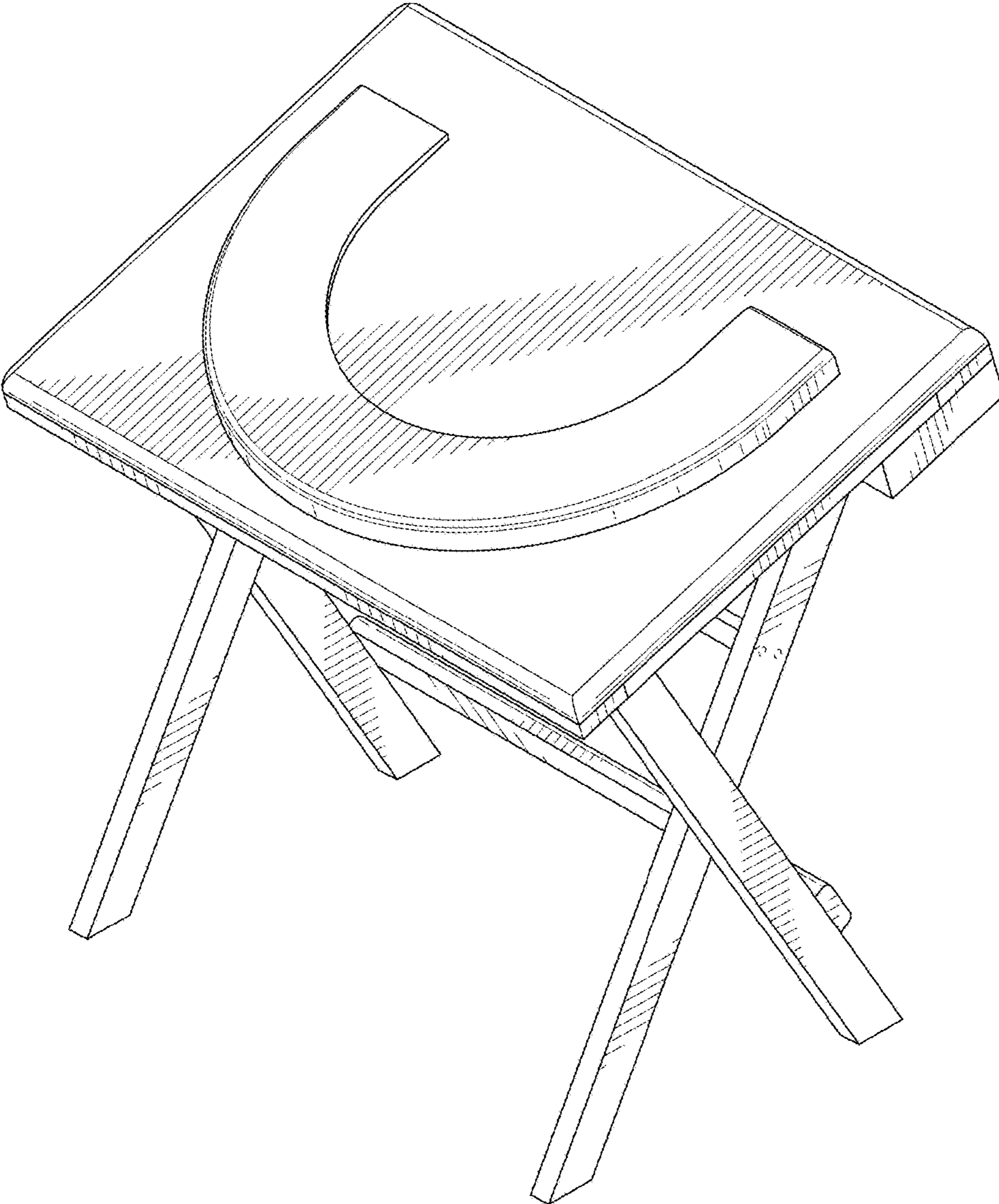


FIG. 1

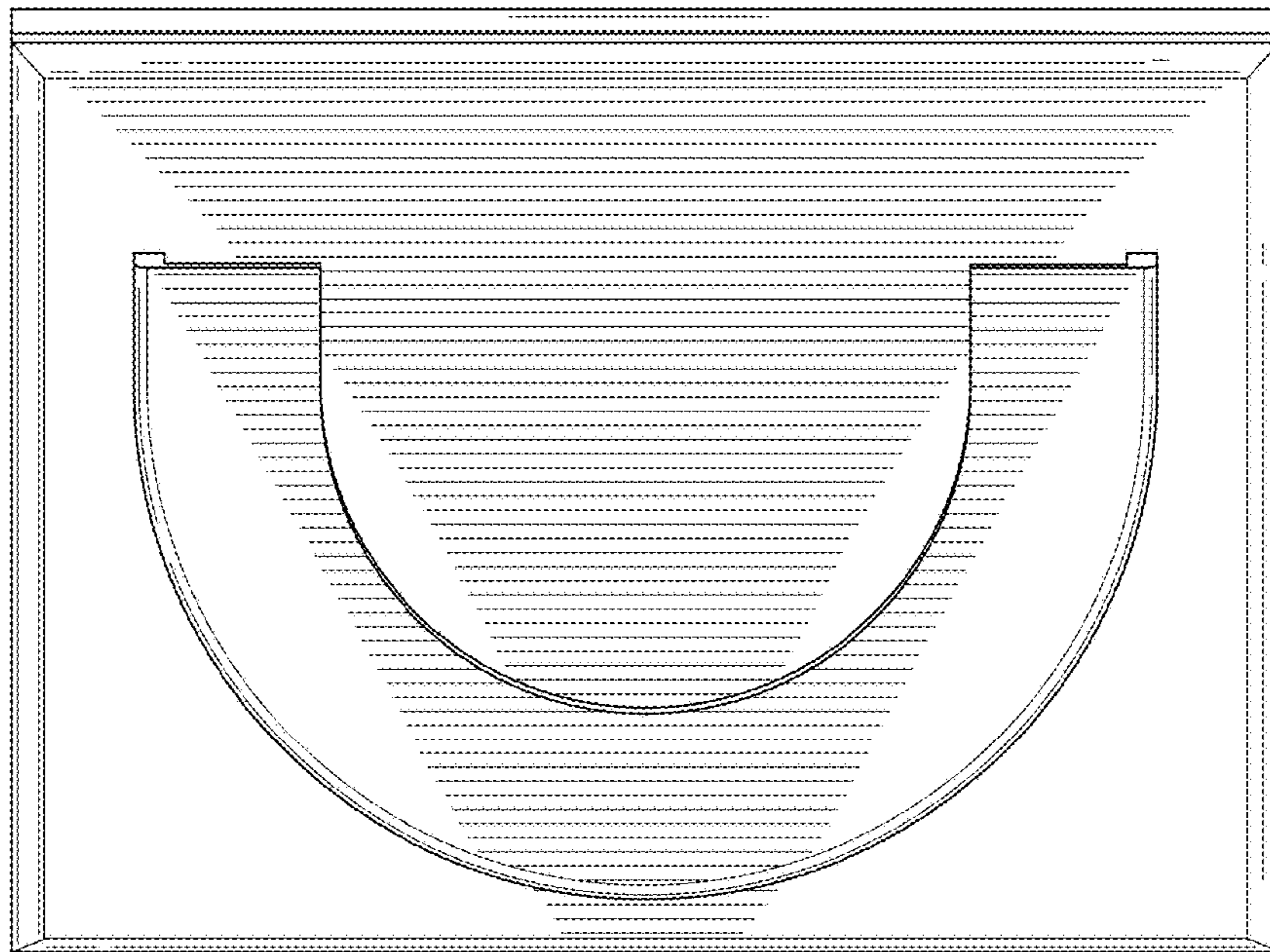


FIG. 2

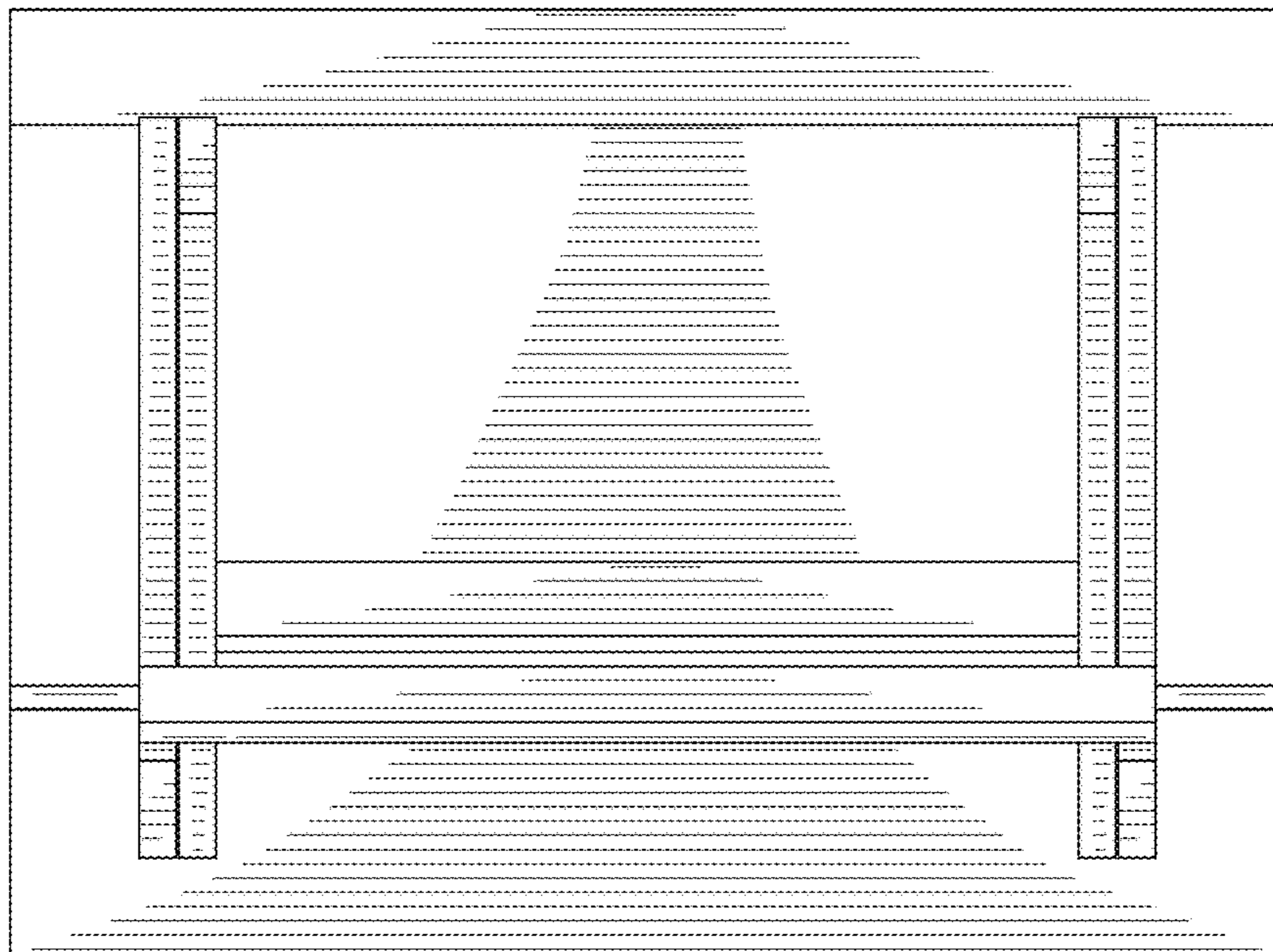


FIG. 3

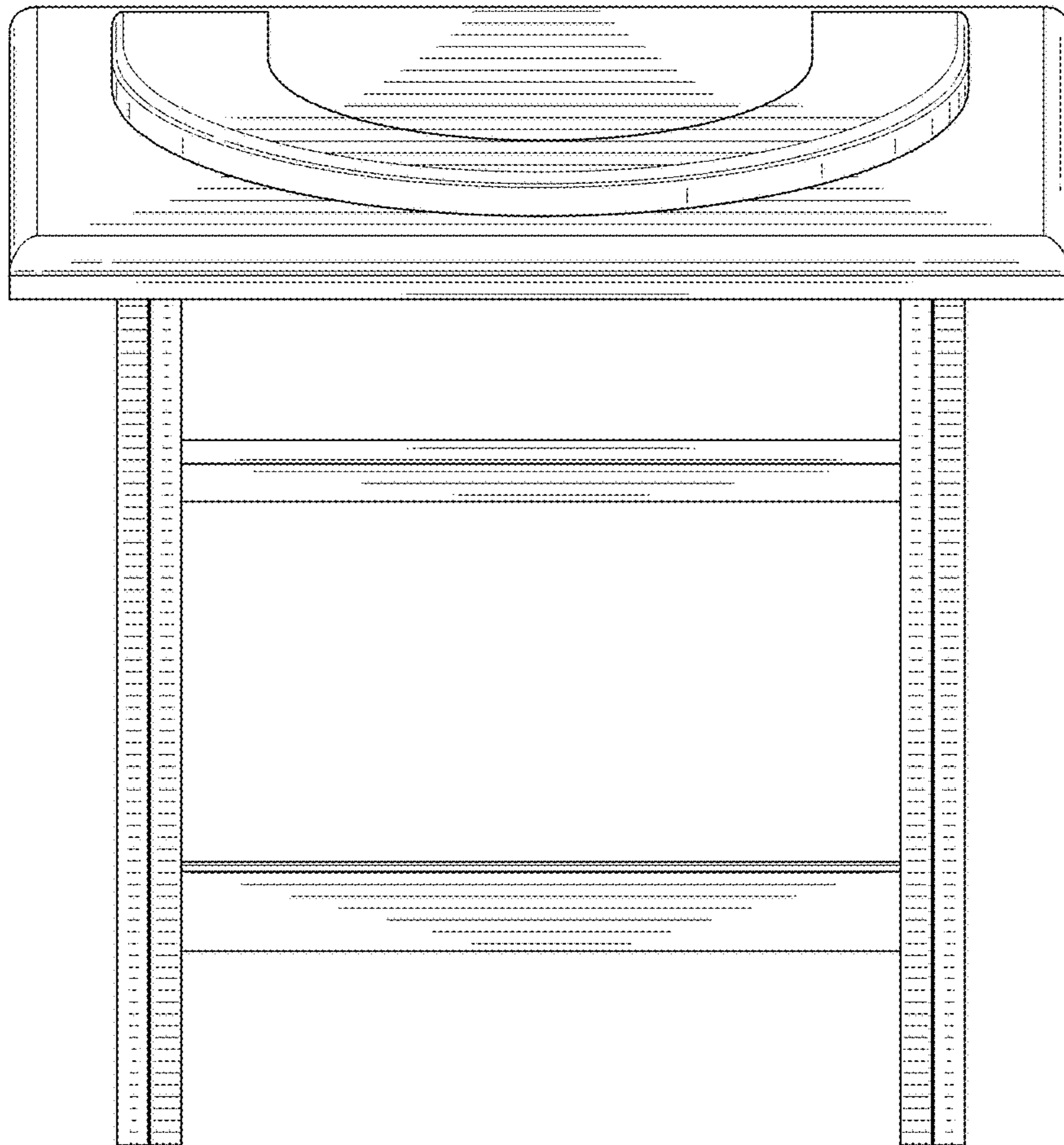


FIG. 4

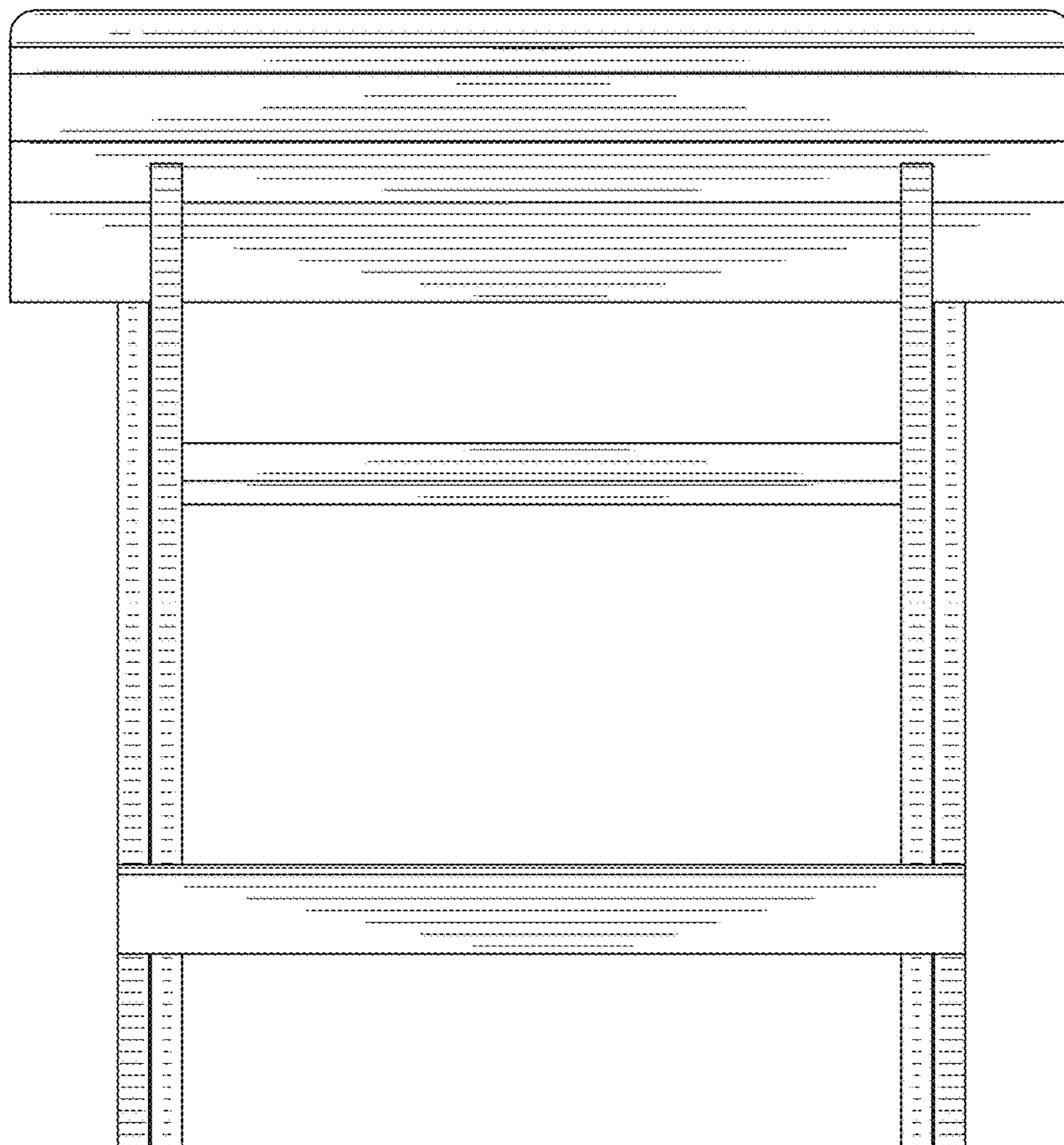


FIG. 5

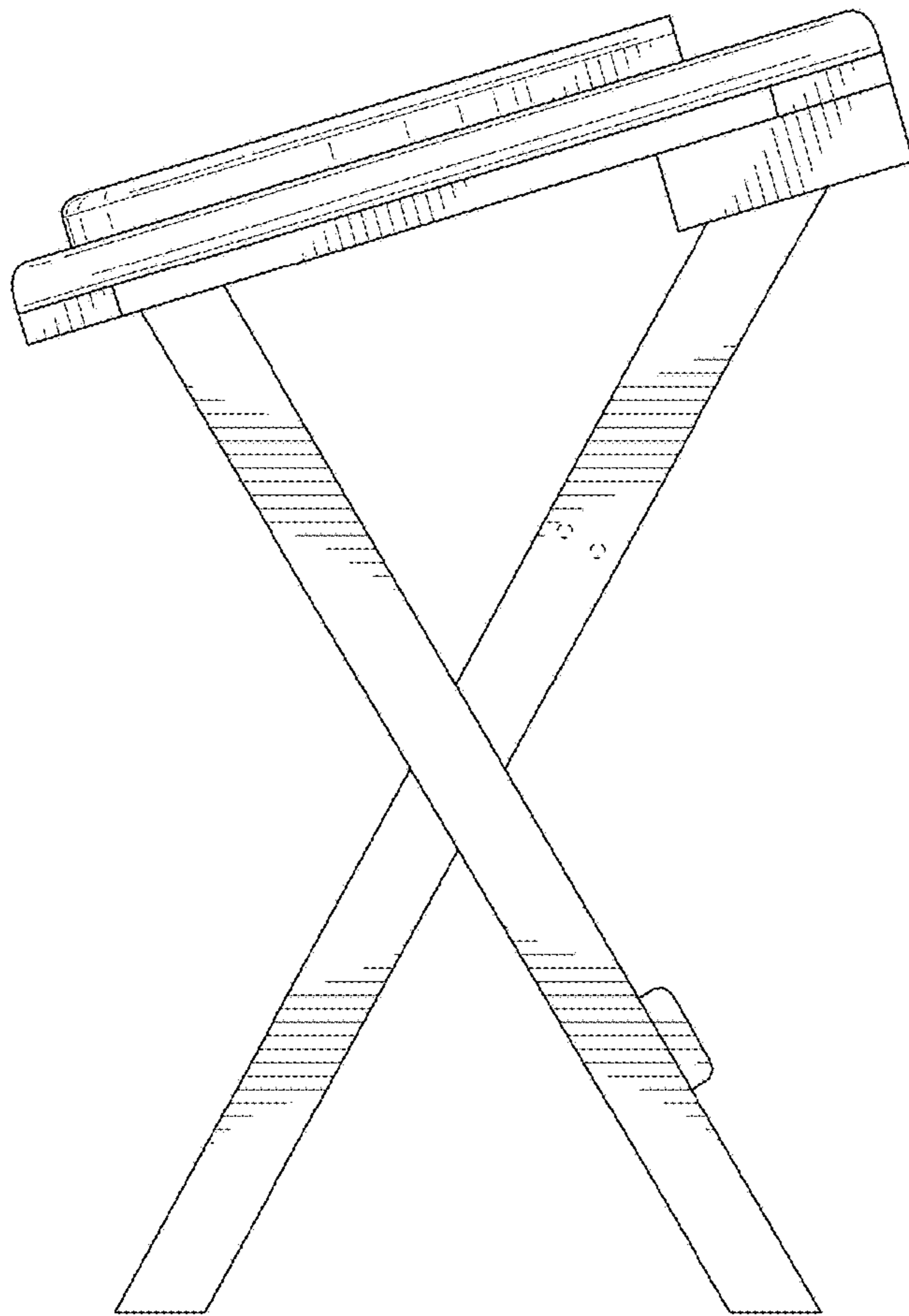


FIG. 6

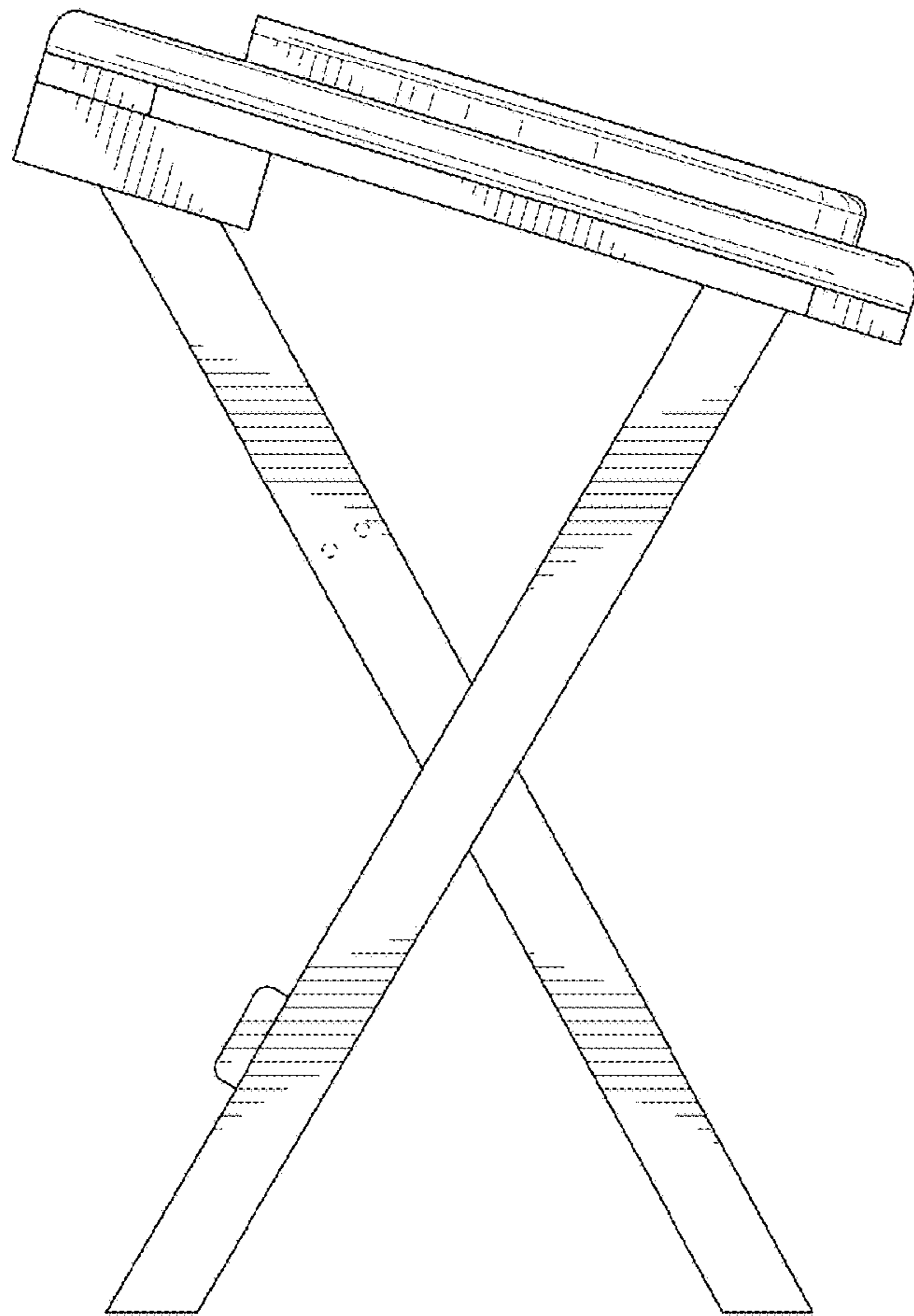


FIG. 7