



US00D860630S

(12) **United States Design Patent** (10) **Patent No.:** **US D860,630 S**
Schaumann et al. (45) **Date of Patent:** **** *Sep. 24, 2019**

- (54) **PIN BOX**
- (71) Applicant: **DPG USA Inc.**, Schaumburg, IL (US)
- (72) Inventors: **Daniel Schaumann**, Chicago, IL (US);
Nikhil Gupta, Schaumburg, IL (US)
- (73) Assignee: **DPG USA INC.**, Schaumburg, IL (US)
- (*) Notice: This patent is subject to a terminal disclaimer.
- (**) Term: **15 Years**
- (21) Appl. No.: **29/623,579**
- (22) Filed: **Oct. 25, 2017**
- (51) **LOC (12) Cl.** **03-01**
- (52) **U.S. Cl.**
USPC **D3/20**
- (58) **Field of Classification Search**
USPC ... D3/18, 20, 21, 201, 203.1, 205, 206, 273,
D3/294; D9/414, 420, 426, 700
CPC B65D 85/00; B65D 85/02; B65D 85/24;
B65D 85/28; A45C 11/24; B25H 3/003;
B25H 3/02
See application file for complete search history.

(56) **References Cited**

U.S. PATENT DOCUMENTS

2,629,389	A *	2/1953	Westby	A45D 8/18
					132/330
D259,596	S *	6/1981	Gray	D3/205
D335,896	S *	5/1993	Evenson	D19/83
D354,848	S *	1/1995	Lovell	D28/77
D404,560	S *	1/1999	Ullmann	D3/201
D411,040	S *	6/1999	Gilbertson	D3/273
D422,408	S *	4/2000	Schwartz	D3/273
D423,772	S *	5/2000	Cooper	D3/201
D427,425	S *	7/2000	Stahl	D3/203.1
D466,283	S *	12/2002	Kim	D3/205
D491,358	S *	6/2004	Hofman	D3/273
D514,805	S *	2/2006	Owen	D3/206

D538,031	S *	3/2007	Costa	D3/203.1
D579,201	S *	10/2008	Galli	D3/273
D634,115	S *	3/2011	Long, Jr.	D3/201

(Continued)

Primary Examiner — John Windmuller

Assistant Examiner — Steven J Czyz

(74) *Attorney, Agent, or Firm* — Robert S. Alexander;
Ferrells, PLLC; Anna L. Kinney

(57) **CLAIM**

The ornamental design for a pin case, as shown and described.

DESCRIPTION

The claimed case is used for storing pins, particularly pins having an elongate tapered head as disclosed in co-pending U.S. Design application Ser. No. 29/623,581. The Pin Case of the present invention, together with the Pin of co-pending U.S. Design application Ser. No. 29/623,581, form an Ensemble described and claimed in co-pending U.S. Design application Ser. No. 29/623,584. Both U.S. Design application Ser. No. 29/623,581 and U.S. Design application Ser. No. 29/623,584 were filed of even date herewith and both are incorporated herein by reference in their entirety.

FIG. 1 is a perspective view of a pin case showing my new design;

FIG. 2 is a front elevation thereof;

FIG. 3 is a rear elevation thereof;

FIG. 4 is a right side elevation view thereof;

FIG. 5 is a left side elevation view thereof;

FIG. 6 is a top view thereof;

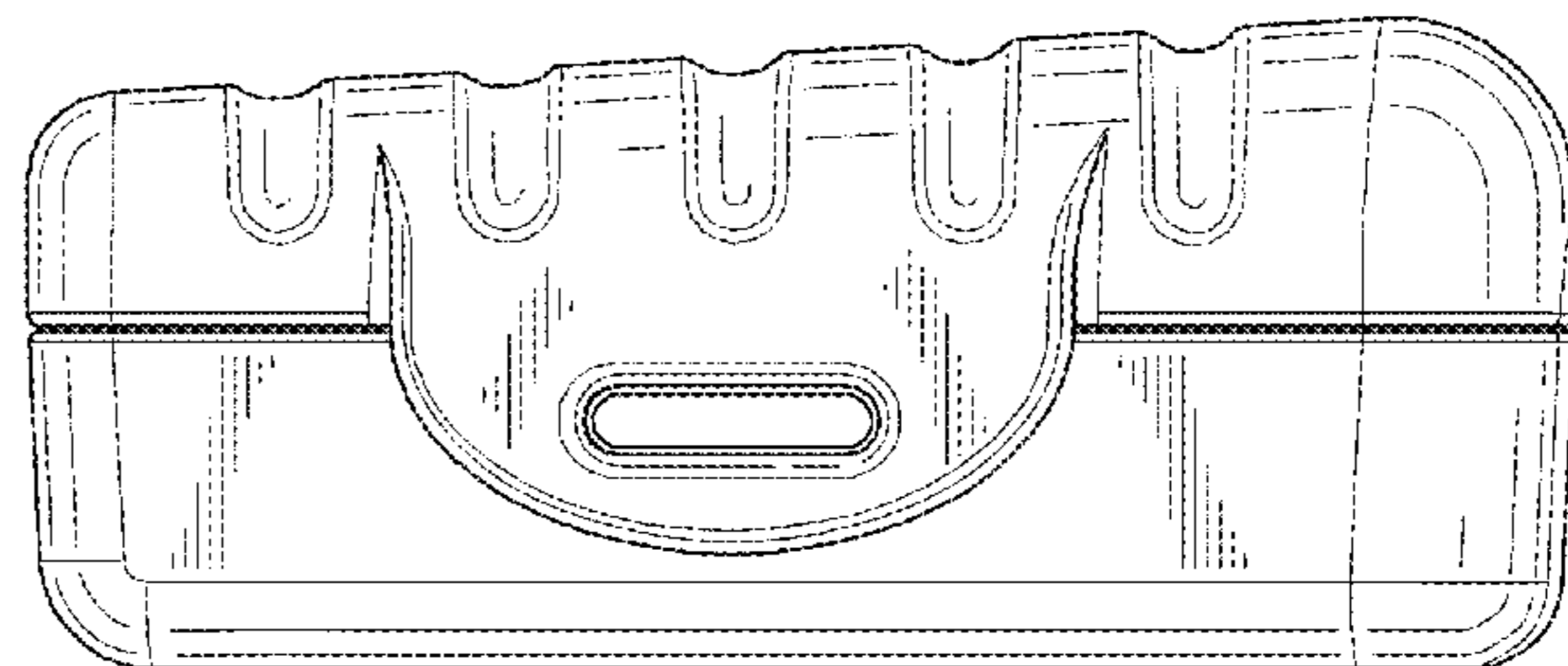
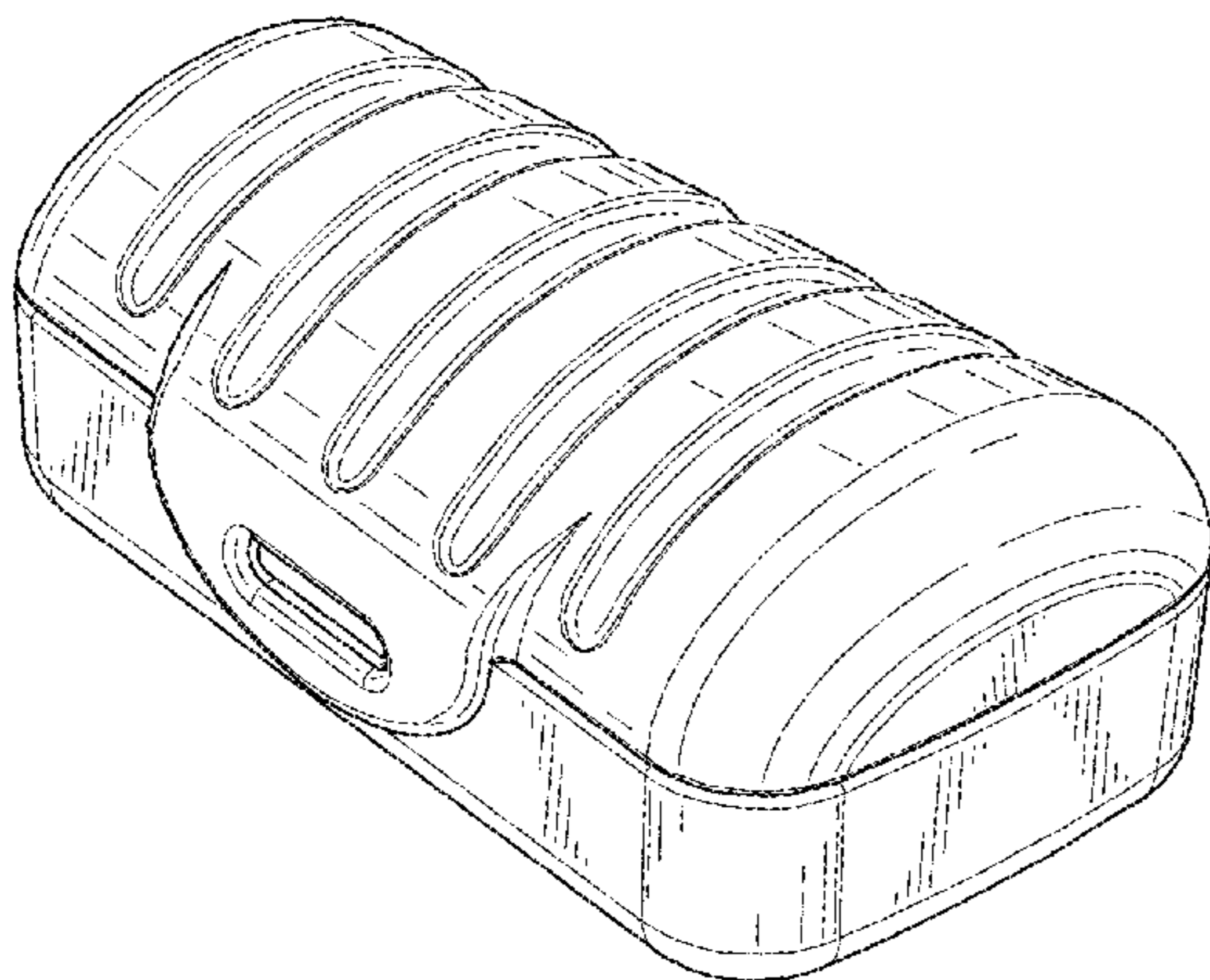
FIG. 7 is a bottom view thereof;

FIG. 8 is a perspective view of the pin case, shown in an open state; and,

FIG. 9 is a perspective view of the pin case, shown in an open state with environment.

The broken lines depict environment that forms no part of the claimed design.

1 Claim, 6 Drawing Sheets



(56)

References Cited

U.S. PATENT DOCUMENTS

D641,164	S	*	7/2011	Cornu	D3/294
D649,341	S	*	11/2011	Long, Jr.	D3/201
D650,986	S	*	12/2011	Brady	D3/203.1
D673,366	S	*	1/2013	Schumann	D3/294
D673,430	S	*	1/2013	Glassman	D3/201
D674,181	S	*	1/2013	Faulkner	D24/231
D715,048	S	*	10/2014	Donnelly	D3/273
D718,048	S	*	11/2014	Hsu	D3/273
D718,049	S	*	11/2014	Hsu	D3/273
D740,018	S	*	10/2015	Zhang	D3/201
D745,775	S	*	12/2015	Provost	D3/205
D758,064	S	*	6/2016	Zwetzig	D3/201
D772,572	S	*	11/2016	Palmborg	D3/201
D810,421	S	*	2/2018	Ross	D3/203.1
D817,640	S	*	5/2018	Dang	D3/294
D823,593	S	*	7/2018	Giannopoulos	D3/203.1

* cited by examiner

FIG. 1

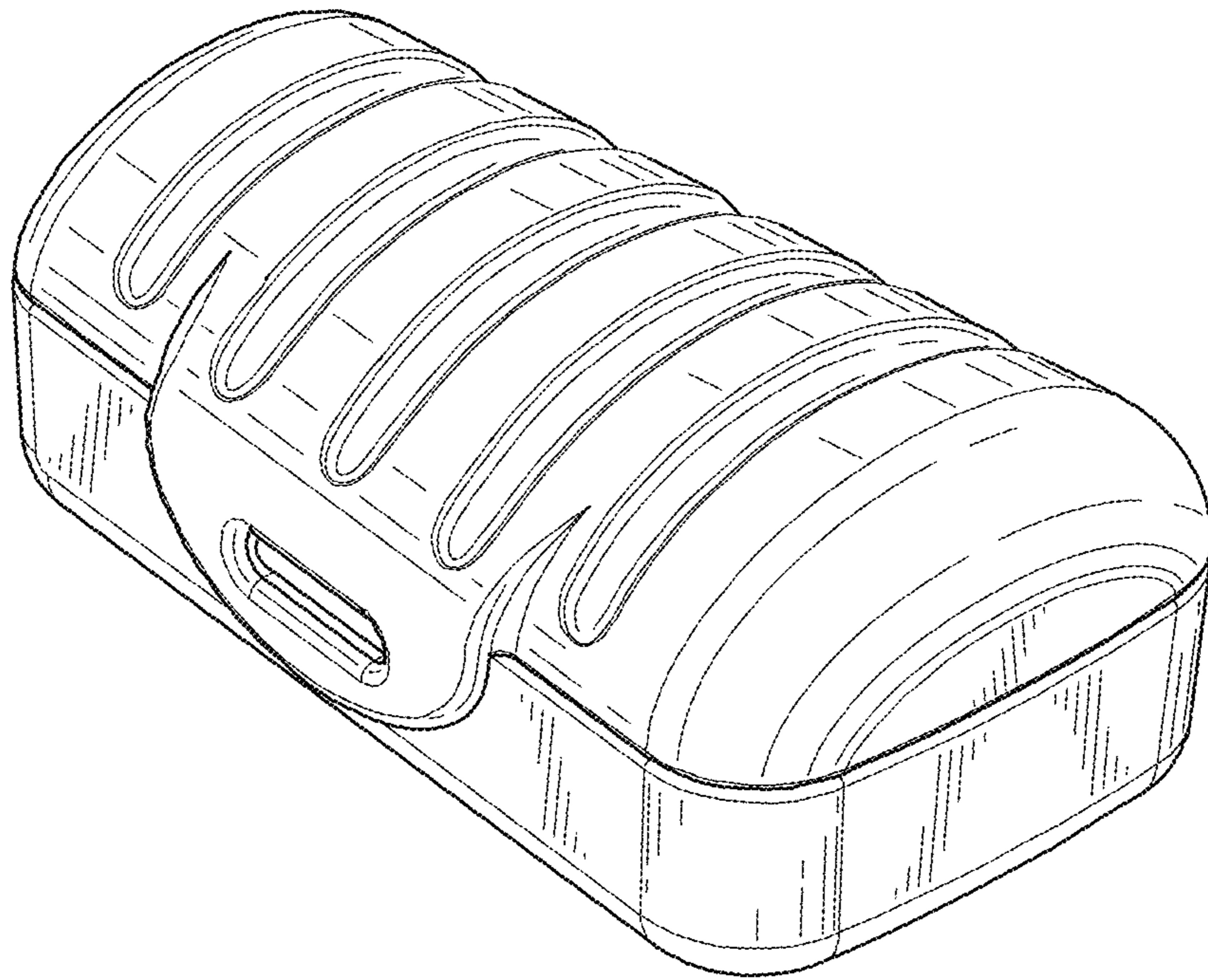


FIG. 2

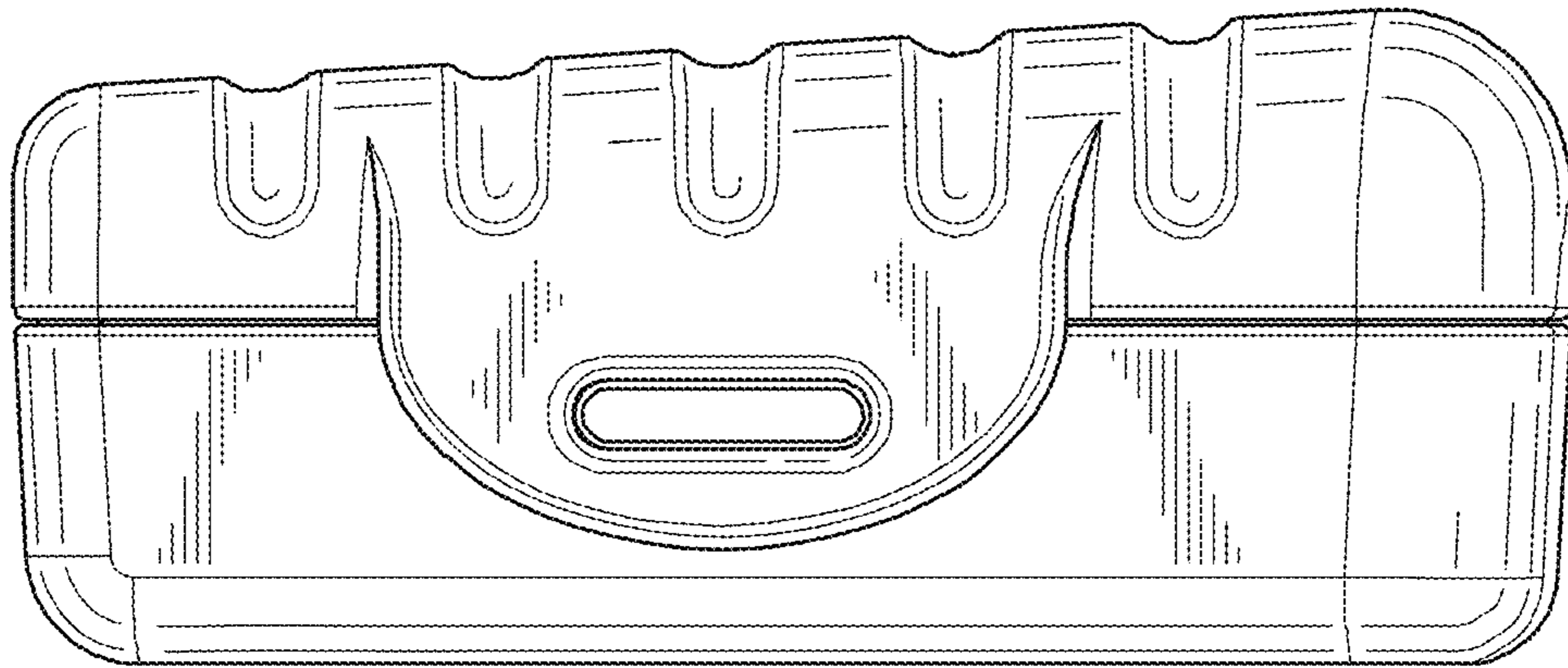


FIG. 3

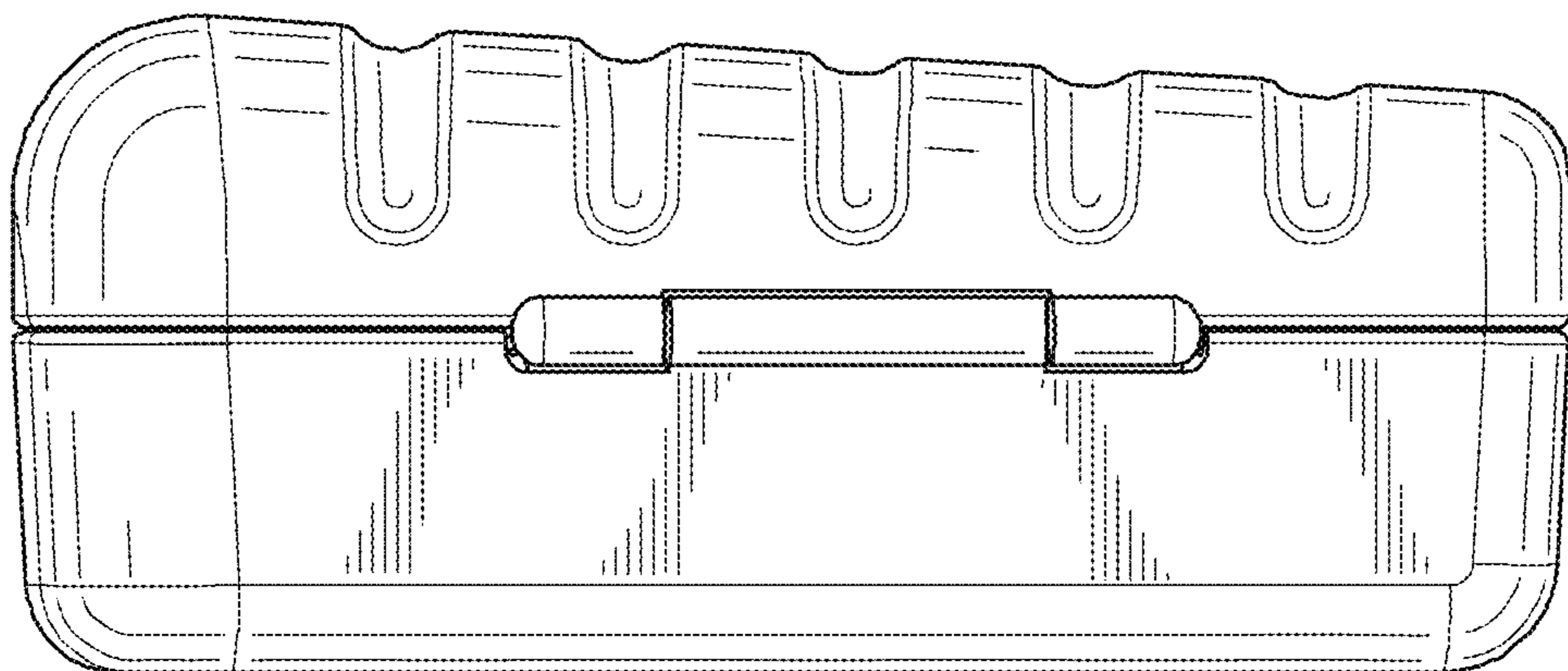


FIG. 4

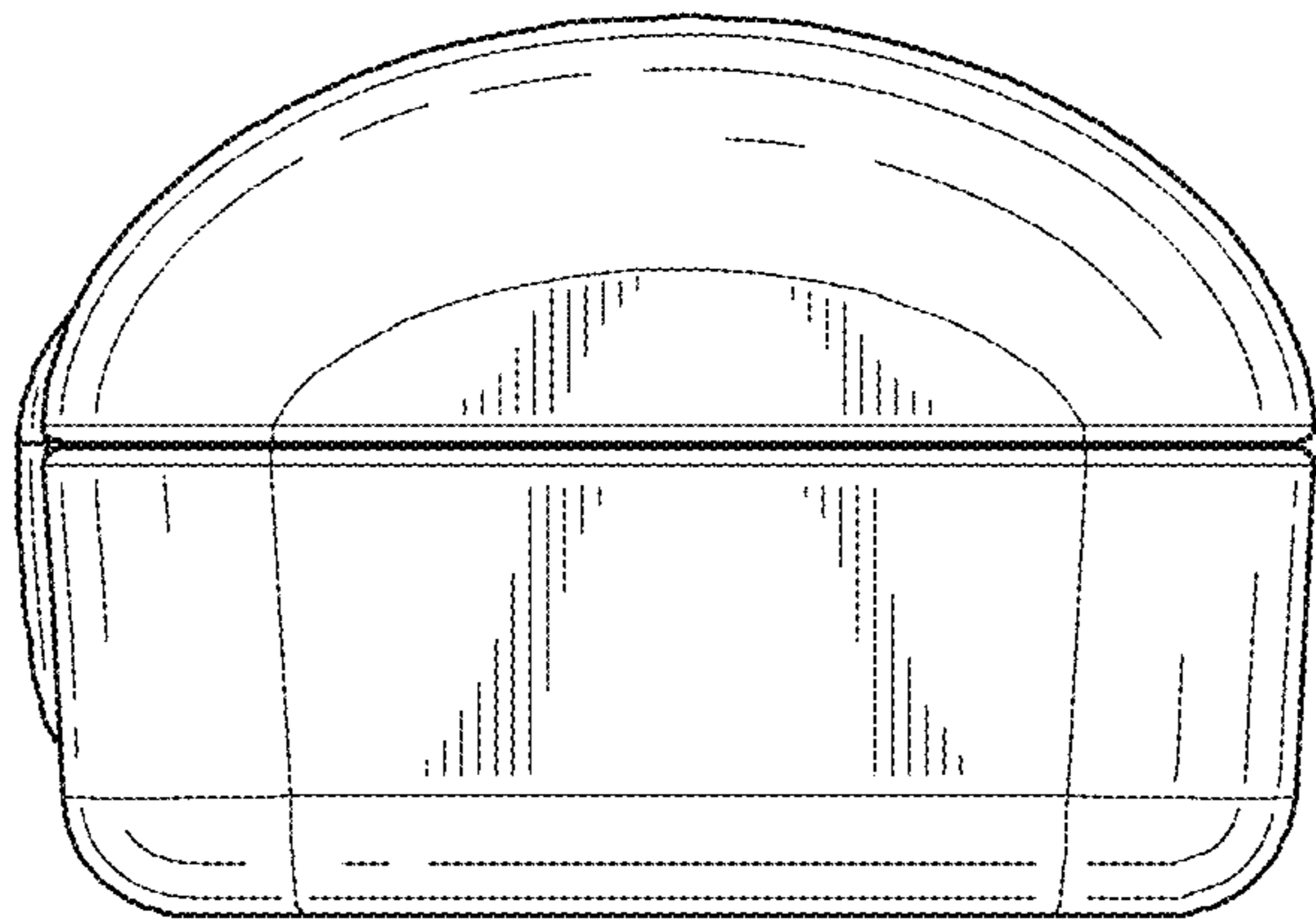


FIG. 5

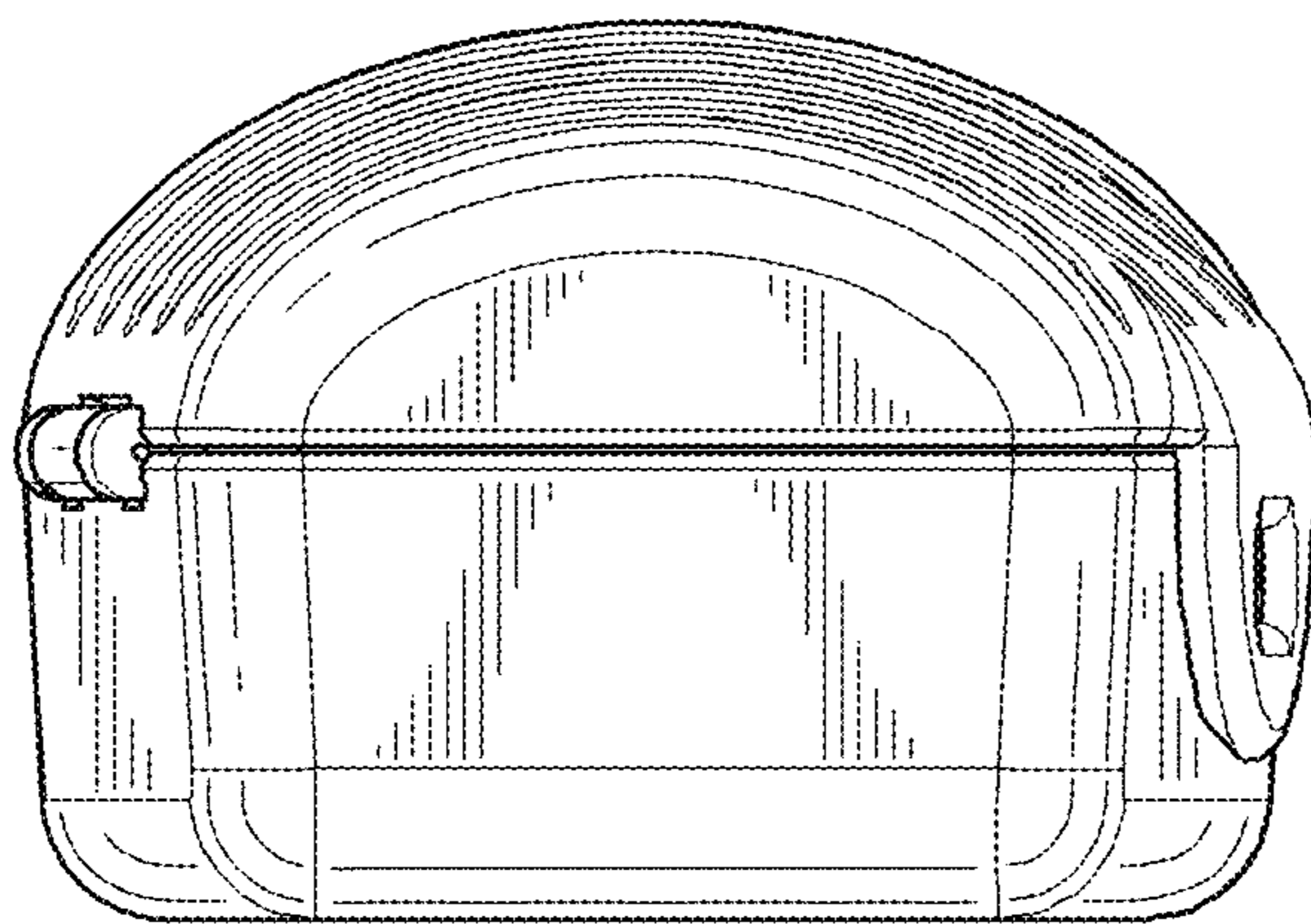


FIG. 6

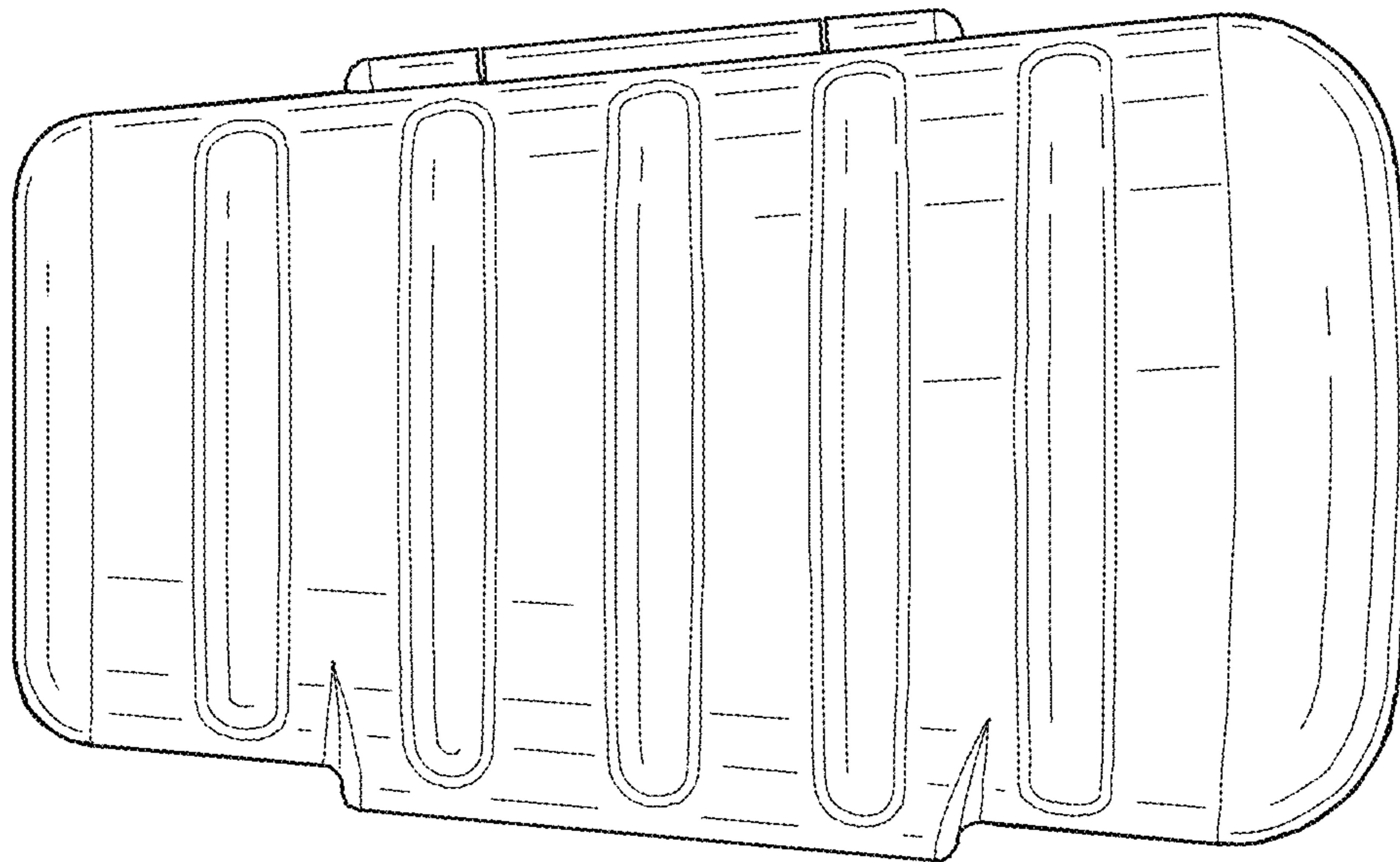


FIG. 7

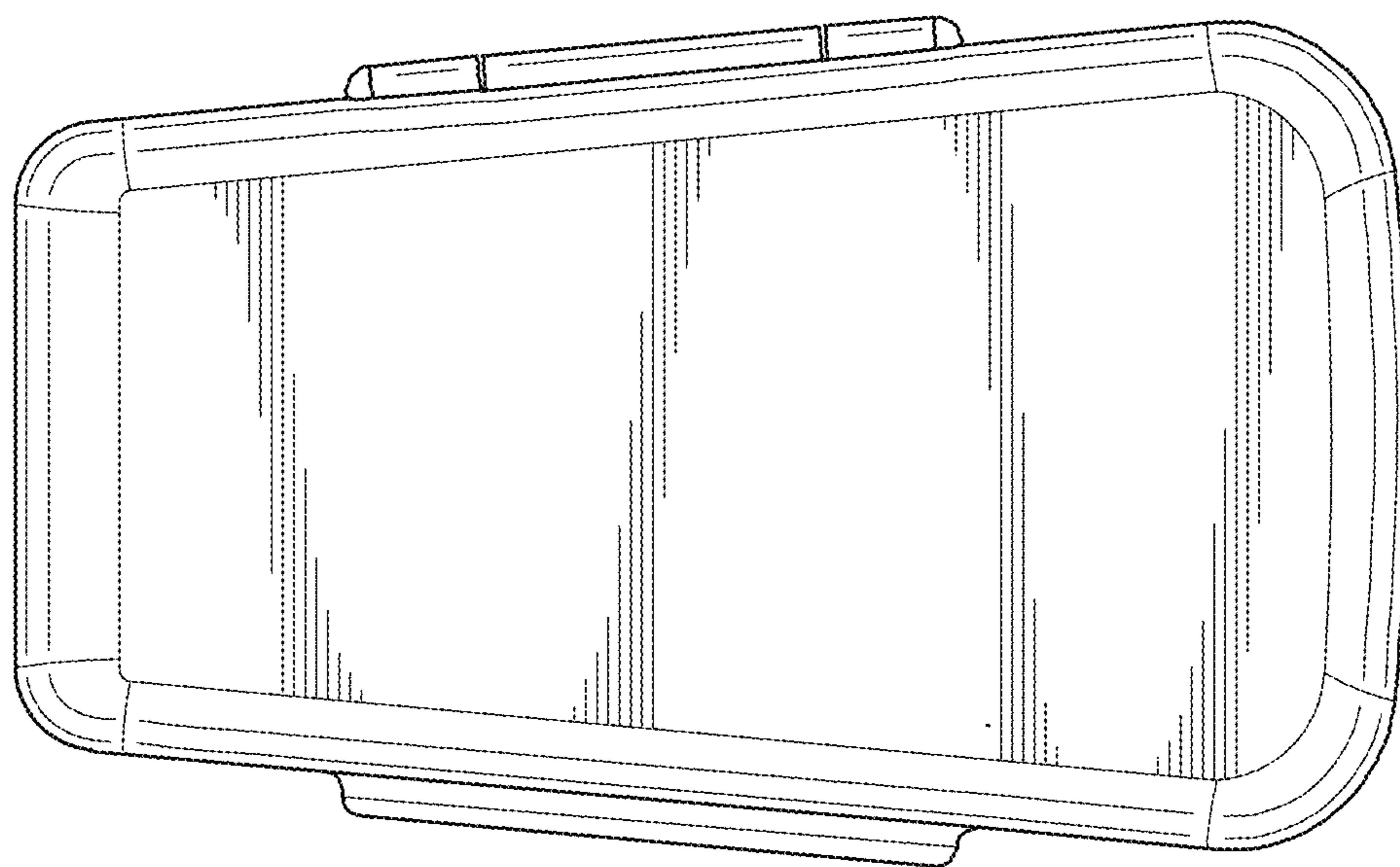


FIG. 8

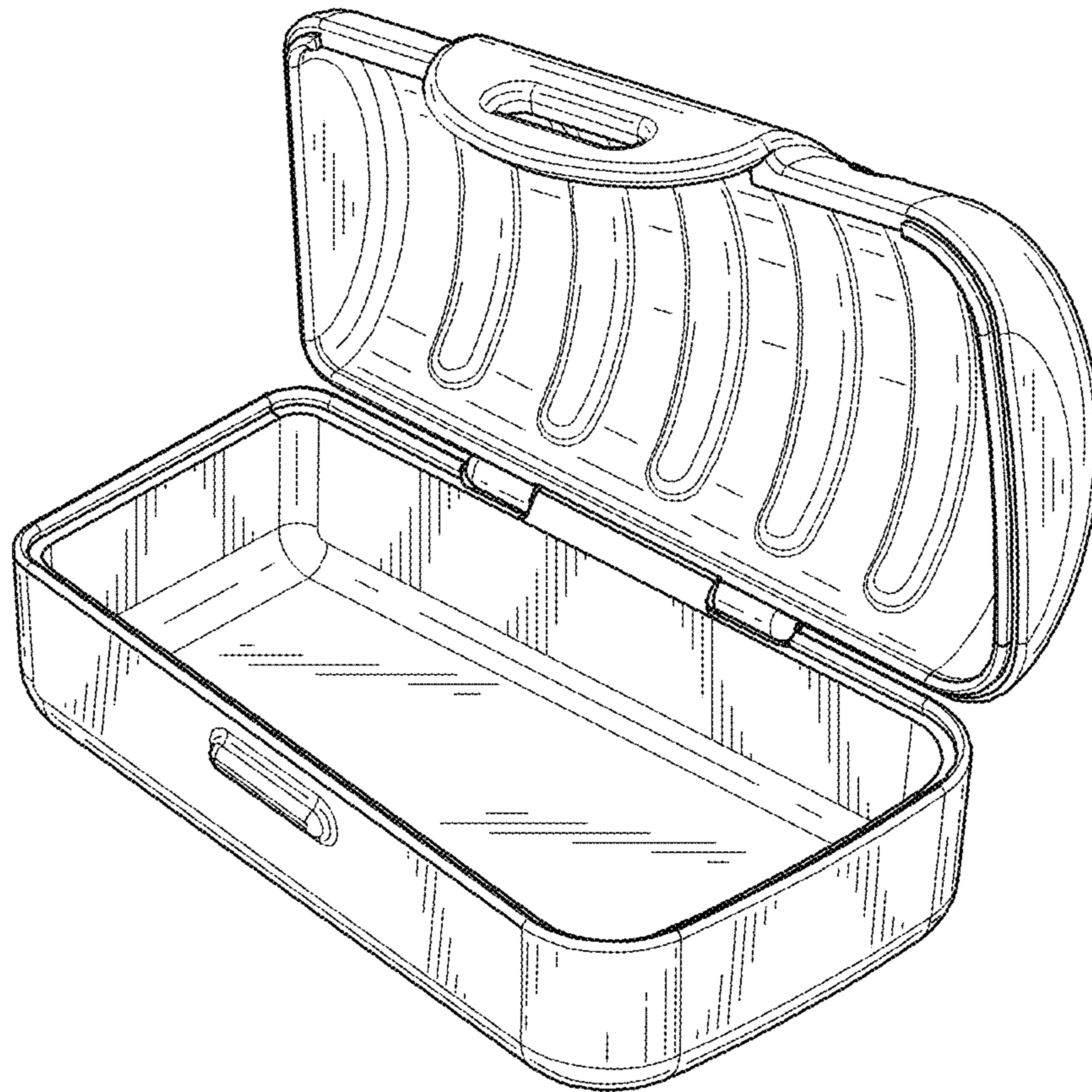


FIG. 9

