

US00D860629S

(12) **United States Design Patent** (10) **Patent No.:** **US D860,629 S**  
**Schaumann et al.** (45) **Date of Patent:** **\*\* Sep. 24, 2019**

(54) **PIN AND PIN CASE ENSEMBLE**  
(71) Applicant: **DPG USA Inc.**, Schaumburg, IL (US)  
(72) Inventors: **Daniel Schaumann**, Chicago, IL (US);  
**Nikhil Gupta**, Schaumburg, IL (US)  
(73) Assignee: **DPG USA INC.**, Schaumburg, IL (US)  
(\*\*) Term: **15 Years**  
(21) Appl. No.: **29/623,584**

*Primary Examiner* — John Windmuller  
*Assistant Examiner* — Steven J Czyz  
(74) *Attorney, Agent, or Firm* — Robert S. Alexander;  
Ferrells, PLLC; Anna L. Kinney

(57) **CLAIM**

The ornamental design for a pin and pin case ensemble, as shown and described.

(22) Filed: **Oct. 25, 2017**  
(51) **LOC (12) Cl.** ..... **03-01**  
(52) **U.S. Cl.**  
USPC ..... **D3/18**  
(58) **Field of Classification Search**  
USPC ..... D3/18, 20, 21, 28, 201, 203.1, 205, 206,  
D3/273, 294; D9/414, 420, 426, 700;  
D19/65; D11/206, 207, 46, 47; D8/388,  
D8/391  
CPC . A61B 17/06; D04B 3/00; D04B 3/02; D04B  
33/00; D04B 35/02; D04D 11/00; B21G  
1/00; D05B 85/00; B65D 85/00; B65D  
85/02; B65D 85/24; B65D 85/28; A45C  
11/24; B25H 3/003; B25H 3/02  
See application file for complete search history.

**DESCRIPTION**

The claimed Pin and Pin Case Ensemble includes a Pin, which is the subject of copending U.S. Design application Ser. No. 29/623,581, used in conjunction with a Pin Case or Pin Box, which is the subject of copending U.S. Design application Ser. No. 29/623,579 directed to a case for storing pins, particularly pins having an elongate tapered head. Both U.S. Design application Ser. No. 29/623,579 and U.S. Design application Ser. No. 29/623,581 are filed of even date herewith and both are incorporated herein by reference in their entirety.

FIG. 1 is a perspective view of the pin case portion of the pin and pin case ensemble;  
FIG. 2 is a front elevation view thereof;  
FIG. 3 is a rear elevation view thereof;  
FIG. 4 is a right side elevation view thereof;  
FIG. 5 is a left side elevation view thereof;  
FIG. 6 is a top view thereof;  
FIG. 7 is bottom view thereof;  
FIG. 8 is a perspective view of the pin case portion of the pin and pin case ensemble, shown in an open state;  
FIG. 9 is a perspective view of the pin and pin case ensemble;  
FIG. 10 is a perspective view of the pin portion of a pin and pin case ensemble;  
FIG. 11 is a front elevation view thereof;  
FIG. 12 is a left side elevation view thereof; and,  
FIG. 13 is a right side elevation view thereof.

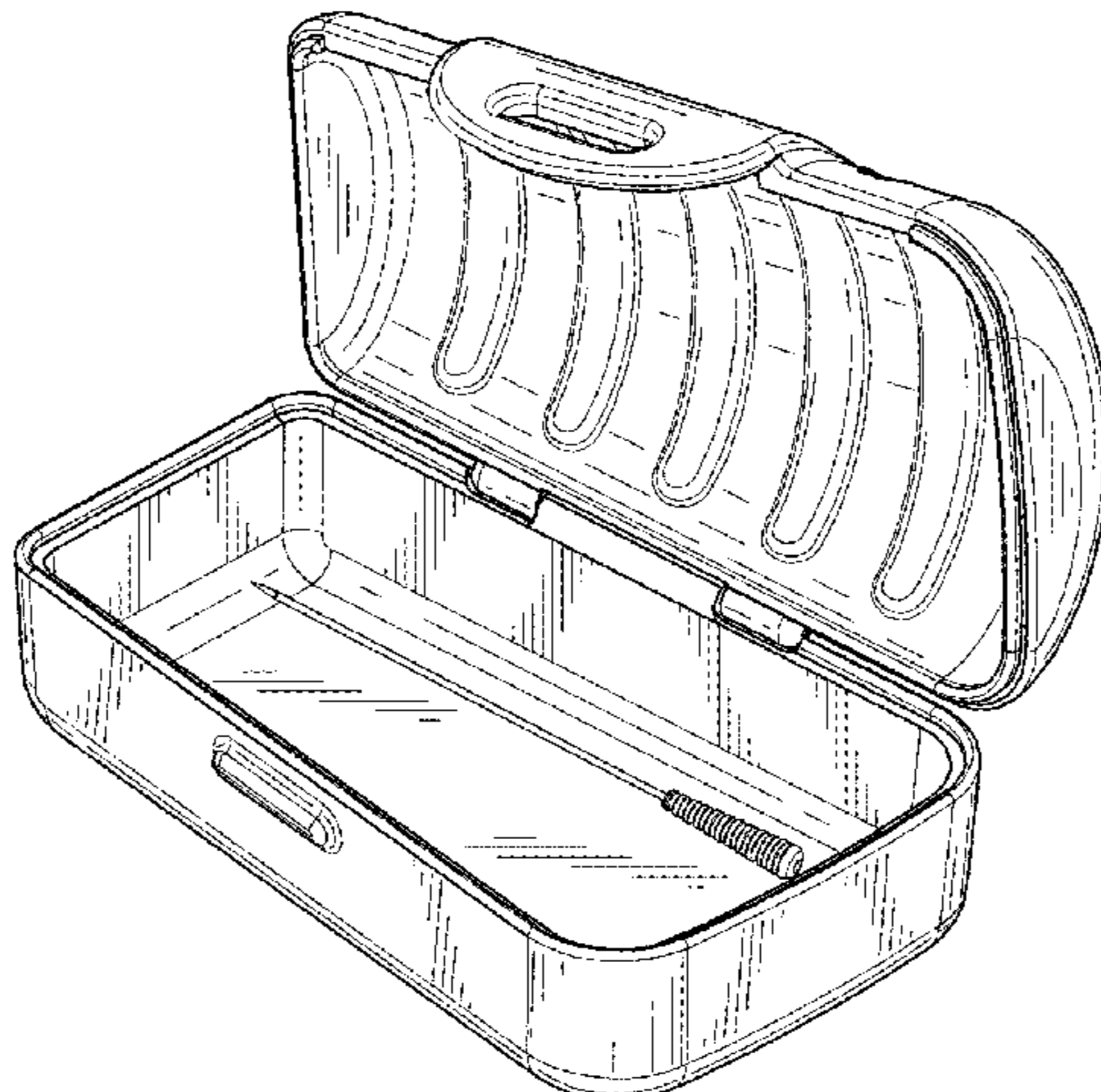
(56) **References Cited**

U.S. PATENT DOCUMENTS

2,629,389 A \* 2/1953 Westby ..... A45D 8/18  
132/330  
D253,000 S \* 9/1979 Hanson ..... D21/323  
D259,596 S \* 6/1981 Gray ..... D3/205  
D272,764 S \* 2/1984 Dohogne ..... D24/155  
D286,677 S \* 11/1986 Osborne ..... D24/112  
D335,896 S \* 5/1993 Evenson ..... D19/83  
D354,848 S \* 1/1995 Lovell ..... D28/77  
D389,868 S \* 1/1998 Voorhees ..... D19/65  
D404,560 S \* 1/1999 Ullmann ..... D3/201  
D411,040 S \* 6/1999 Gilbertson ..... D3/273  
D422,408 S \* 4/2000 Schwartz ..... D3/273

(Continued)

**1 Claim, 7 Drawing Sheets**



(56)

References Cited

U.S. PATENT DOCUMENTS

D423,772 S *	5/2000	Cooper	.....	D3/201	D673,366 S *	1/2013	Schumann	.....	D3/294
D427,425 S *	7/2000	Stahl	.....	D3/203.1	D673,430 S *	1/2013	Glassman	.....	D3/201
D454,591 S *	3/2002	Vidmar	.....	D19/65	D674,181 S *	1/2013	Faulkner	.....	D24/231
D466,283 S *	12/2002	Kim	.....	D3/205	D708,578 S *	7/2014	Yoo	.....	D13/133
D491,358 S *	6/2004	Hofman	.....	D3/273	D710,008 S *	7/2014	Yoo	.....	D24/146
D514,805 S *	2/2006	Owen	.....	D3/206	D715,048 S *	10/2014	Donnelly	.....	D3/273
D526,061 S *	8/2006	Nam	.....	D24/146	D718,048 S *	11/2014	Hsu	.....	D3/273
D538,031 S *	3/2007	Costa	.....	D3/203.1	D718,049 S *	11/2014	Hsu	.....	D3/273
D545,562 S *	7/2007	Feller	.....	D3/28	D735,470 S *	8/2015	Rastogi	.....	D3/28
D571,098 S *	6/2008	Jones	.....	D3/28	D740,018 S *	10/2015	Zhang	.....	D3/201
D579,201 S *	10/2008	Galli	.....	D3/273	D745,775 S *	12/2015	Provost	.....	D3/205
D582,481 S *	12/2008	Vaughn	.....	D19/65	D758,064 S *	6/2016	Zwetzig	.....	D3/201
D597,297 S *	8/2009	Pfaff	.....	D3/28	D767,127 S *	9/2016	de Beer	.....	D24/130
D599,542 S *	9/2009	Hoffman	.....	D3/28	D772,572 S *	11/2016	Palmborg	.....	D3/201
D604,500 S *	11/2009	Buday	.....	D3/28	D810,421 S *	2/2018	Ross	.....	D3/203.1
D606,298 S *	12/2009	Sullivan	.....	D3/28	D817,640 S *	5/2018	Dang	.....	D3/294
D634,115 S *	3/2011	Long, Jr.	.....	D3/201	D822,373 S *	7/2018	Elalouf	.....	D3/28
D641,164 S *	7/2011	Cornu	.....	D3/294	D823,593 S *	7/2018	Giannopoulos	.....	D3/203.1
D649,341 S *	11/2011	Long, Jr.	.....	D3/201	D831,213 S *	10/2018	Kuun	.....	D24/147
D650,986 S *	12/2011	Brady	.....	D3/203.1	D840,600 S *	2/2019	Nathaniel	.....	D28/37
D658,490 S *	5/2012	Lien	.....	D8/388	2003/0225431 A1 *	12/2003	Yoo	.....	A61H 39/00 606/189
					2006/0241670 A1 *	10/2006	Zhu	.....	A61H 39/08 606/189

\* cited by examiner

*FIG. 1*

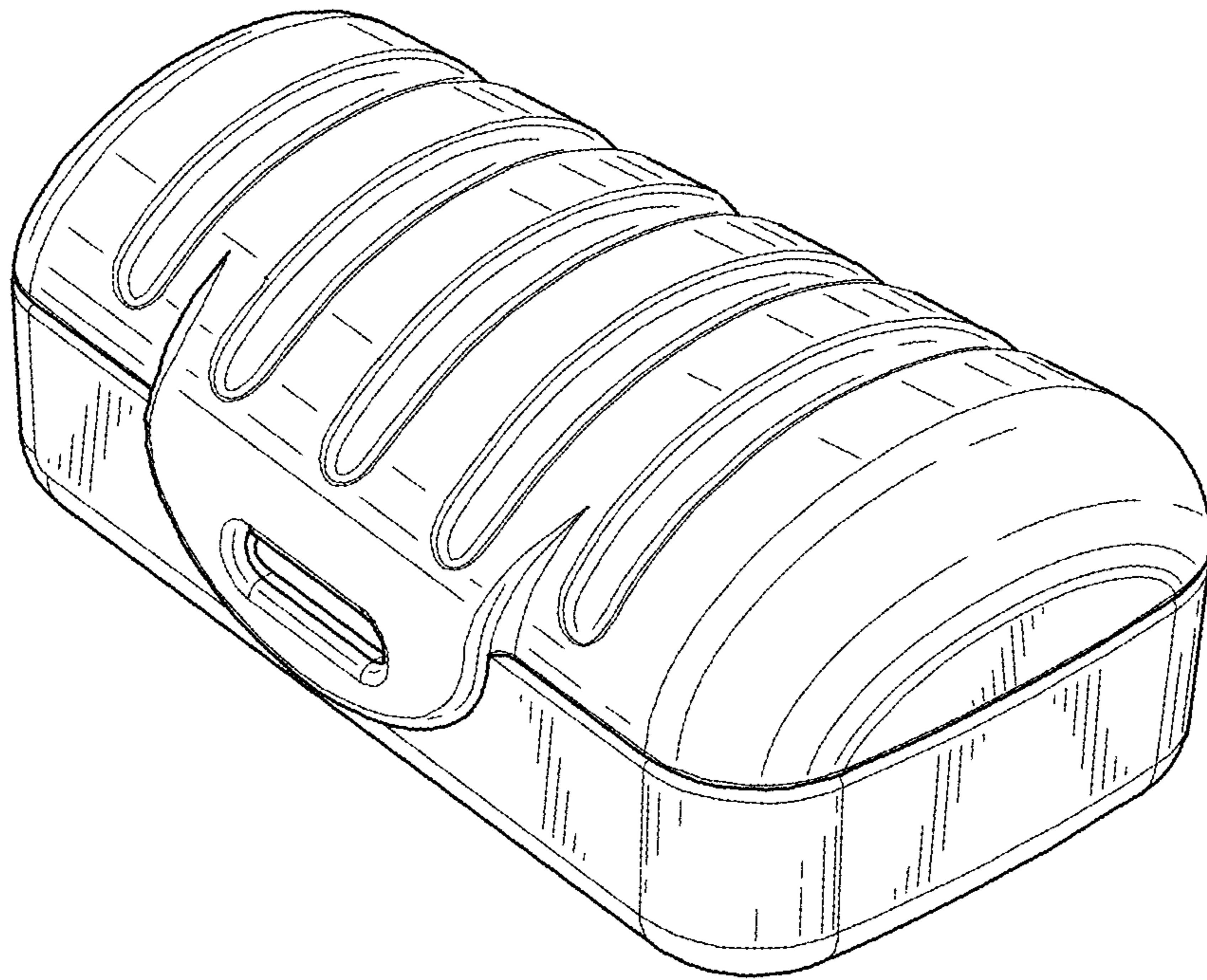




FIG. 2

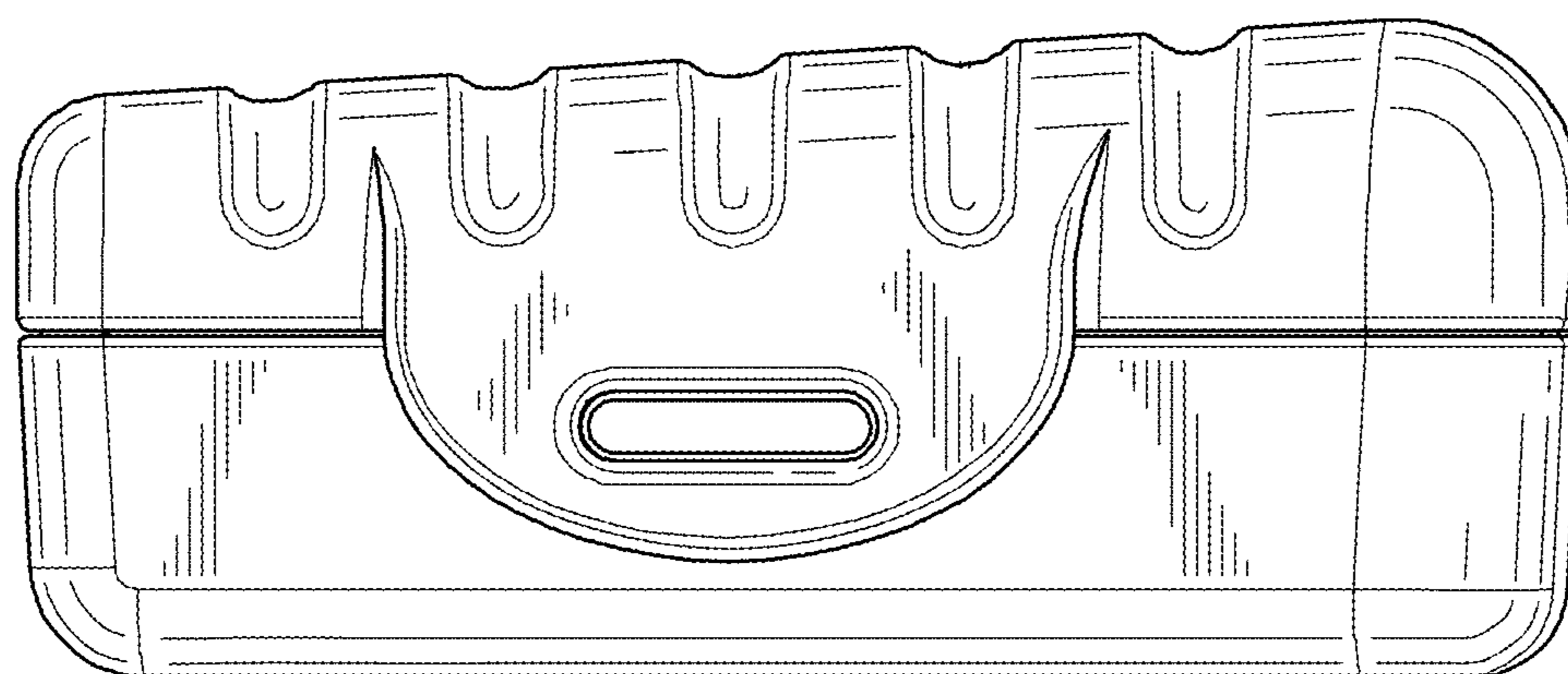
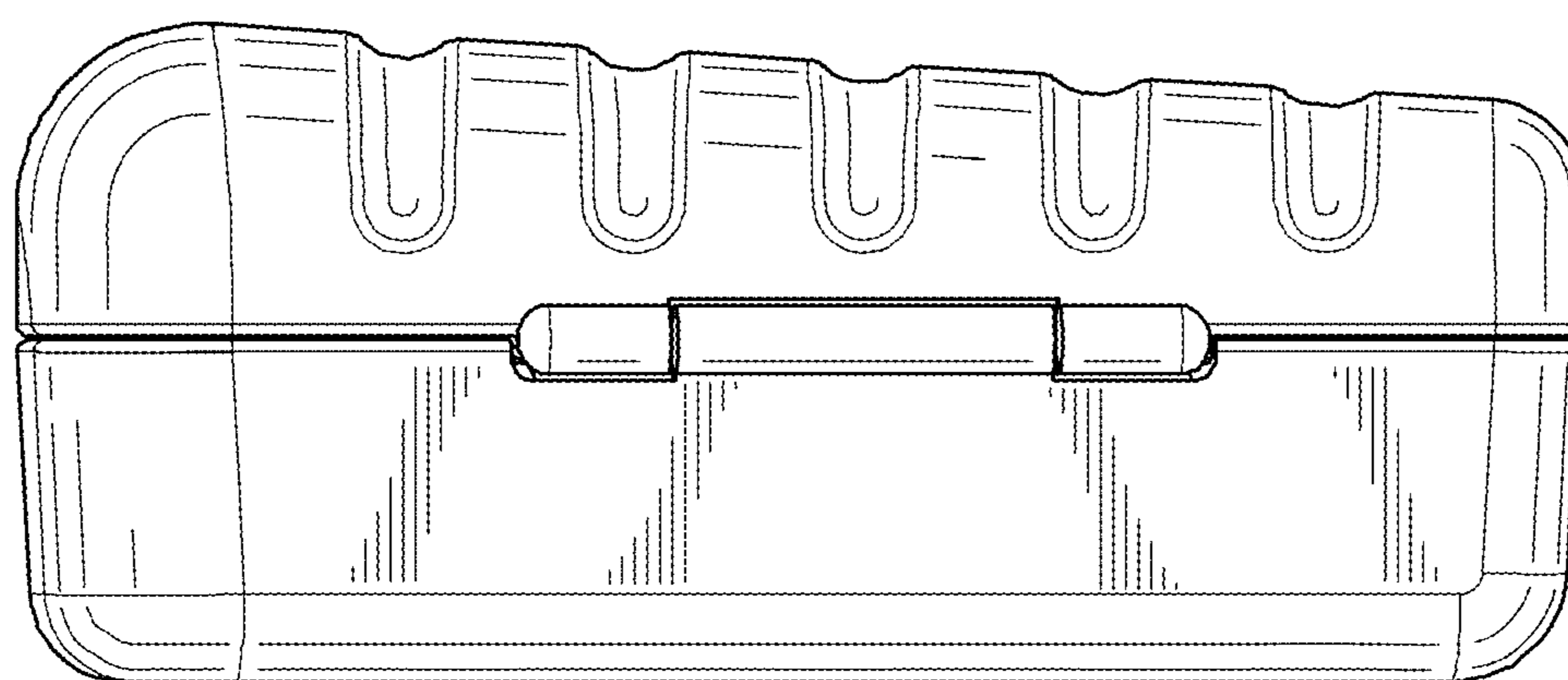
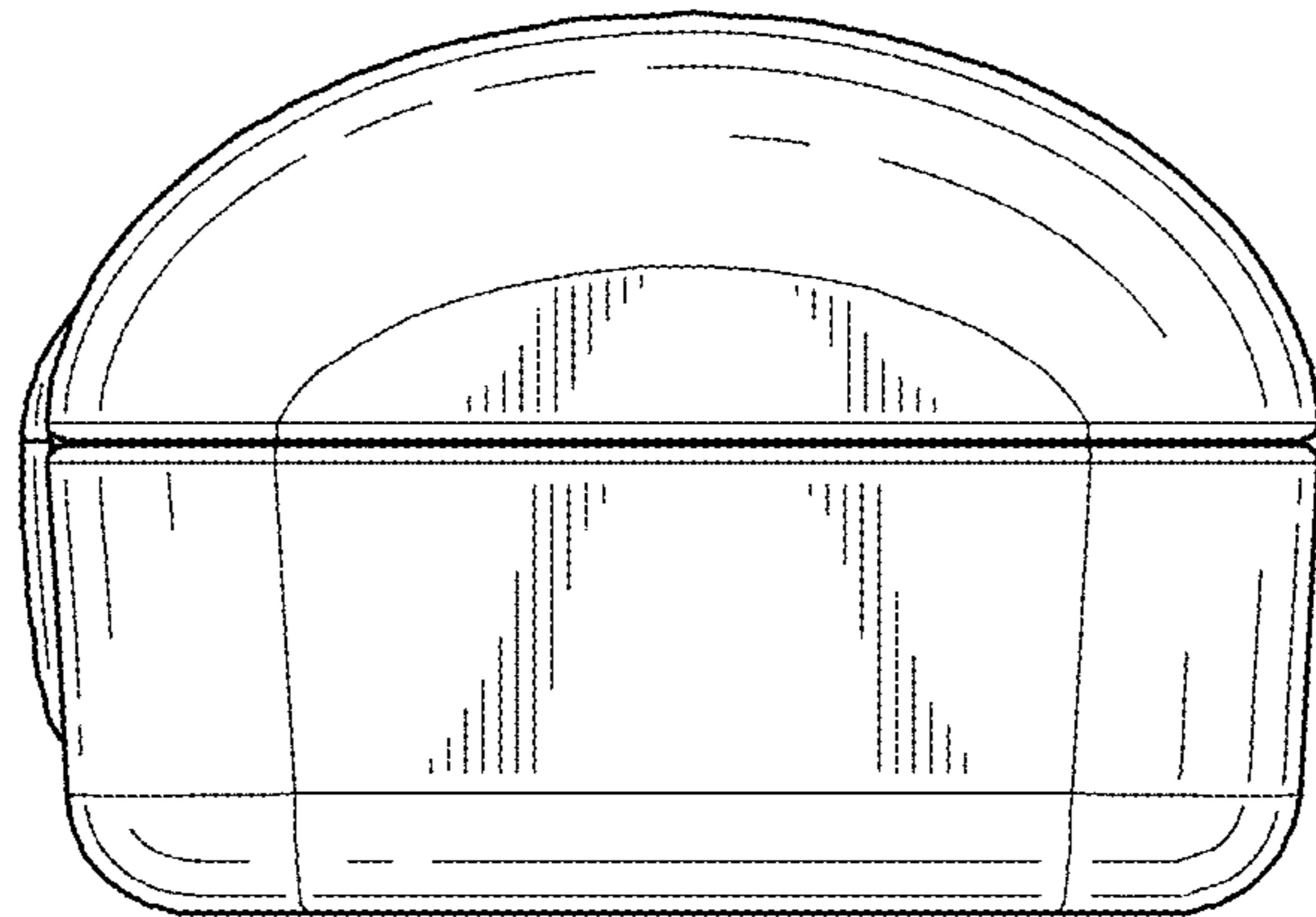


FIG. 3



*FIG. 4*



*FIG. 5*

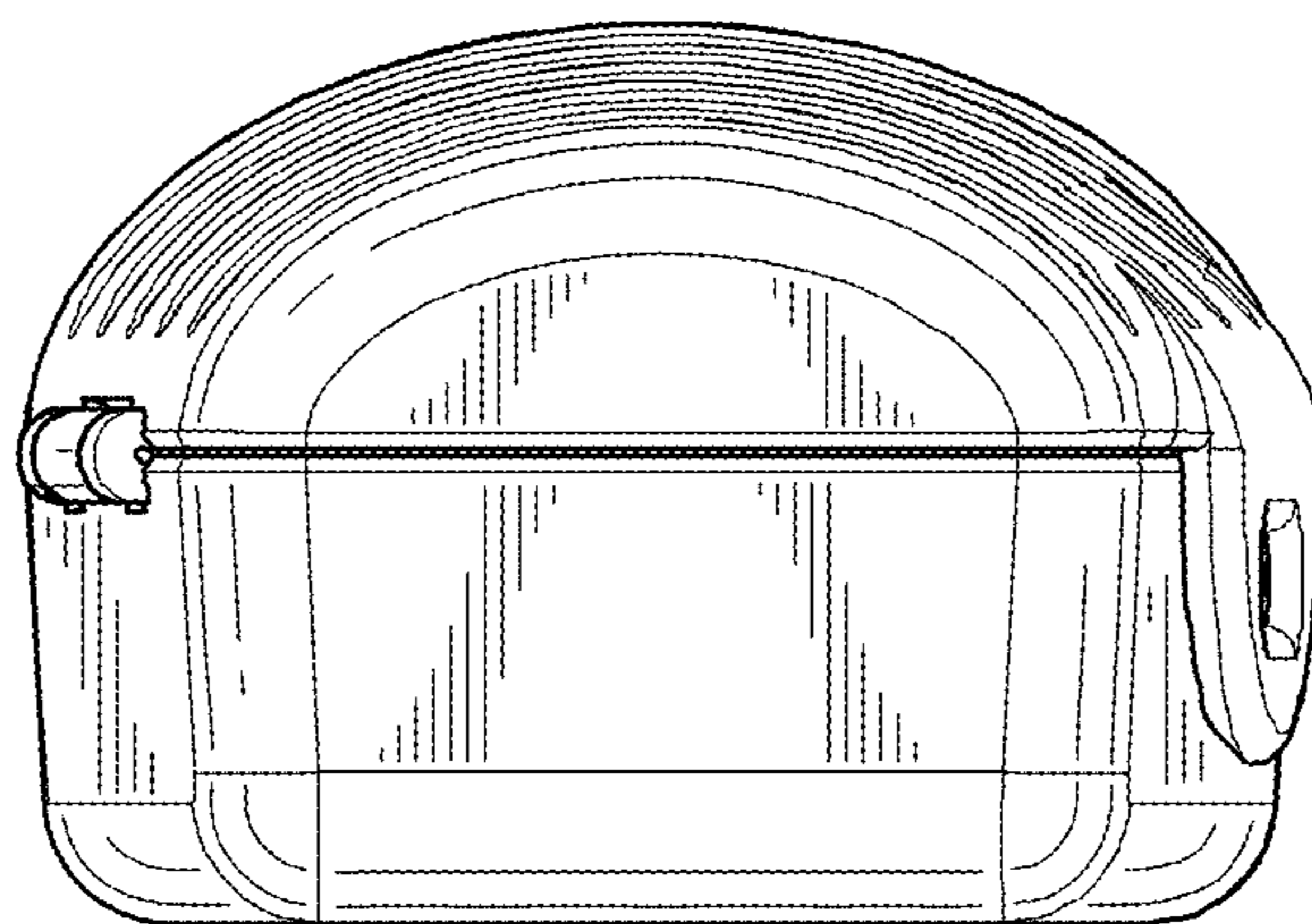


FIG. 6

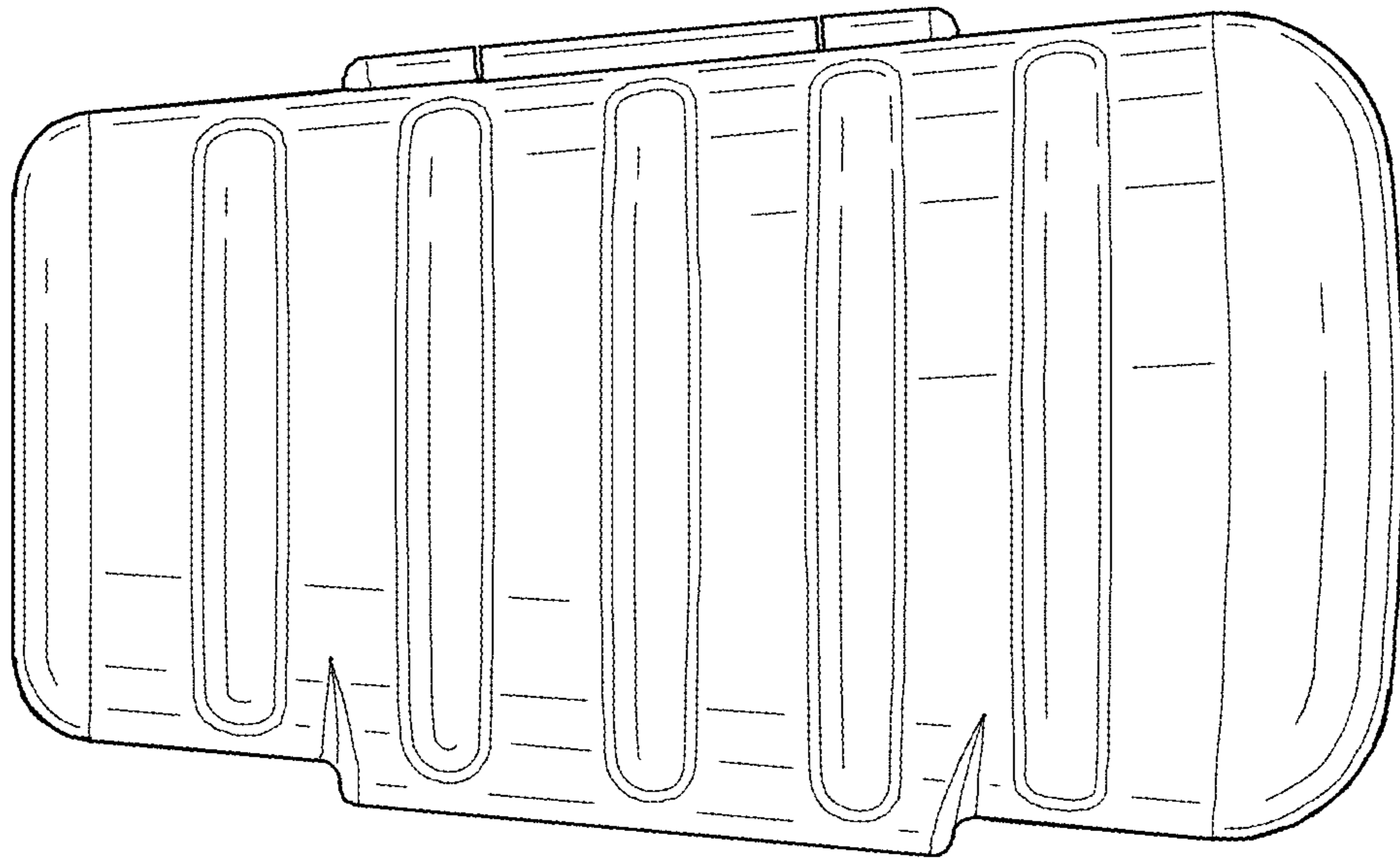
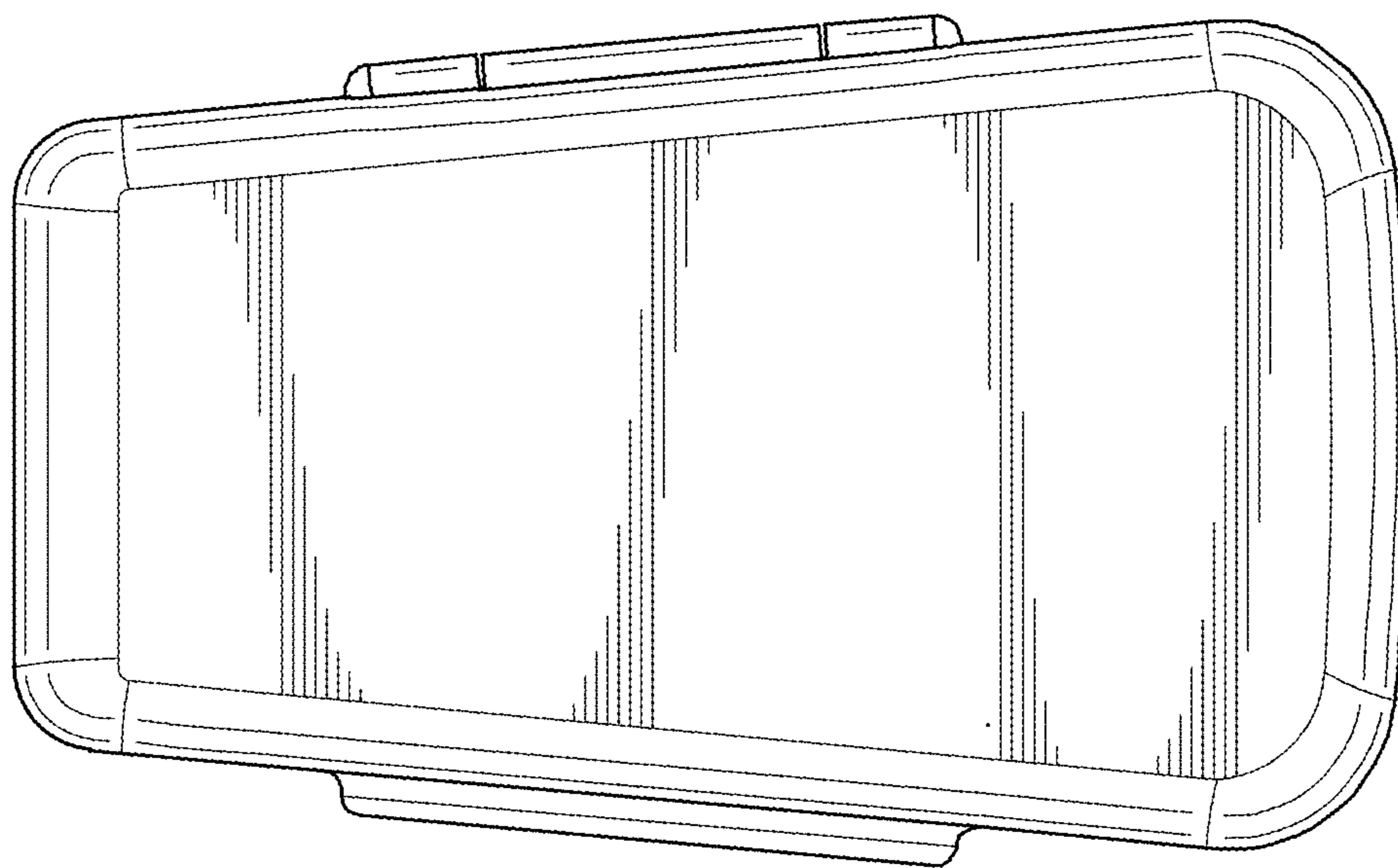


FIG. 7



*FIG. 8*

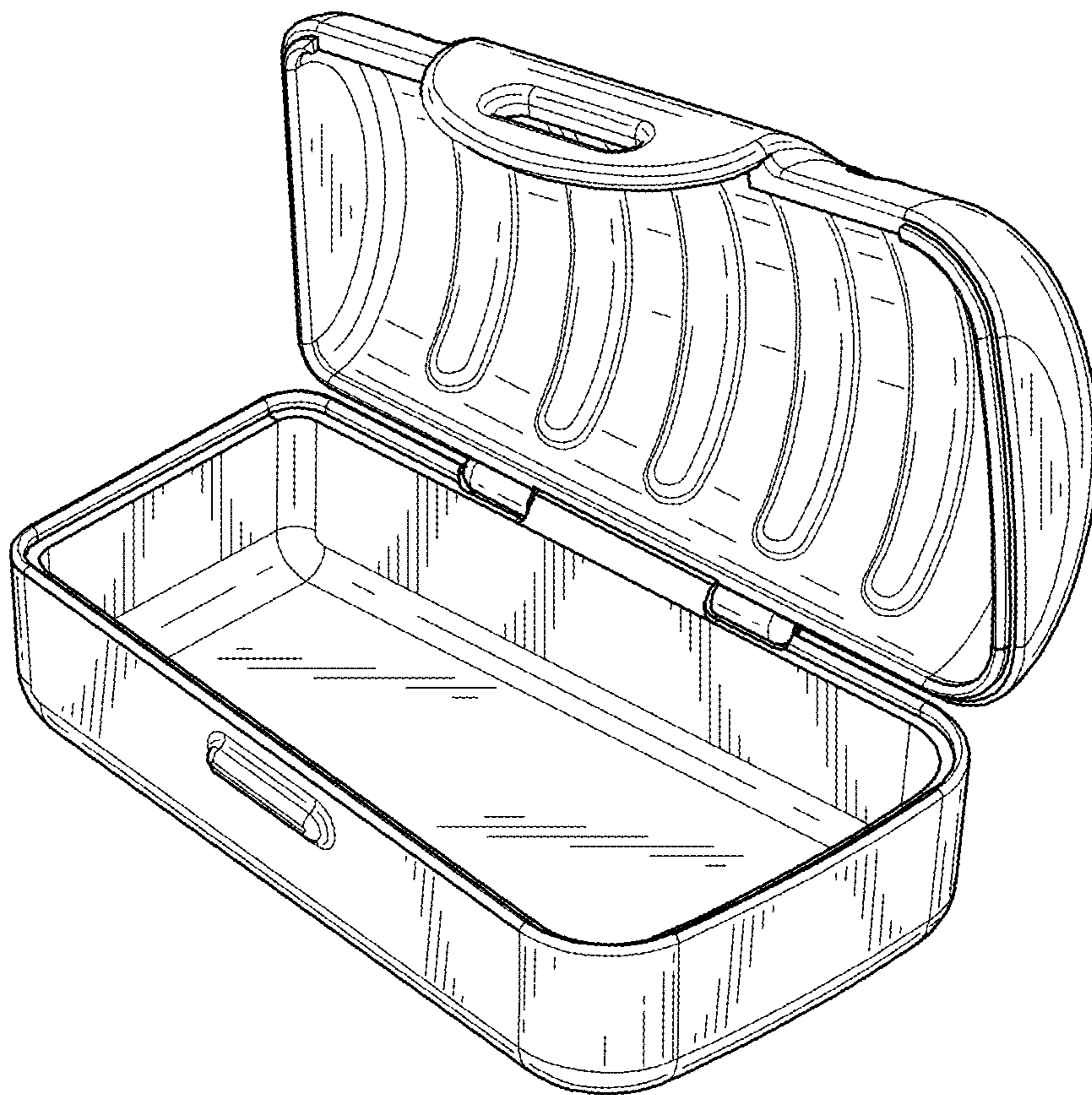




FIG. 9

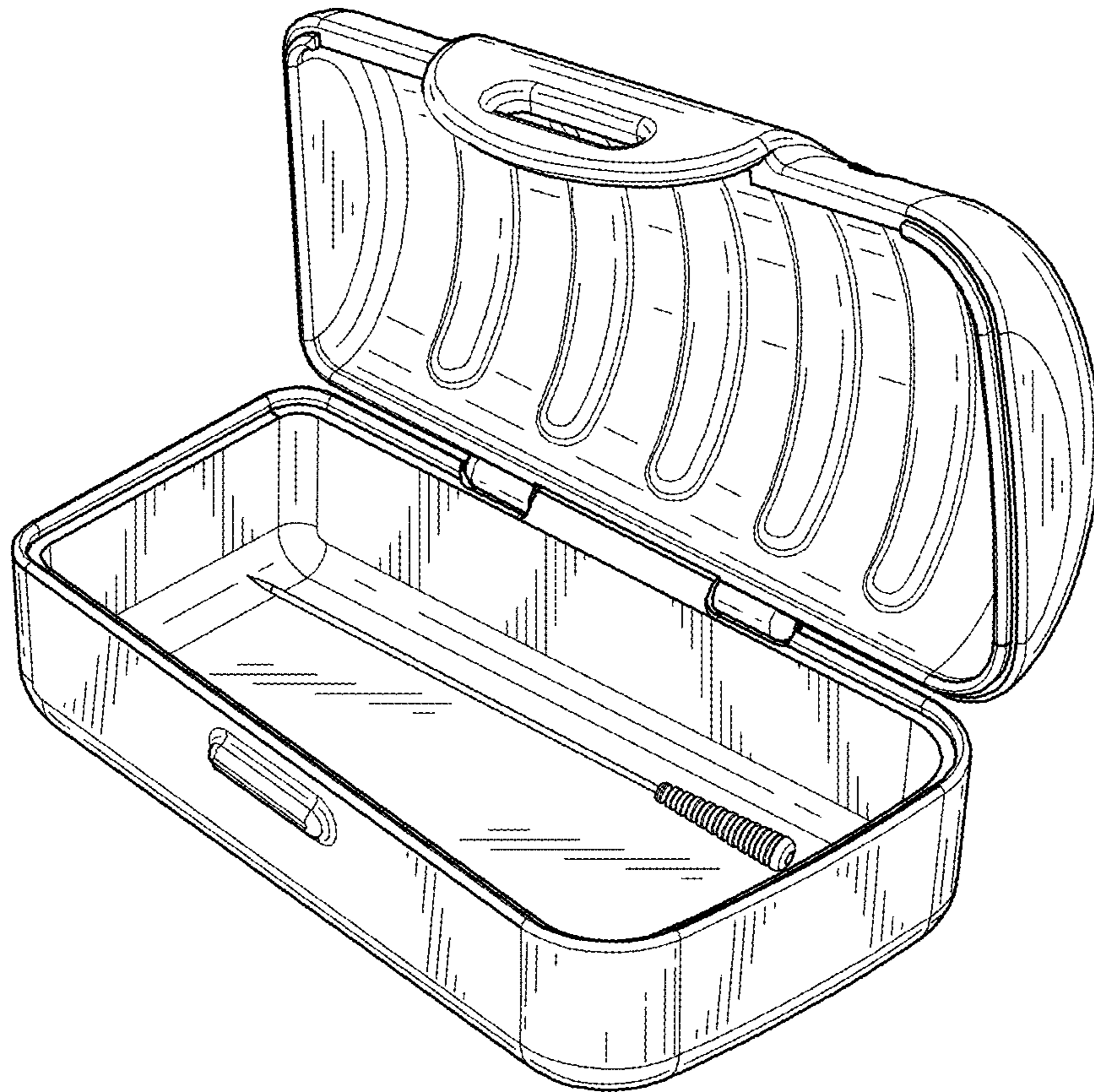




FIG. 10

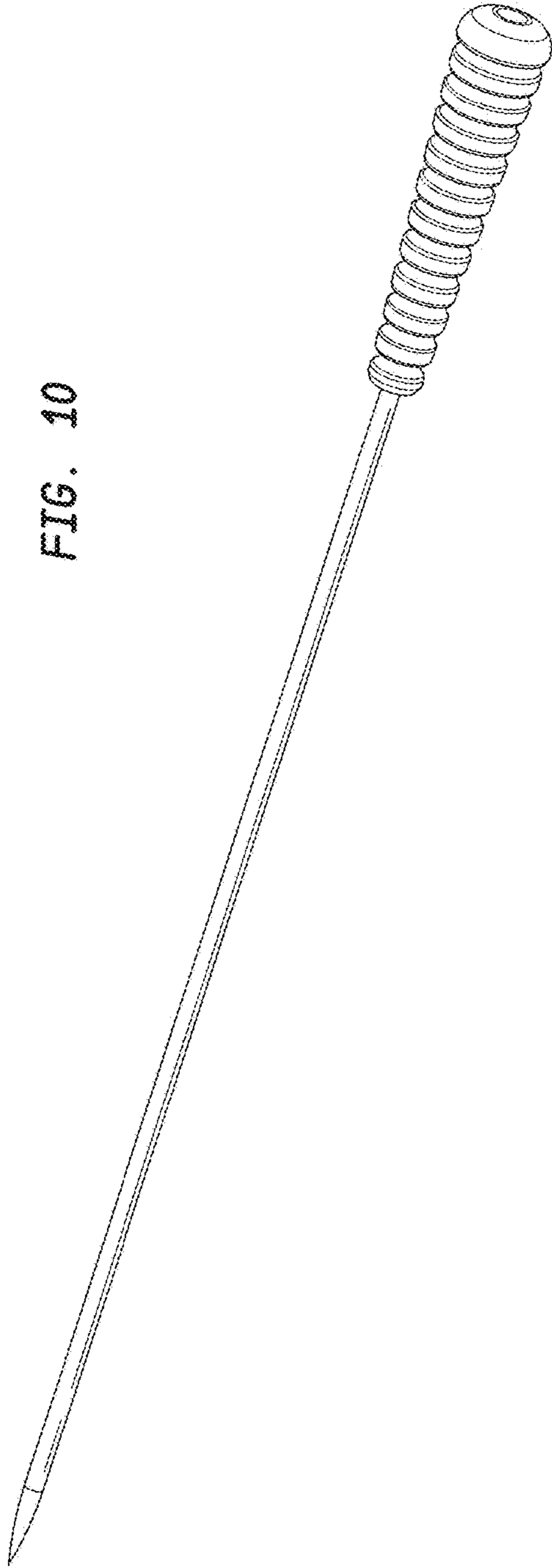


FIG. 11

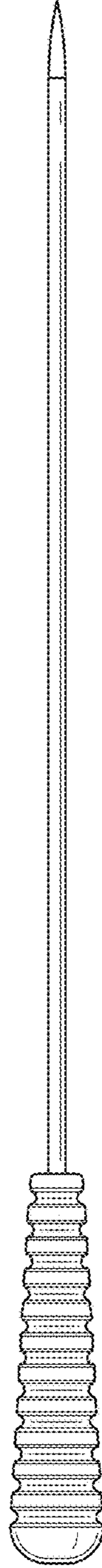


FIG. 13

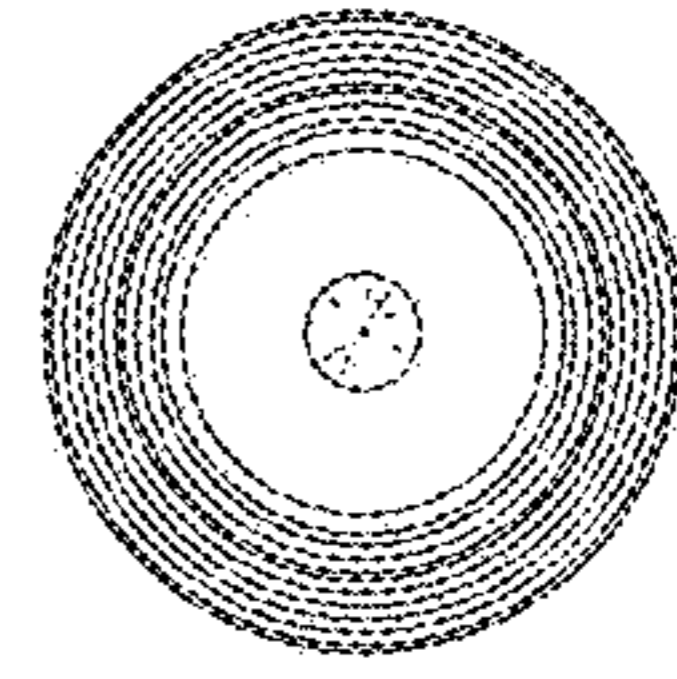


FIG. 12

