

US00D860628S

(12) **United States Design Patent** (10) **Patent No.:** **US D860,628 S**
Hu (45) **Date of Patent:** **** Sep. 24, 2019**

(54) **UMBRELLA BRACKET**
(71) Applicant: **Jianfeng Hu**, Shangyu (CN)
(72) Inventor: **Jianfeng Hu**, Shangyu (CN)
(**) Term: **15 Years**
(21) Appl. No.: **29/655,262**
(22) Filed: **Jul. 2, 2018**
(51) **LOC (12) Cl.** **03-03**
(52) **U.S. Cl.**
USPC **D3/10; D8/394**
(58) **Field of Classification Search**
USPC D3/10; D8/71, 349, 382, 394, 395, 396;
D14/209.1, 217, 229, 238; D16/242, 244,
D16/245
CPC A45B 11/00; F16M 11/00; F16M 11/02;
F16M 11/04; F16M 11/041; F16M 11/12;
F16M 11/14; H04R 1/02; H04R 1/28;
Y10T 24/44974
See application file for complete search history.

5,431,364 A * 7/1995 Etter A45B 11/00
135/16
D389,334 S * 1/1998 Attridge D3/10
D396,185 S * 7/1998 Fraser D3/10
5,836,327 A * 11/1998 Davis A45B 11/00
135/16
D413,429 S * 9/1999 Carson D3/10
D443,493 S * 6/2001 Skeem D8/72
6,276,651 B1 * 8/2001 Dolan B25B 5/10
248/229.12
D470,365 S * 2/2003 Kautzky D14/229
D470,400 S * 2/2003 Fraser D8/396
D474,012 S * 5/2003 Beltran D3/10
7,201,442 B1 * 4/2007 Decosta, Jr. A47C 7/66
135/16

(Continued)

Primary Examiner — John Windmuller
Assistant Examiner — Steven J Czyz

(57) **CLAIM**

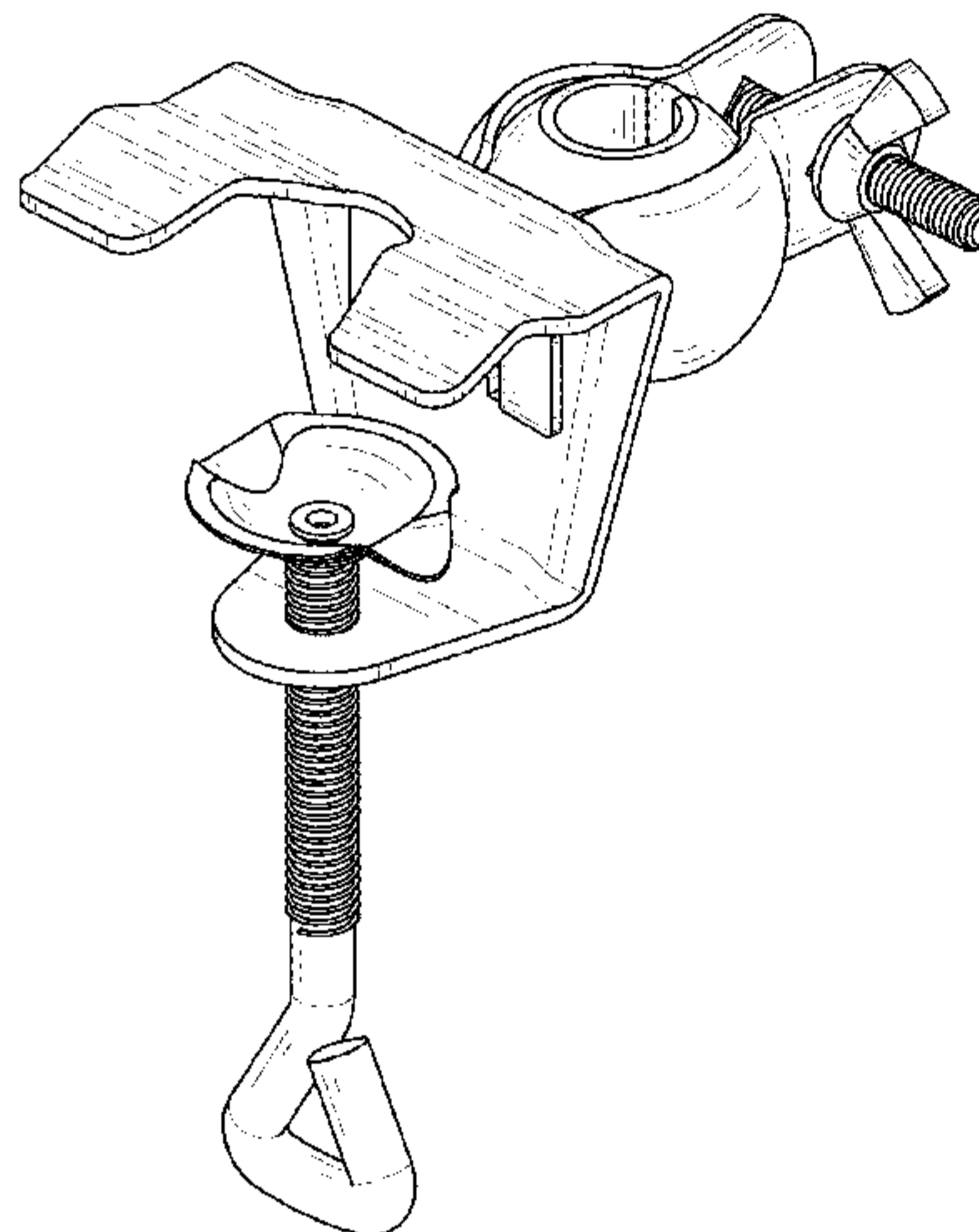
The ornamental design for an umbrella bracket, as shown and described.

DESCRIPTION

FIG. 1 is a first perspective view of an umbrella bracket showing the claimed design;
FIG. 2 is a second perspective view thereof;
FIG. 3 is a front elevational view thereof;
FIG. 4 is a rear elevational view thereof;
FIG. 5 is a left side elevational view thereof;
FIG. 6 is a right side elevational view thereof;
FIG. 7 is a top plan view thereof; and
FIG. 8 is a bottom plane view thereof.
FIG. 9 is a perspective view of the umbrella bracket shown in use; and,
FIG. 10 is a perspective view of the umbrella bracket shown in an alternate state of use.
The broken lines depict environment that forms no part of the claimed design.

(56) **References Cited**
U.S. PATENT DOCUMENTS
1,530,257 A * 3/1925 Goldberg E04H 15/28
135/120.3
2,897,694 A * 8/1959 Carney F16B 13/061
408/72 R
4,140,307 A * 2/1979 Dalmau B23Q 1/50
269/71
D253,165 S * 10/1979 Scott D8/354
D267,625 S * 1/1983 Dark D8/72
4,711,422 A * 12/1987 Ibanez A45B 11/00
248/230.5
4,800,909 A * 1/1989 Seidel A45B 9/00
135/16
D311,129 S * 10/1990 Barnhill, III 248/514
5,310,155 A * 5/1994 Wu F16M 13/022
224/274
D352,390 S * 11/1994 Shrum D3/10

1 Claim, 10 Drawing Sheets



(56)

References Cited

U.S. PATENT DOCUMENTS

D556,531 S * 12/2007 Allen D8/72
D574,144 S * 8/2008 Ortiz-Gavin D3/10
D596,658 S * 7/2009 Dordick D16/242
D634,114 S * 3/2011 Liao D3/10
7,980,521 B2 * 7/2011 Harr A61M 5/1415
248/220.21
8,146,879 B2 * 4/2012 Liao A45B 11/00
248/514
8,196,882 B2 * 6/2012 Antus, Jr. A45B 3/00
135/16
D668,522 S * 10/2012 Henderson D8/73
D711,731 S * 8/2014 Sugiura D17/22
8,820,336 B1 * 9/2014 Schneberger A45B 11/00
135/16
D720,385 S * 12/2014 Lampp D16/245
8,950,723 B1 * 2/2015 Fogelstrom A45B 11/00
135/16
D723,262 S * 3/2015 Macmillan D3/10
D736,073 S * 8/2015 Eriksson D8/394
D738,100 S * 9/2015 Forthuber D3/10
D739,710 S * 9/2015 Bukovitz D4/199
D749,940 S * 2/2016 Hermle D8/394
D766,075 S * 9/2016 Milbank D8/394
D767,983 S * 10/2016 Jiang D8/394
9,476,541 B1 * 10/2016 Kastner F16M 13/02
D777,020 S * 1/2017 Zlatic D8/394
D777,240 S * 1/2017 Costa D16/245
9,615,636 B2 * 4/2017 Harrison A45B 11/00
9,915,854 B2 * 3/2018 Kim G03B 15/05
D834,403 S * 11/2018 Mercieca D8/382
10,149,523 B2 * 12/2018 Cooley E04H 12/2238
10,161,563 B1 * 12/2018 Liao G10G 5/00
10,174,511 B2 * 1/2019 Lutes F16M 13/022
D845,378 S * 4/2019 Chuang D16/242
D850,519 S * 6/2019 Kim D16/237

* cited by examiner

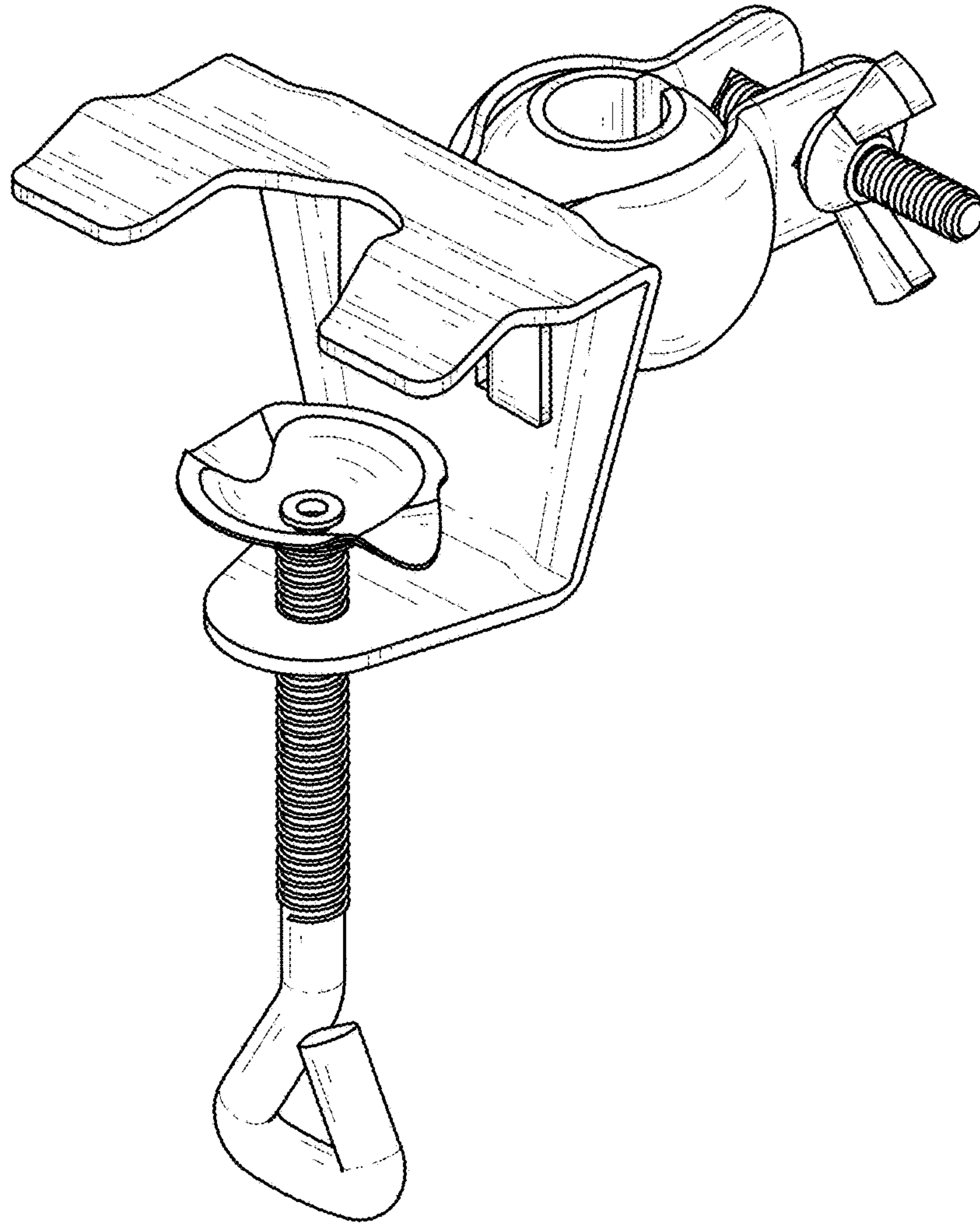


FIG. 1

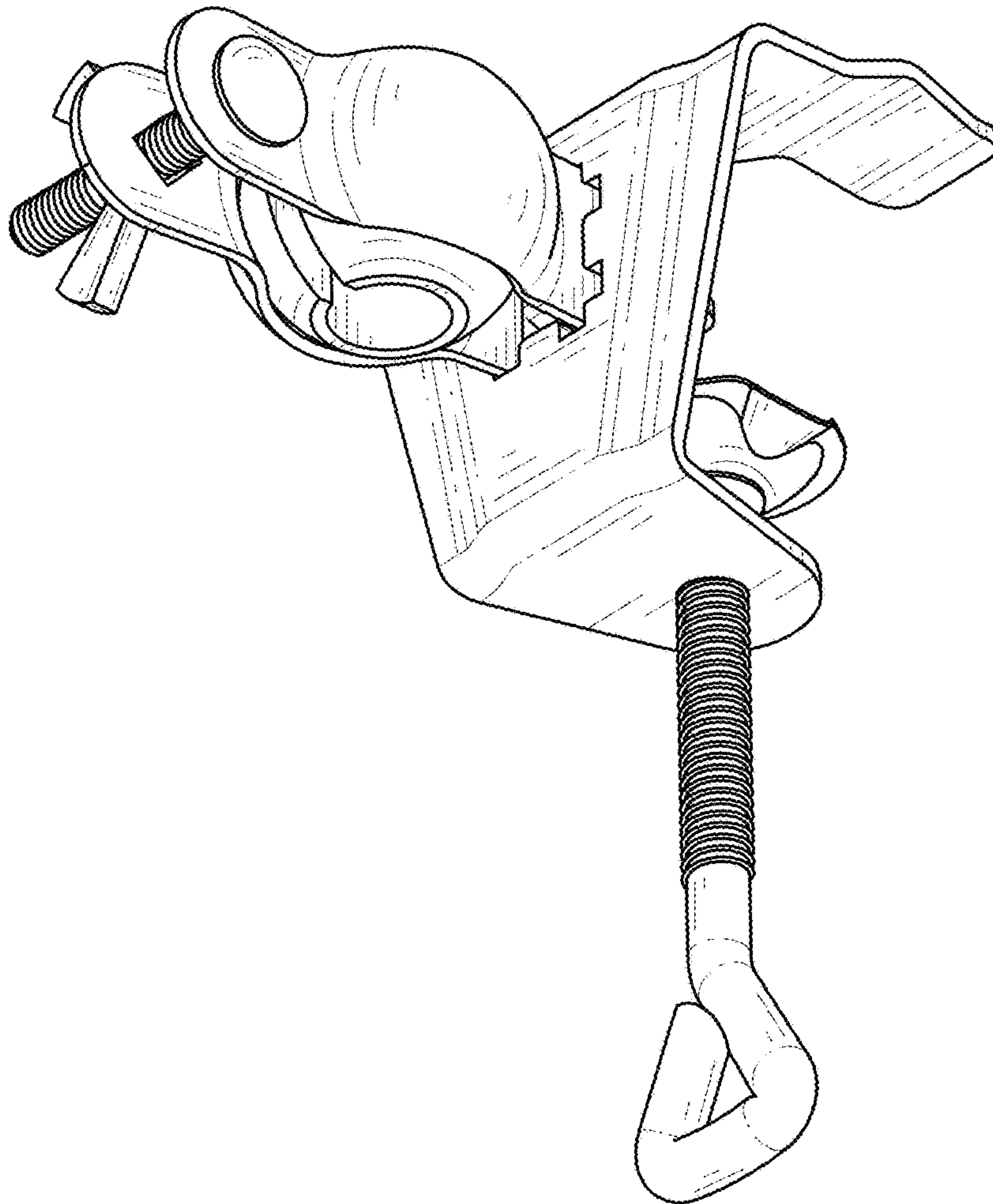


FIG. 2

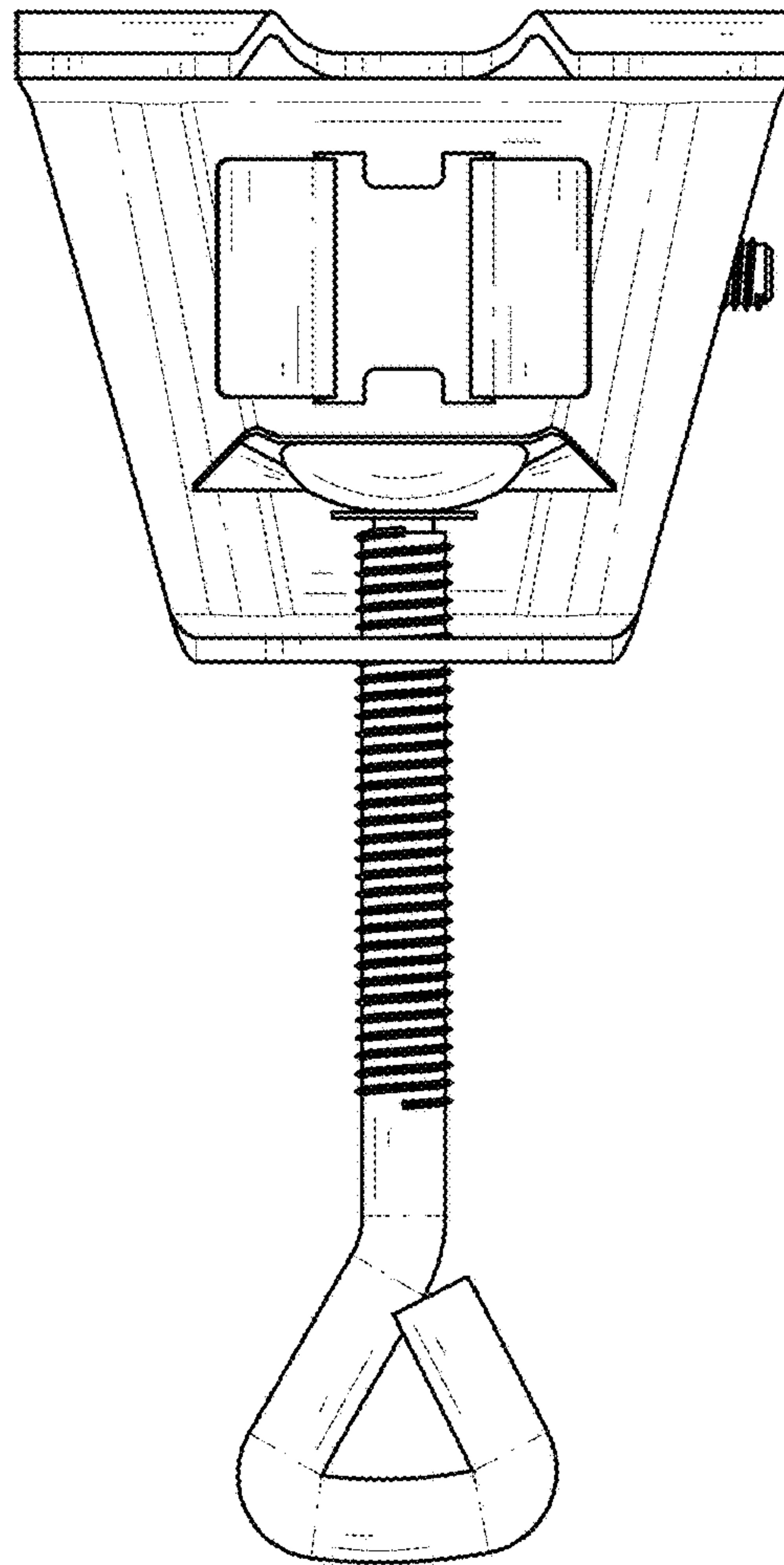


FIG. 3

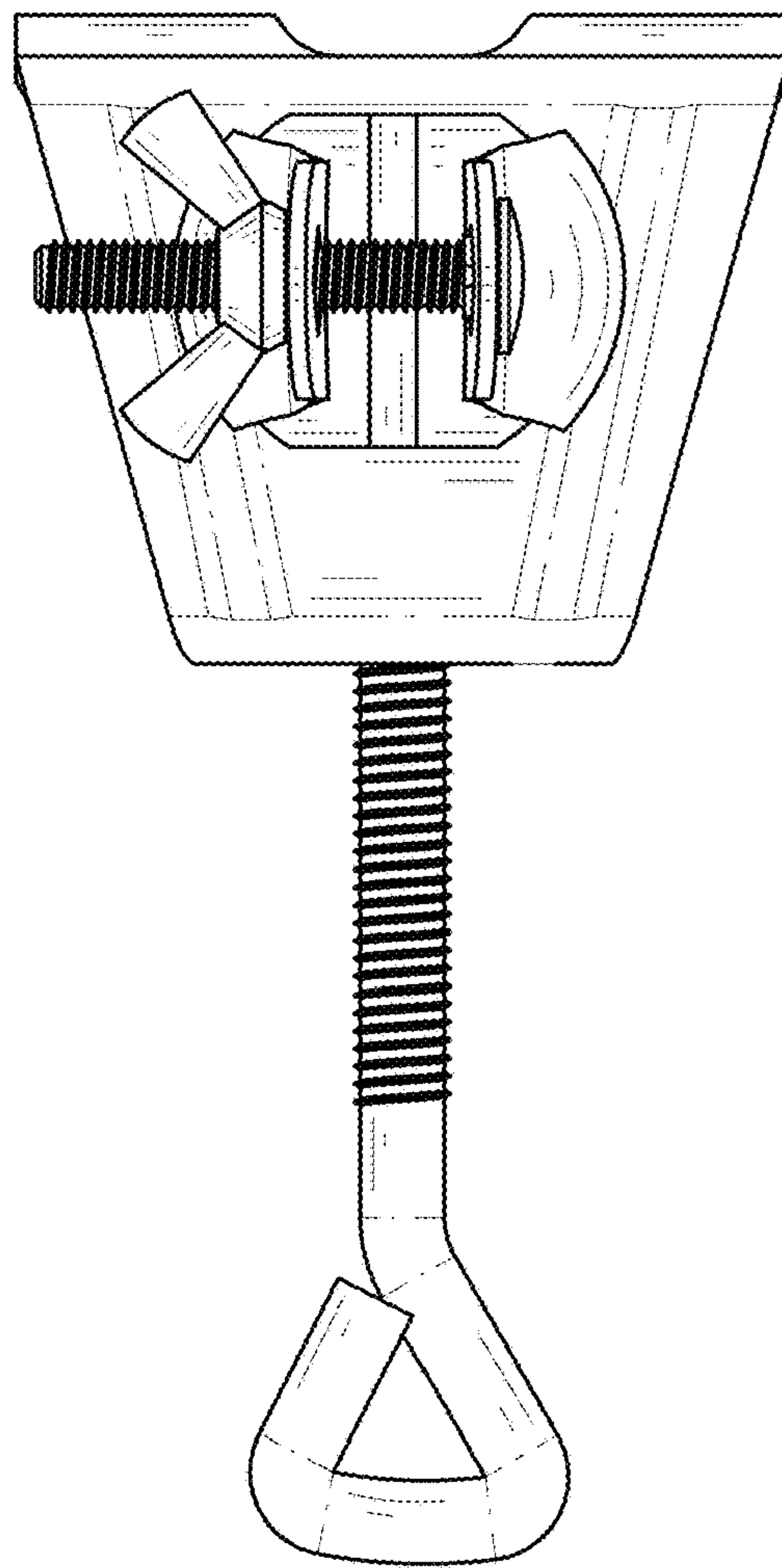


FIG. 4

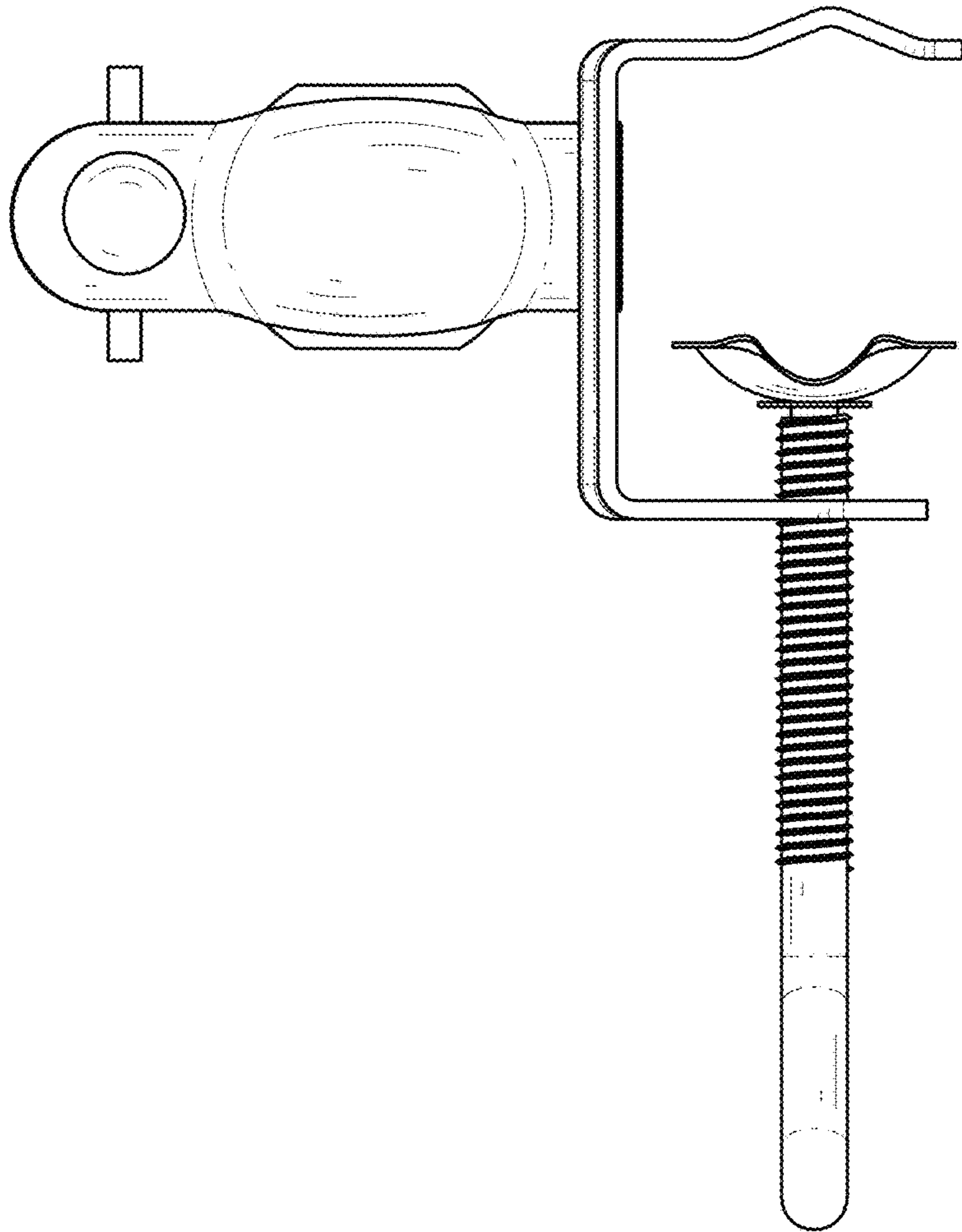


FIG. 5

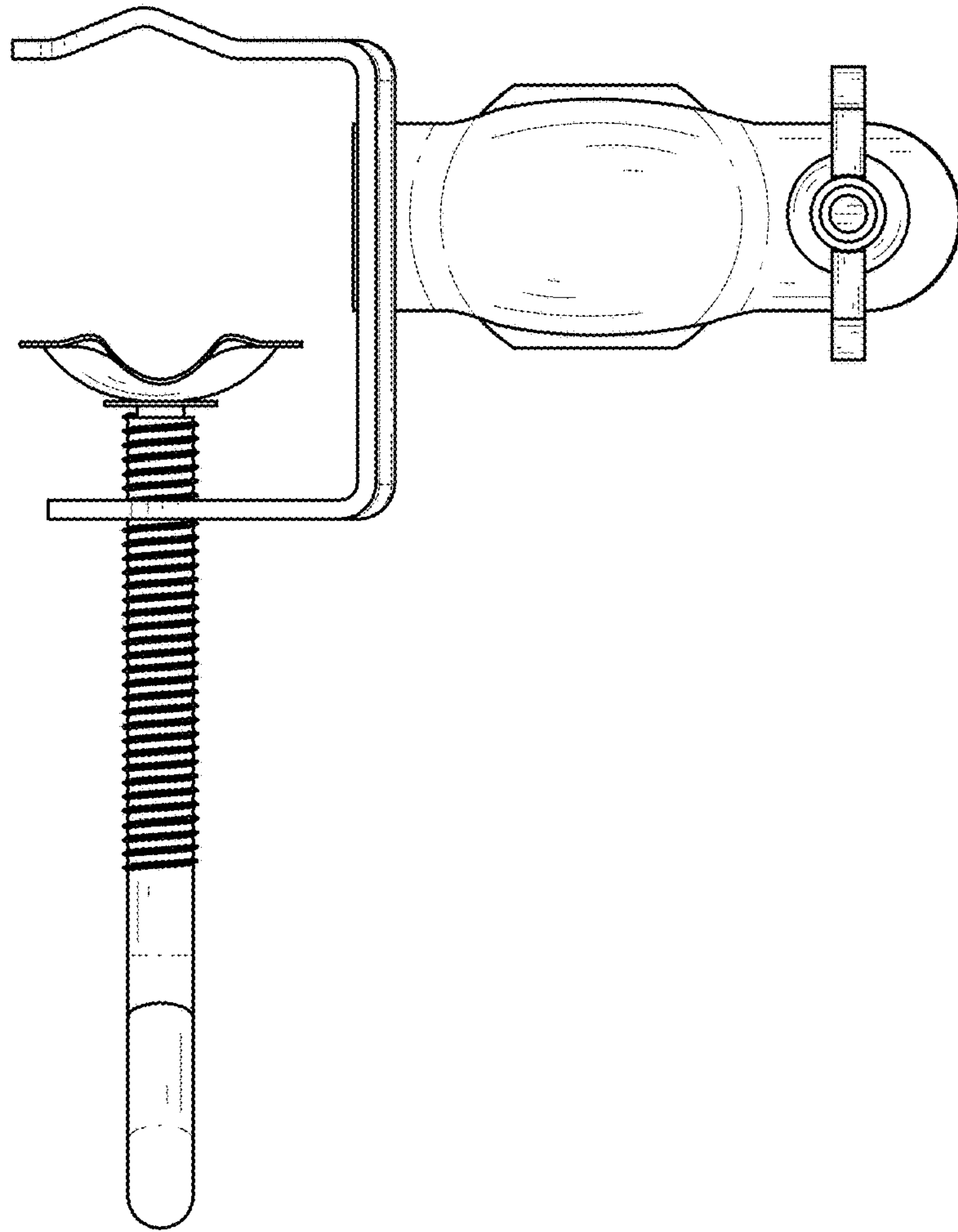


FIG. 6

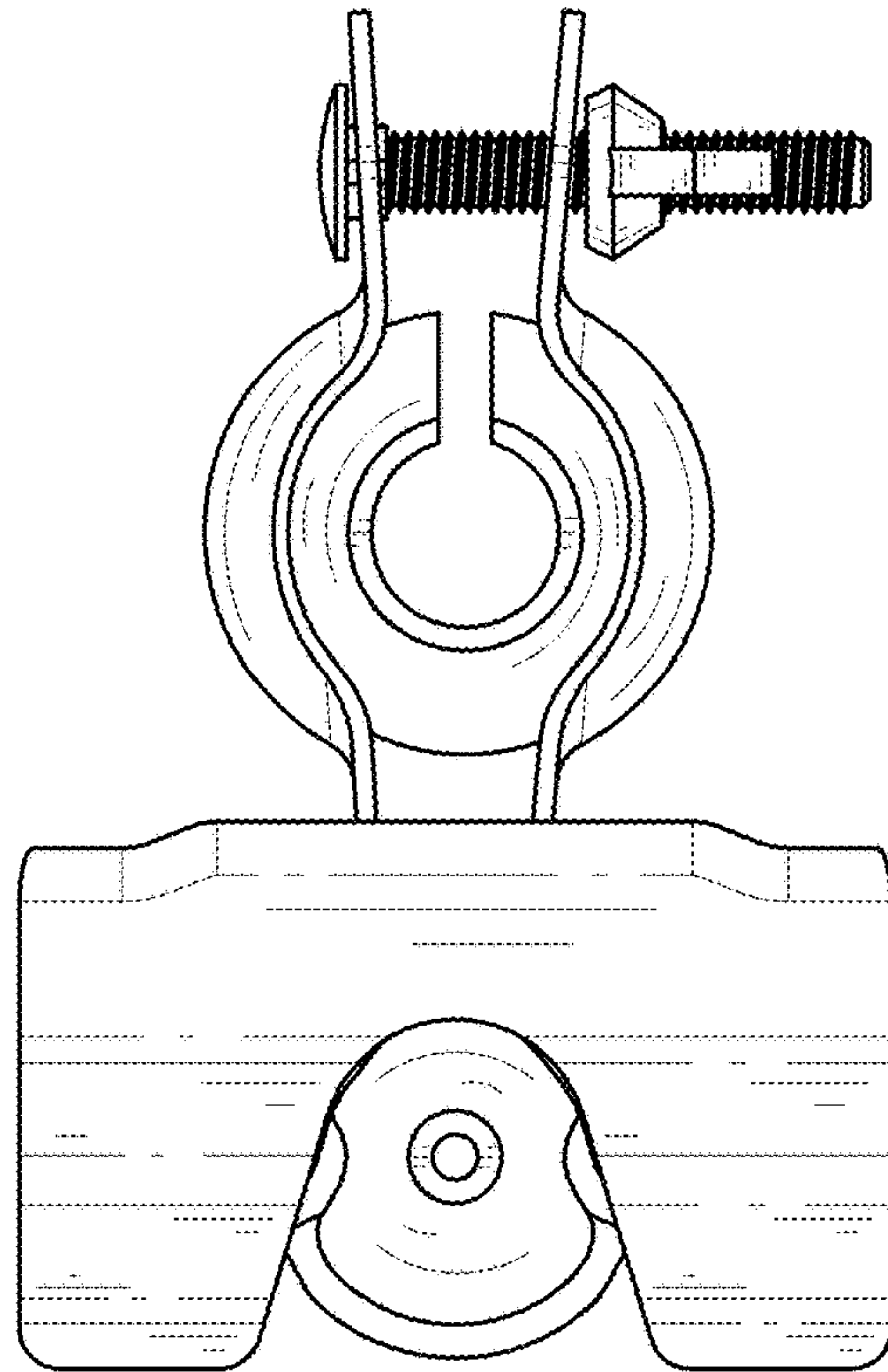


FIG. 7

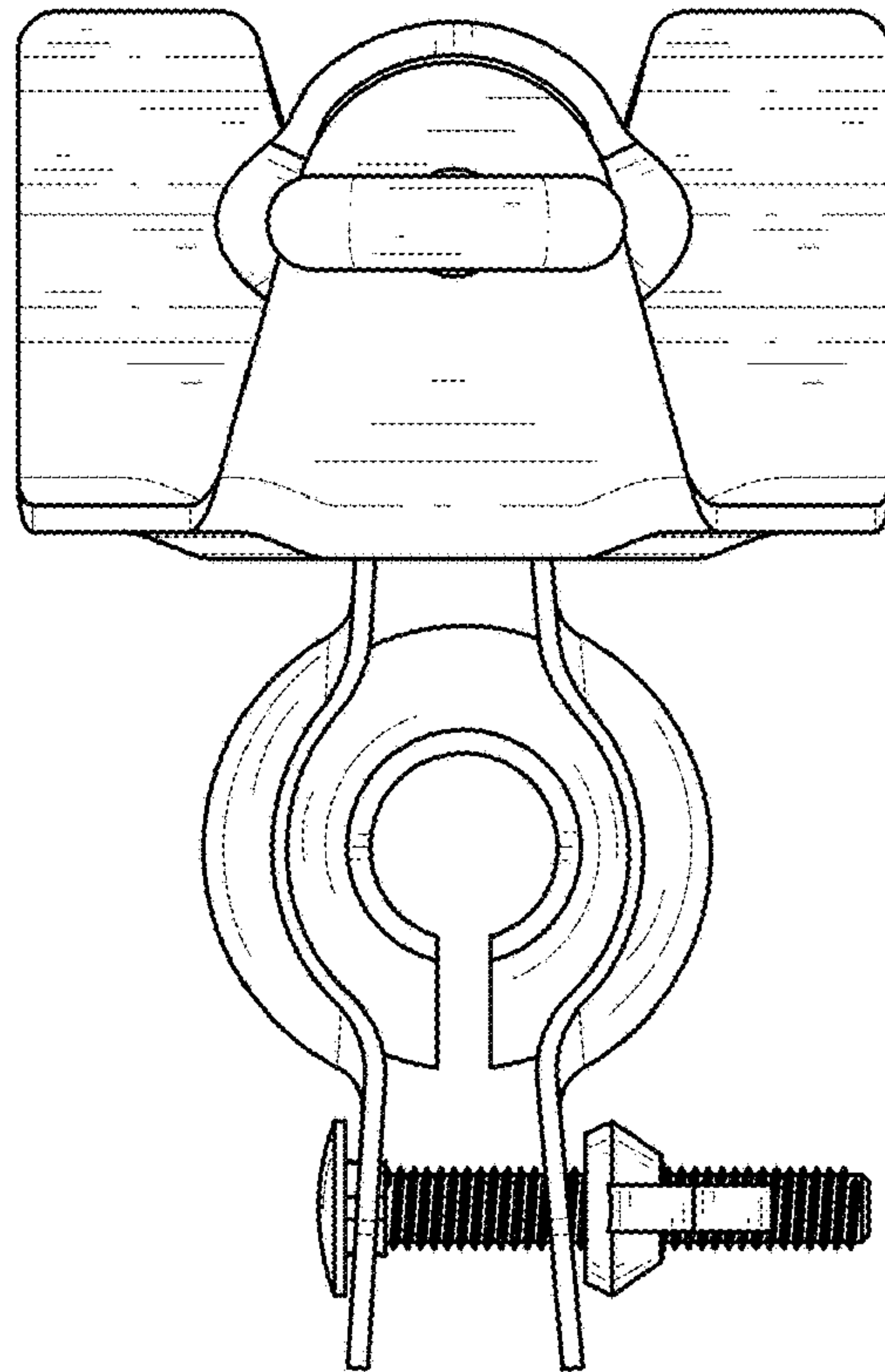


FIG. 8

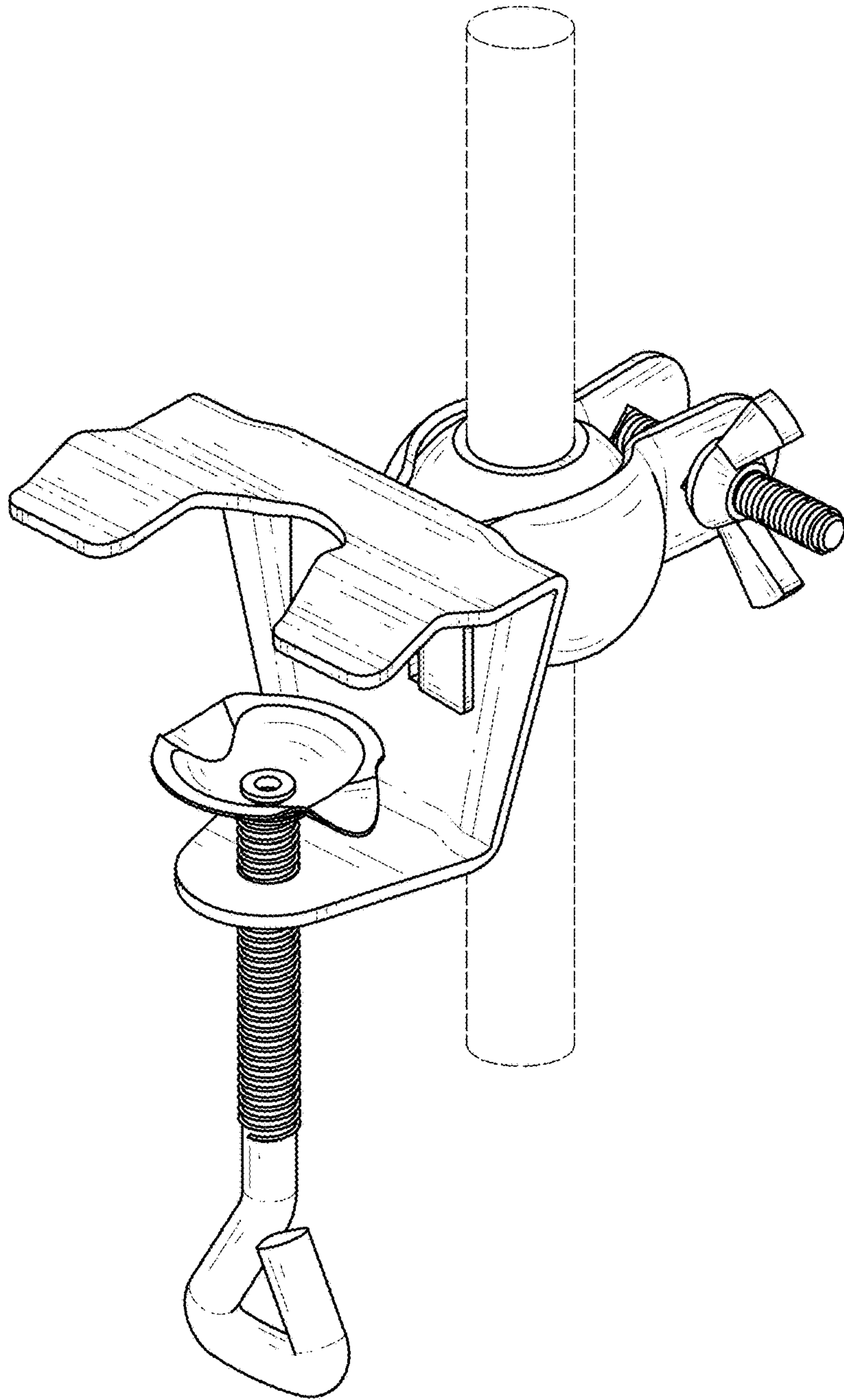


FIG. 9

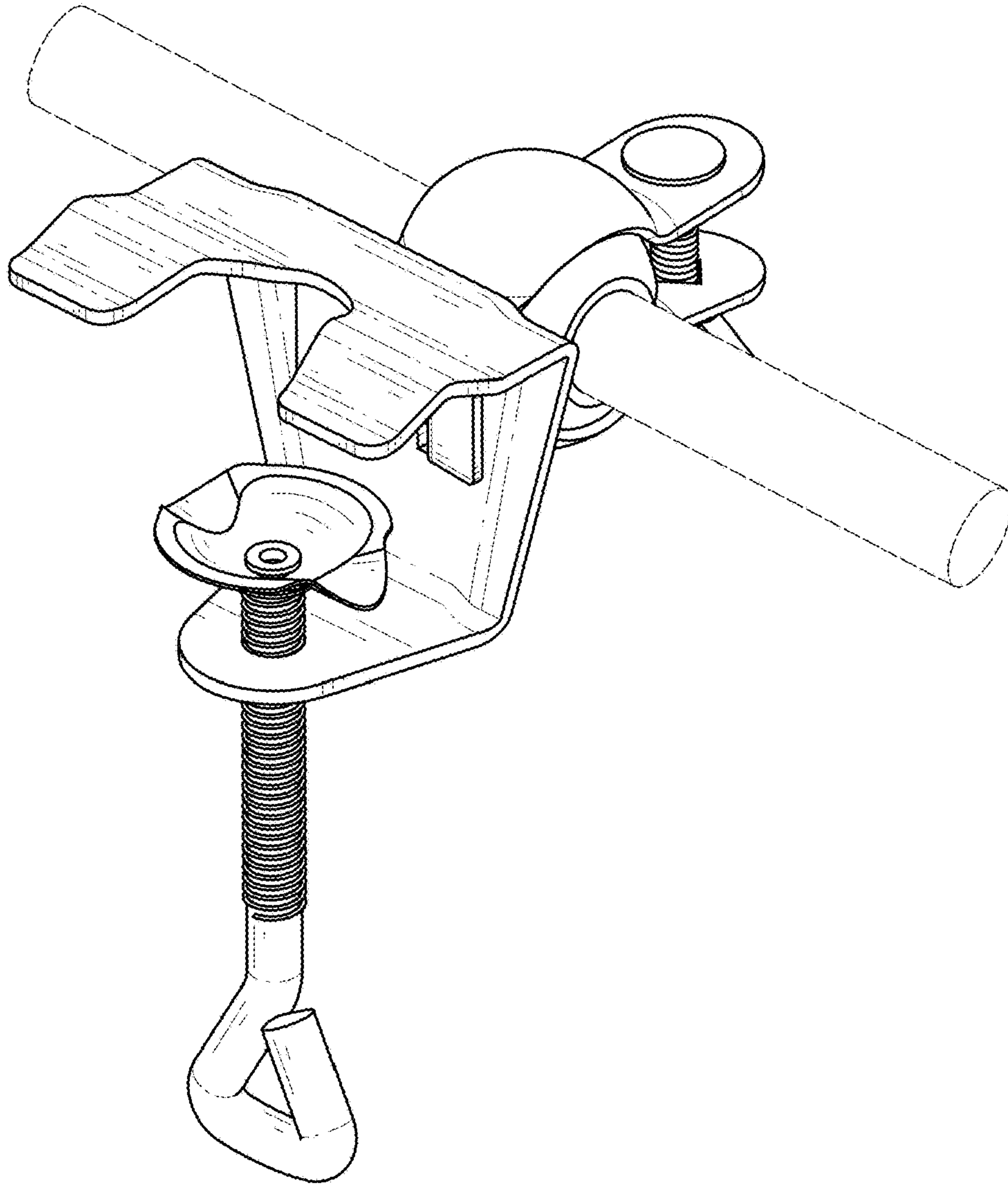


FIG. 10