

US00D860595S

(12) **United States Design Patent** (10) **Patent No.:** **US D860,595 S**
Kniffin (45) **Date of Patent:** **** Sep. 24, 2019**

- (54) **CHILDCARE APPLIANCE**
- (71) Applicant: **BooginHead LLC**, Issaquah, WA (US)
- (72) Inventor: **Elicia Kniffin**, Scottsdale, AZ (US)
- (73) Assignee: **BOOGINHEAD LLC**, Issaquah, WA (US)
- (**) Term: **15 Years**
- (21) Appl. No.: **29/618,181**
- (22) Filed: **Sep. 19, 2017**
- (51) **LOC (12) Cl.** **02-02**
- (52) **U.S. Cl.**
USPC **D2/861**
- (58) **Field of Classification Search**
USPC D2/500, 860, 861, 863; D19/33;
D24/194, 195
CPC A41B 13/10; A61J 17/007; A61J 17/02;
G09F 3/14
See application file for complete search history.

cheekychompers.com/shop.
www.amazon.co.uk/Mum2Mum-Teething-Bandana-Silicone-Teether/dp/B01N9EKHIU/ref=sr_1_2_a_it?ie=UTF8&qid=1505354232&sr=8-2&keywords=mum+to+mum+bib.
www.amazon.com/2Packs-Bandana-Absorbent-Chewable-Teether/dp/B01GJ331WVU/ref=1_161_s_it?s=baby-products&ie=UTF8&qid=1502913969&sr=1-161&keywords=teether+bib.
www.amazon.com/Bandana-pacifier-6-Piece-Drooling-Teething/dp/B0711X4QYG/ref=sr_1_14_s_it?s=baby-products&ie=UTF8&qid=1502913506&sr=1-14&keywords=teether+bib.
www.amazon.com/Bazzele-Baby-Absorbent-Adjustable-Available/dp/B073H4J4G7/ref=sr_1_20_s_it?s=baby-products&ie=UTF8&qid=1502913506&sr=1-20&keywords=teether%2Bbib&th=1.
www.amazon.com/Little-Beginnings-2-Piece-Bandana-Teether/dp/B01NAN7PTF/ref=sr_1_83_s_it?s=baby-products&ie=UTF8&qid=1502913768&sr=1-83&keywords=teether+bib.

(Continued)

Primary Examiner — Kevin K Rudzinski
Assistant Examiner — Paul D Bohannon
 (74) *Attorney, Agent, or Firm* — AEON Law, PLLC;
 Adam L. K. Philipp; Jonathan E. Olson

(56) **References Cited**

U.S. PATENT DOCUMENTS

- 2,059,092 A * 10/1936 Donovan G09F 3/14
40/662
- D179,831 S * 3/1957 Young D2/500
- D277,031 S * 1/1985 Panicci D24/194
- D340,795 S * 11/1993 Matthews D2/861
- D341,203 S * 11/1993 Panicci D24/194
- D357,746 S * 4/1995 Sofia D24/194
- D381,751 S * 7/1997 Lun D24/194
- D434,795 S * 12/2000 Huberman D19/26
- D444,617 S * 7/2001 Dunn D2/860
- D449,917 S * 11/2001 Dunn D2/860
- D780,400 S * 3/2017 Livingstone A41B 13/10
D2/500

OTHER PUBLICATIONS

“Pickle & Olive Baby/Toddler Pink Girl Bandana Teething Bibs . . . ” Jan. 11, 2017, amazon.com, site visited Jan. 2, 2019 <https://www.amazon.com/Pickle-Olive-Teething-Water-Resistant-Adjustable/dp/B01MQWJLMG/ref=cm_cr_arp_product_top?ie=UTF8&th=1> (Year: 2017).*

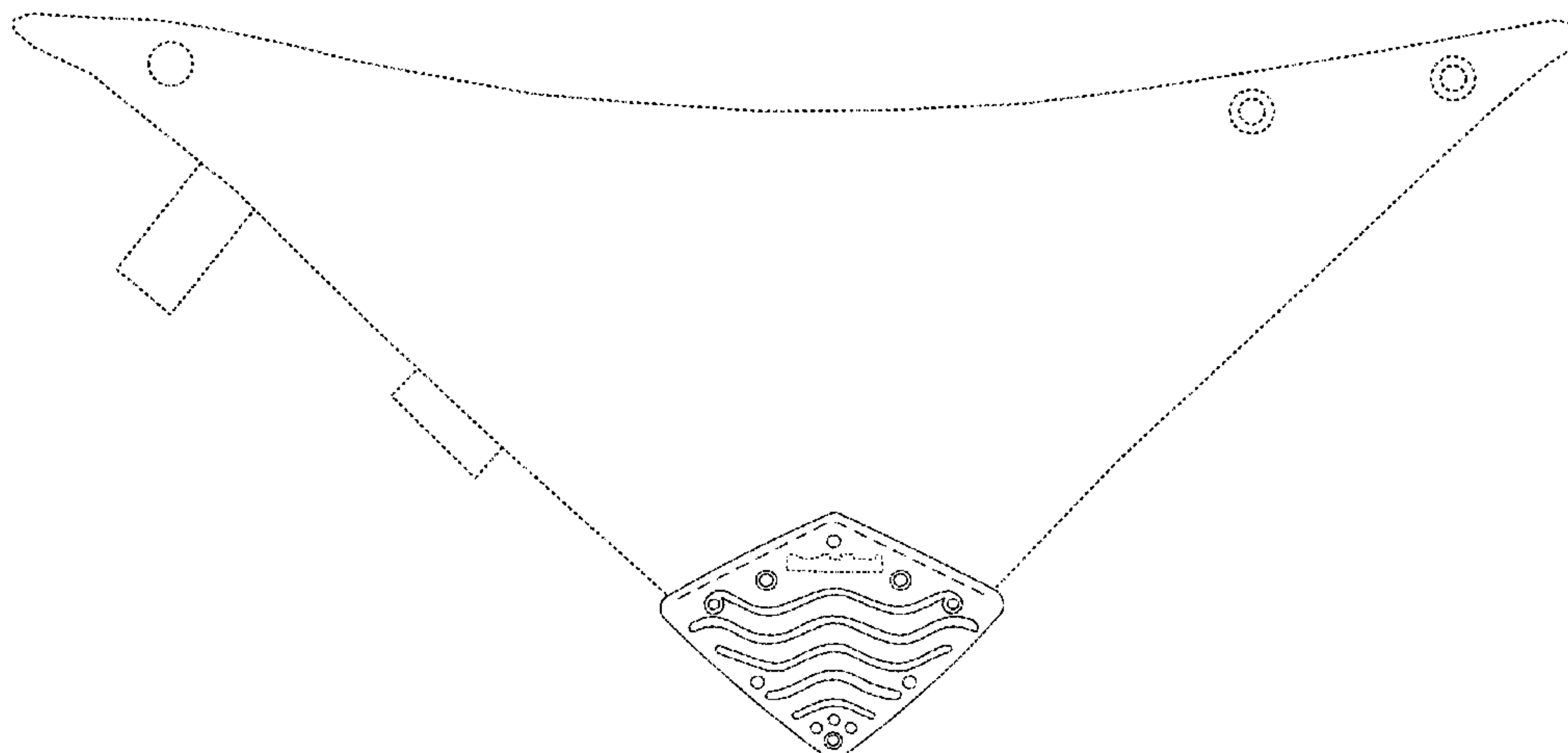
(57) **CLAIM**

The ornamental design for a childcare appliance, as shown and described.

DESCRIPTION

FIG. 1 is a plan view of a childcare appliance;
 FIG. 2 is a an opposite plan view thereof;
 FIG. 3 is a front perspective view thereof;
 FIG. 4 is an elevation view thereof; and,
 FIG. 5 is an opposite side view thereof.
 The longer dash-dash broken line shown in FIGS. 1-3 illustrates stitching and form part of the claimed design.
 The finer broken lines of FIGS. 1-5 illustrate portions of the childcare appliance, or illustrate environmental matter, that form no part of the claimed design.

1 Claim, 4 Drawing Sheets



(56)

References Cited

OTHER PUBLICATIONS

www.amazon.com/My-Little-Sweet-Pea-Featuring/dp/B01GD4RAR2/ref=sr_1_29_s_it?s=baby-products&ie=UTF8&qid=1502913642&sr=1-29&keywords=teether+bib.

www.amazon.com/Organic-Drooling-Teething-Absorbent-Silicone/dp/B074FC6RZF/ref=sr_1_119_s_it?s=baby-products&ie=UTF8&qid=1502913861&sr=1-119&keywords=teether%2Bbib&th=1.

www.amazon.com/Pickle-Olive-Teething-Water-Resistant-Adjustable/dp/B01MQVWLMG/ref=sr_1_3_s_it?s=baby-products&ie=UTF8&qid=1502913448&sr=1-3&keywords=teether%2Bbib&th=1.

www.amazon.com/Teething-Reversible-Silicone-Teether-Attached-Baby/dp/B01ET73GX2/ref=sr_1_22_s_it?s=baby-products&ie=UTF8&qid=1502913506&sr=1-22&keywords=teether+bib.

www.nuby.com/usa/en/teething-bib.

www.target.com/p/nuby-bandana-bib-with-teether/-/A-50329425#lnk=sametab.

* cited by examiner

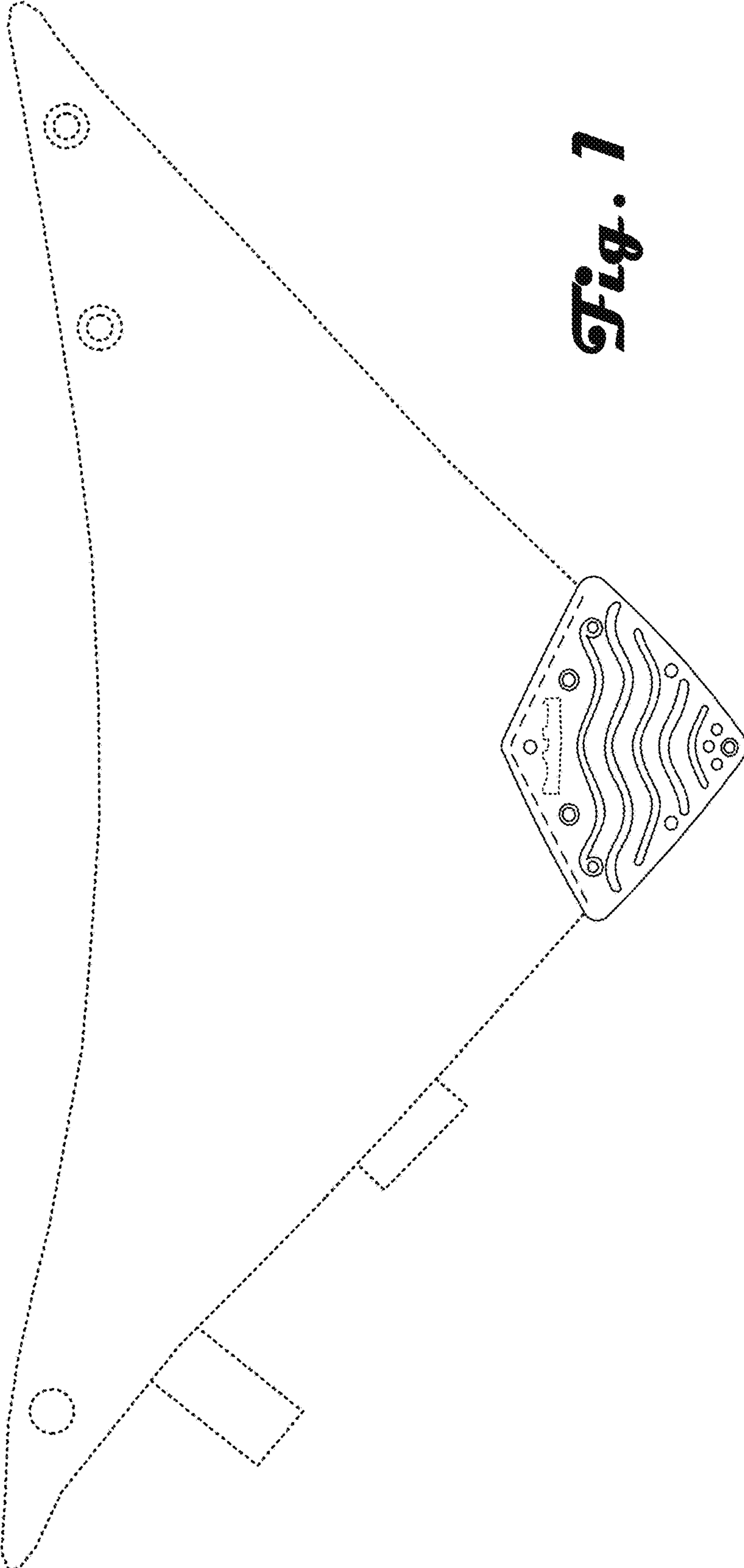


Fig. 1

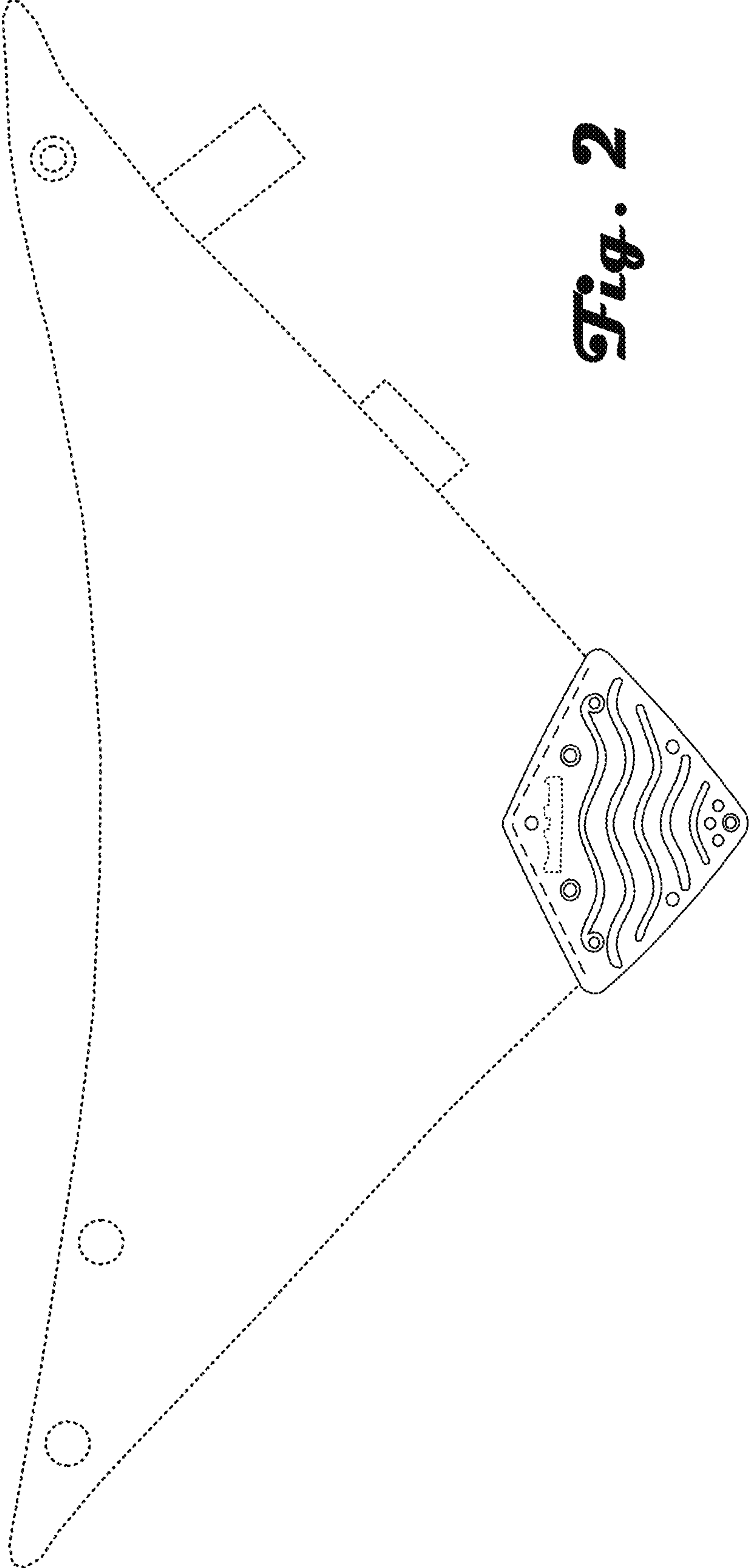


Fig. 2

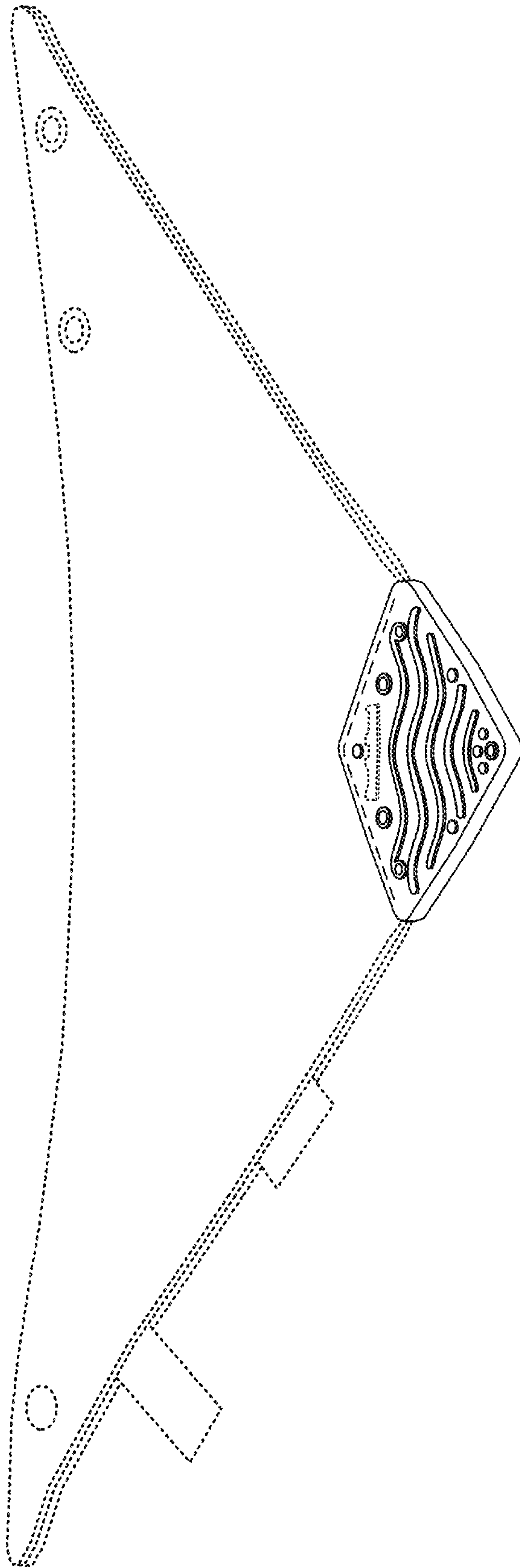


Fig. 3

