



US00D860581S

(12) **United States Design Patent**  
**Enoch**

(10) **Patent No.:** **US D860,581 S**

(45) **Date of Patent:** **\*\* Sep. 24, 2019**

(54) **KNEE AND CORE WARMER**

(71) Applicant: **WenXin Enoch**, Montgomery, AL (US)

(72) Inventor: **WenXin Enoch**, Montgomery, AL (US)

(\*\*) Term: **15 Years**

(21) Appl. No.: **29/598,973**

(22) Filed: **Mar. 30, 2017**

(51) **LOC (12) Cl.** ..... **02-01**

(52) **U.S. Cl.**  
USPC ..... **D2/702**

(58) **Field of Classification Search**  
USPC ..... D2/712, 714, 738, 742, 743, 745, 748,  
D2/983, 700-702  
CPC ..... A41D 1/06; A41D 1/062; A41D 1/065;  
A41D 1/067; A41D 1/08; A41D 1/089;  
A41D 17/02; A41B 9/08; A41B 11/14;  
A61F 13/496

See application file for complete search history.

(56) **References Cited**

**U.S. PATENT DOCUMENTS**

2,654,890	A *	10/1953	Trope	.....	A41F 11/00
					2/306
2,740,969	A *	4/1956	Dubner	.....	A41F 11/00
					450/111
3,005,990	A *	10/1961	Owen	.....	A41C 1/00
					2/306
3,463,162	A *	8/1969	Heggie	.....	A41B 11/12
					2/240
3,466,667	A *	9/1969	Rosner	.....	A41B 11/14
					2/240
D731,779	S *	6/2015	Balisy	.....	D2/742

9,572,381	B2 *	2/2017	Maryea	.....	A41D 15/00
D798,028	S *	9/2017	Mnisser	.....	D2/742
D818,138	S *	5/2018	Nicosia	.....	D24/206
2007/0101475	A1 *	5/2007	Skottheim	.....	A41D 13/015
					2/69
2015/0150309	A1 *	6/2015	Huang	.....	A41C 1/02
					450/116
2016/0206020	A1 *	7/2016	Knapp	.....	A41D 13/0543

**FOREIGN PATENT DOCUMENTS**

DE	3714299	A1 *	12/1988	.....	A41B 11/04
FR	2593679	A1 *	8/1987	.....	A41B 11/14
JP	3164938	U *	12/2010		

\* cited by examiner

*Primary Examiner* — R. Johnson

(74) *Attorney, Agent, or Firm* — Rudy Hill; Bradley Arant Boult Cummings LLP

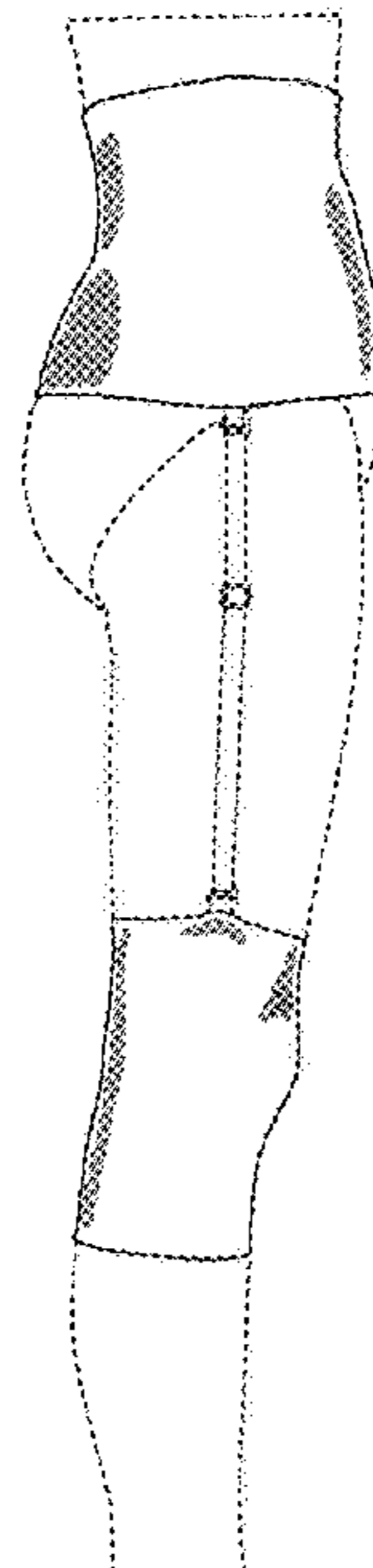
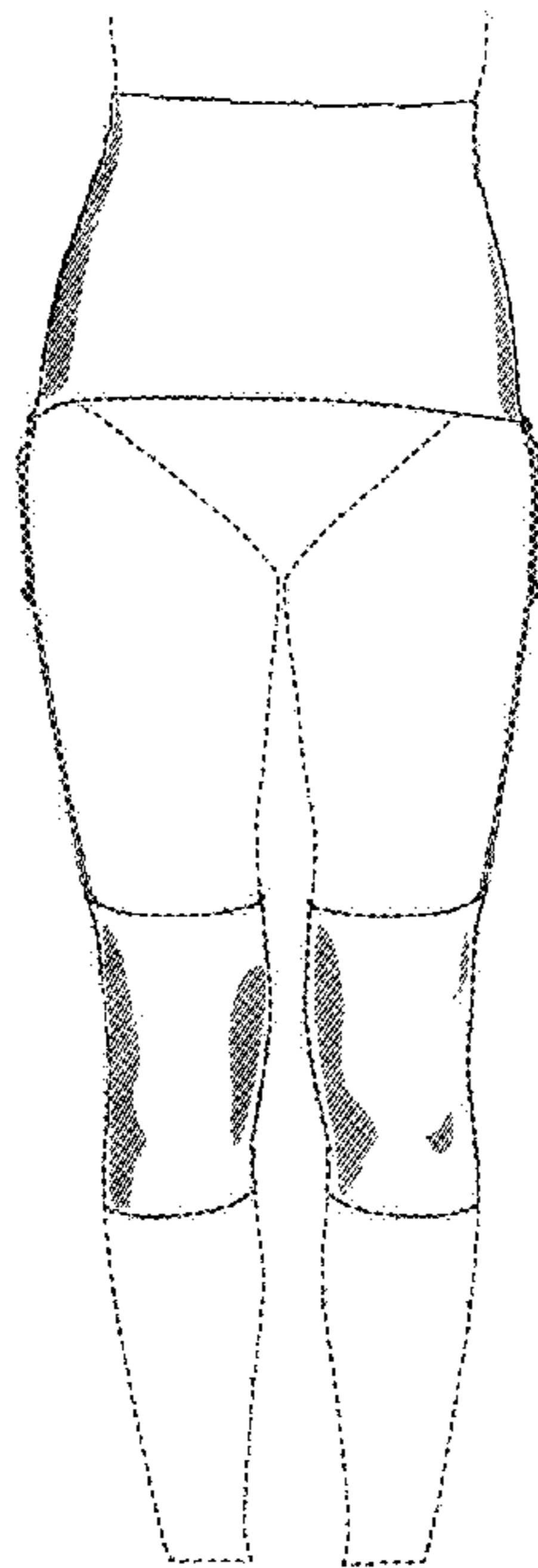
(57) **CLAIM**

The ornamental design for a knee and core warmer, as shown and described.

**DESCRIPTION**

FIG. 1 is a front perspective view of a knee and core warmer showing the new design as being worn;  
FIG. 2 is a left side view thereof;  
FIG. 3 is a rear view thereof;  
FIG. 4 is a right side view thereof;  
FIG. 5 is a front view of the knee and core warmer while not being worn by a person; and,  
FIG. 6 is a front view thereof, with the upper and lower portions turned inside out.  
The broken lines showing the human form illustrate environmental structure and form no part of the claimed design.

**1 Claim, 6 Drawing Sheets**



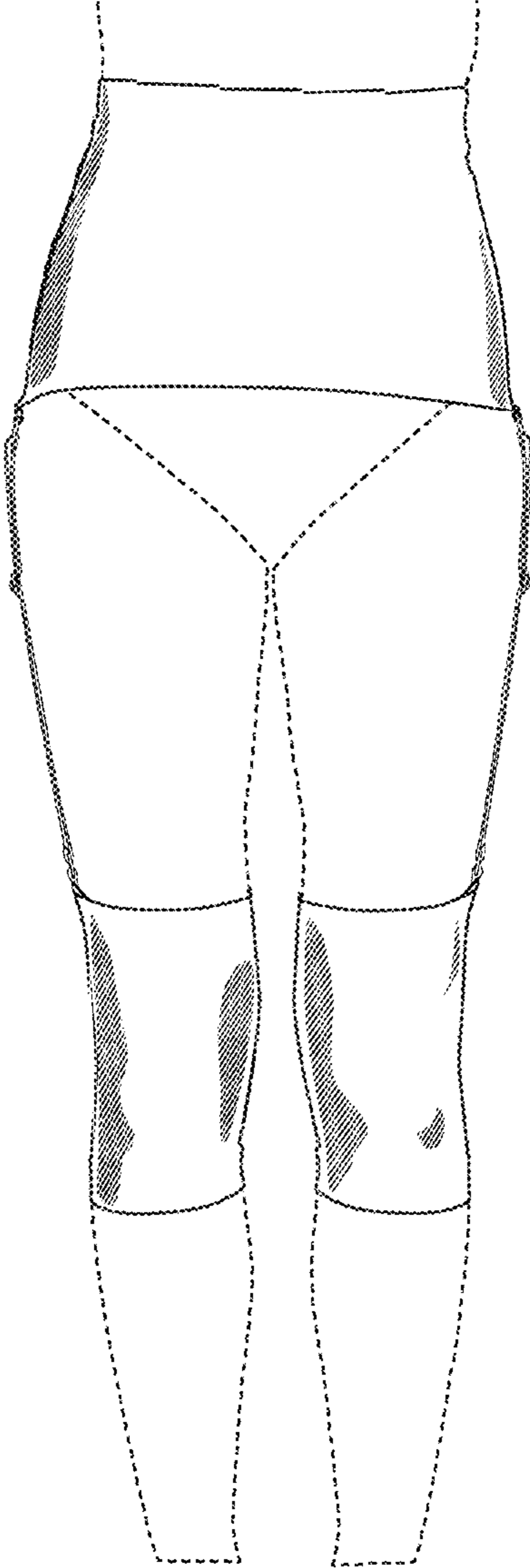


FIG. 1

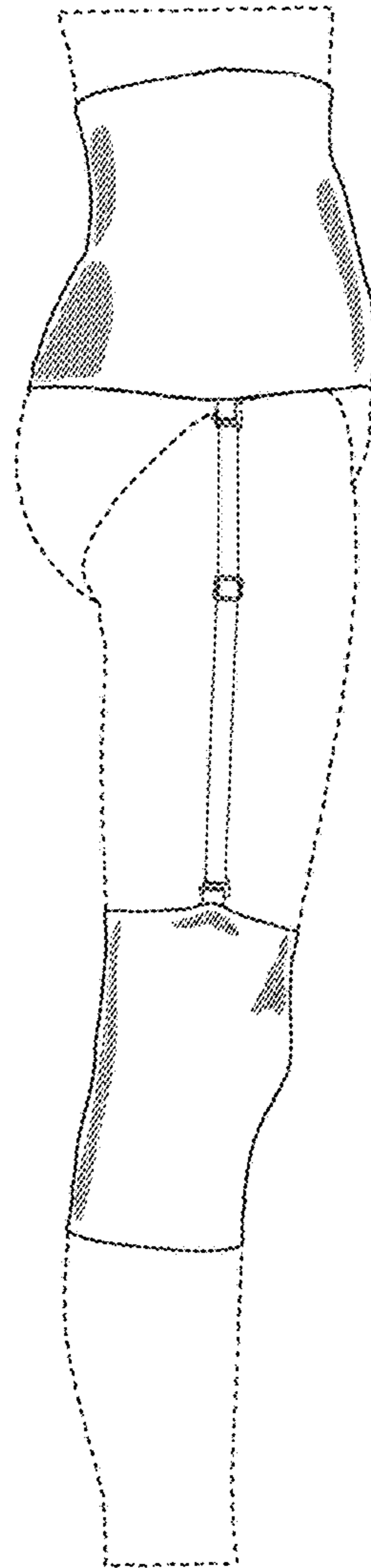


FIG. 2

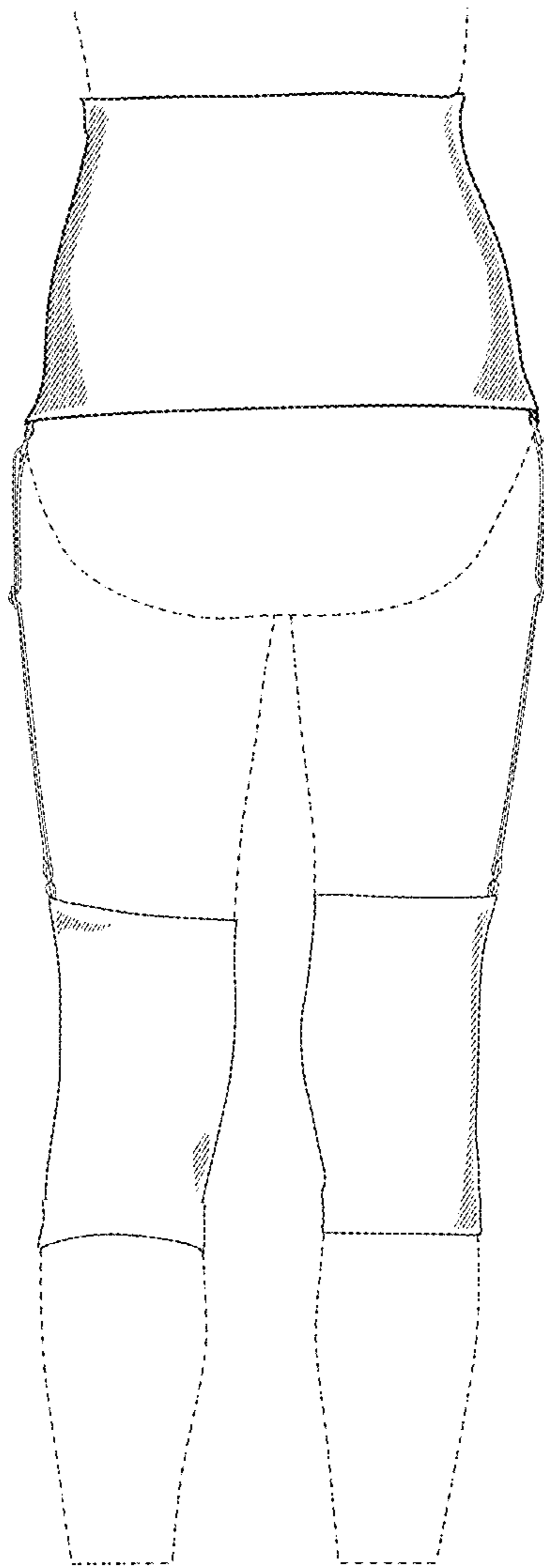


FIG. 3

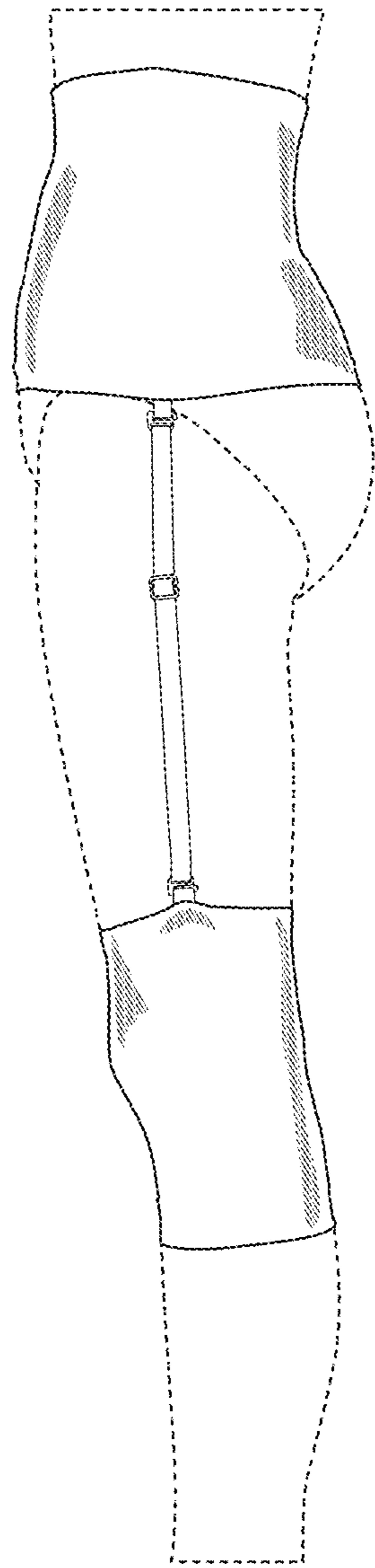


FIG. 4

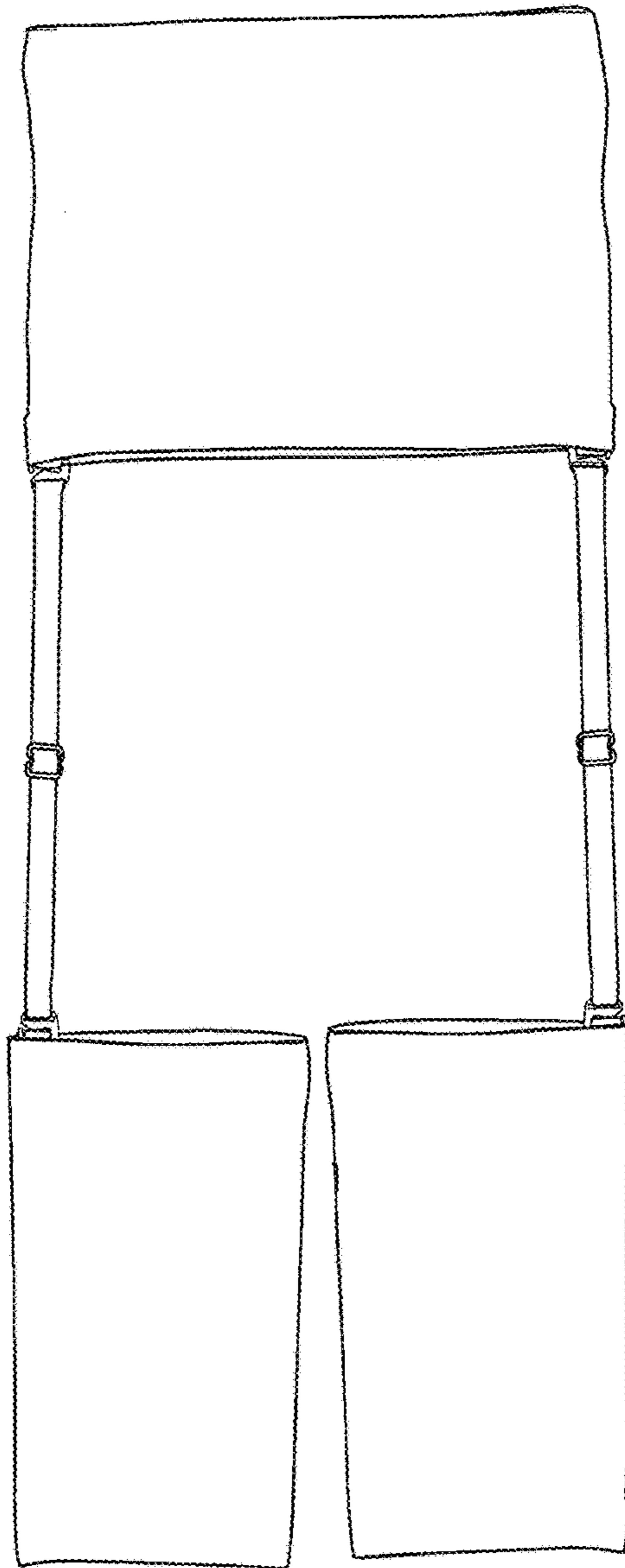


FIG. 5

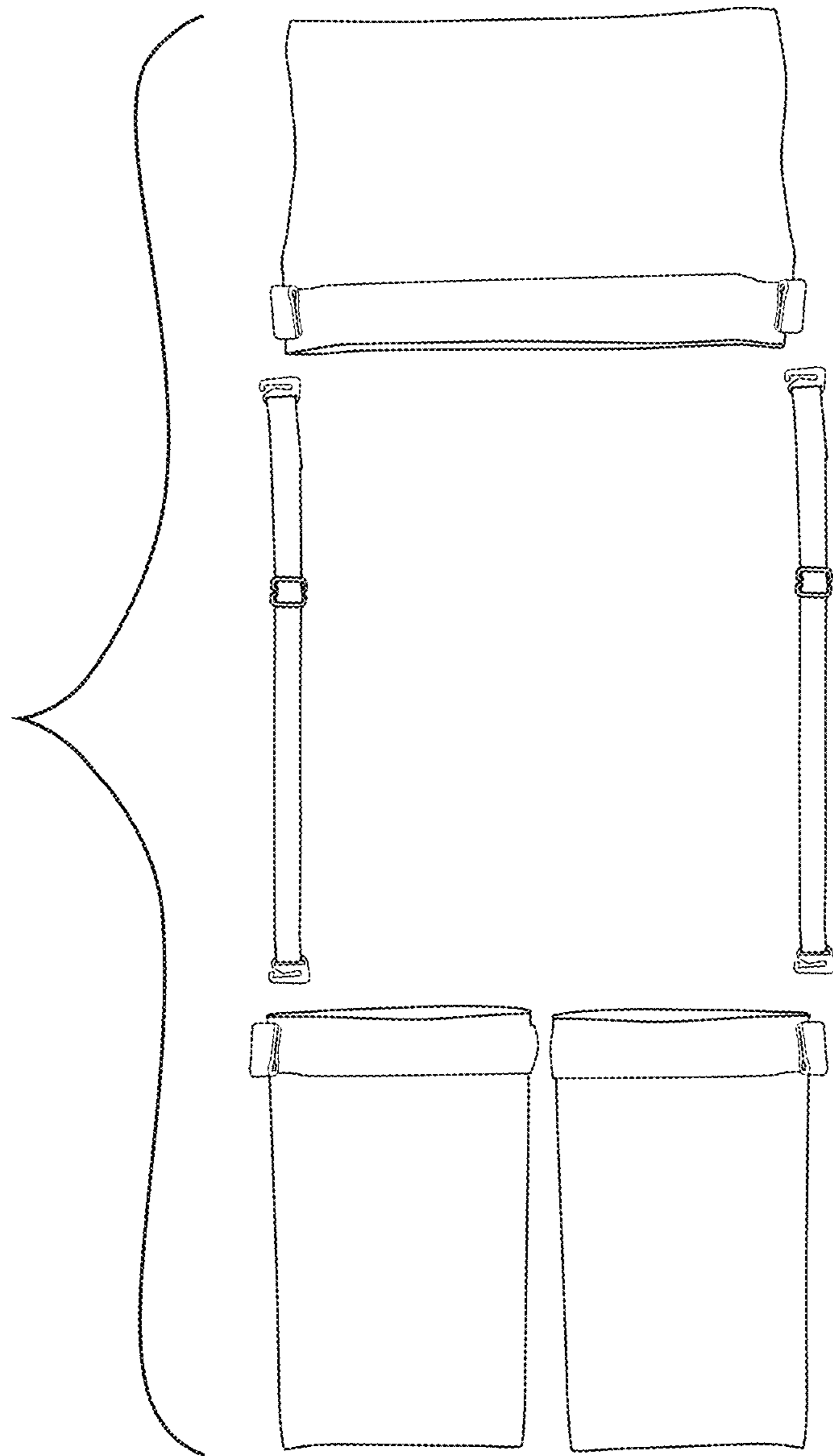


FIG. 6