



US00D860579S

(12) **United States Design Patent**  
**McCabe**

(10) **Patent No.:** **US D860,579 S**

(45) **Date of Patent:** **\*\* Sep. 17, 2019**

(54) **PORTABLE SAFE**

(71) Applicant: **Todd L. McCabe**, Alpine, UT (US)

(72) Inventor: **Todd L. McCabe**, Alpine, UT (US)

(\*\*) Term: **15 Years**

(21) Appl. No.: **29/646,187**

(22) Filed: **May 2, 2018**

**Related U.S. Application Data**

(63) Continuation-in-part of application No. 13/479,000, filed on May 23, 2012, now abandoned.

(51) **LOC (12) Cl.** ..... **99-00**

(52) **U.S. Cl.**  
USPC ..... **D99/28**

(58) **Field of Classification Search**  
USPC .... D99/28, 34, 35, 36, 43, 99; D3/900, 901, D3/902, 903, 905; D18/3.1, 3.3, 12.1  
CPC ..... A45C 1/12; A45C 2001/125; A45C 2001/102; A45C 2001/104; A45C 2001/006; A45C 2001/003; A45C 2001/105; A45C 2001/107; E05G 1/00; E05G 1/005; E05G 1/024; E05G 1/026; E05G 5/00; E05G 7/00; E05G 7/001; E05G 2700/00; E05G 2700/02; B63C 7/30; G07D 9/00; G07D 9/002; G07D 9/004; G07D 9/006; G07D 9/008; G07D 9/02; G07D 9/04; G07D 9/06; G07D 9/065; G07D 11/00; G07D 11/0021; G07D 13/00; G07D 2201/00; G07D 2211/00; G07F 9/06; G07F 9/08  
See application file for complete search history.

(56) **References Cited**

**U.S. PATENT DOCUMENTS**

746,205 A \* 12/1903 Valentine ..... A45C 1/12  
232/4 R  
866,459 A \* 9/1907 Gray ..... A45C 3/00  
190/111

1,146,230 A \* 7/1915 Anderson ..... A45C 1/12  
232/4 R  
2,544,118 A \* 3/1951 Went ..... G07D 9/002  
206/0.83  
2,755,748 A \* 7/1956 Abell, Jr. .... A45C 13/20  
109/52  
D194,339 S \* 1/1963 Harty ..... D3/282  
D236,291 S \* 8/1975 Schurman ..... 206/387.1  
D273,908 S \* 5/1984 Hoogeveen ..... D99/28  
4,573,332 A \* 3/1986 Ma ..... A45C 13/20  
109/52  
D289,582 S \* 5/1987 Brush, Jr. .... D3/281  
D291,139 S \* 7/1987 Warwicker ..... D3/281  
D324,608 S \* 3/1992 Forbes ..... D3/282  
5,172,575 A \* 12/1992 Fisher ..... E05B 37/20  
206/317

(Continued)

*Primary Examiner* — Elizabeth J Oswecki  
(74) *Attorney, Agent, or Firm* — Durham Jones & Pinegar, P.C., Intellectual Property Law Group

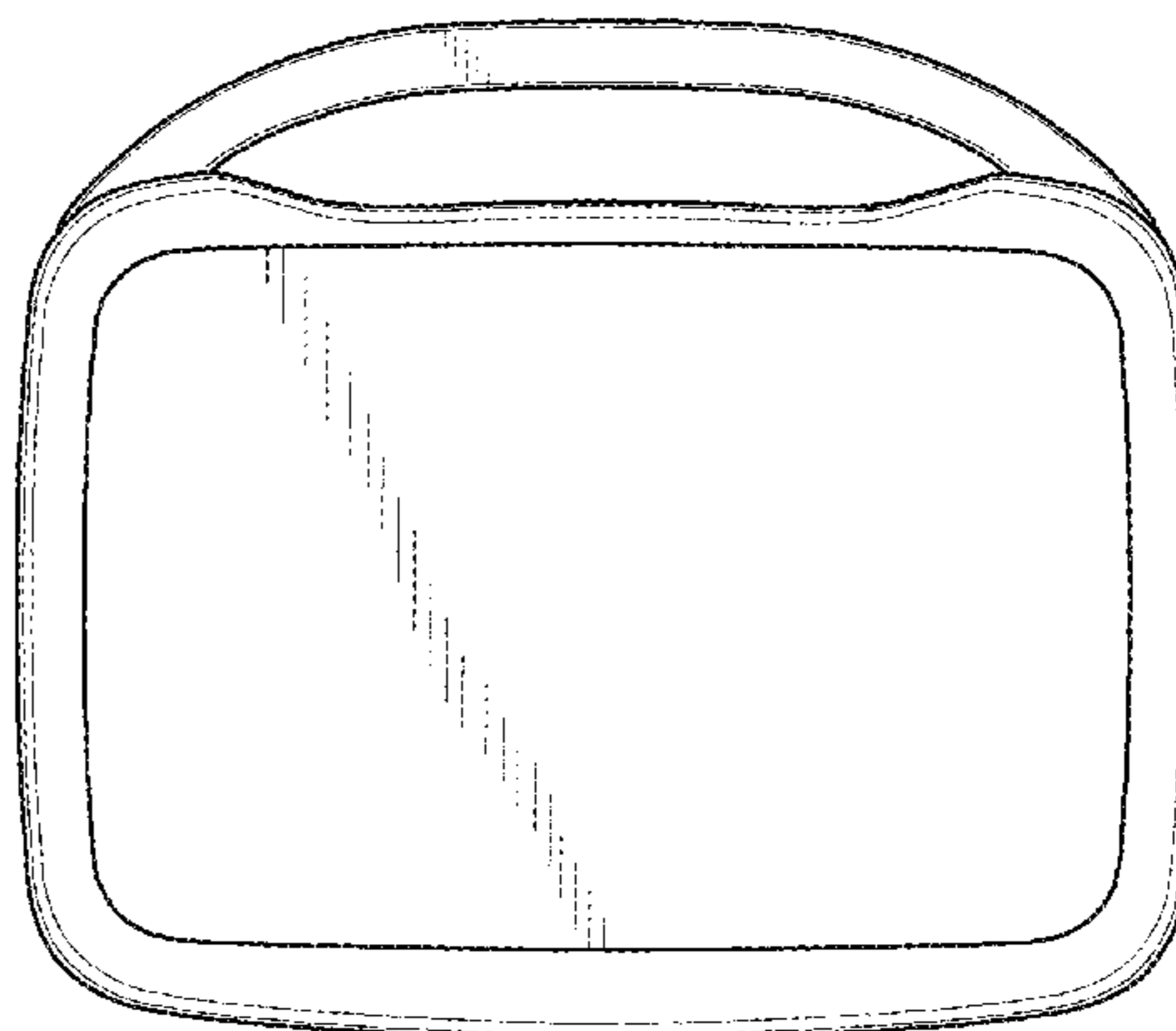
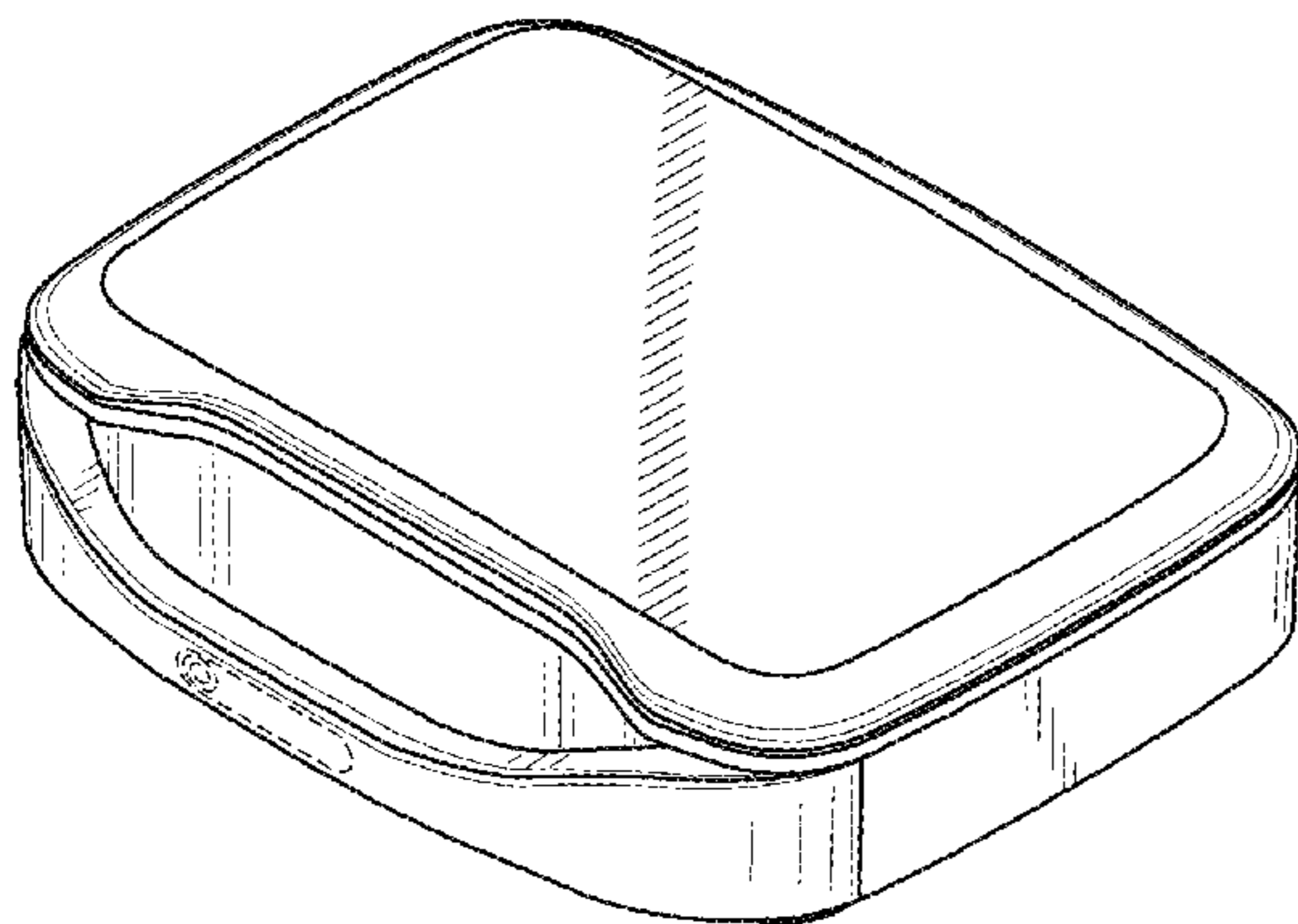
(57) **CLAIM**

The ornamental design for a portable safe, as shown and described.

**DESCRIPTION**

FIG. 1 is a perspective view of a portable safe showing my new design;  
FIG. 2 is a top view thereof;  
FIG. 3 is a front side view thereof;  
FIG. 4 is a rear side view thereof;  
FIG. 5 is a right side view thereof;  
FIG. 6 is a left side view thereof;  
FIG. 7 is a bottom view thereof; and,  
FIG. 8 is a perspective view thereof, shown in an open position.  
Broken lines are used in the drawings to illustrate features that form no part of the claimed design.

**1 Claim, 4 Drawing Sheets**



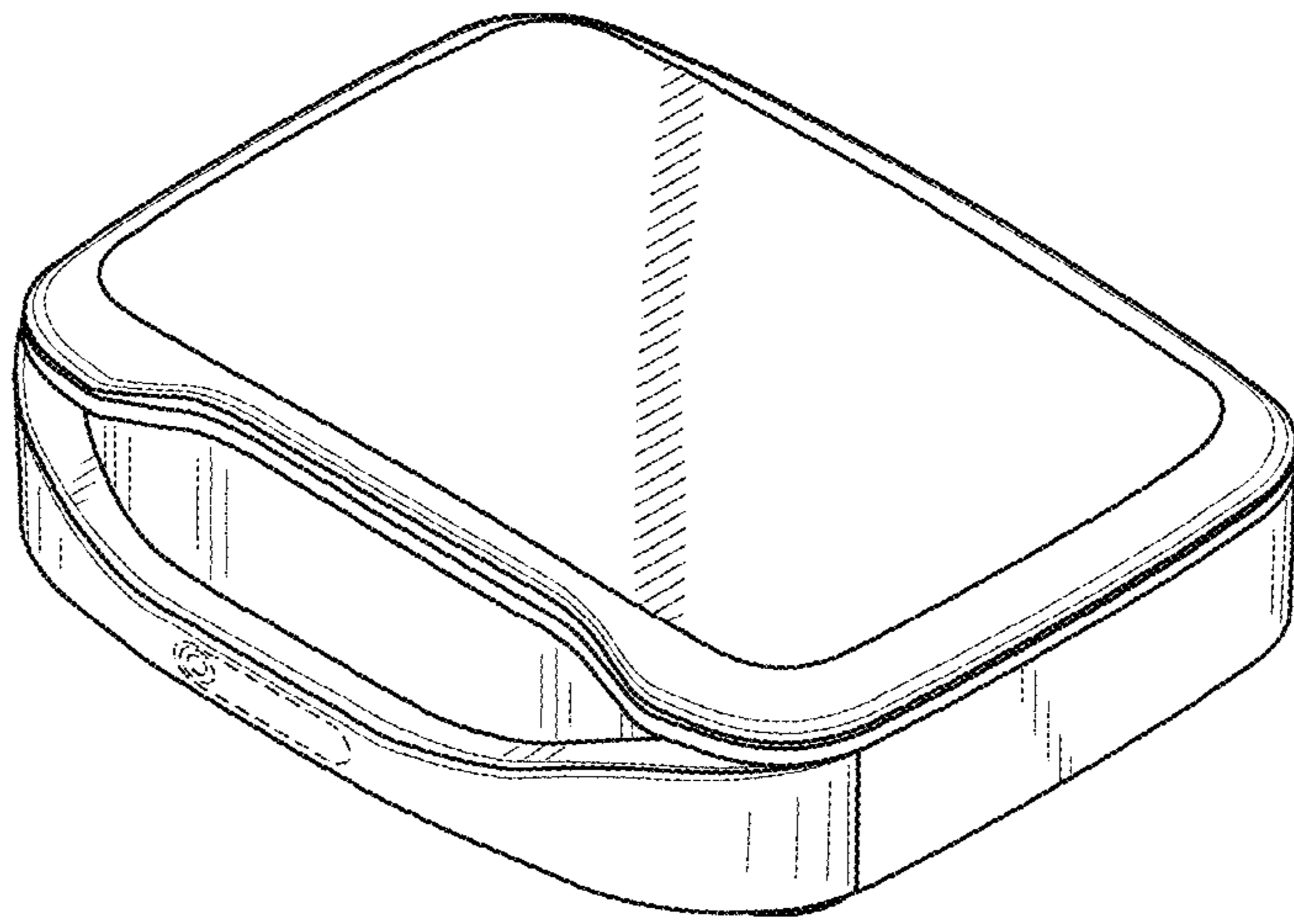
(56)

**References Cited**

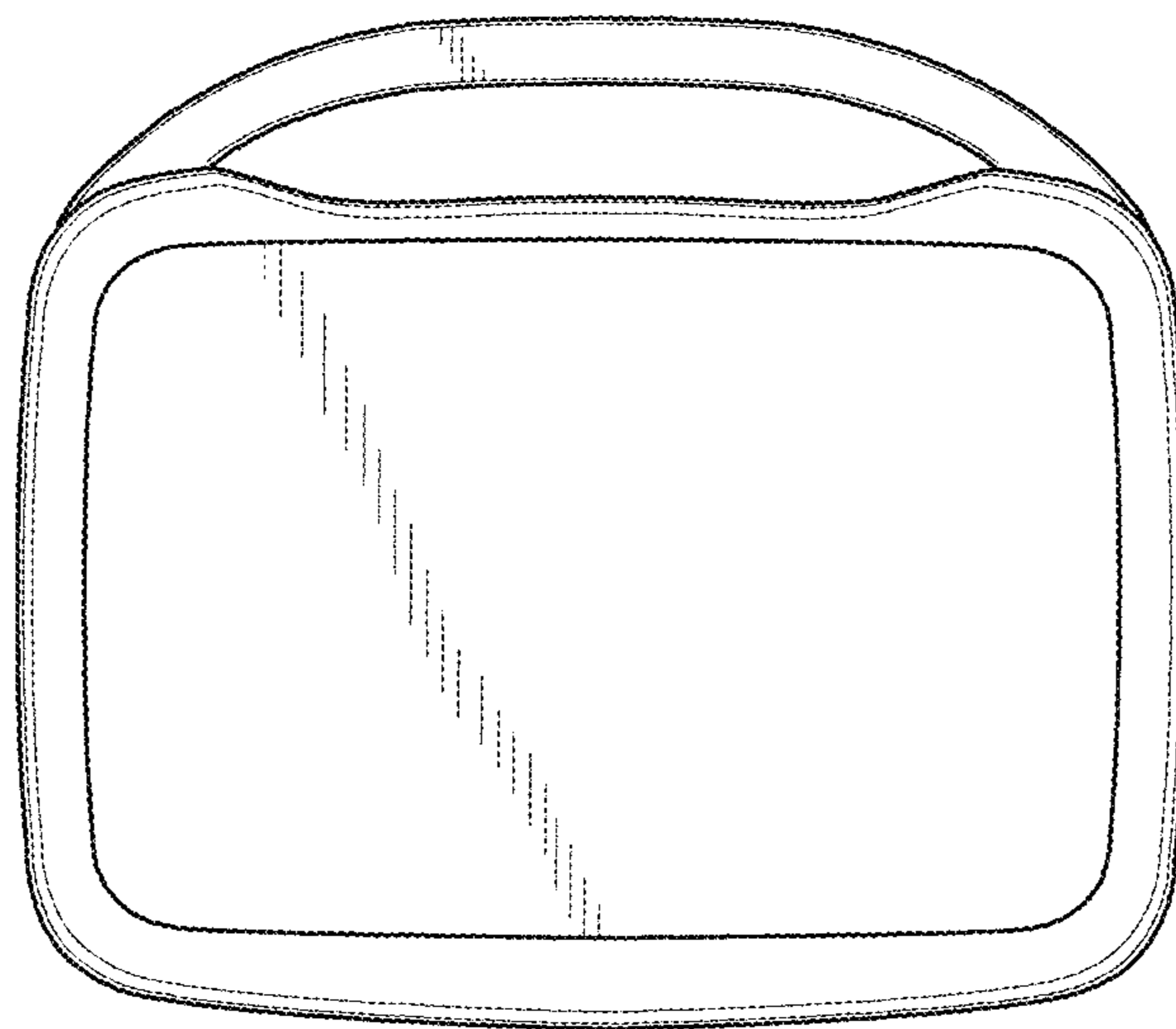
## U.S. PATENT DOCUMENTS

D357,117	S *	4/1995	Huang	.....	D3/276
D367,558	S *	3/1996	Lai	.....	D3/281
D371,906	S *	7/1996	Peters	.....	D3/276
D372,361	S *	8/1996	Burns	.....	D3/282
D374,347	S *	10/1996	Burns	.....	D3/282
D393,526	S *	4/1998	Robey	.....	D3/281
D459,857	S *	7/2002	Stoneberg	.....	D99/28
D474,596	S *	5/2003	Osiecki	.....	D3/273
D541,045	S *	4/2007	Peart	.....	D3/291
D558,977	S *	1/2008	Peart	.....	D3/294
D560,875	S *	1/2008	Decarlo	.....	D3/273
D561,994	S *	2/2008	Peart	.....	D3/291
D571,524	S *	6/2008	Kang	.....	D99/28
D572,425	S *	7/2008	Themistos	.....	D99/28
D579,174	S *	10/2008	Decarlo	.....	D3/273
D635,324	S *	3/2011	Plato	.....	D99/28
D667,195	S *	9/2012	Guo	.....	D99/28
D668,047	S *	10/2012	Cenzano	.....	D3/272
D714,015	S *	9/2014	Hyde	.....	D99/28
D732,264	S *	6/2015	Hine	.....	D99/28
D732,265	S *	6/2015	Osiecki	.....	D99/28
D772,522	S *	11/2016	Henderson	.....	D99/28
D800,989	S *	10/2017	Lucido	.....	D99/28
D803,508	S *	11/2017	Horn	.....	D99/28
D817,589	S *	5/2018	Culbreth	.....	D99/28
2001/0034202	A1 *	10/2001	Nottingham	.....	G07D 3/04 453/3
2004/0045329	A1 *	3/2004	Farnham	.....	E05B 73/0005 70/63
2006/0108252	A1 *	5/2006	Lax	.....	A45C 11/00 206/470
2012/0298018	A1 *	11/2012	McCabe	.....	A45C 13/20 109/51

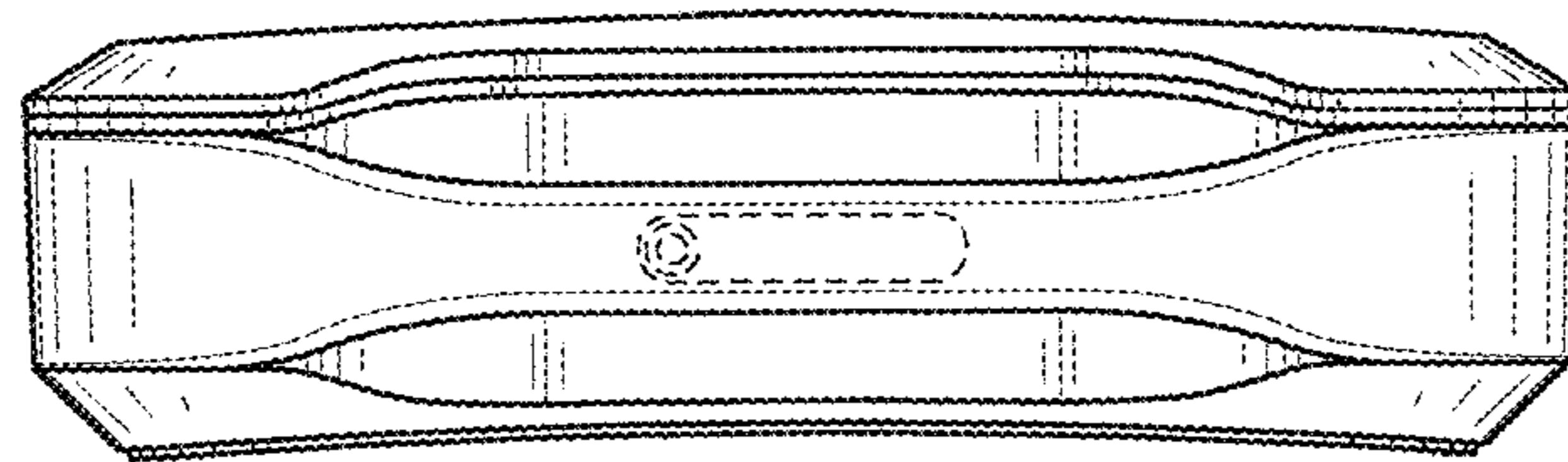
\* cited by examiner



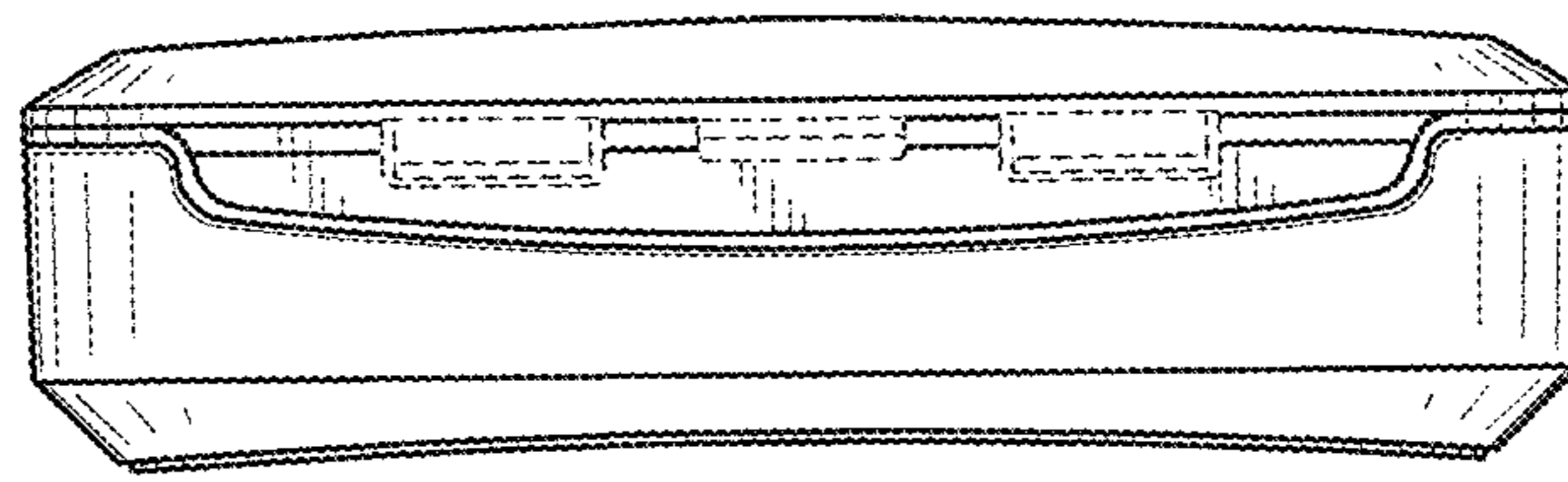
**FIG. 1**



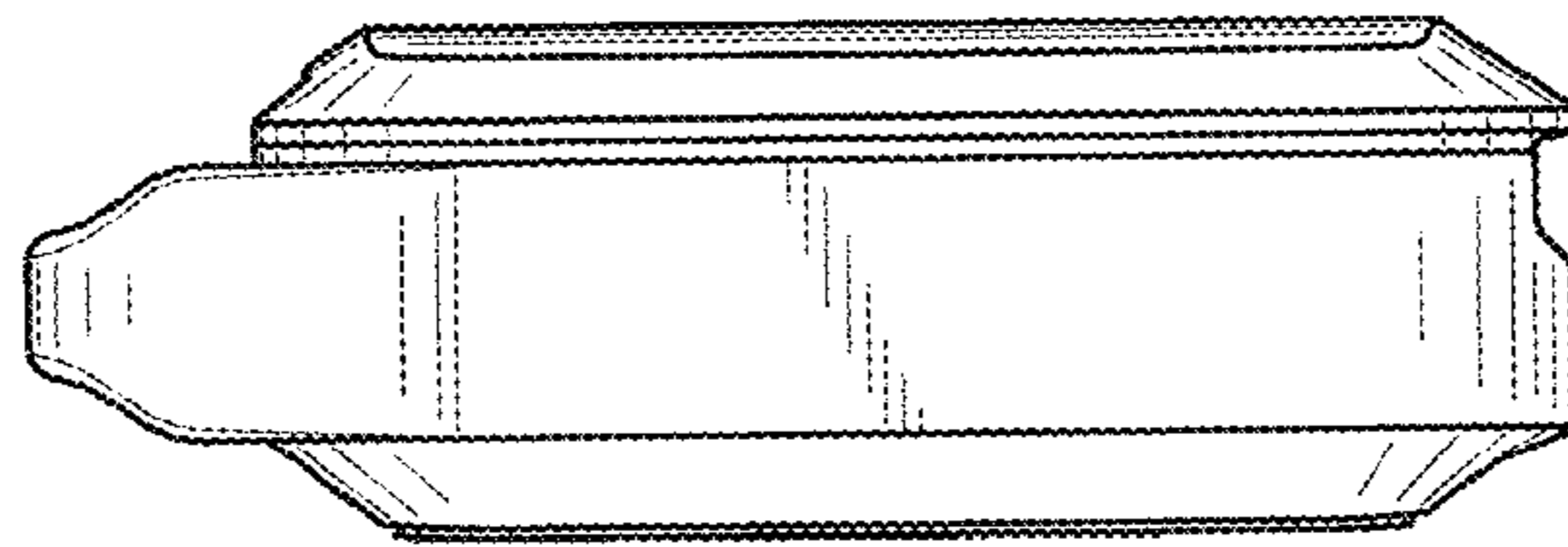
**FIG. 2**



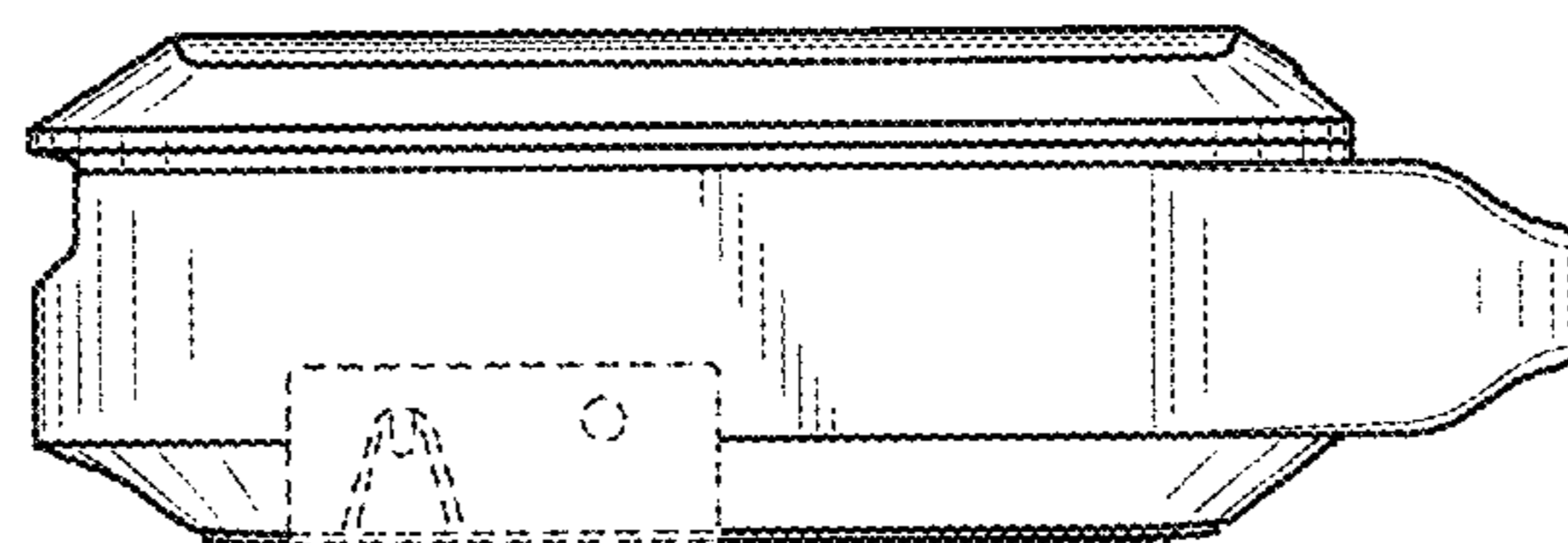
**FIG. 3**



**FIG. 4**

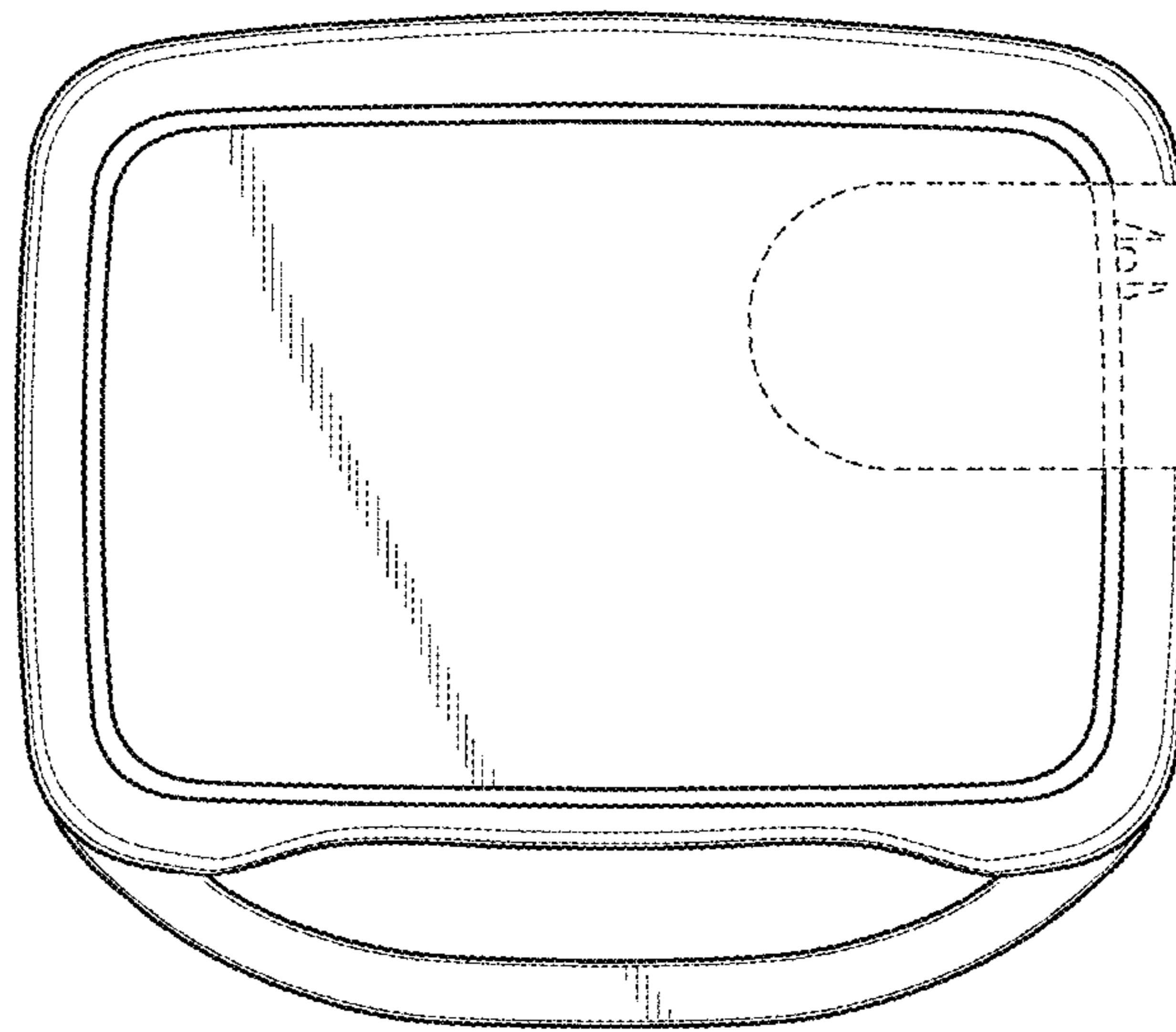


**FIG. 5**



**FIG. 6**





**FIG. 7**



**FIG. 8**