

US00D860578S

(12) **United States Design Patent**
Reynolds et al.

(10) **Patent No.:** **US D860,578 S**

(45) **Date of Patent:** **** Sep. 17, 2019**

- (54) **CREMATION URN**
- (71) Applicant: **Batesville Services, Inc.**, Batesville, IN (US)
- (72) Inventors: **Kristine Ann Reynolds**, Oldenburg, IN (US); **Christopher M. Wessel**, Metamora, IN (US)
- (73) Assignee: **Batesville Services, Inc.**, Batesville, IN (US)
- (**) Term: **15 Years**
- (21) Appl. No.: **29/611,450**
- (22) Filed: **Jul. 21, 2017**
- (51) **LOC (12) Cl.** **99-00**
- (52) **U.S. Cl.**
USPC **D99/5**
- (58) **Field of Classification Search**
USPC D99/5; 27/1; D7/540, 615, 612; D9/548, 529, 503, 505; D11/154, 143, D11/144, 145, 146, 151, 152; 206/508, 206/776; 220/288, 258.3, 265, 521, 630, 220/555, 553, 524; 211/85.27; 215/320, 215/343, 344; D28/82, 88, 91.1
CPC A61G 17/08; A61G 17/00; B65D 41/00
See application file for complete search history.

- 2,670,868 A * 3/1954 Stover B65D 43/0222
215/46
- 2,693,307 A * 11/1954 Goodwin B65D 43/0218
206/508
- 2,985,354 A * 5/1961 Aldington B65D 21/0222
206/508
- 3,051,303 A * 8/1962 Daanen A47G 19/26
206/776
- 3,174,640 A * 3/1965 Hart B65D 41/0442
215/333
- D213,777 S * 4/1969 Chandler D99/5
- D214,894 S * 8/1969 Chandler D99/5
- 3,482,725 A * 12/1969 Exton B65D 41/0428
215/337
- D344,390 S 2/1994 May
- D344,391 S 2/1994 May
- D344,839 S 3/1994 May
- D344,840 S 3/1994 May
- D345,848 S 4/1994 May
- D345,849 S 4/1994 Parker
- D350,010 S 8/1994 May

(Continued)

Primary Examiner — Paula Allen Greene
(74) *Attorney, Agent, or Firm* — Wood Herron & Evans LLP

(57) **CLAIM**

The ornamental design for a cremation urn, as shown and described.

DESCRIPTION

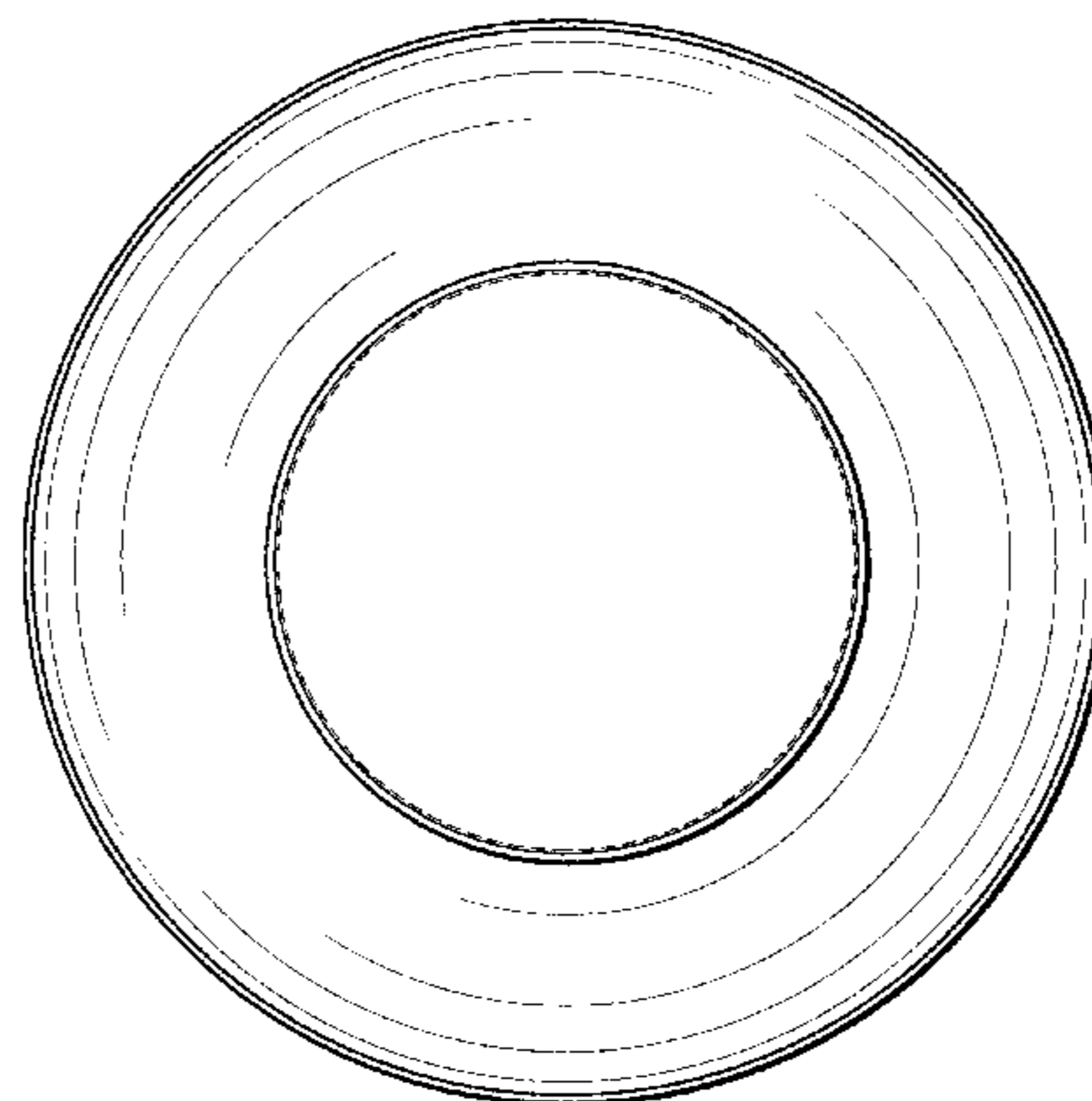
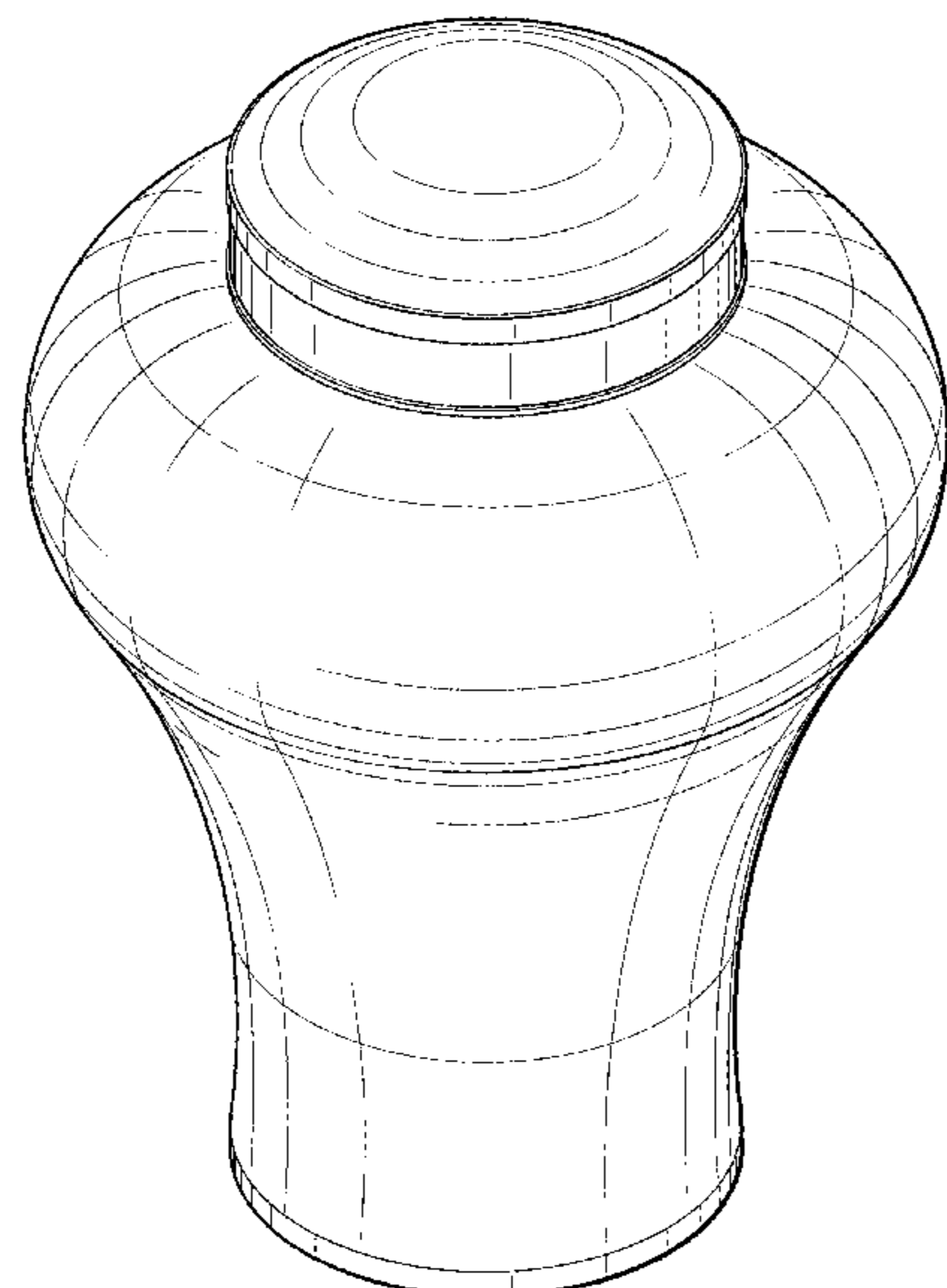
FIG. 1 is a top front perspective view of one embodiment of our new, original and ornamental design for a cremation urn. FIG. 2 is a front view thereof, the back view, left side view, and right side view thereof being identical thereto. FIG. 3 is a top view thereof; and, FIG. 4 is a bottom view thereof. The broken line depict environment that forms no part of the claimed design. The unshown portions of the article form no part of the claimed design.

1 Claim, 4 Drawing Sheets

(56) **References Cited**

U.S. PATENT DOCUMENTS

- 2,130,651 A * 9/1938 Phillips B65D 43/022
220/200
- 2,139,572 A * 12/1938 Booth B67B 3/14
215/324
- 2,235,617 A * 3/1941 Klinzing A61G 17/08
220/288
- 2,385,520 A * 9/1945 Klinzing A61G 17/08
220/288



(56)

References Cited

U.S. PATENT DOCUMENTS

5,379,499 A * 1/1995 Jackson A61G 17/08
220/521
D356,421 S 3/1995 Parker
D356,422 S * 3/1995 Parker D99/5
D359,831 S 6/1995 Parker
D360,732 S * 7/1995 Parker D99/5
D370,766 S 6/1996 Parker
D370,767 S 6/1996 Parker
D370,768 S 6/1996 Parker
5,568,677 A * 10/1996 Tobin A61G 17/00
220/806
D385,081 S 10/1997 Parker
D398,733 S * 9/1998 Diviak, Sr. D99/5
D401,732 S 11/1998 Parker
D401,733 S 11/1998 Thesken
5,832,575 A * 11/1998 Sturino A61G 17/08
27/1
D403,896 S 1/1999 Bartling
D415,329 S 10/1999 Parker
D418,271 S 12/1999 Parker
D419,745 S 1/2000 Thesken
D425,283 S 5/2000 Thesken
D434,201 S 11/2000 Thesken
D438,685 S * 3/2001 Robinson D99/5

D440,376 S * 4/2001 Robinson D99/5
D442,347 S 5/2001 Parker
D443,124 S 5/2001 Parker
D444,932 S 7/2001 Greiwe
D454,242 S * 3/2002 Dziekonski D99/5
D479,380 S * 9/2003 Robinson D99/5
D479,381 S * 9/2003 Robinson D99/5
D479,639 S * 9/2003 Robinson D99/5
D479,640 S * 9/2003 Robinson D99/5
D479,641 S * 9/2003 Robinson D99/5
D479,900 S * 9/2003 Robinson D99/5
D489,508 S 5/2004 Parker
D648,504 S * 11/2011 Khan D99/5
D649,325 S * 11/2011 Khan D99/5
D650,547 S * 12/2011 Khan D99/5
D653,011 S * 1/2012 Myers D99/5
D667,604 S * 9/2012 Khan D99/5
D672,935 S * 12/2012 Khan D99/5
D696,832 S * 12/2013 Khan D99/5
D700,764 S * 3/2014 Goldstein D99/5
D703,415 S * 4/2014 Khan A61G 17/08
D99/5
D703,913 S * 4/2014 Irvine A61G 17/08
D99/5
D719,714 S * 12/2014 Khan D99/5
D759,338 S 6/2016 Reynolds
D787,149 S * 5/2017 Bhandula D99/5

* cited by examiner

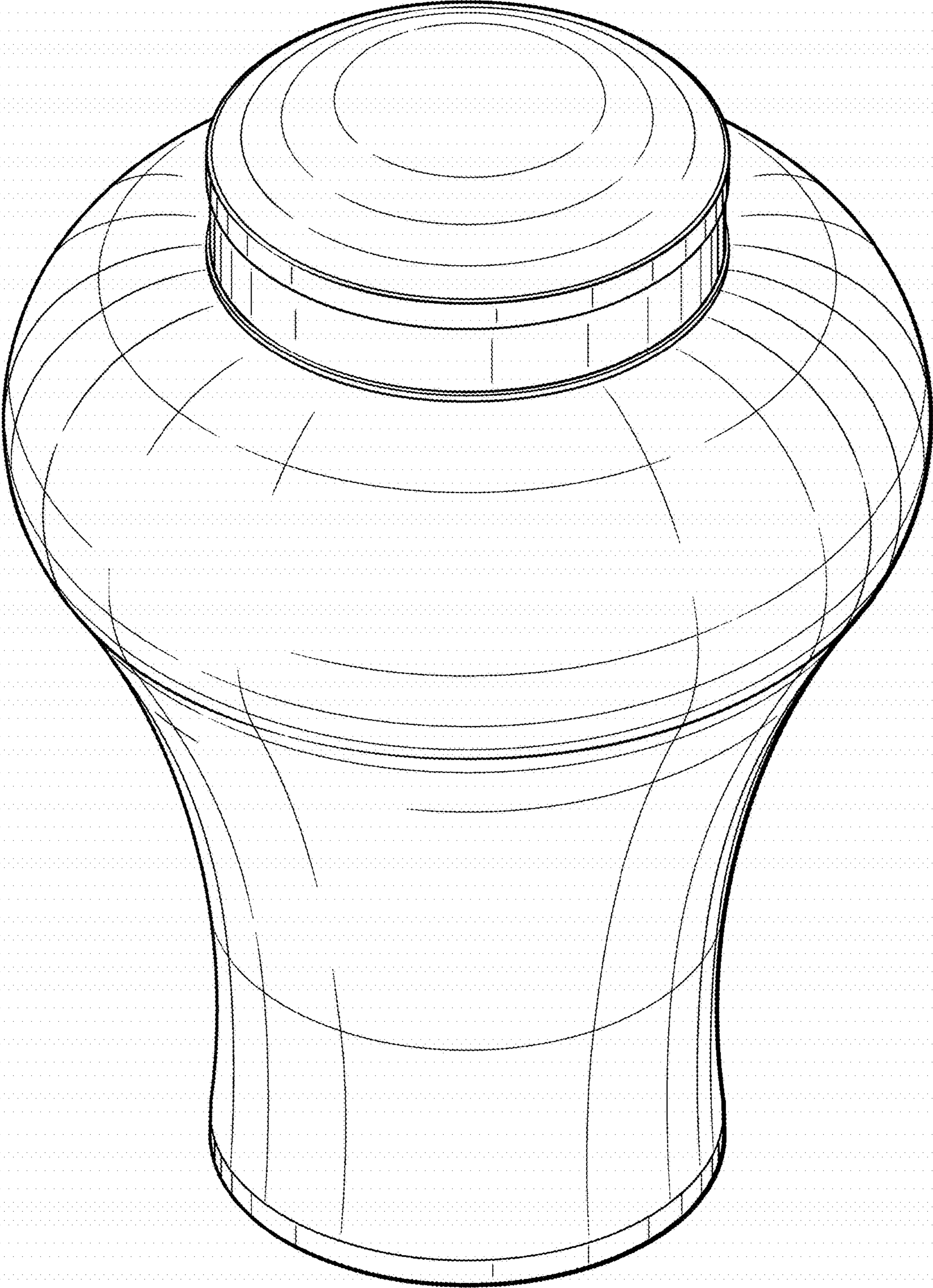


FIG. 1

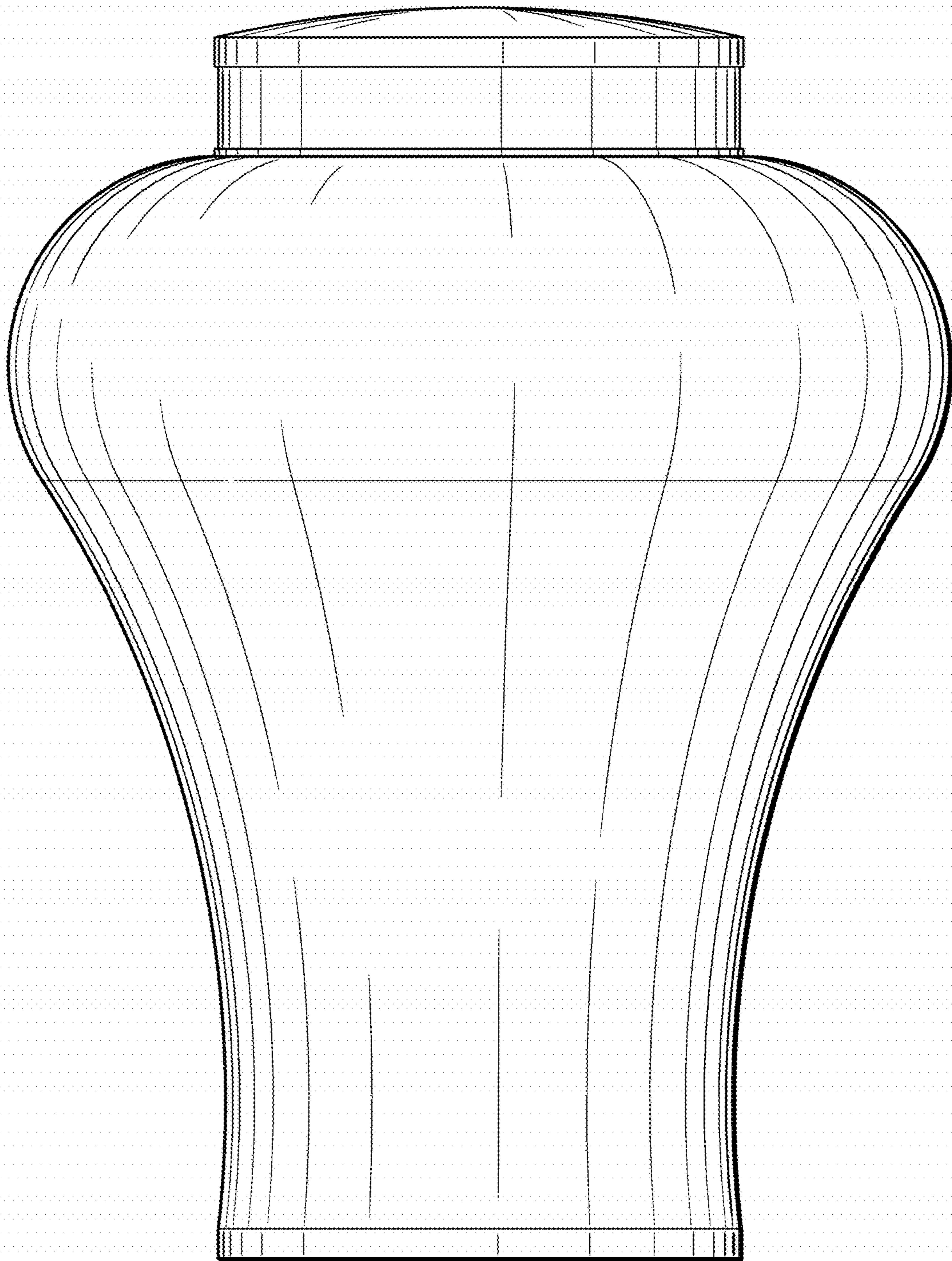


FIG. 2

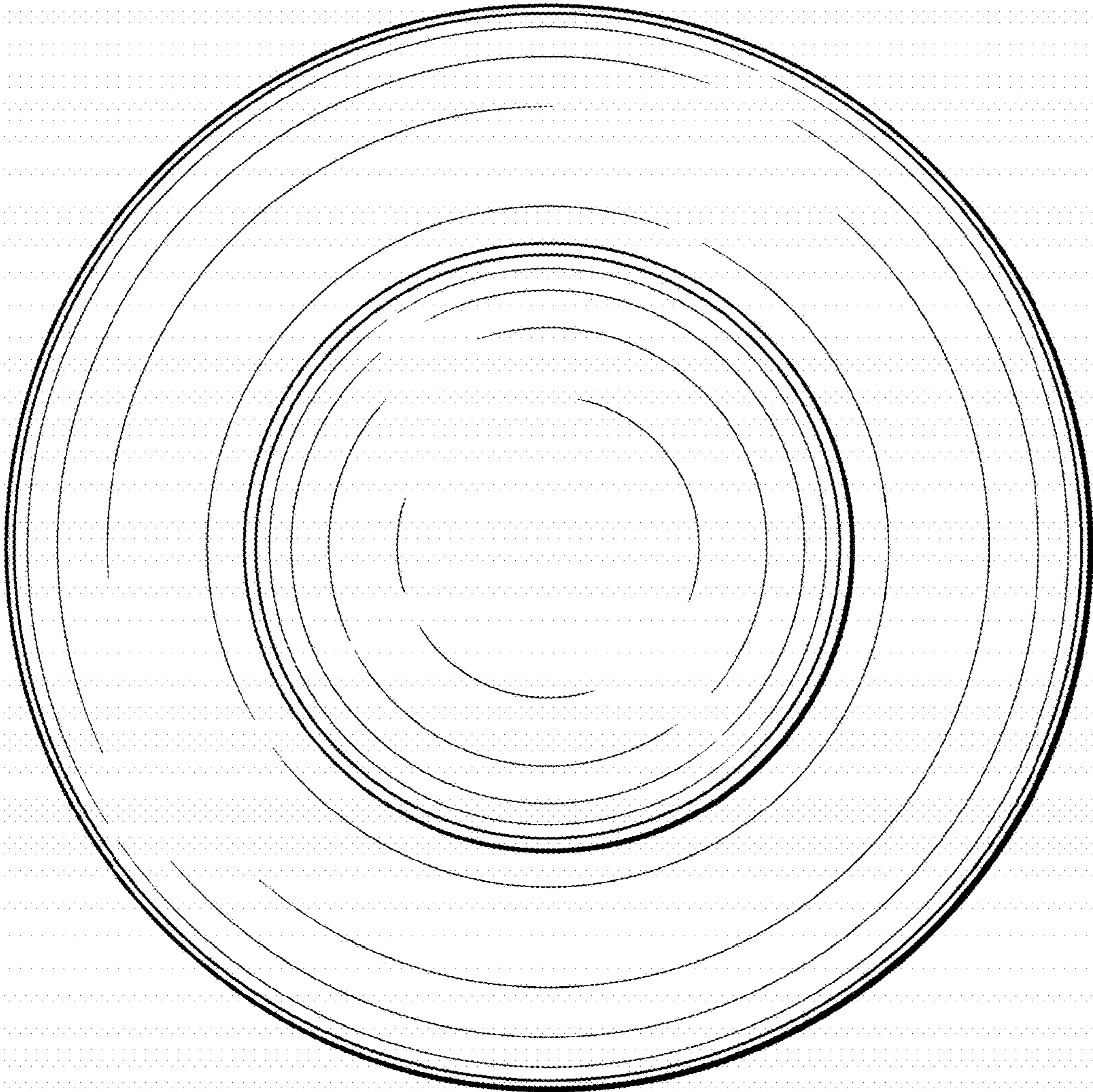


FIG. 3

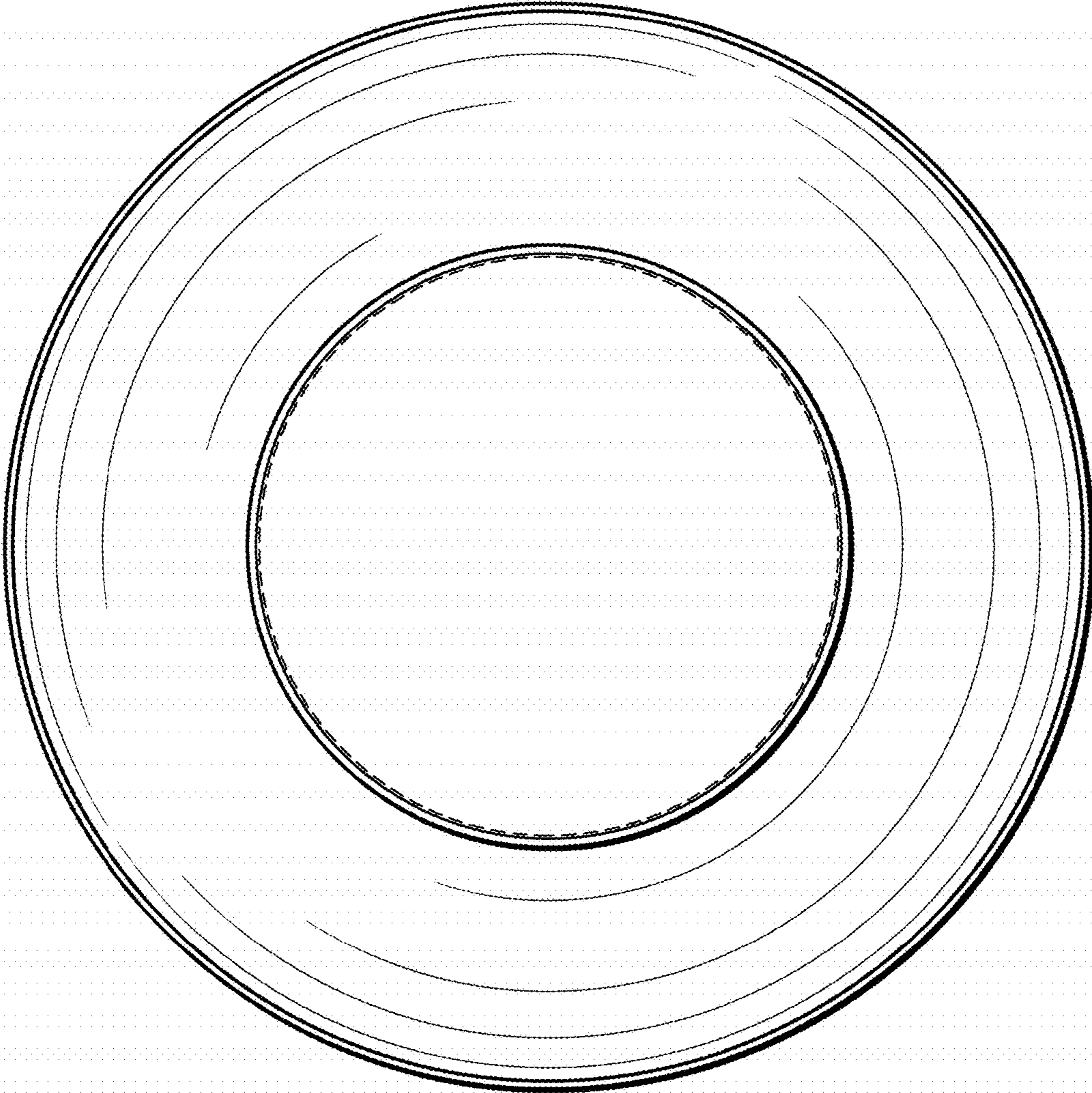


FIG. 4