

US00D860577S

(12) **United States Design Patent**  
**Reynolds et al.**

(10) **Patent No.:** **US D860,577 S**

(45) **Date of Patent:** **\*\* Sep. 17, 2019**

- (54) **CREMATION URN**
- (71) Applicant: **Batesville Services, Inc.**, Batesville, IN (US)
- (72) Inventors: **Kristine Ann Reynolds**, Oldenburg, IN (US); **Christopher M. Wessel**, Metamora, IN (US)
- (73) Assignee: **Batesville Services, Inc.**, Batesville, IN (US)
- (\*\*) Term: **15 Years**
- (21) Appl. No.: **29/611,443**
- (22) Filed: **Jul. 21, 2017**
- (51) **LOC (12) Cl.** ..... **99-00**
- (52) **U.S. Cl.**  
USPC ..... **D99/5**
- (58) **Field of Classification Search**  
USPC ..... D99/5; 27/1; D7/540, 601, 602, 608; D9/454, 500, 765, 539, 435, 434, 504, D9/503, 452, 668; D11/152, 153, 154, D11/90, 121; 206/508, 525, 776, 779, 206/581; 220/288, 258.3, 265, 521, 630; 211/85.27; 215/215, 602, 630, 228, 227, 215/320, 343, 344; D28/82; D19/62  
CPC ..... A61G 17/08; A61G 17/00; B65D 41/00  
See application file for complete search history.

(56) **References Cited**

**U.S. PATENT DOCUMENTS**

- D26,062 S \* 9/1896 Hunter ..... D7/540
- D48,119 S \* 9/1915 Luyties ..... D9/545
- D57,488 S \* 4/1921 Vivaudou ..... D9/503
- D60,401 S \* 2/1922 Galle ..... 206/216
- 1,509,524 A \* 9/1924 Morrison ..... A47F 3/145  
206/216
- D75,124 S \* 5/1928 Jenkins ..... D9/545

- 2,125,629 A \* 8/1938 Gallo ..... A47G 19/24  
222/459
- D128,153 S \* 7/1941 Arnold ..... D9/500
- 2,513,951 A \* 7/1950 McClellan ..... E04H 13/006  
27/1
- 2,670,868 A \* 3/1954 Stover ..... B65D 43/0222  
215/46
- 2,850,079 A \* 9/1958 Prushnok ..... A47G 19/10  
248/310
- 3,051,303 A \* 8/1962 Daanen ..... A47G 19/26  
206/776
- 3,122,256 A \* 2/1964 Orr ..... B65D 1/10  
215/329
- D205,687 S \* 9/1966 Bartlett ..... D7/540
- D208,885 S \* 10/1967 Roehrich ..... D9/503
- D212,525 S \* 10/1968 Kneapler ..... D9/500
- 3,409,182 A \* 11/1968 McDonnell ..... B05B 11/043  
222/211
- D214,159 S \* 5/1969 Hart et al. .... D9/503

(Continued)

*Primary Examiner* — Paula Allen Greene

(74) *Attorney, Agent, or Firm* — Wood Herron & Evans LLP

(57) **CLAIM**

The ornamental design for a cremation urn, as shown and described.

**DESCRIPTION**

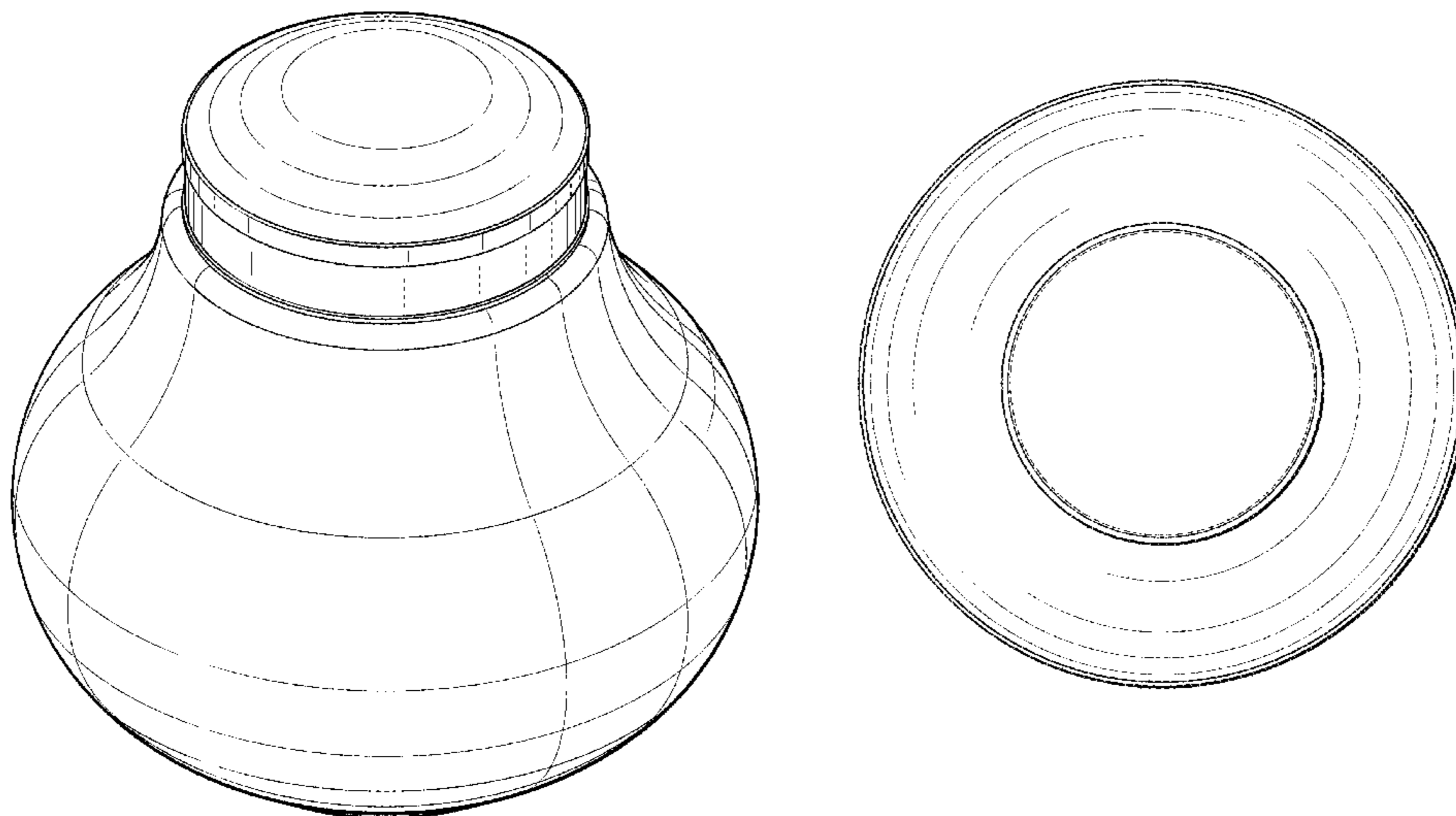
FIG. 1 is a top front perspective view of one embodiment of our new, original and ornamental design for a cremation urn. FIG. 2 is a front view thereof, the back view, left side view, and right side view thereof being identical thereto.

FIG. 3 is a top view thereof; and, FIG. 4 is a bottom view thereof.

The dash lines represent unclaimed portions and/or unclaimed boundaries of the design. The unshown portions of the article form no part of the claimed design.

The broken lines depict environment that forms no part of the claimed design.

**1 Claim, 4 Drawing Sheets**



(56)

References Cited

U.S. PATENT DOCUMENTS

D230,953 S *	3/1974	Edwards	.....	D9/500	D415,329 S	10/1999	Parker	
D237,854 S *	12/1975	Achenbach	.....	D7/615	D418,271 S	12/1999	Parker	
D243,065 S *	1/1977	Picker	.....	D7/540	D419,745 S	1/2000	Thesken	
D254,831 S *	4/1980	Smith	.....	D7/540	D423,360 S *	4/2000	Hirato	..... D9/504
D256,993 S *	9/1980	Strand	.....	D9/501	D425,283 S	5/2000	Thesken	
D259,397 S *	6/1981	Kerns	.....	D9/503	D434,201 S	11/2000	Thesken	
D270,238 S *	8/1983	Vilval	.....	D9/447	D442,347 S	5/2001	Parker	
D298,592 S *	11/1988	Stoop	.....	D6/390	D443,124 S	5/2001	Parker	
5,137,162 A *	8/1992	Fritz	.....	B65D 11/04 215/275	D444,932 S	7/2001	Greiwe	
D344,390 S	2/1994	May			D446,456 S *	8/2001	Adachi	..... D9/504
D344,391 S	2/1994	May			D454,242 S *	3/2002	Dziekonski	..... D99/5
D344,839 S	3/1994	May			D477,991 S *	8/2003	Dretzka	..... D6/542
D344,840 S	3/1994	May			D479,639 S *	9/2003	Robinson	..... D99/5
D345,848 S	4/1994	May			D479,640 S *	9/2003	Robinson	..... D99/5
D345,849 S	4/1994	Parker			D479,900 S *	9/2003	Robinson	..... D99/5
D350,010 S	8/1994	May			D489,508 S	5/2004	Parker	
5,379,499 A *	1/1995	Jackson	.....	A61G 17/08 220/521	D496,207 S *	9/2004	Wang	..... D7/300.1
D356,421 S	3/1995	Parker			D502,110 S *	2/2005	Theunynck	..... D9/550
D356,422 S	3/1995	Parker			D522,363 S *	6/2006	Hicks	..... D9/449
D359,831 S	6/1995	Parker			D607,734 S *	1/2010	Kuzma	..... D9/539
D360,732 S	7/1995	Parker			D607,735 S *	1/2010	Kuzma	..... D9/539
D370,766 S	6/1996	Parker			D619,460 S *	7/2010	Beckerman	..... D9/500
D370,767 S	6/1996	Parker			D619,894 S *	7/2010	Ashiwa	..... D9/504
D370,768 S	6/1996	Parker			D648,217 S *	11/2011	Fahey	..... D9/500
D385,081 S	10/1997	Parker			D690,200 S *	9/2013	Arand	..... D9/449
D401,732 S	11/1998	Parker			D695,618 S *	12/2013	Jeong	..... D9/454
D401,733 S	11/1998	Thesken			D702,555 S *	4/2014	Park	..... D9/454
D403,586 S *	1/1999	Bakic	.....	D9/454	D719,448 S *	12/2014	Pires	..... D9/504
D403,896 S	1/1999	Bartling			D721,589 S *	1/2015	Sturdevant	..... D9/504
D411,747 S *	6/1999	Kokenge	.....	D9/454	D739,740 S *	9/2015	Sturdevant	..... D9/504
					D756,789 S *	5/2016	Darling	..... D9/503
					D759,338 S	6/2016	Reynolds	
					D809,391 S *	2/2018	Funk	..... D9/500
					D815,532 S *	4/2018	Zhou	..... D9/504

\* cited by examiner

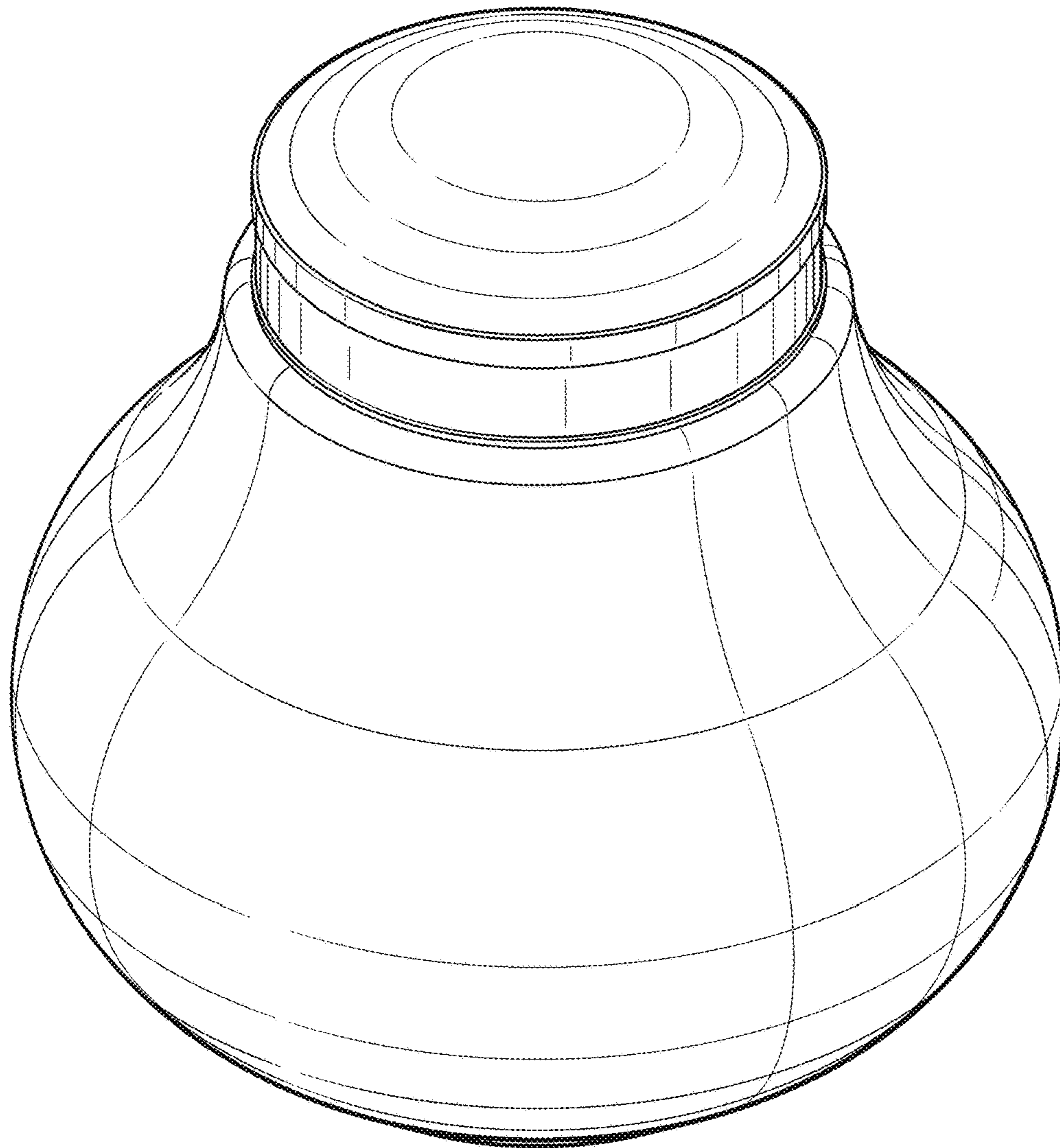


FIG. 1

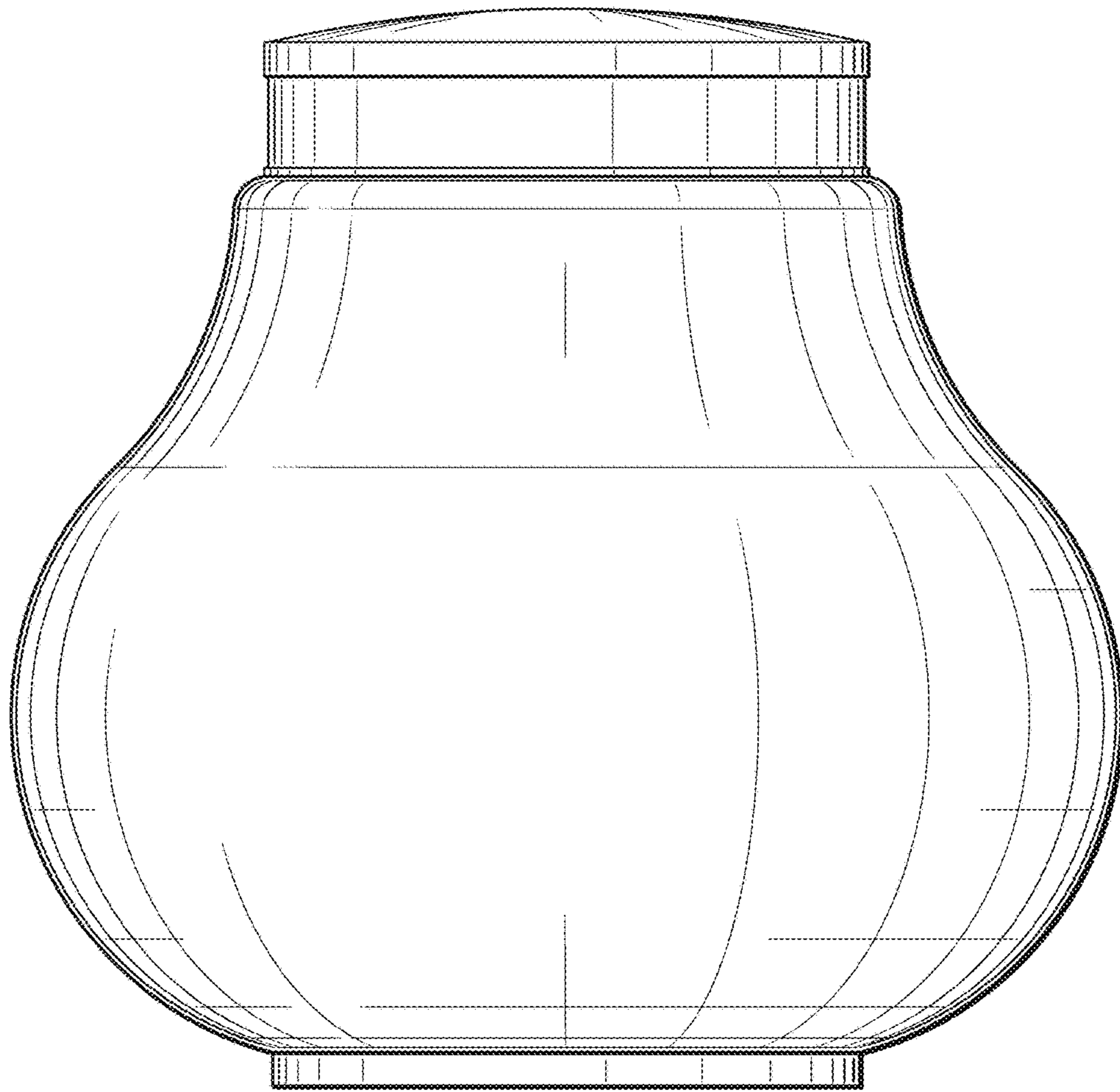


FIG. 2

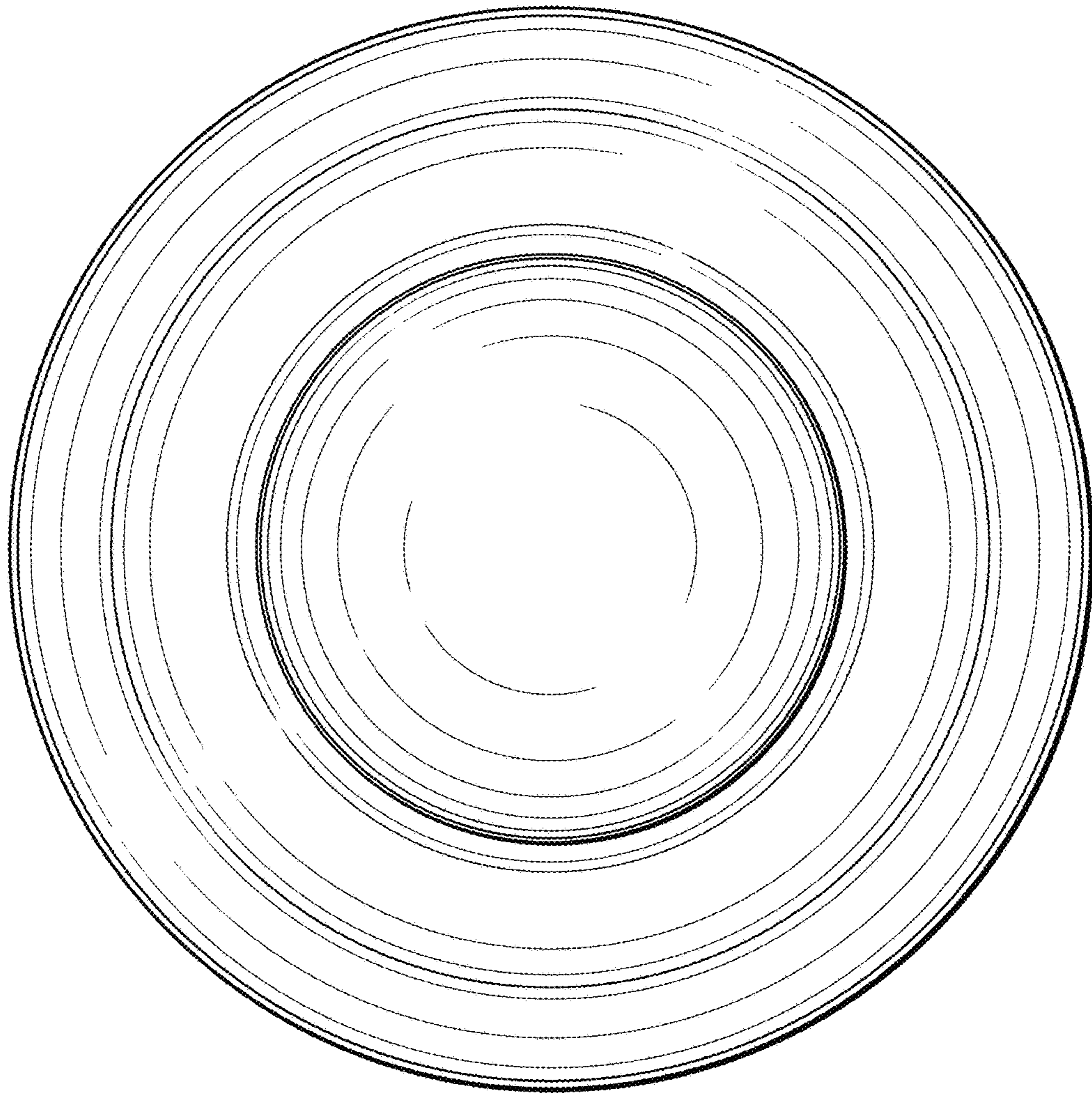


FIG. 3

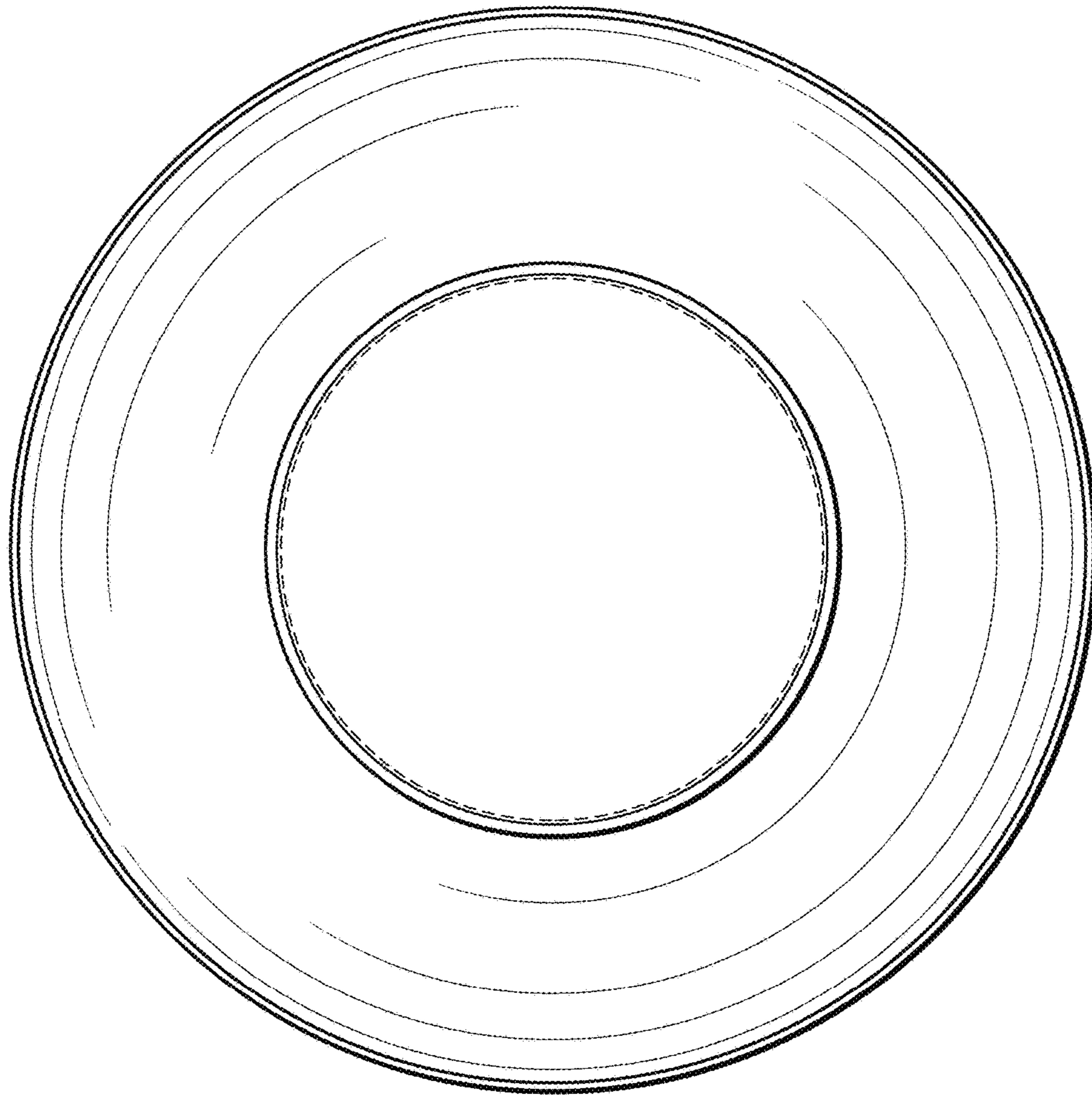


FIG. 4