

US00D860576S

(12) **United States Design Patent**
Bussinger et al.

(10) **Patent No.:** **US D860,576 S**

(45) **Date of Patent:** **** Sep. 17, 2019**

- (54) **MATERIAL HANDLING CART**
- (71) Applicant: **AMIGO MOBILITY INTERNATIONAL, INC.**, Bridgeport, MI (US)
- (72) Inventors: **Allen Louis Bussinger**, Bridgeport, MI (US); **Jeremiah Vincent Schultz**, Bridgeport, MI (US)
- (**) Term: **15 Years**
- (21) Appl. No.: **29/618,041**
- (22) Filed: **Sep. 18, 2017**

6,260,643 B1 * 7/2001 Schuchardt A47F 10/04
180/14.1
6,729,421 B1 * 5/2004 Gluck A61G 7/08
180/11
7,389,836 B2 * 6/2008 Johnson B60L 11/18
7,549,651 B2 * 6/2009 Holtan B62B 3/1404
180/19.1
D605,374 S * 12/2009 Nishikawa D34/34
8,591,154 B2 * 11/2013 Bartels B60P 3/073
410/4
8,684,373 B2 * 4/2014 Holtan B62B 3/1404
280/33.991
D800,409 S * 10/2017 Bussinger D34/34
D800,410 S * 10/2017 Bussinger D34/37

(Continued)

Primary Examiner — Cynthia Ramirez
Assistant Examiner — Gino Colan
 (74) *Attorney, Agent, or Firm* — Rivenoak Law Group, P.C.

Related U.S. Application Data

- (63) Continuation-in-part of application No. 29/572,428, filed on Jul. 27, 2016, now Pat. No. Des. 800,409, and a continuation-in-part of application No. 29/546,542, filed on Nov. 23, 2015, now Pat. No. Des. 800,410.
- (51) **LOC (12) Cl.** **12-05**
- (52) **U.S. Cl.**
USPC **D34/34**
- (58) **Field of Classification Search**
USPC D34/12, 17, 20, 21, 23, 26, 28, 18, 33, D34/34, 36, 37; 180/65.51, 11, 19.2, 180/208, 19.3, 14.1, 65.1; 414/604, 814; 410/4; 280/79.11, 79.3, 33.997, 47.19, 280/47.34, 47.35, 47.17
CPC B62B 3/10; B62B 3/00; B62B 3/04; B62B 5/0093; B62B 5/0438
See application file for complete search history.

(57) **CLAIM**

The ornamental design for a material handling cart, as shown and described.

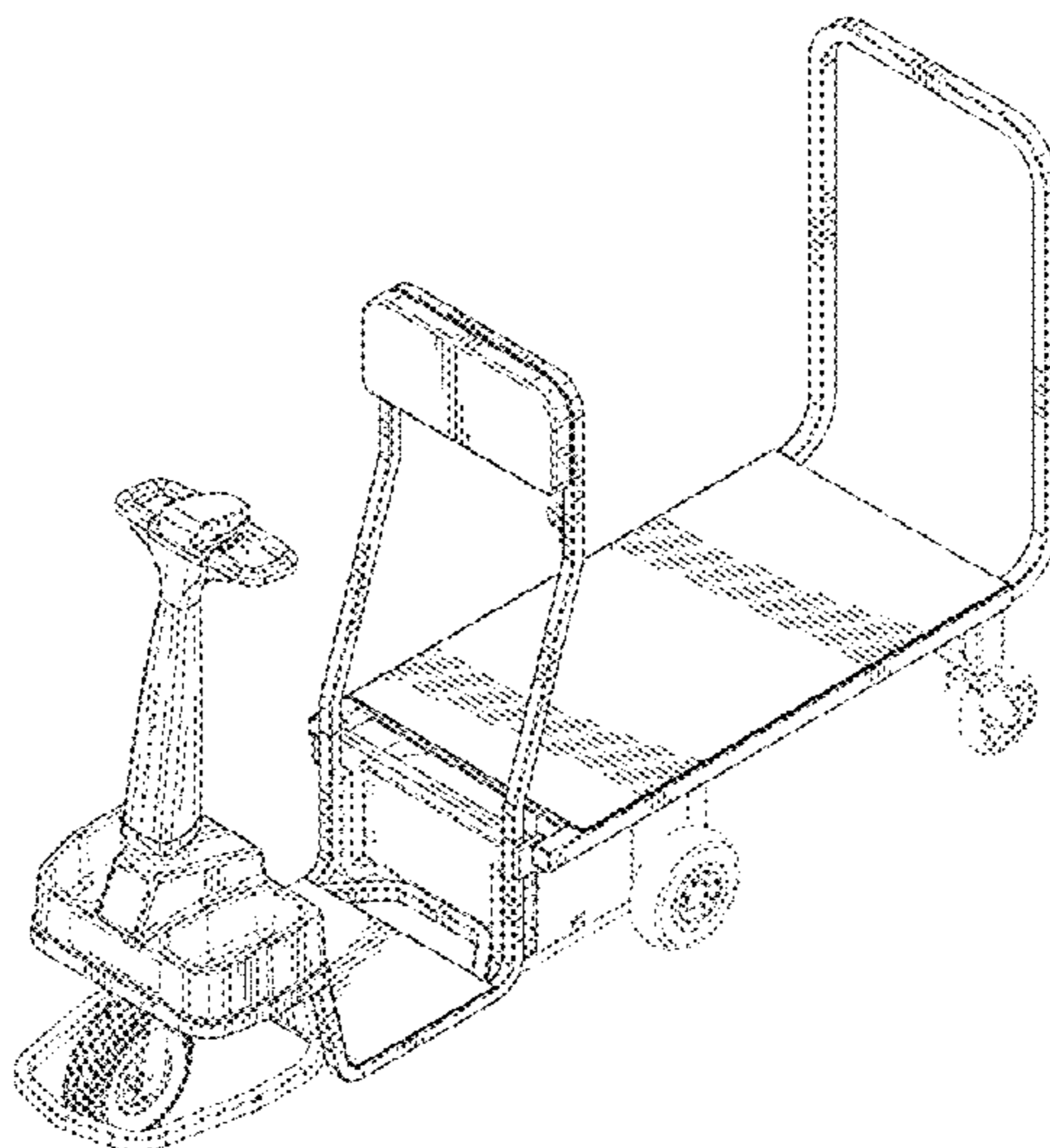
DESCRIPTION

FIG. 1 is a top perspective view of a material handling cart showing our new design;
 FIG. 2 is a bottom perspective view thereof;
 FIG. 3 is a left side devotional view thereof;
 FIG. 4 is a right side elevational view thereof;
 FIG. 5 is a front elevational view thereof;
 FIG. 6 is a rear elevational view thereof;
 FIG. 7 is a top plan view thereof;
 FIG. 8 is a bottom plan view thereof;
 FIG. 9 is a top perspective view thereof, in a storage condition; and,
 FIG. 10 is a right side elevational view of FIG. 9.
 The broken lines in the drawings are included for the purpose of illustrating portions of the material handling cart and form no part of the claimed design.

(56) **References Cited**
 U.S. PATENT DOCUMENTS

D185,438 S * 6/1959 Jones D34/37
 5,478,196 A * 12/1995 Avitan B62B 3/0612
 414/641

1 Claim, 8 Drawing Sheets



(56)

References Cited

U.S. PATENT DOCUMENTS

2003/0231945 A1* 12/2003 Weatherly B62B 3/1404
414/604
2004/0256166 A1* 12/2004 Holtan B60B 33/0007
180/65.51
2013/0098698 A1* 4/2013 Johnson A47L 11/10
180/65.1

* cited by examiner

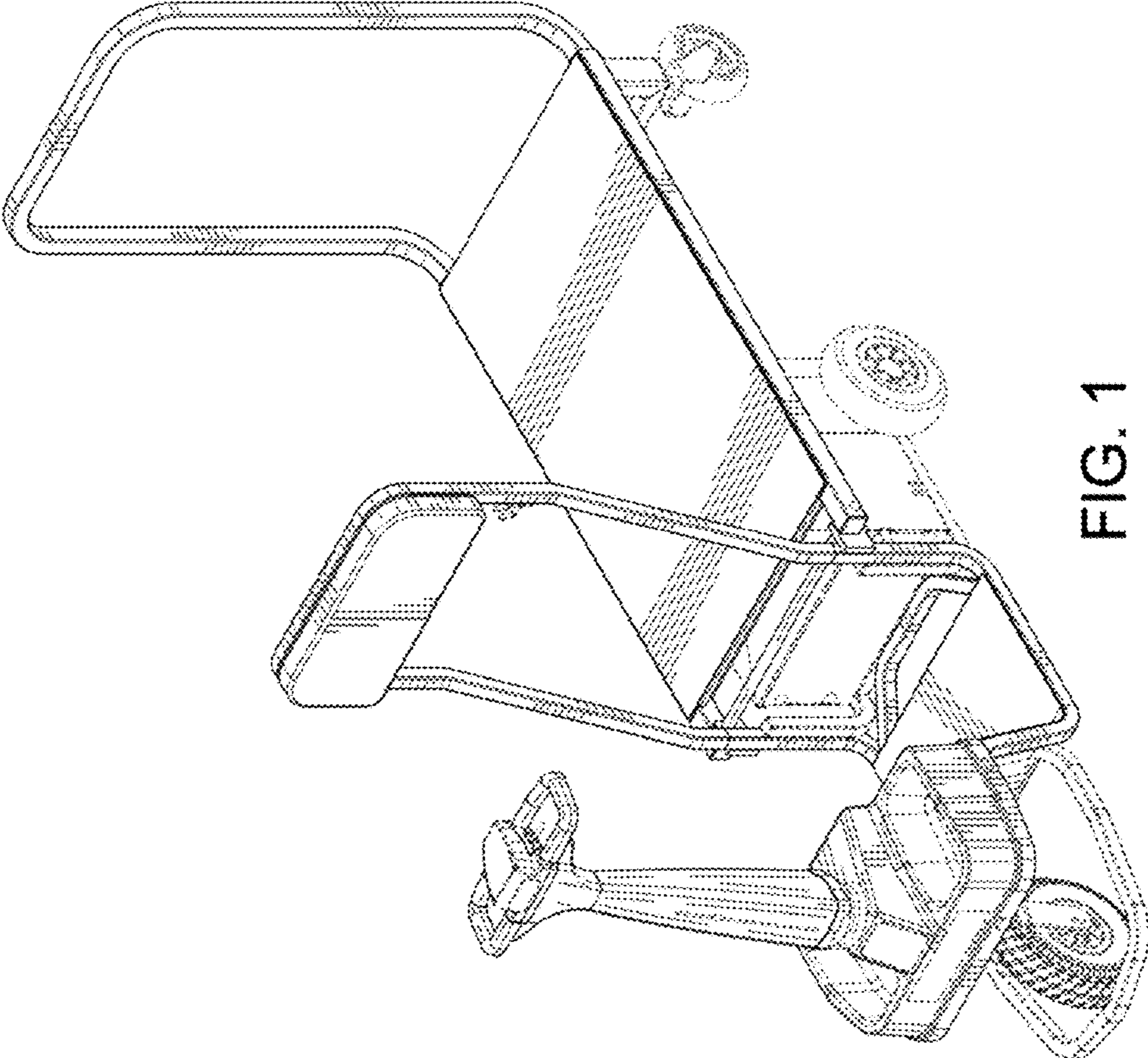


FIG. 1

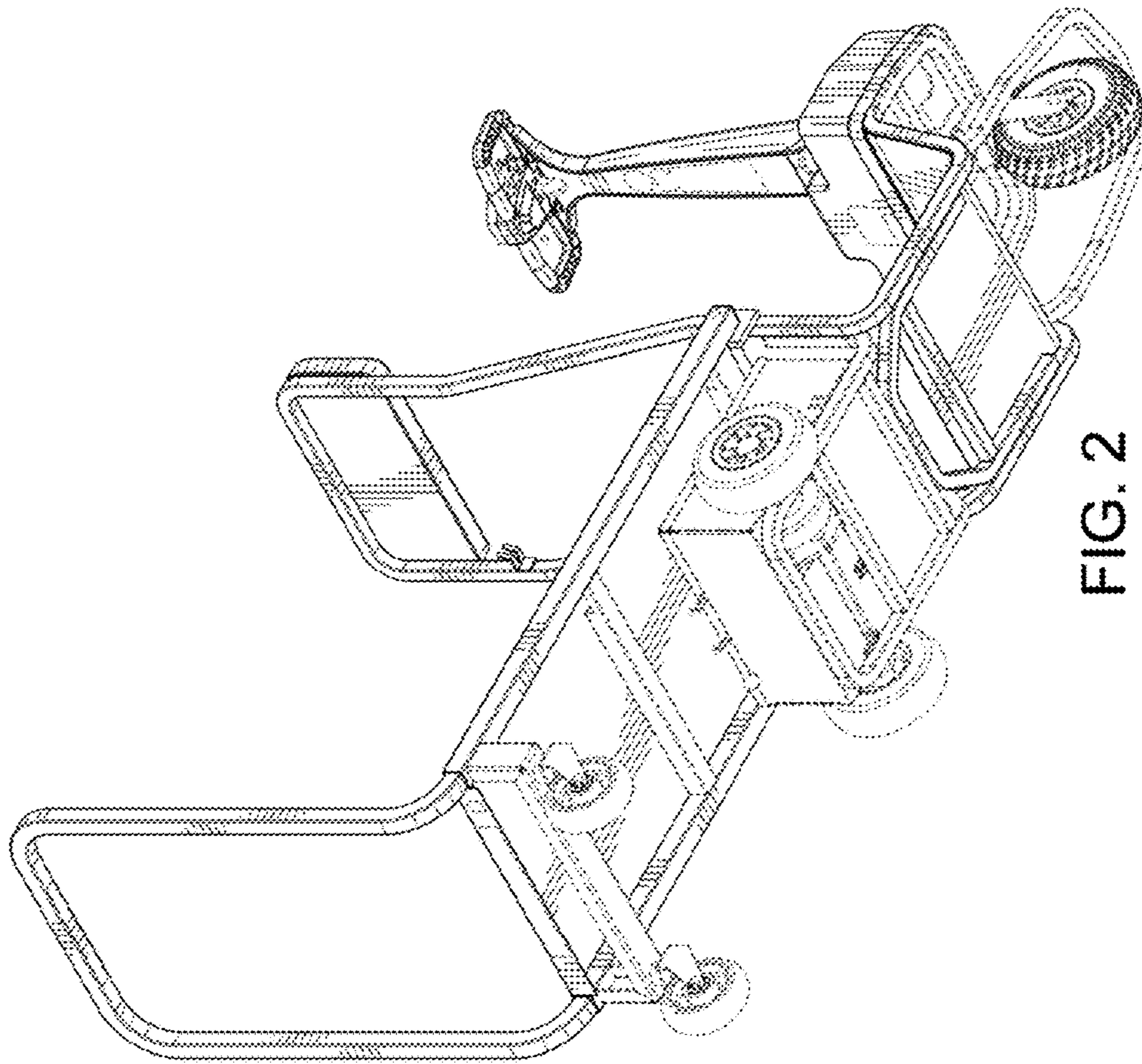


FIG. 2

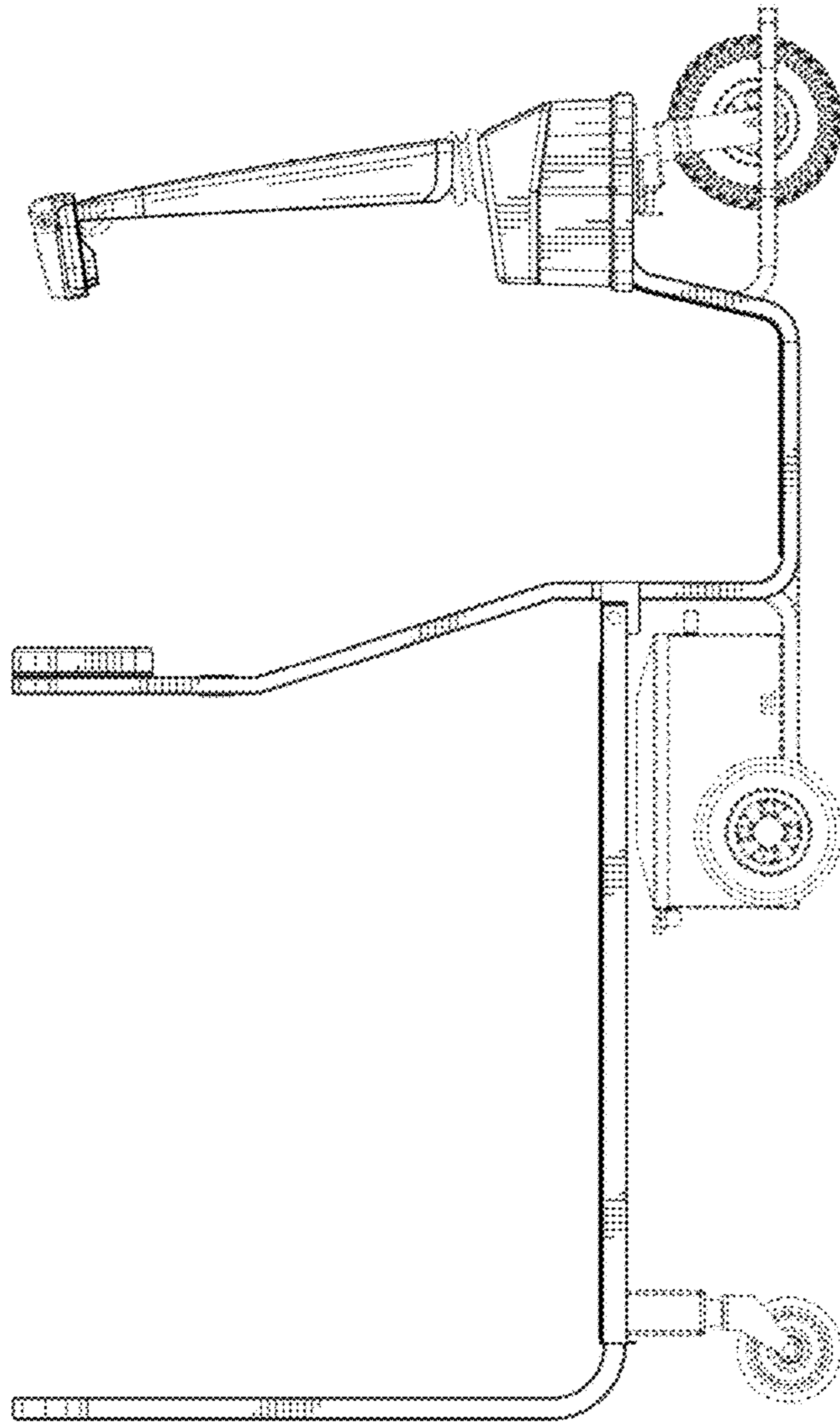


FIG. 3

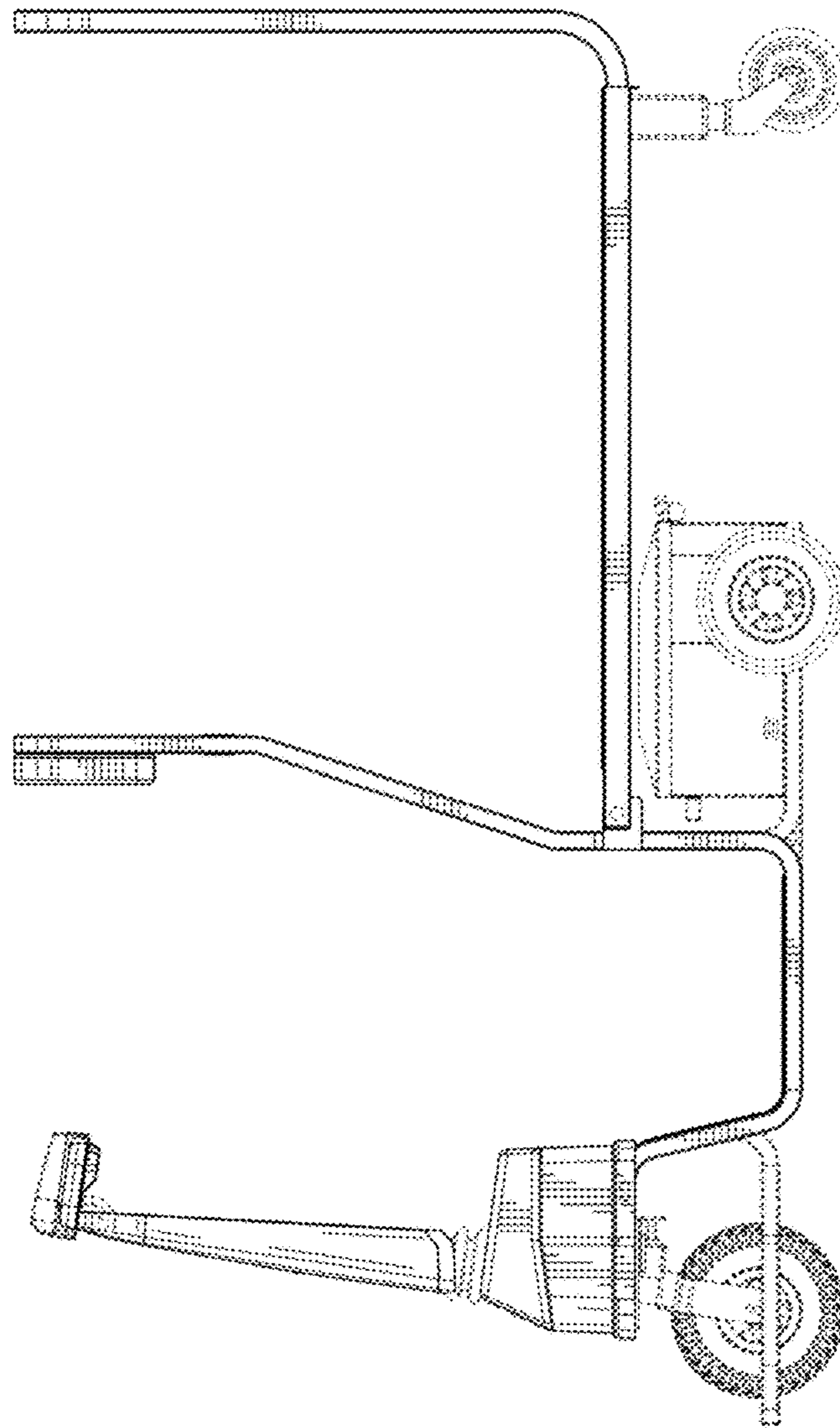


FIG. 4

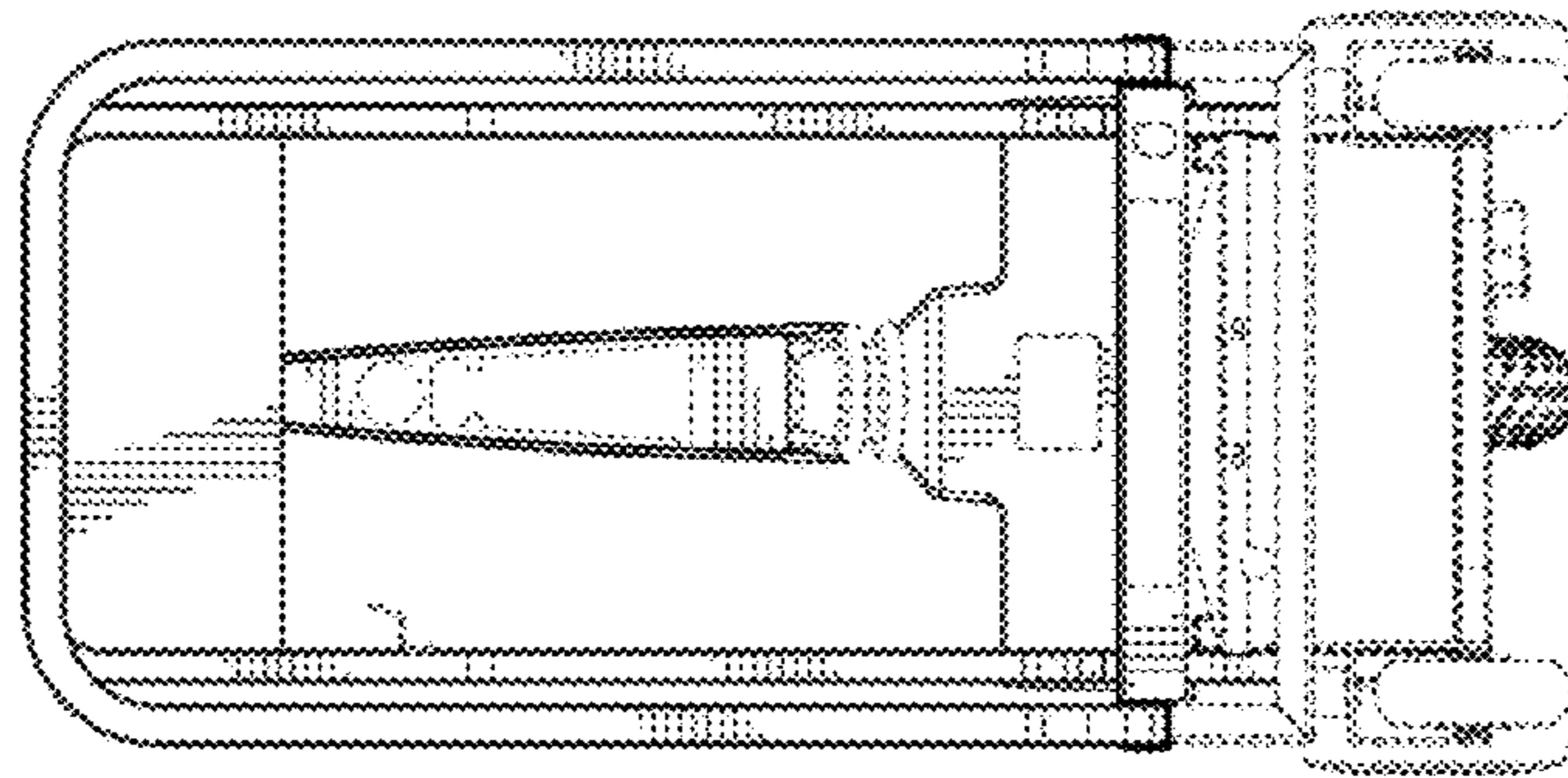


FIG. 6

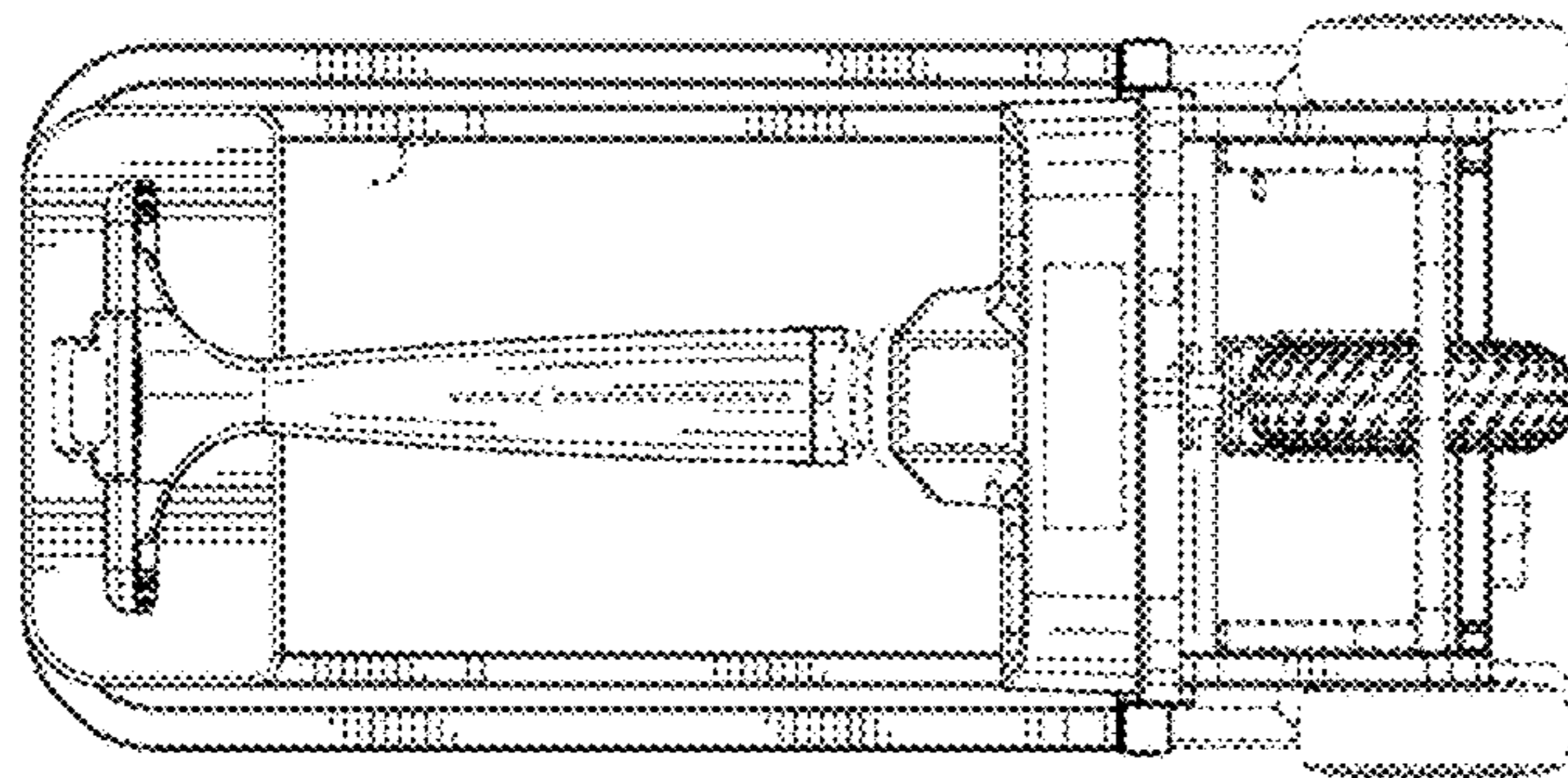


FIG. 5

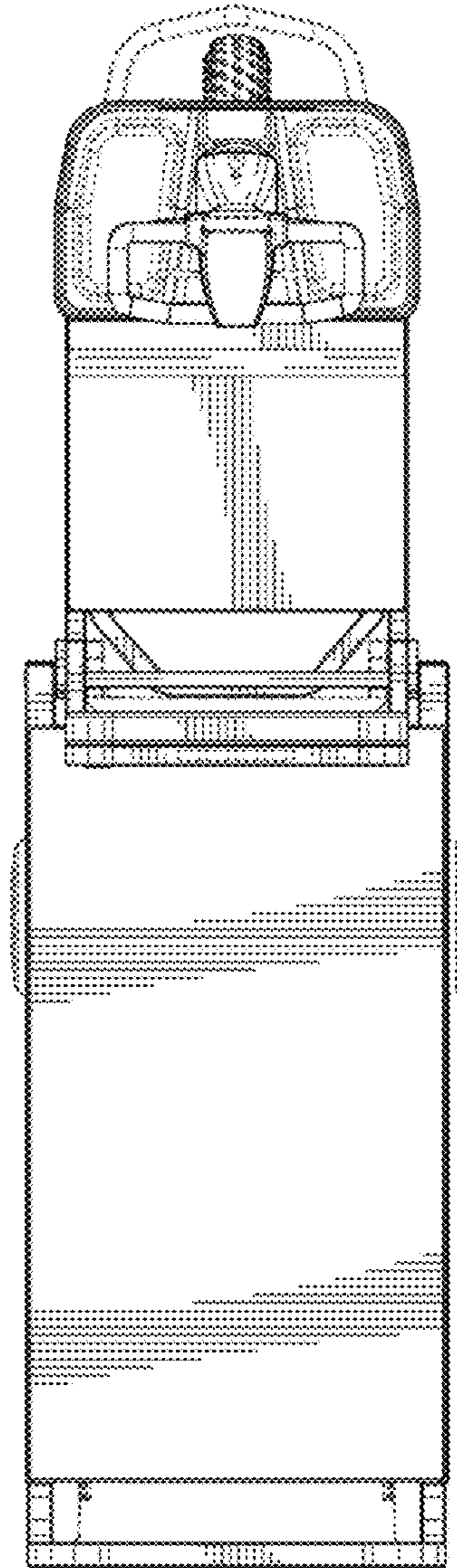


FIG. 7

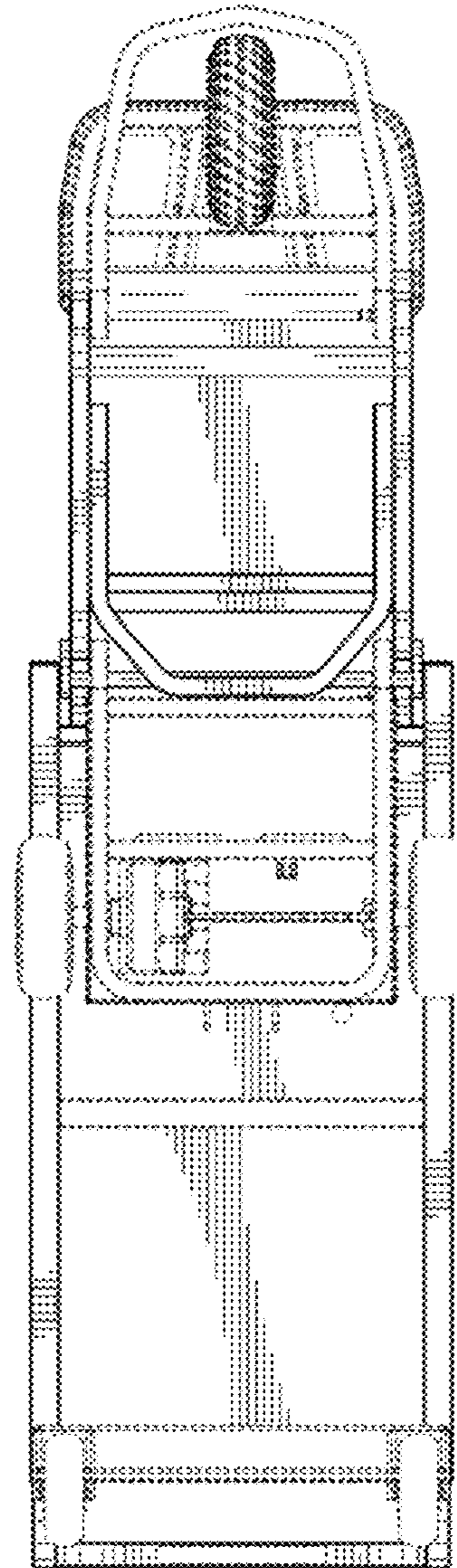


FIG. 8

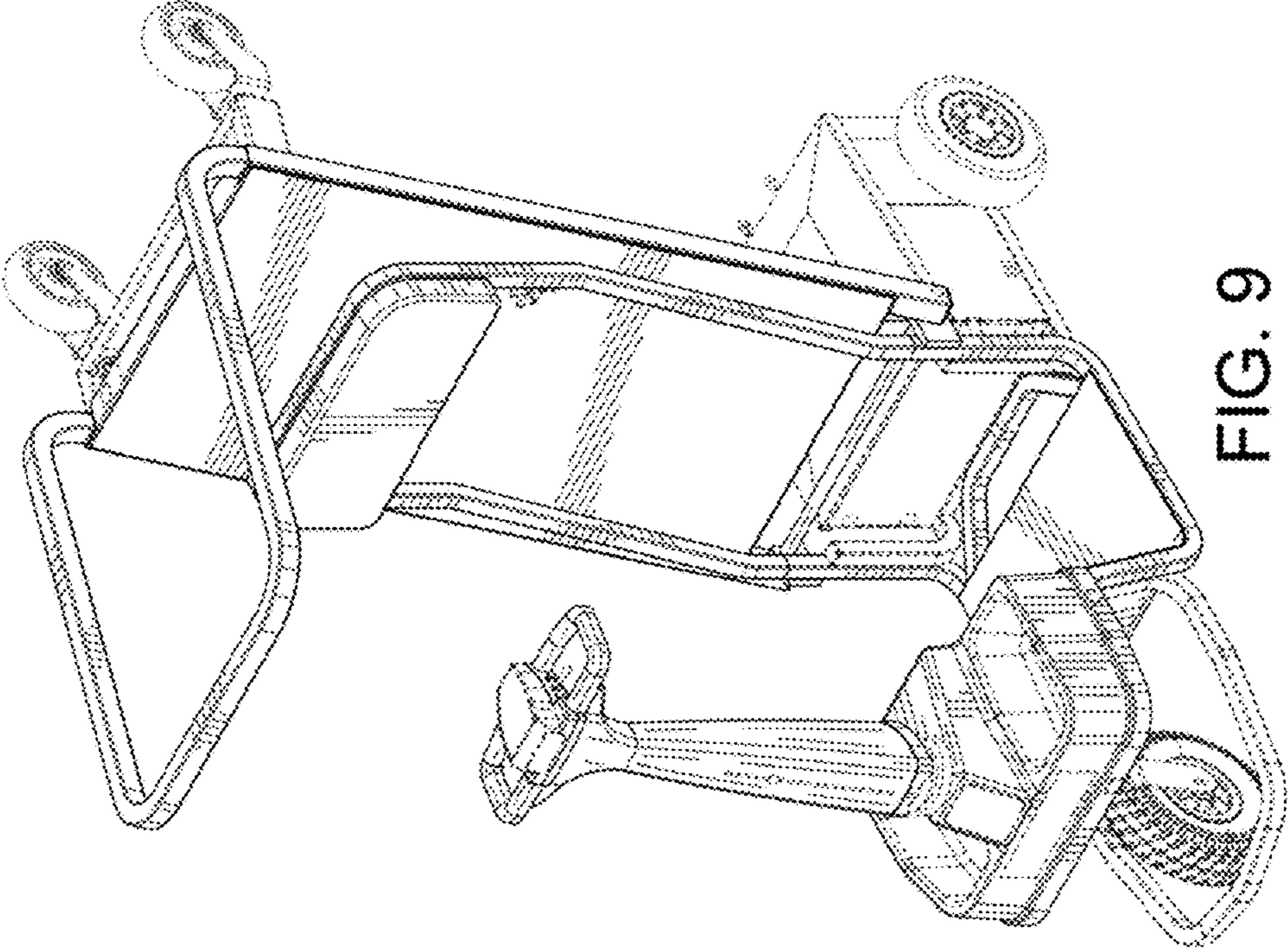


FIG. 9

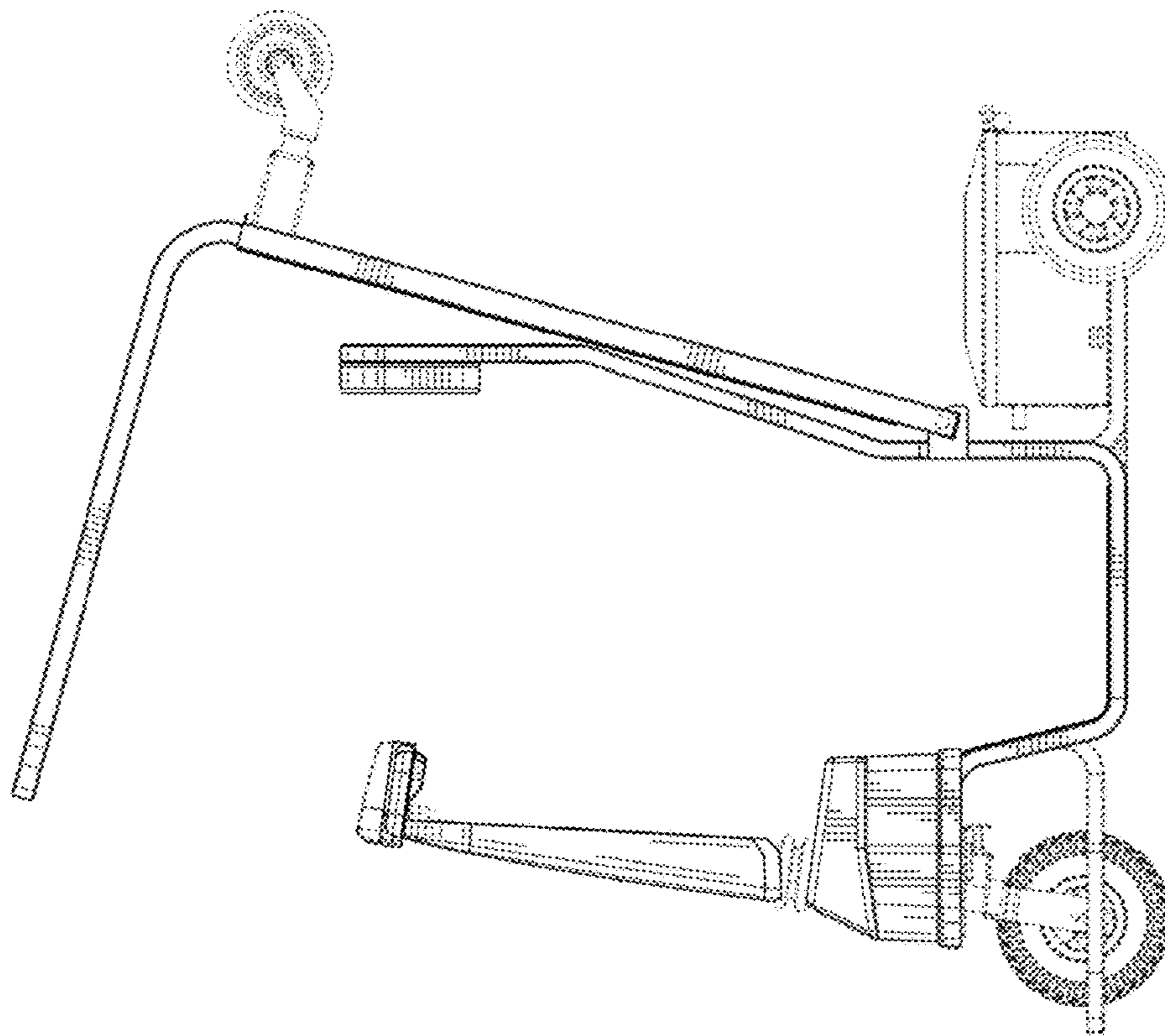


FIG. 10