

US00D860575S

(12) **United States Design Patent**
Friesen

(10) **Patent No.:** **US D860,575 S**

(45) **Date of Patent:** **** Sep. 17, 2019**

(54) **PORTABLE CONVEYOR**

(71) Applicant: **Hi-Crush Canada Inc.**, Houston, TX
(US)

(72) Inventor: **Henry Friesen**, Winkler (CA)

(73) Assignee: **Hi-Crush Canada Inc.**, Houston, TX
(US)

(**) Term: **15 Years**

(21) Appl. No.: **29/638,191**

(22) Filed: **Feb. 26, 2018**

(51) **LOC (12) Cl.** **12-05**

(52) **U.S. Cl.**
USPC **D34/29**

(58) **Field of Classification Search**
USPC 414/499, 502, 507, 529, 537, 572;
198/300, 303, 312, 316.1, 339.1, 840,
198/841; D34/28, 29
CPC B65G 45/16; B65G 39/02; B65G 39/07
See application file for complete search history.

(56) **References Cited**

U.S. PATENT DOCUMENTS

2,381 A *	12/1841	Wyeth	B65G 67/00 414/572
1,474,855 A *	11/1923	Stamp	B65G 63/008 198/302
3,621,983 A *	11/1971	Arentzen	B65G 21/14 198/303
3,974,907 A *	8/1976	Shaw	B65G 41/008 198/589
4,850,783 A *	7/1989	Maekawa	B65G 1/1378 414/792.9
6,799,933 B1 *	10/2004	Wasinger	B65D 88/129 414/352
7,866,456 B2 *	1/2011	Bauman	B65G 33/00 198/311

(Continued)

OTHER PUBLICATIONS

HiCrush, "Top Fill Conveyor", Apr. 2, 2019. https://cdn2.hubspot.net/hubfs/4010401/Hi-Crush_Nov2018/Hi-Crush_FB-Top-Fill-Conveyor_TechSheet_FINAL.pdf. Shown on p. 2. (Year: 2019).*

Primary Examiner — Cynthia Ramirez

Assistant Examiner — Michael A Maharajh

(74) *Attorney, Agent, or Firm* — Baker Botts L.L.P.

(57) **CLAIM**

The ornamental design for a portable conveyor, as shown and described.

DESCRIPTION

FIG. 1 is a perspective view from a top, front and left side of portable conveyor showing my new design;

FIG. 2 is a perspective view from the top, rear and left side thereof;

FIG. 3 is a perspective view from the top, rear and right side thereof;

FIG. 4 is a perspective view from the top, front, and right side thereof;

FIG. 5 is a perspective view from a bottom, front and left side thereof;

FIG. 6 is a perspective view from the bottom, rear and left side thereof;

FIG. 7 is a perspective view from the bottom, rear and right side thereof;

FIG. 8 is a perspective view from the bottom, front, and right side thereof;

FIG. 9 is a left side elevational view thereof;

FIG. 10 is a rear elevational view shown at a larger scale thereof;

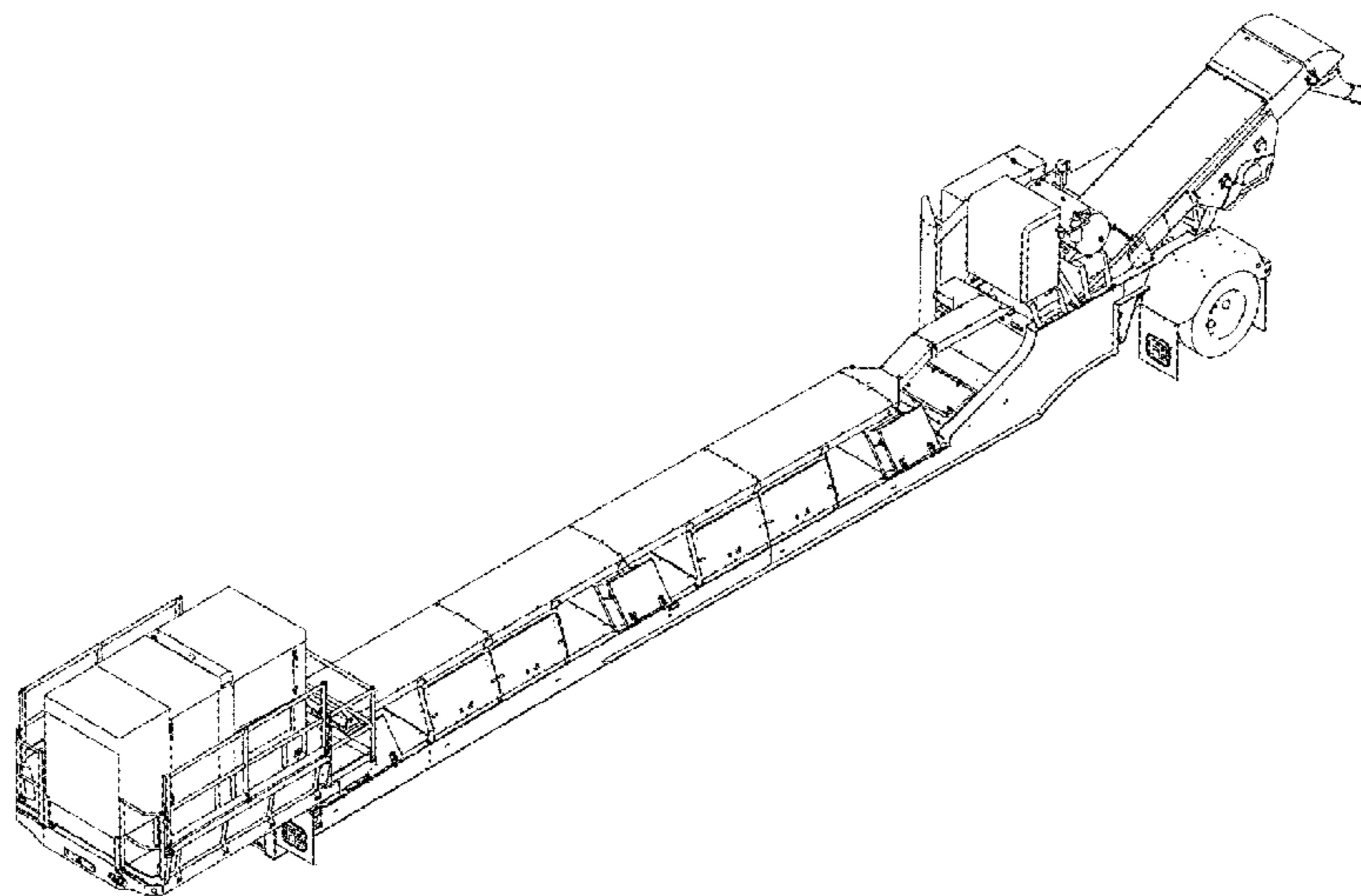
FIG. 11 is a right side elevational view thereof;

FIG. 12 is a front elevational view shown at a larger scale thereof;

FIG. 13 a top plan view thereof; and,

FIG. 14 is a bottom plan view thereof.

1 Claim, 14 Drawing Sheets



(56)

References Cited

U.S. PATENT DOCUMENTS

7,946,416 B2 * 5/2011 Grose B65G 47/18
198/312
8,147,176 B2 * 4/2012 Coers A01D 41/1217
414/502
8,251,199 B2 * 8/2012 Tebbe B65G 65/28
198/301
8,573,387 B2 * 11/2013 Trimble B65G 41/002
198/313
8,820,510 B2 * 9/2014 Forster E01C 23/088
198/312
D819,920 S * 6/2018 Friesen D34/28
D824,131 S * 7/2018 Friesen D34/29
2012/0298478 A1 * 11/2012 Friesen A01C 15/003
198/311
2016/0230934 A1 * 8/2016 Friesen F17C 13/081
2017/0334654 A1 * 11/2017 Friesen B60P 1/36
2019/0016546 A1 * 1/2019 Friesen B65G 65/42

* cited by examiner

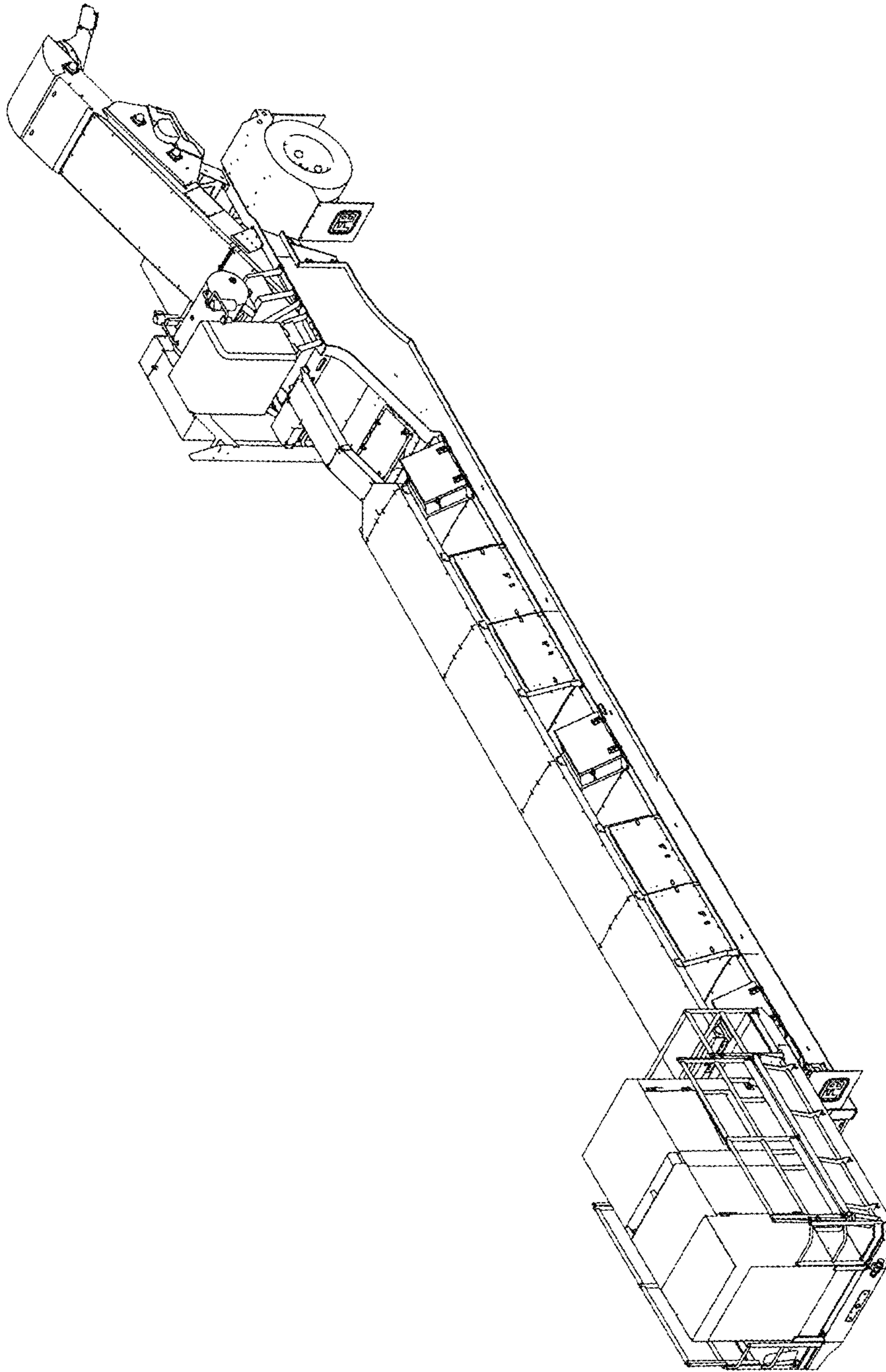


FIG. 1

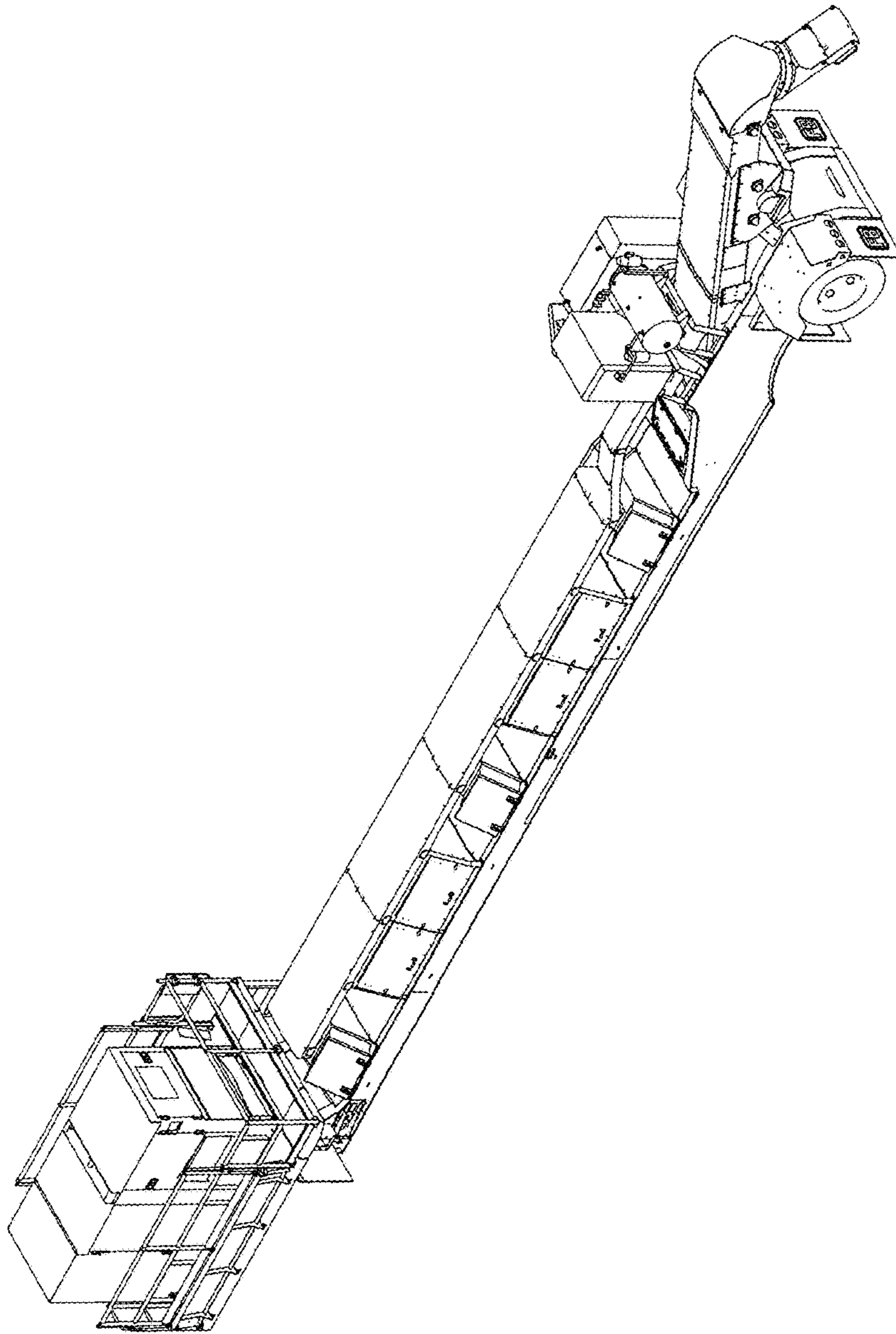


FIG. 2

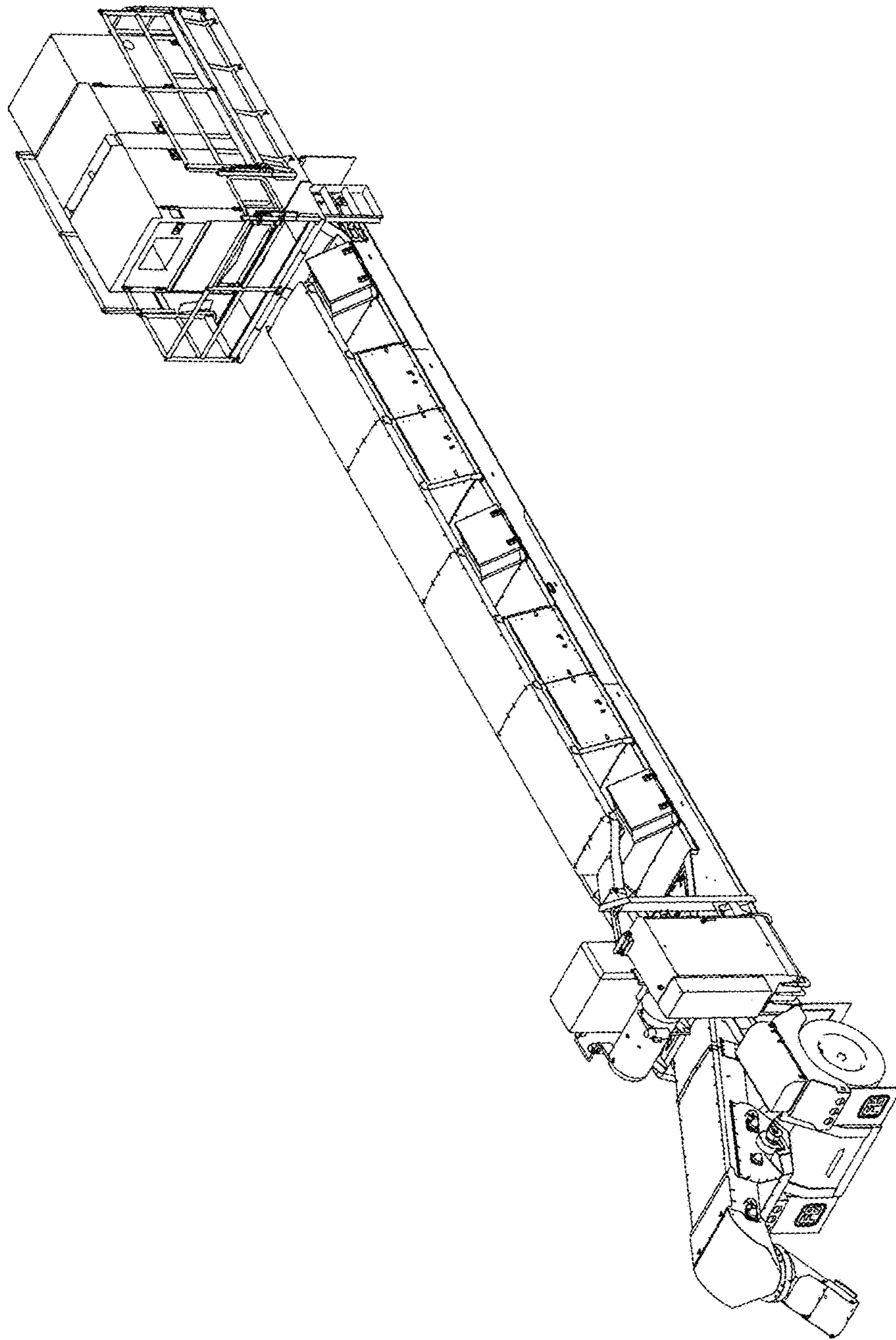


FIG. 3

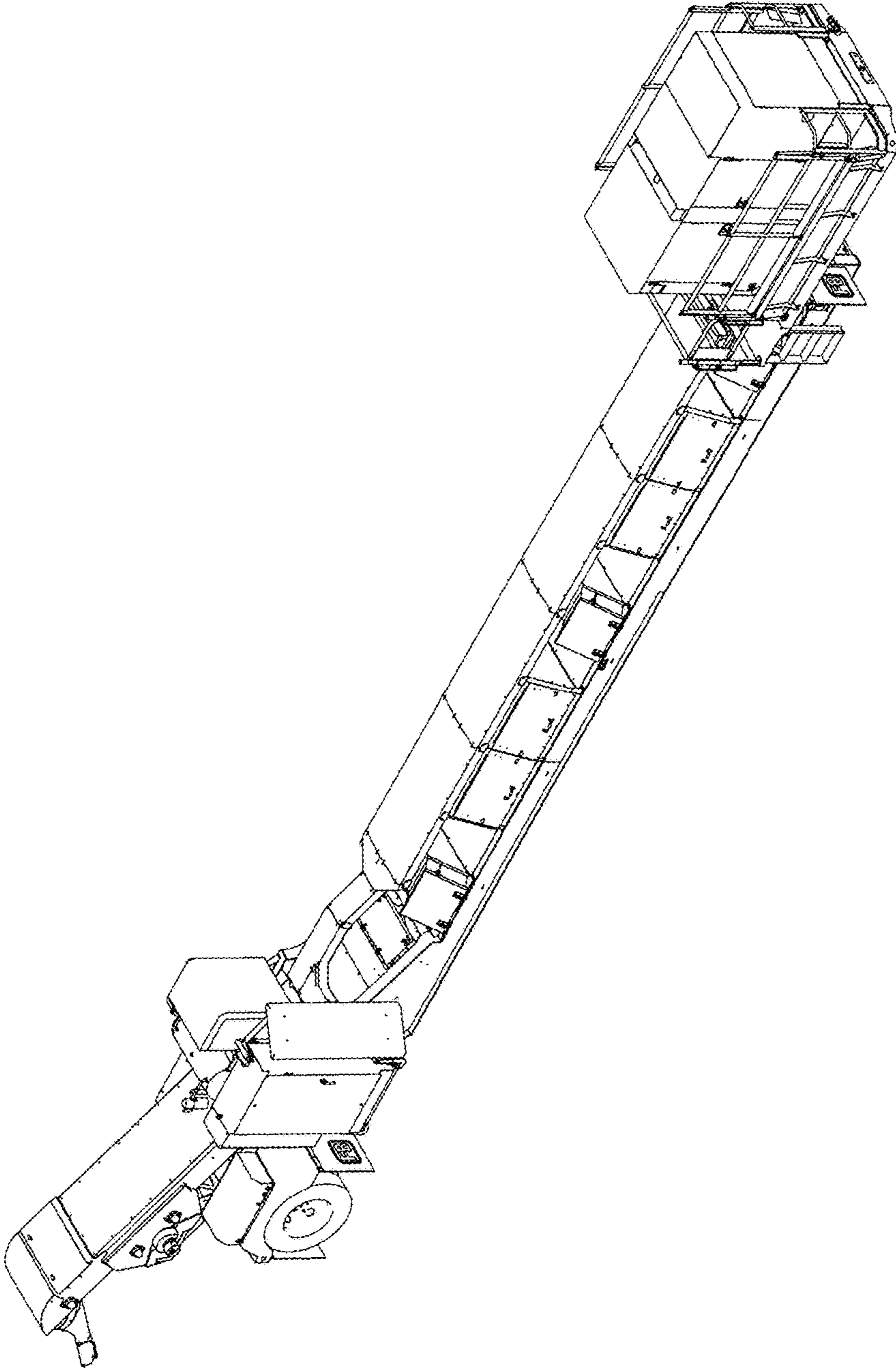


FIG. 4

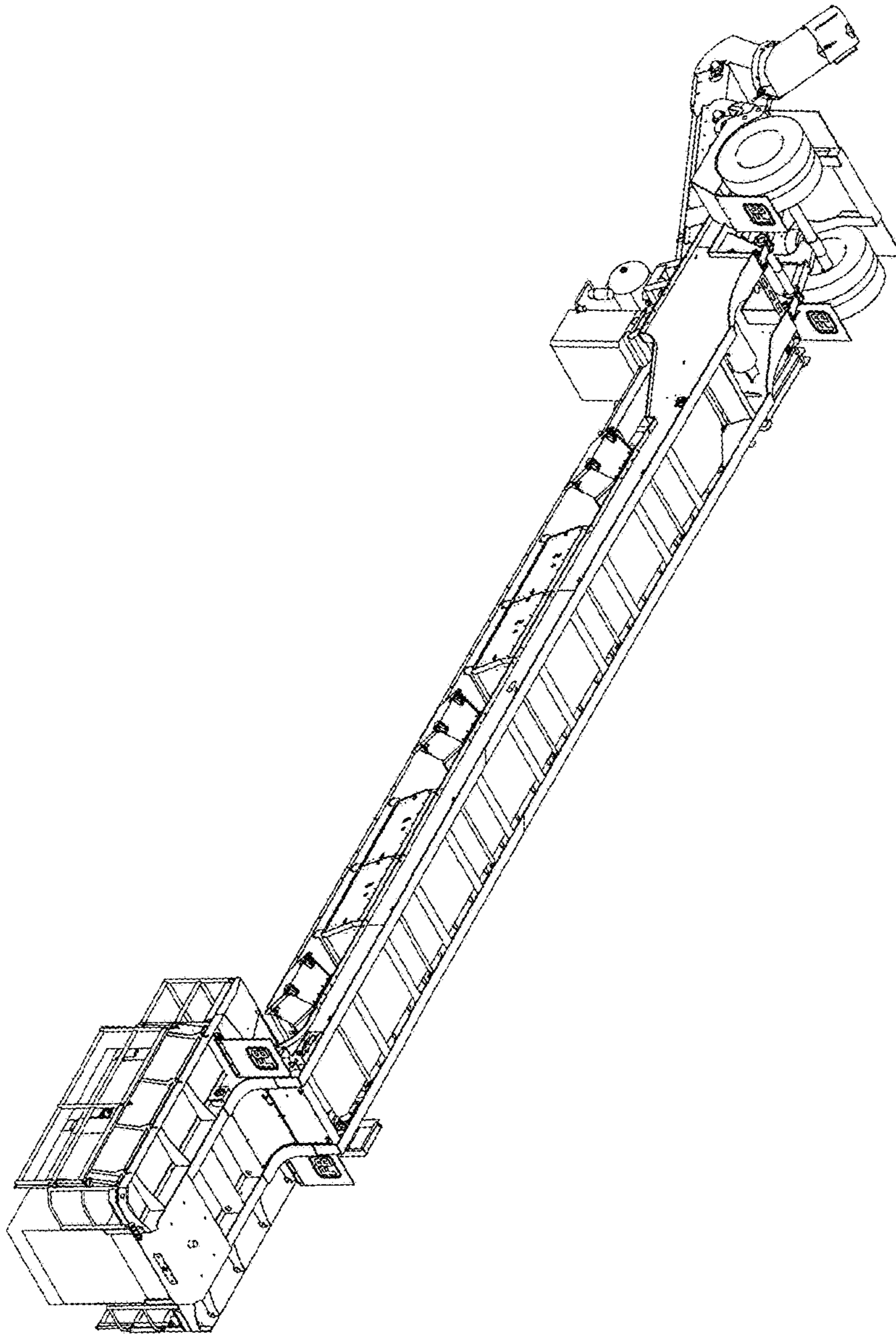


FIG. 5

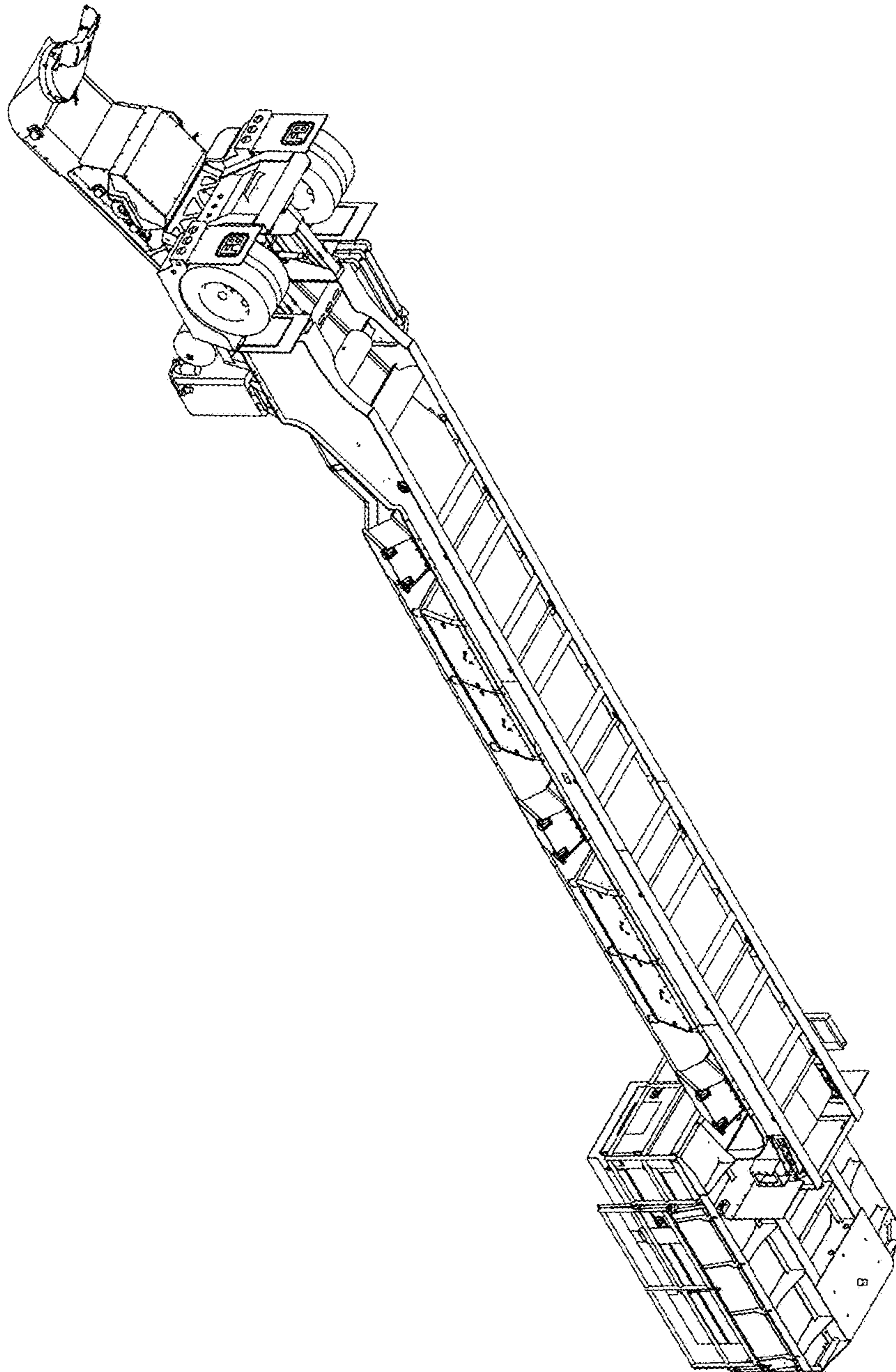


FIG. 6

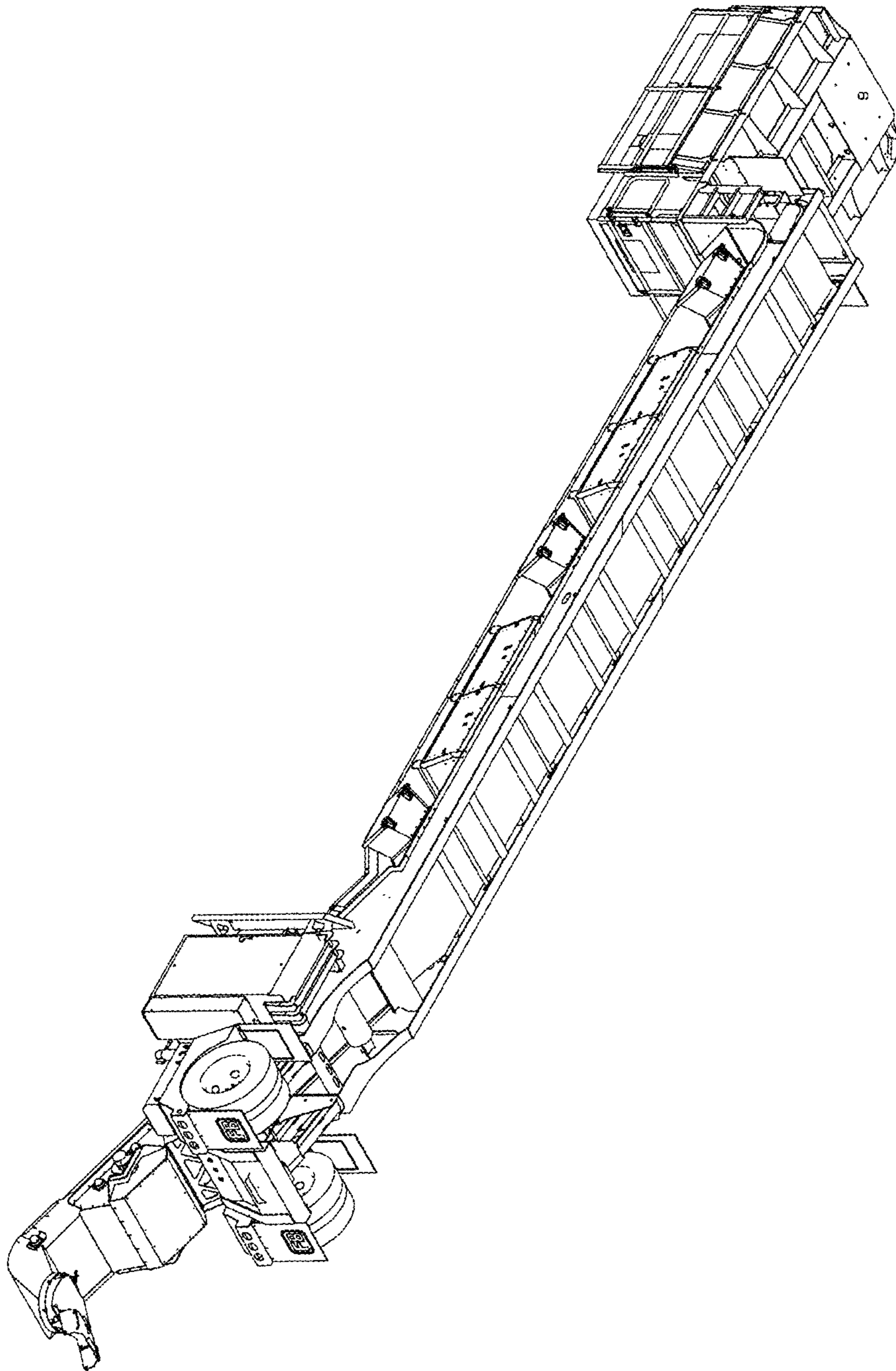


FIG. 7

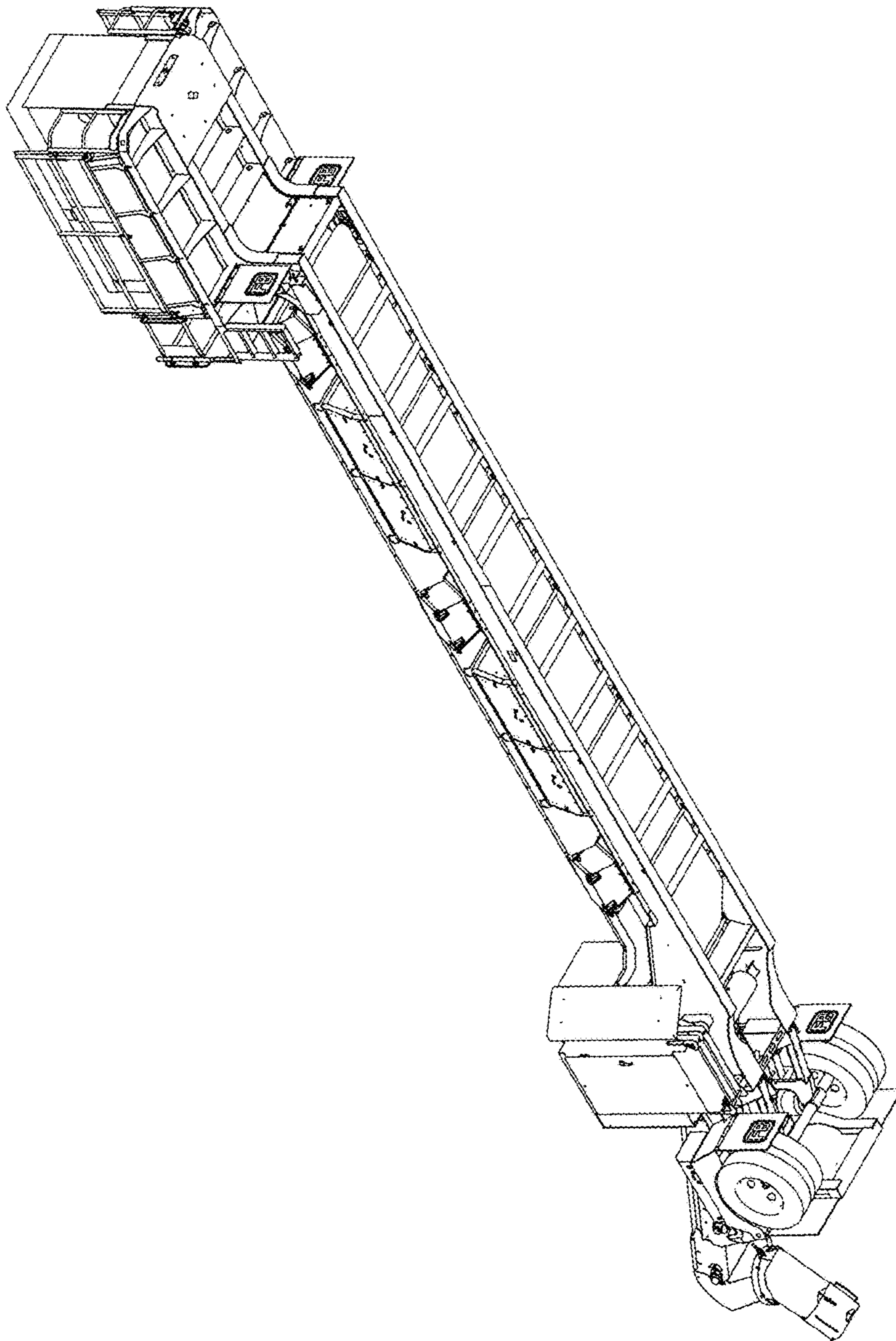


FIG. 8

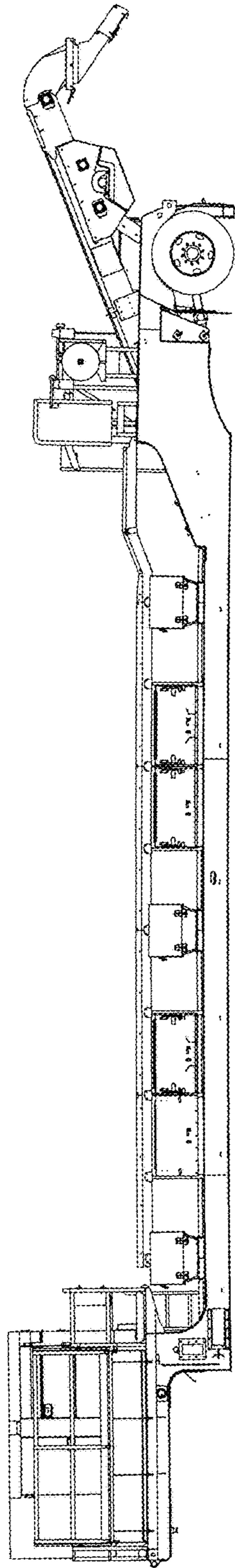


FIG. 9

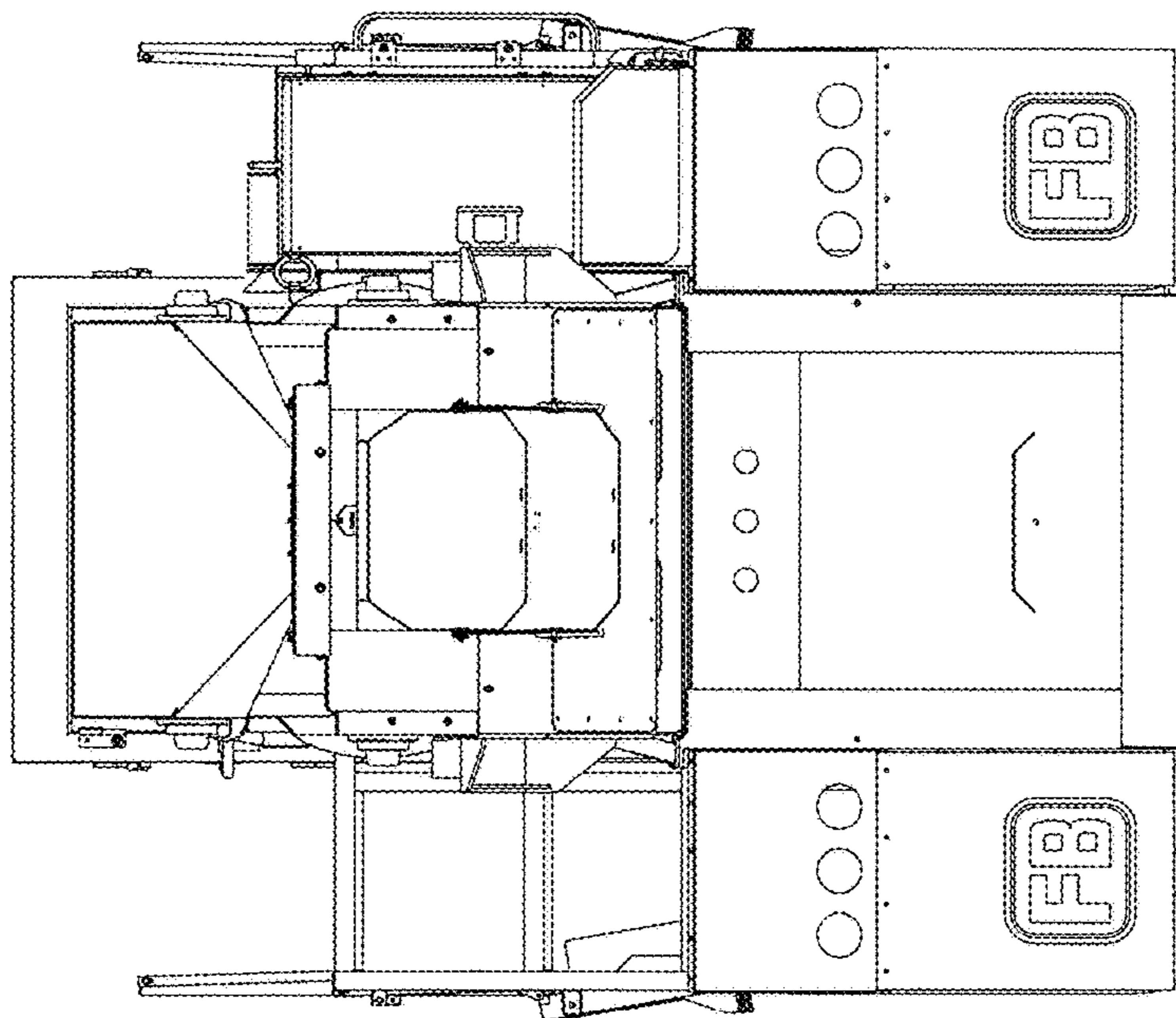


FIG. 10

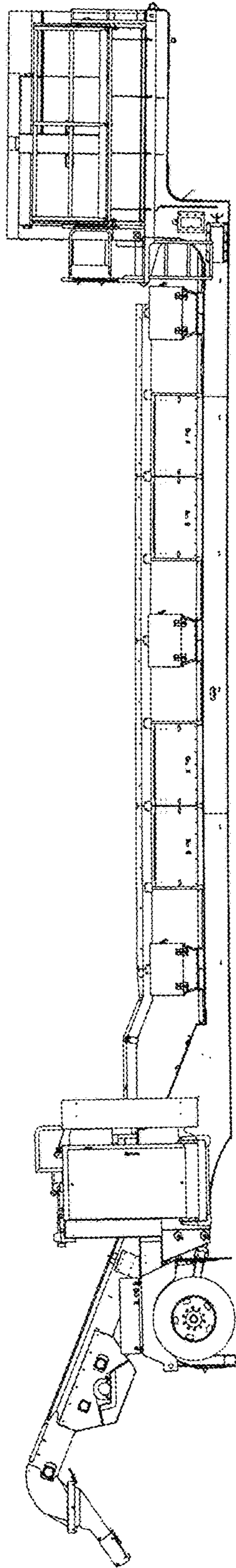


FIG. 11

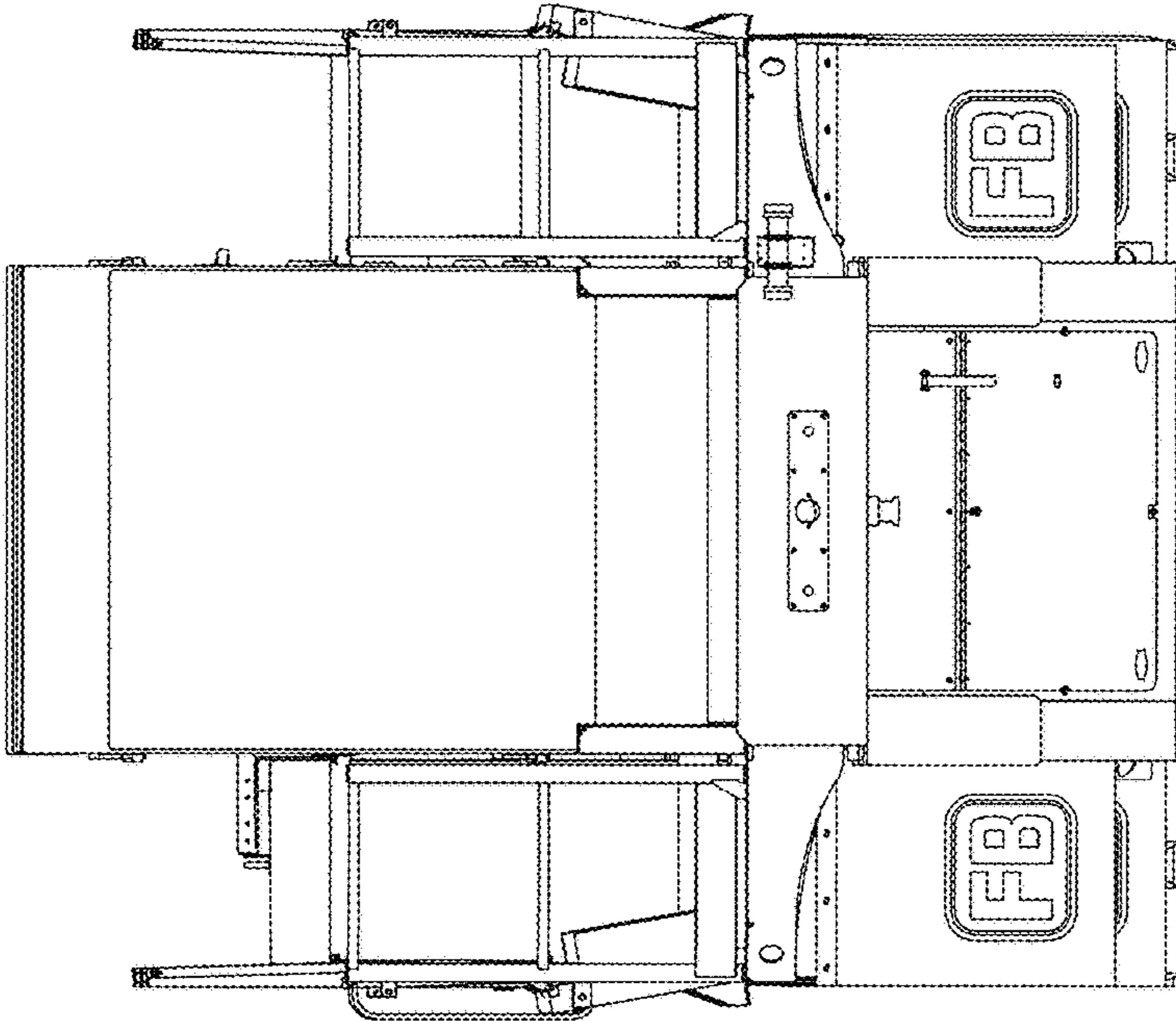


FIG. 12

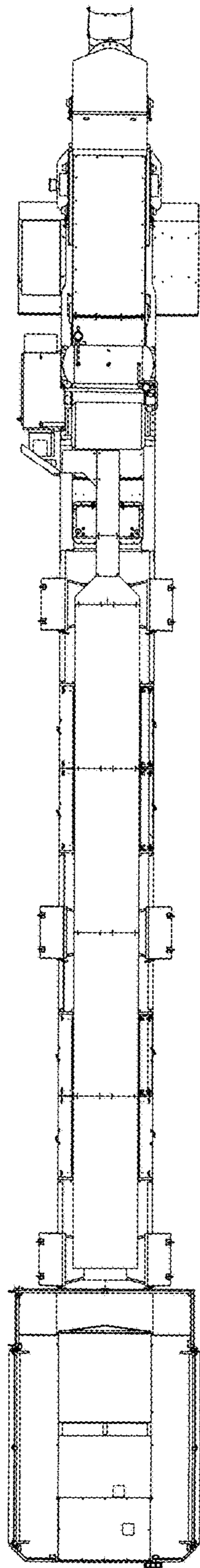


FIG. 13

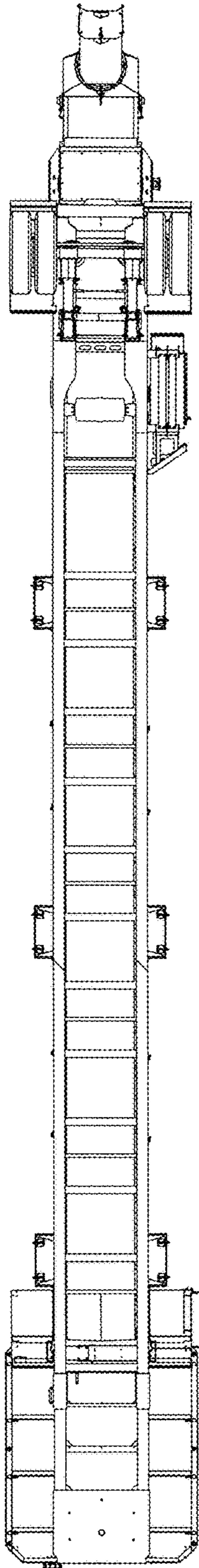


FIG. 14