



US00D860574S

(12) **United States Design Patent** (10) **Patent No.:** **US D860,574 S**
Baez (45) **Date of Patent:** **** *Sep. 17, 2019**

(54) **FOOD TRAY TOP FRAME**

(71) Applicant: **CAMBRO MANUFACTURING COMPANY**, Huntington Beach, CA (US)

(72) Inventor: **Jorge Baez**, Lake Forest, CA (US)

(73) Assignee: **Cambro Manufacturing Company**, Huntington Beach, CA (US)

(*) Notice: This patent is subject to a terminal disclaimer.

(**) Term: **15 Years**

(21) Appl. No.: **29/627,440**

(22) Filed: **Nov. 27, 2017**

(51) **LOC (12) Cl.** **12-02**

(52) **U.S. Cl.**
USPC **D34/27**

(58) **Field of Classification Search**
USPC D34/12, 17, 27, 21; D6/675.1
CPC . A47B 31/02; A47J 39/02; B25H 3/00; B25H 3/03; B25H 3/06; B25H 3/10; B25H 5/00
See application file for complete search history.

(56) **References Cited**

U.S. PATENT DOCUMENTS

2,787,891	A *	4/1957	Hengehold	A47J 39/02
					220/529
2,886,186	A *	5/1959	Hamilton	A47B 31/00
					108/189
2,948,798	A *	8/1960	Ness	A47B 31/02
					126/37 R
D393,558	S *	4/1998	Thorp	D6/675.1
D400,334	S *	10/1998	Hawkins	D34/21
6,264,220	B1 *	7/2001	Pierce	B25H 3/04
					280/47.35
6,669,214	B1 *	12/2003	Domis	B25H 3/00
					280/47.19

D588,322	S *	3/2009	Tilk	D34/20
D710,064	S *	7/2014	Schumaker	D34/17
2012/0085745	A1 *	4/2012	Brattoli	A47B 31/00
					108/189

* cited by examiner

Primary Examiner — Cynthia Ramirez

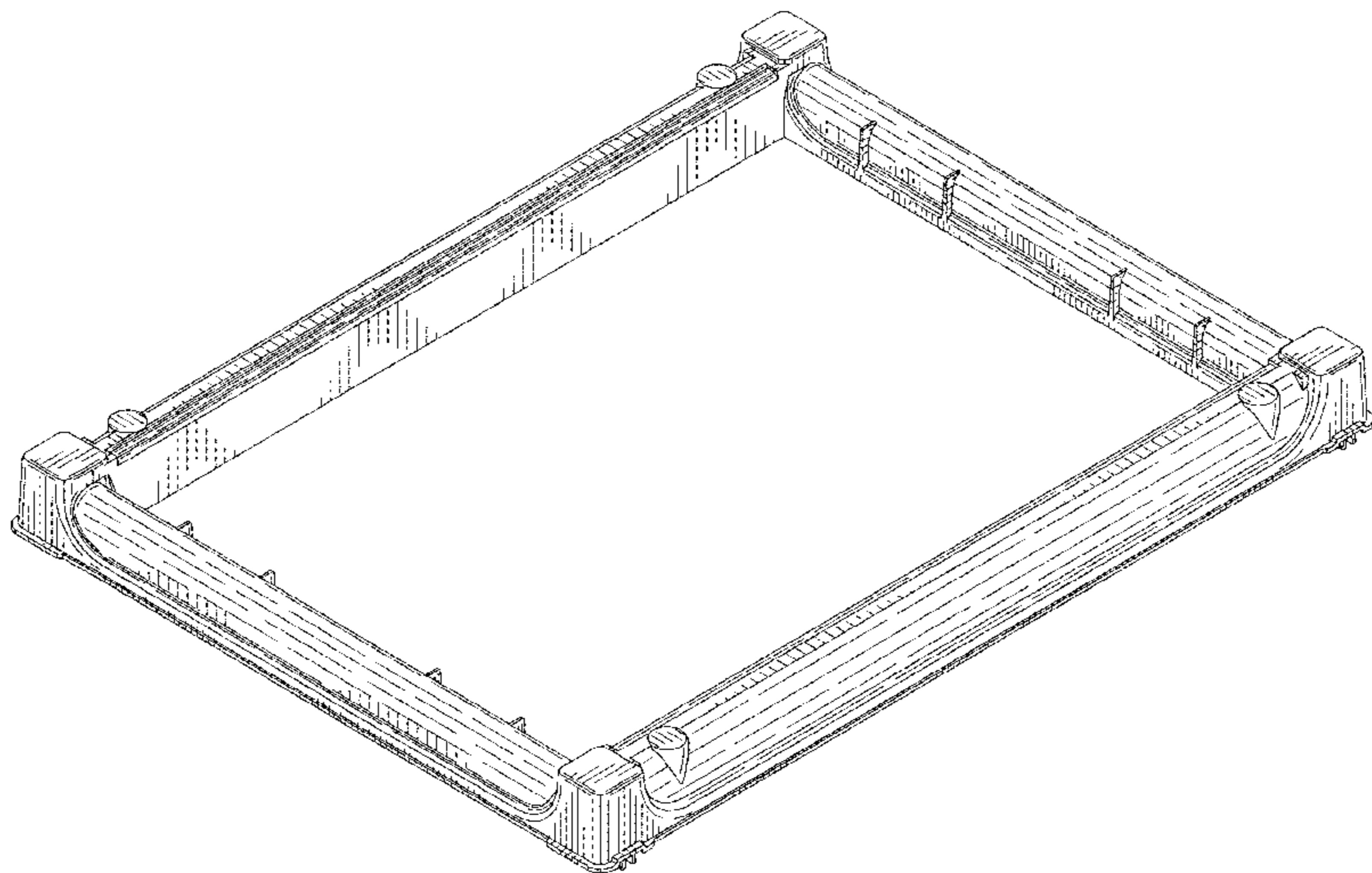
(57) **CLAIM**

I claim the ornamental design for a food tray top frame, as shown and described.

DESCRIPTION

FIG. 1 is a frontal perspective view of the food tray top frame.
 FIG. 2 is a top plan view thereof.
 FIG. 3 is a front elevation view thereof.
 FIG. 4 is a right side elevation view thereof.
 FIG. 5 is a left side elevation view thereof.
 FIG. 6 is a rear elevation view thereof.
 FIG. 7 is a bottom plan view thereof.
 FIG. 8 is a bottom perspective view thereof.
 FIG. 9 is another perspective view in condition of use.
 FIG. 10 shows a frontal perspective view of an alternative embodiment of the food tray top frame.
 FIG. 11 is a top plan view thereof.
 FIG. 12 is a front elevation view thereof.
 FIG. 13 is a right side elevation view thereof.
 FIG. 14 is a left side elevation view thereof.
 FIG. 15 is a rear elevation view thereof.
 FIG. 16 is a bottom plan view thereof.
 FIG. 17 is a bottom perspective view thereof; and,
 FIG. 18 is another perspective view in condition of use.
 The broken lines shown in FIGS. 9 and 18 are included for the purpose of illustrating environment and form no part of the claimed design.

1 Claim, 10 Drawing Sheets



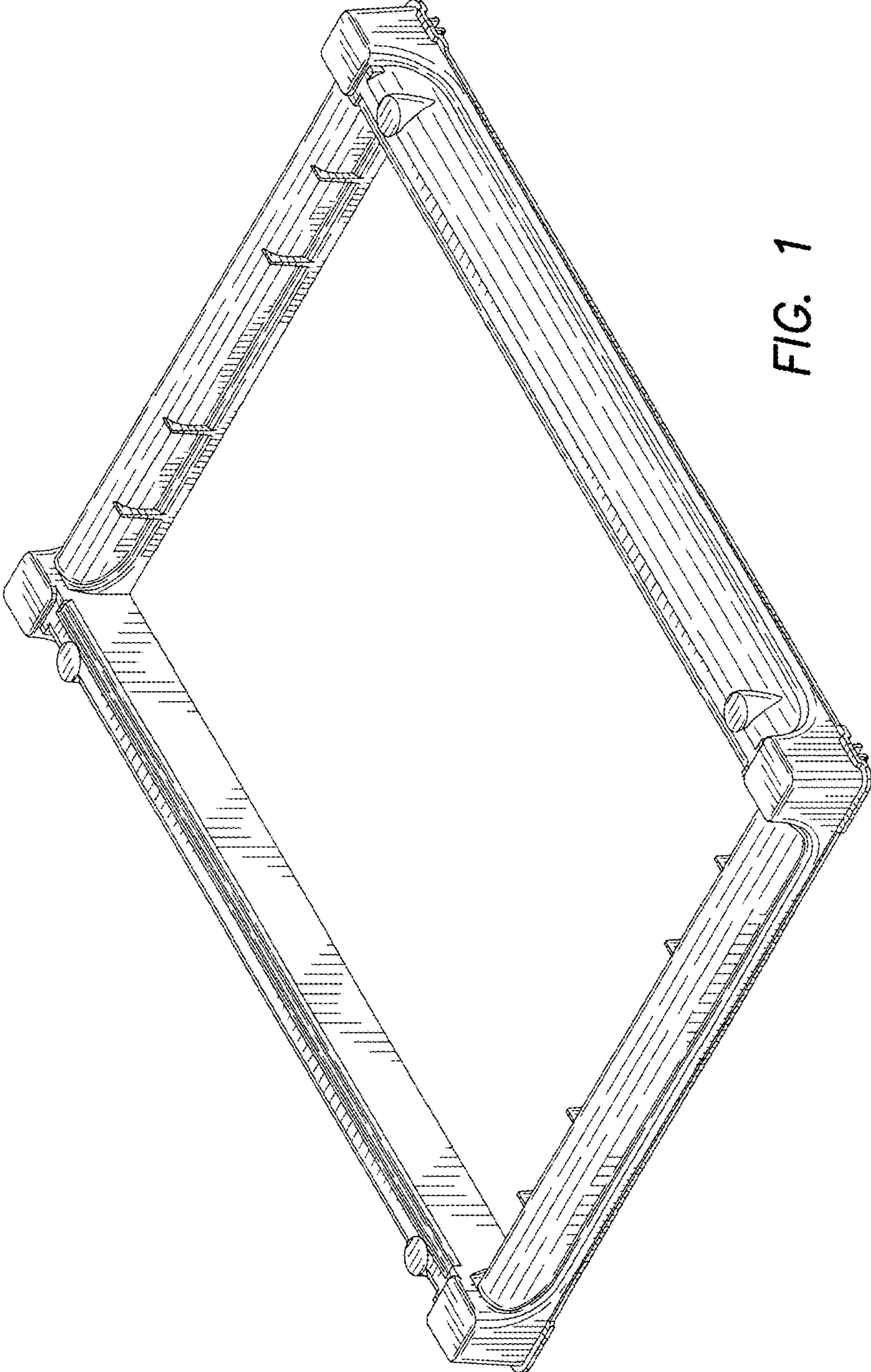


FIG. 1

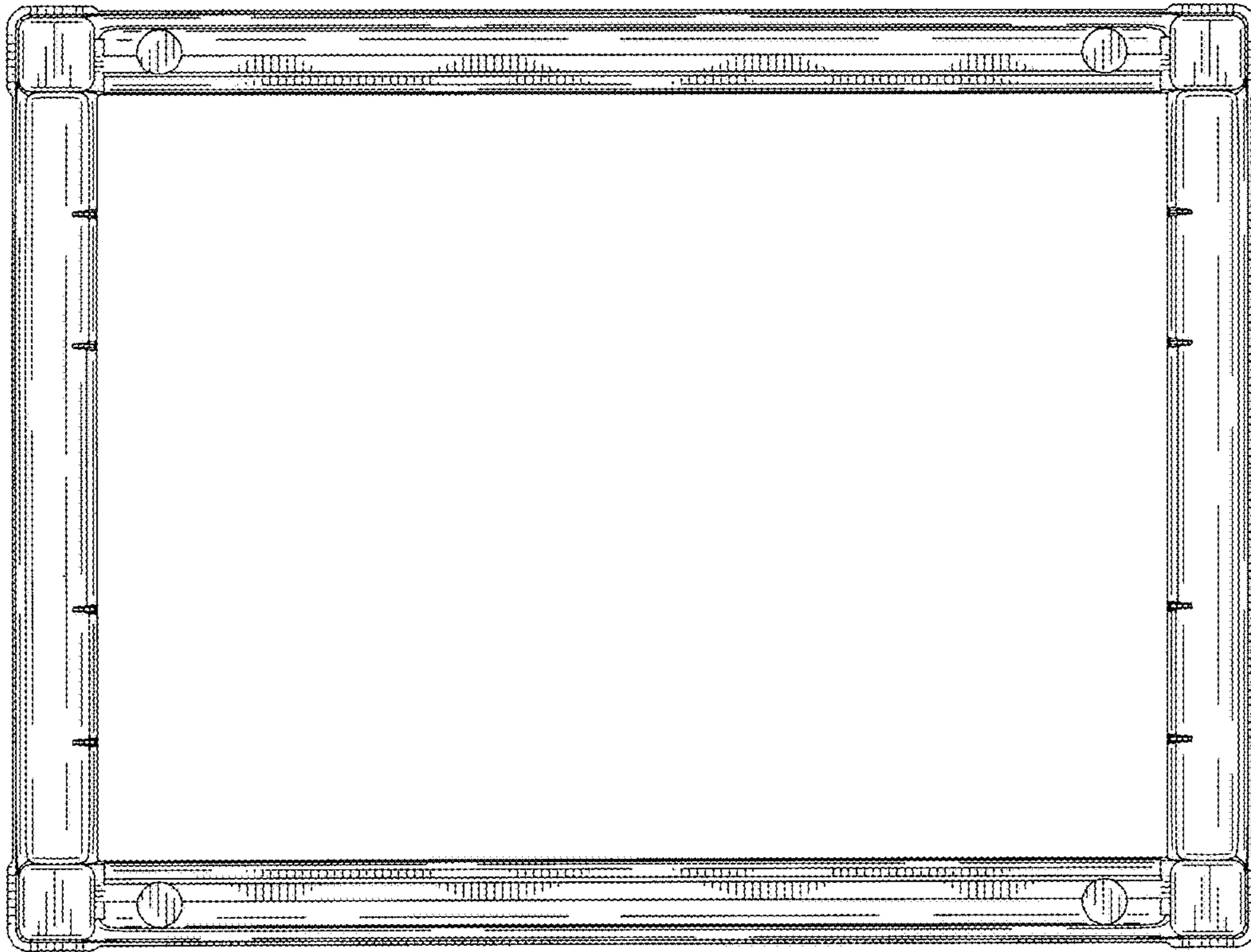


FIG. 2

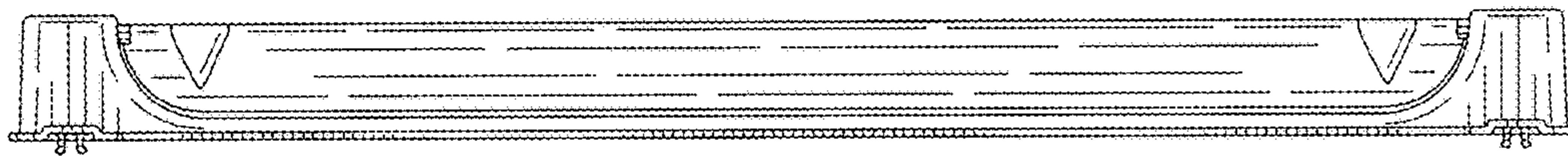


FIG. 3

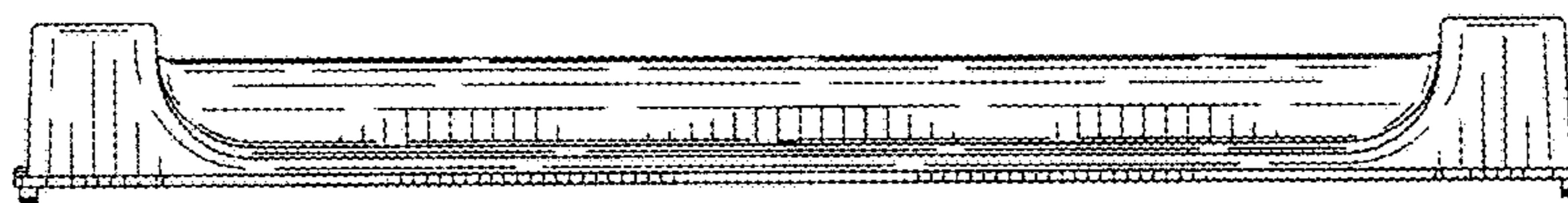


FIG. 4

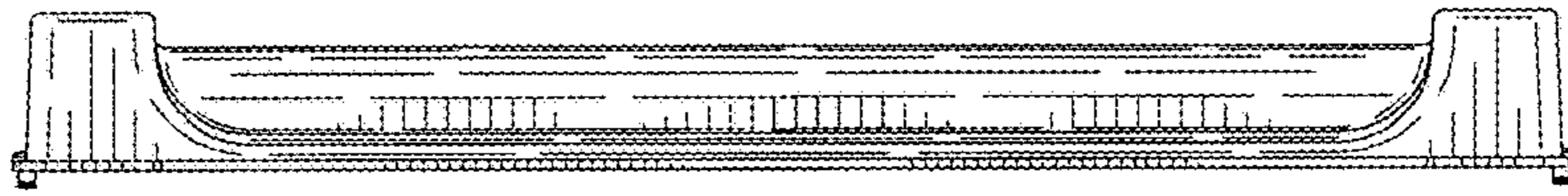


FIG. 5

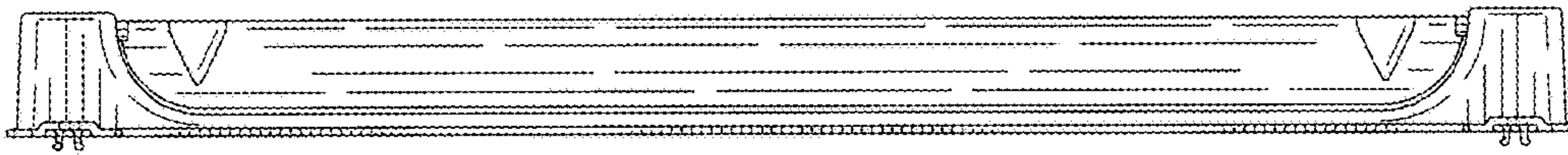


FIG. 6

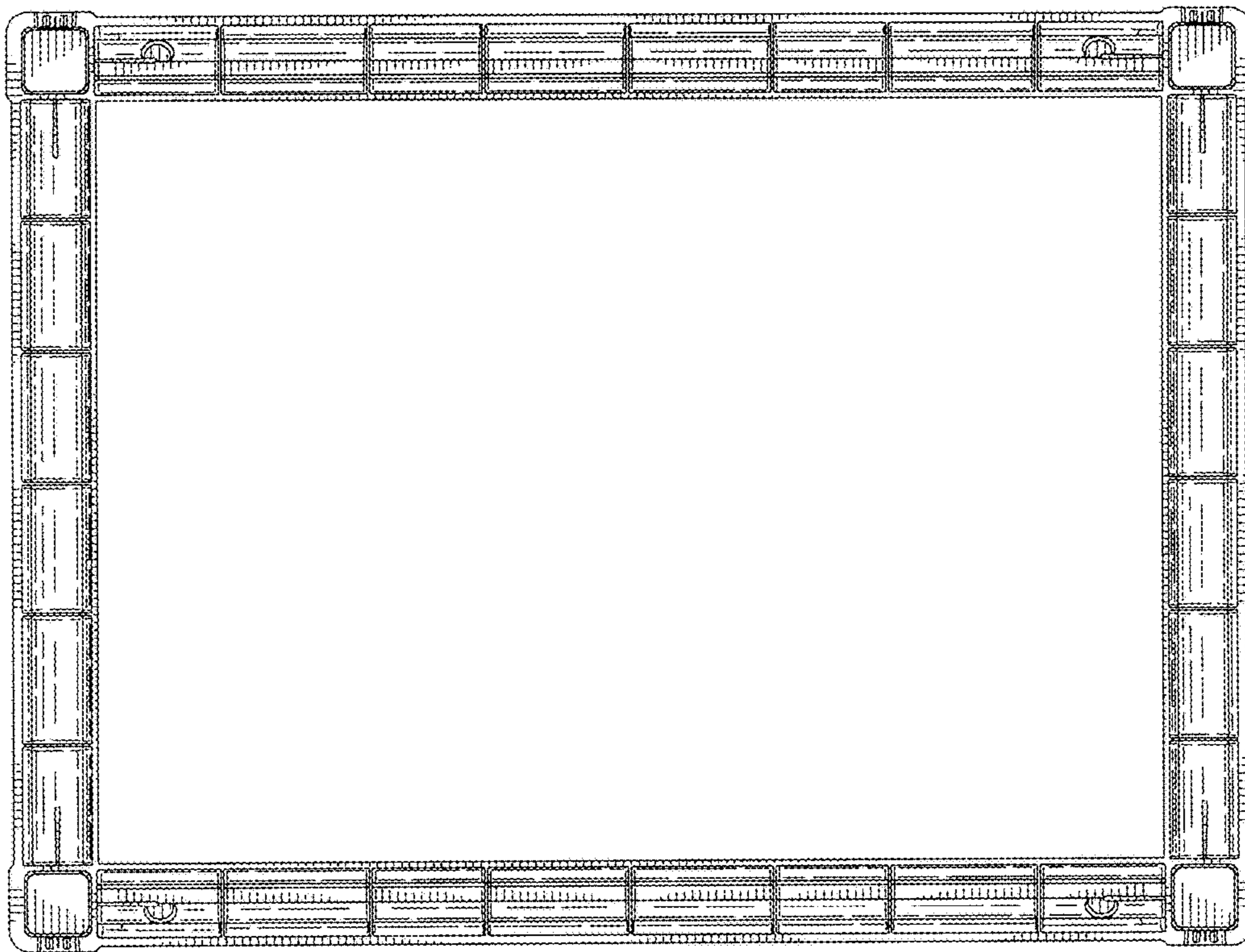


FIG. 7

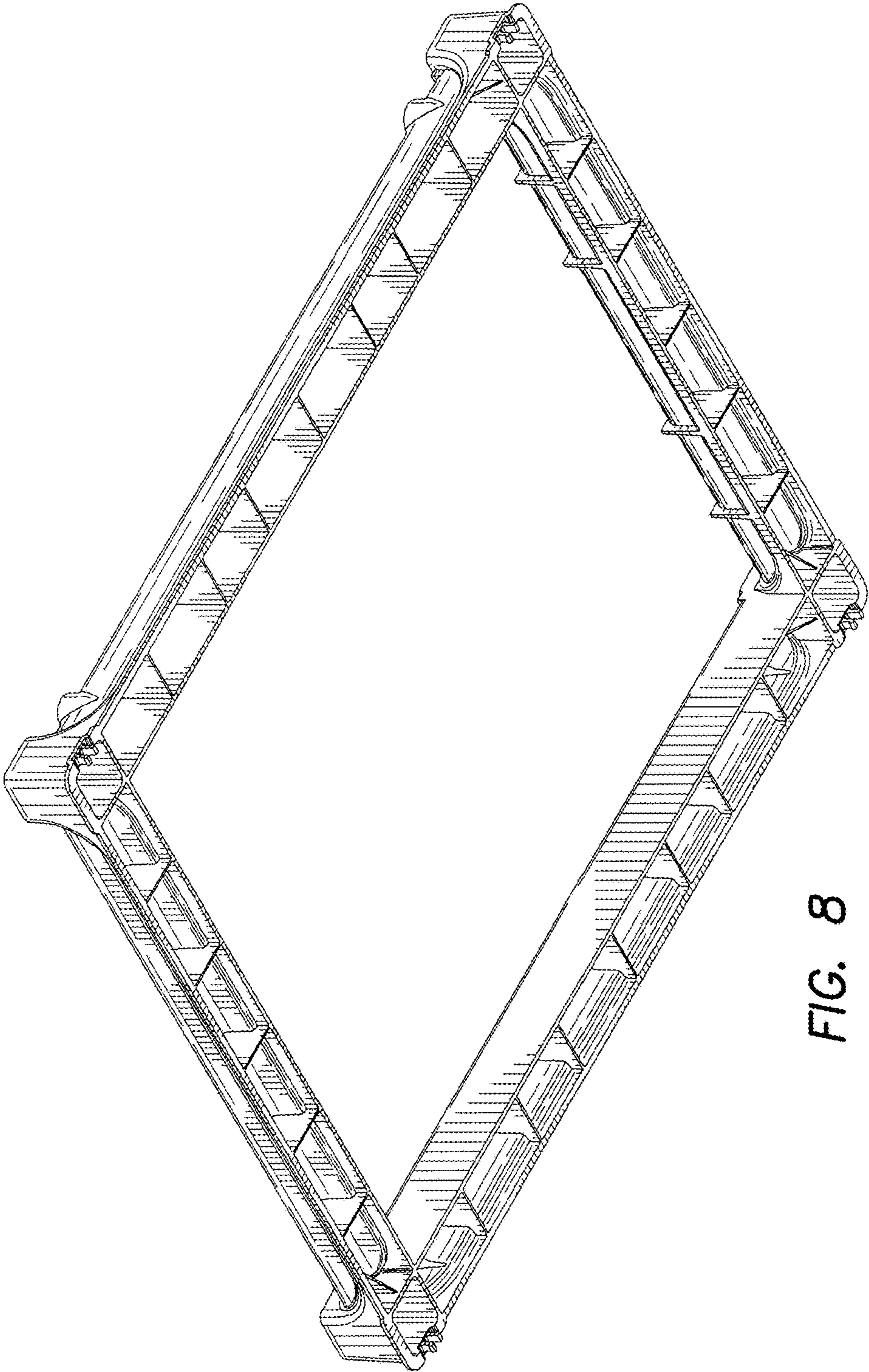


FIG. 8

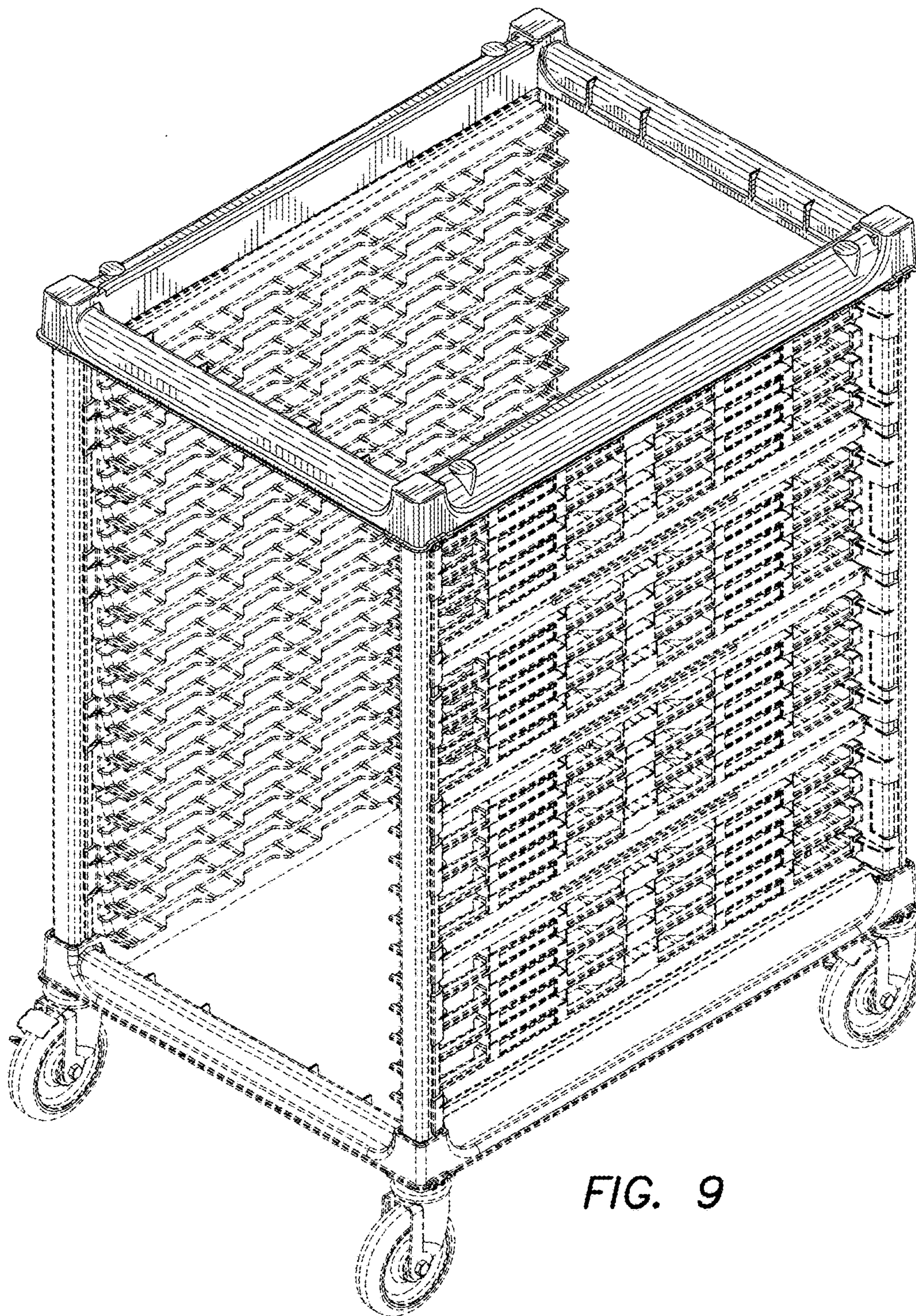


FIG. 9

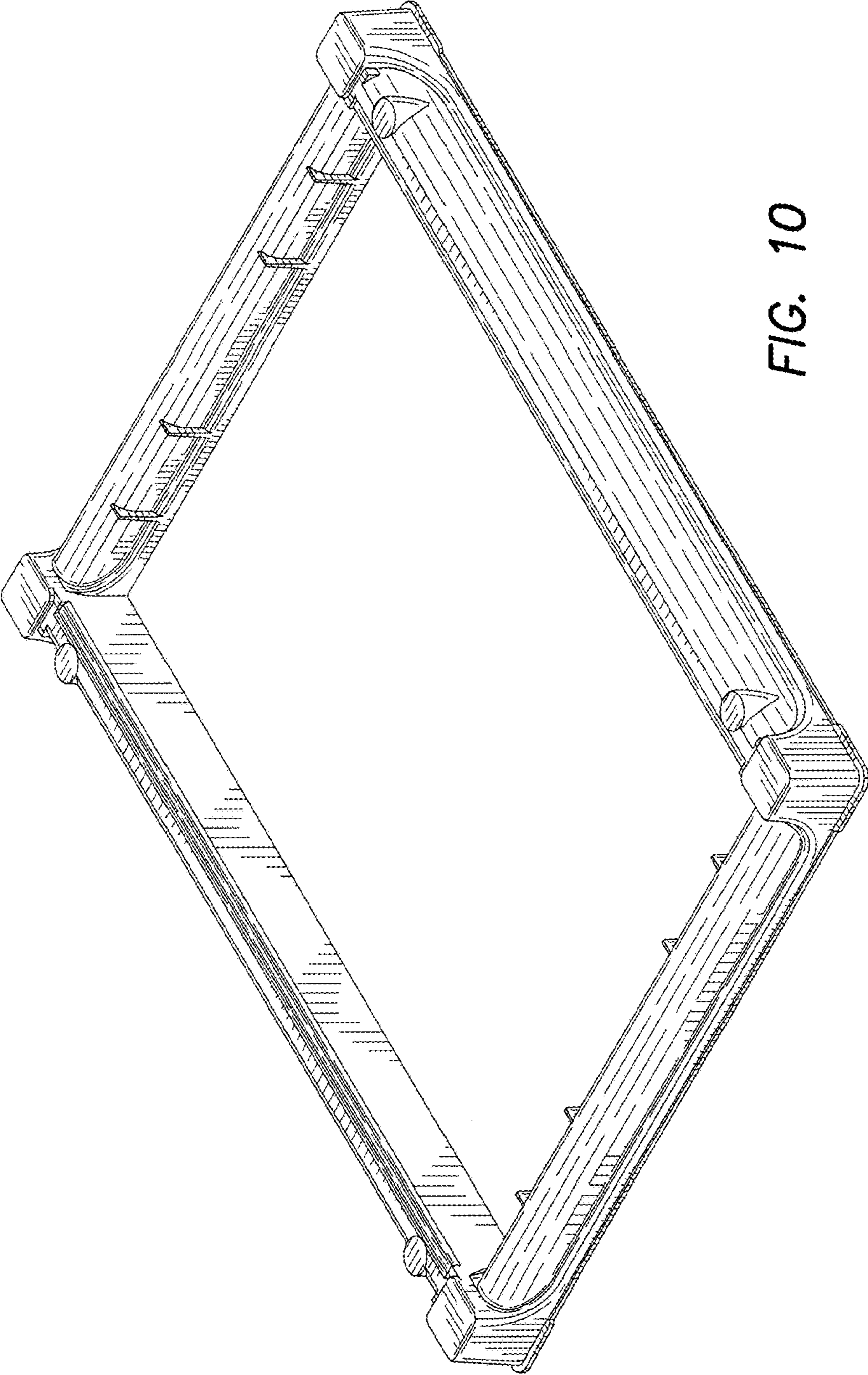


FIG. 10

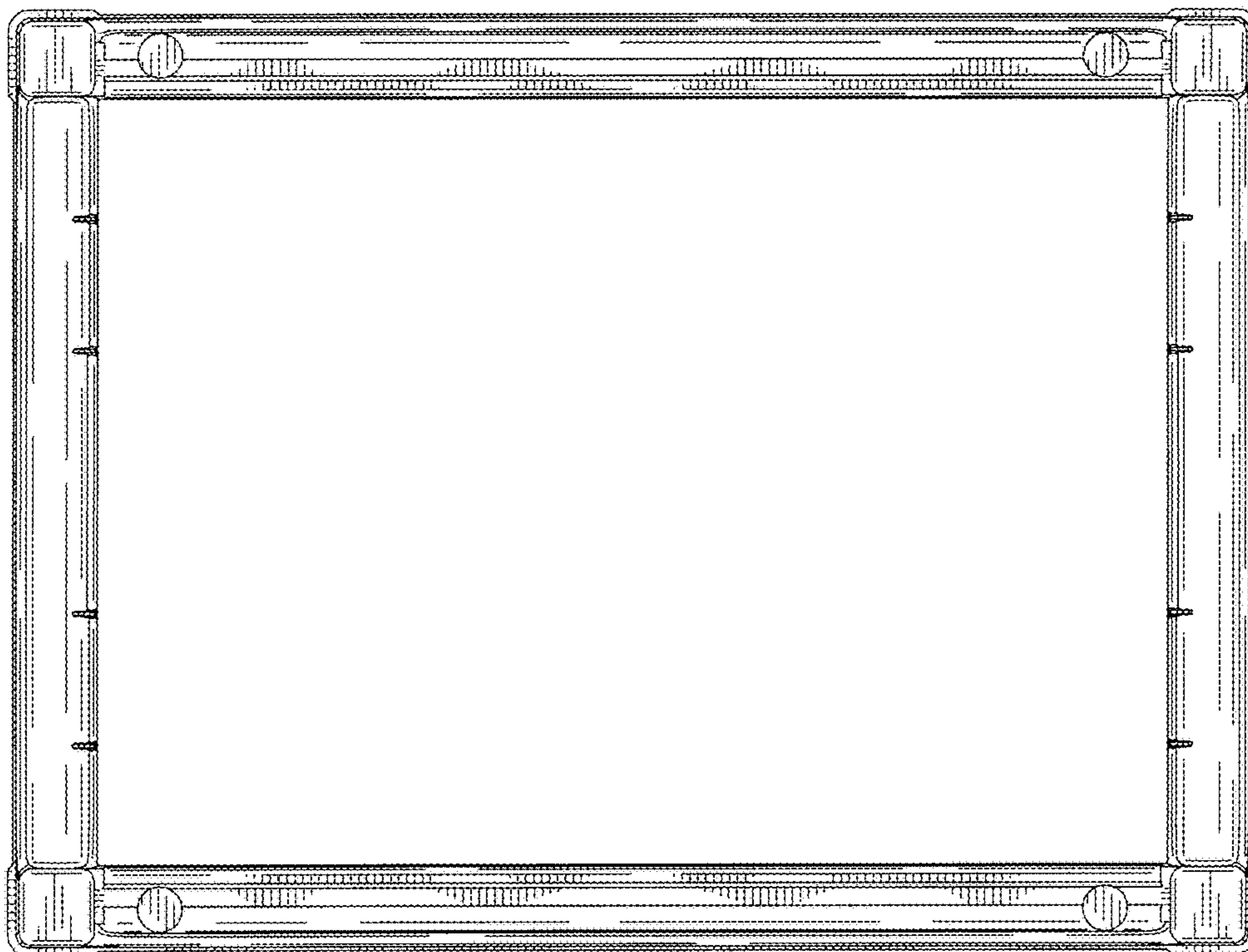


FIG. 11

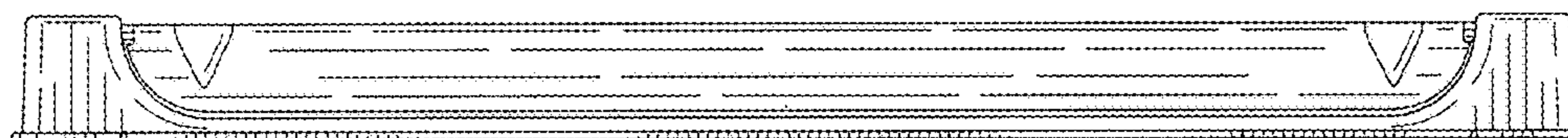


FIG. 12

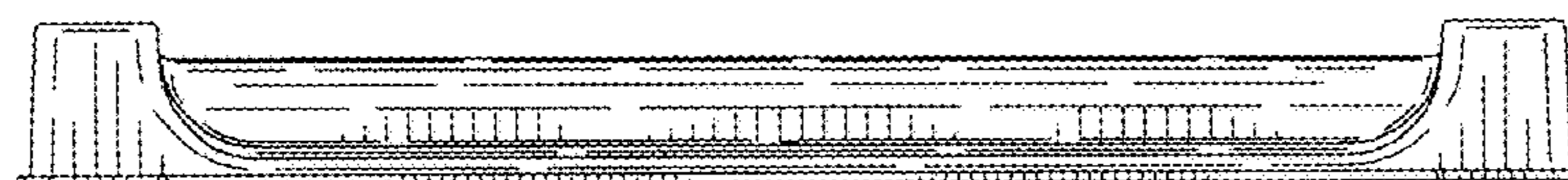


FIG. 13

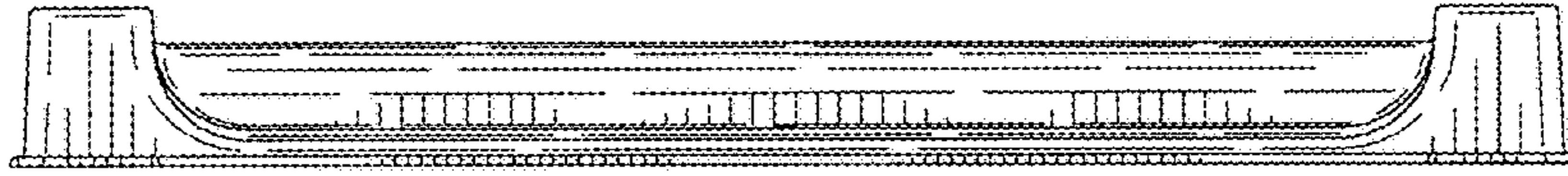


FIG. 14

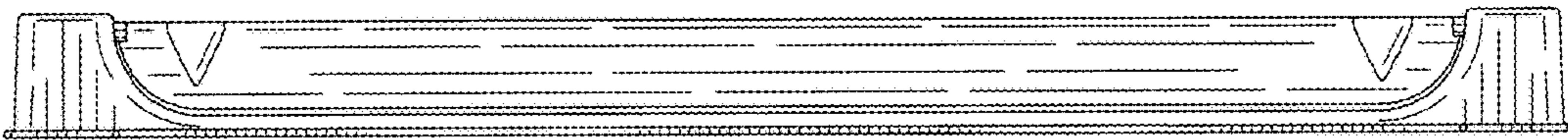


FIG. 15

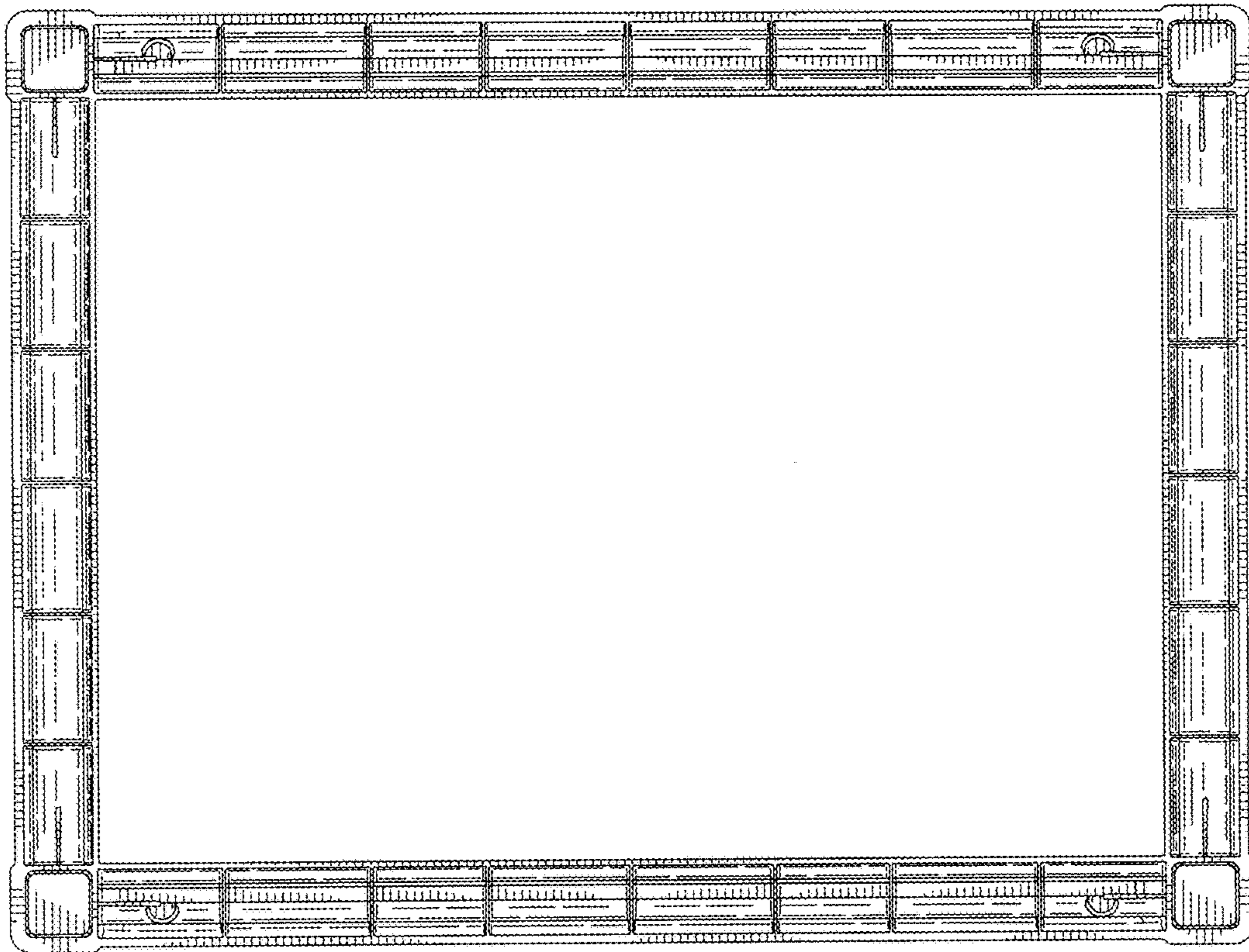


FIG. 16

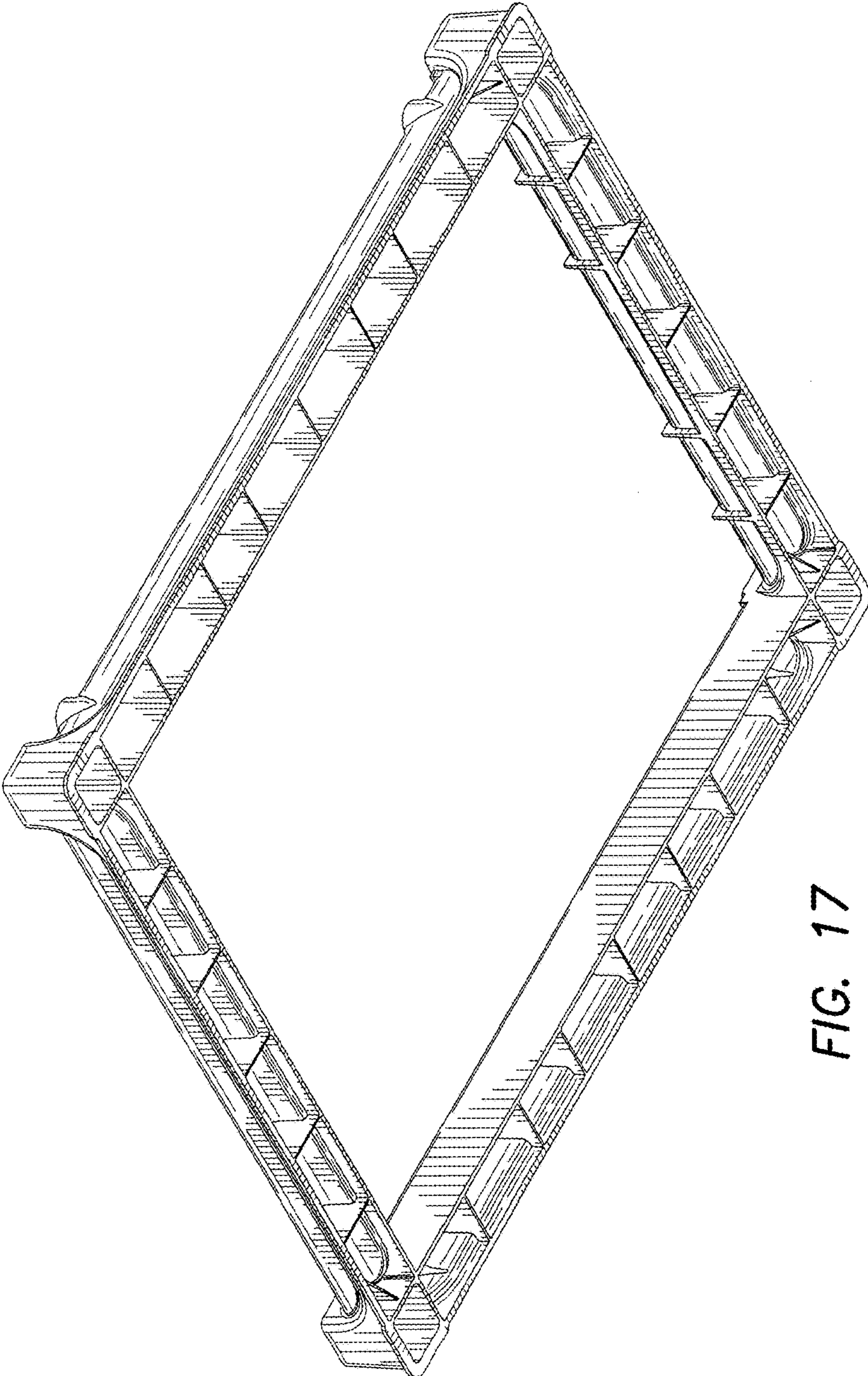


FIG. 17

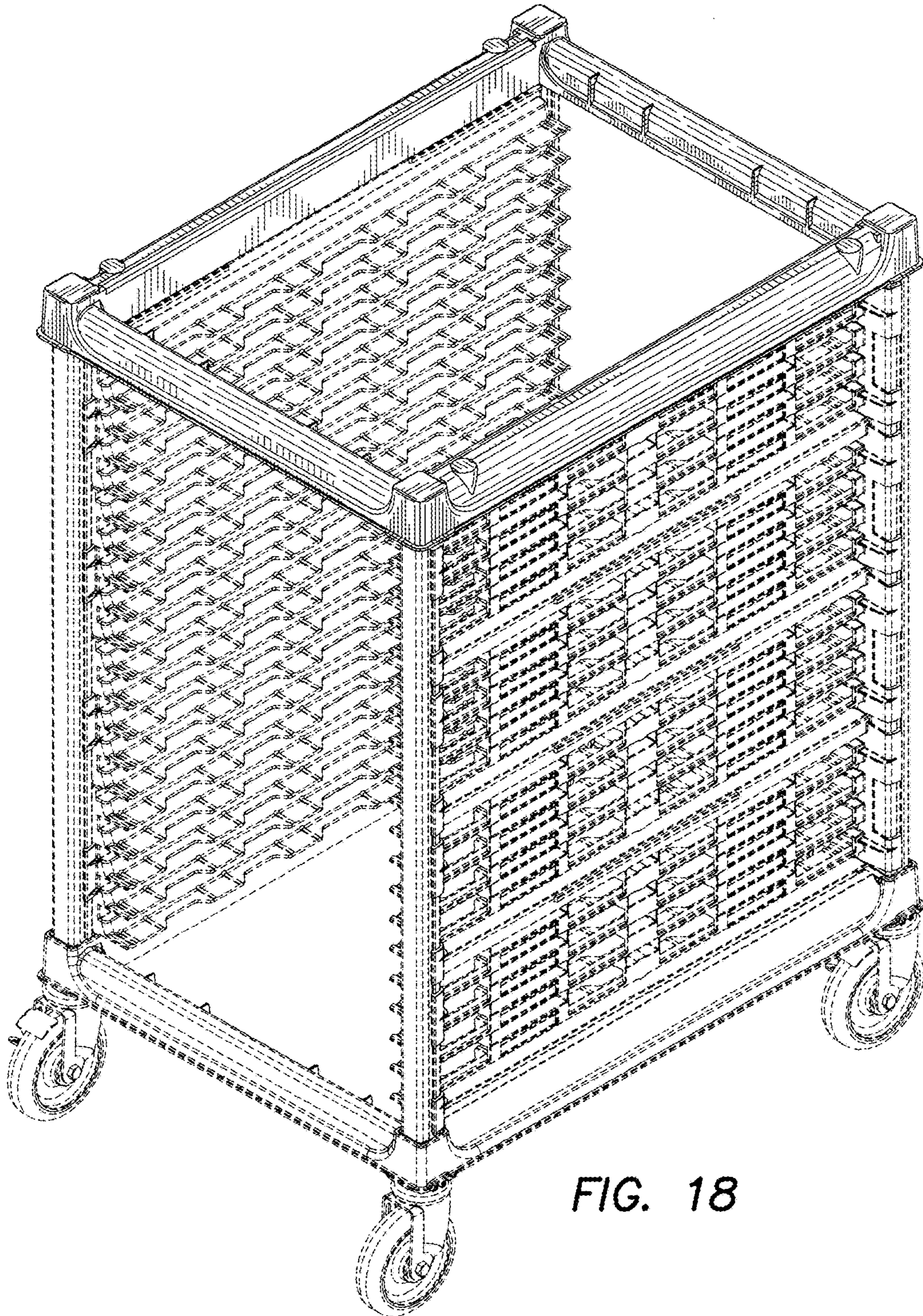


FIG. 18