

US00D860573S

(12) **United States Design Patent**
Matsuda

(10) **Patent No.: US D860,573 S**

(45) **Date of Patent: ** *Sep. 17, 2019**

(54) **WELDING CART**

(71) Applicant: **KKU, INC.**, Tokyo (JP)

(72) Inventor: **Haruhiro Matsuda**, Hiratsuka (JP)

(73) Assignee: **KKU, INC.**, Tokyo (JP)

(*) Notice: This patent is subject to a terminal disclaimer.

(**) Term: **15 Years**

(21) Appl. No.: **29/590,237**

(22) Filed: **Jan. 9, 2017**

Related U.S. Application Data

(62) Division of application No. 29/520,684, filed on Mar. 17, 2015, now Pat. No. Des. 780,396.

(51) **LOC (12) Cl.** **12-02**

(52) **U.S. Cl.**

USPC **D34/17**

(58) **Field of Classification Search**

USPC D34/12-27; 280/47.35, 79.3; 211/85.18; 206/446

CPC .. B62B 3/02; B62B 3/10; B62B 3/006; B62B 3/002

See application file for complete search history.

(56) **References Cited**

U.S. PATENT DOCUMENTS

D142,525 S * 10/1945 Myers 312/278

D145,897 S * 11/1946 Hathaway 126/25 R

D147,979 S * 11/1947 Jones 211/135

D212,747 S * 11/1968 Price D24/234

D217,714 S * 6/1970 Solsgiver D34/21

D234,078 S * 1/1975 Emanuele D34/20

5,176,265 A * 1/1993 Bennett A47F 7/28
108/55.5

D350,758 S * 9/1994 McLaughlin D15/199

D423,817 S * 5/2000 Holcomb D34/21

D636,815 S * 4/2011 Prather D19/59

D665,397 S * 8/2012 Naranjo D14/486

D671,703 S * 11/2012 Guasta D34/19

D780,396 S * 2/2017 Matsuda D34/17

* cited by examiner

Primary Examiner — Cynthia Ramirez

(74) *Attorney, Agent, or Firm* — J. Bennett Mullinax, LLC

(57) **CLAIM**

The ornamental design for a welding cart, as shown and described.

DESCRIPTION

FIG. 1 is a front top perspective view of a welding cart showing our new design;

FIG. 2 is another front top perspective view thereof;

FIG. 3 is a right side elevational view thereof;

FIG. 4 is a left side elevational view thereof;

FIG. 5 is a top plan view thereof;

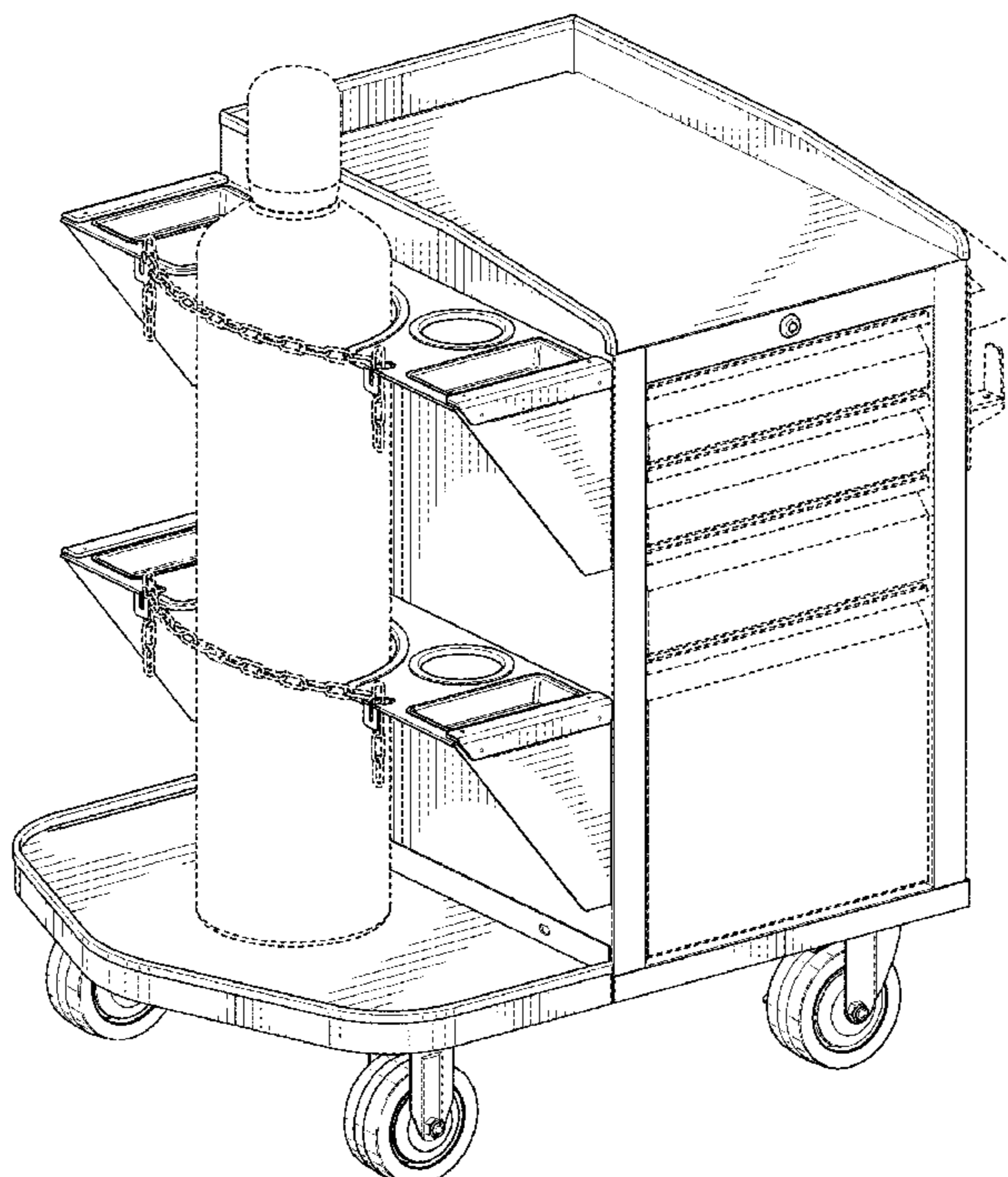
FIG. 6 is a bottom plan view thereof;

FIG. 7 is a front elevational view thereof; and,

FIG. 8 is a rear elevational view thereof.

The broken lines shown in the figures are included for the purpose of illustrating environment and form no part of the claimed design.

1 Claim, 8 Drawing Sheets



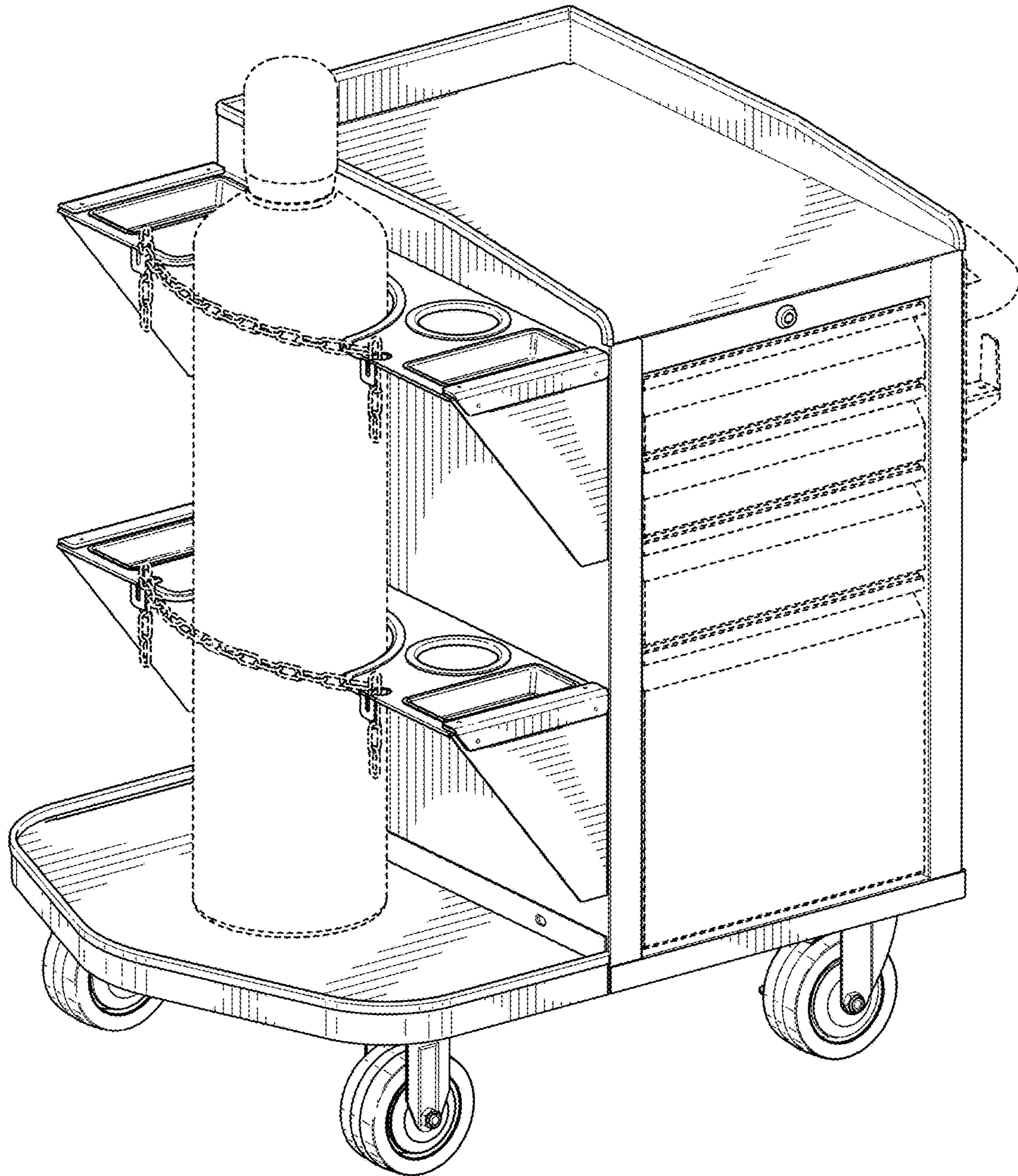


FIG. 1

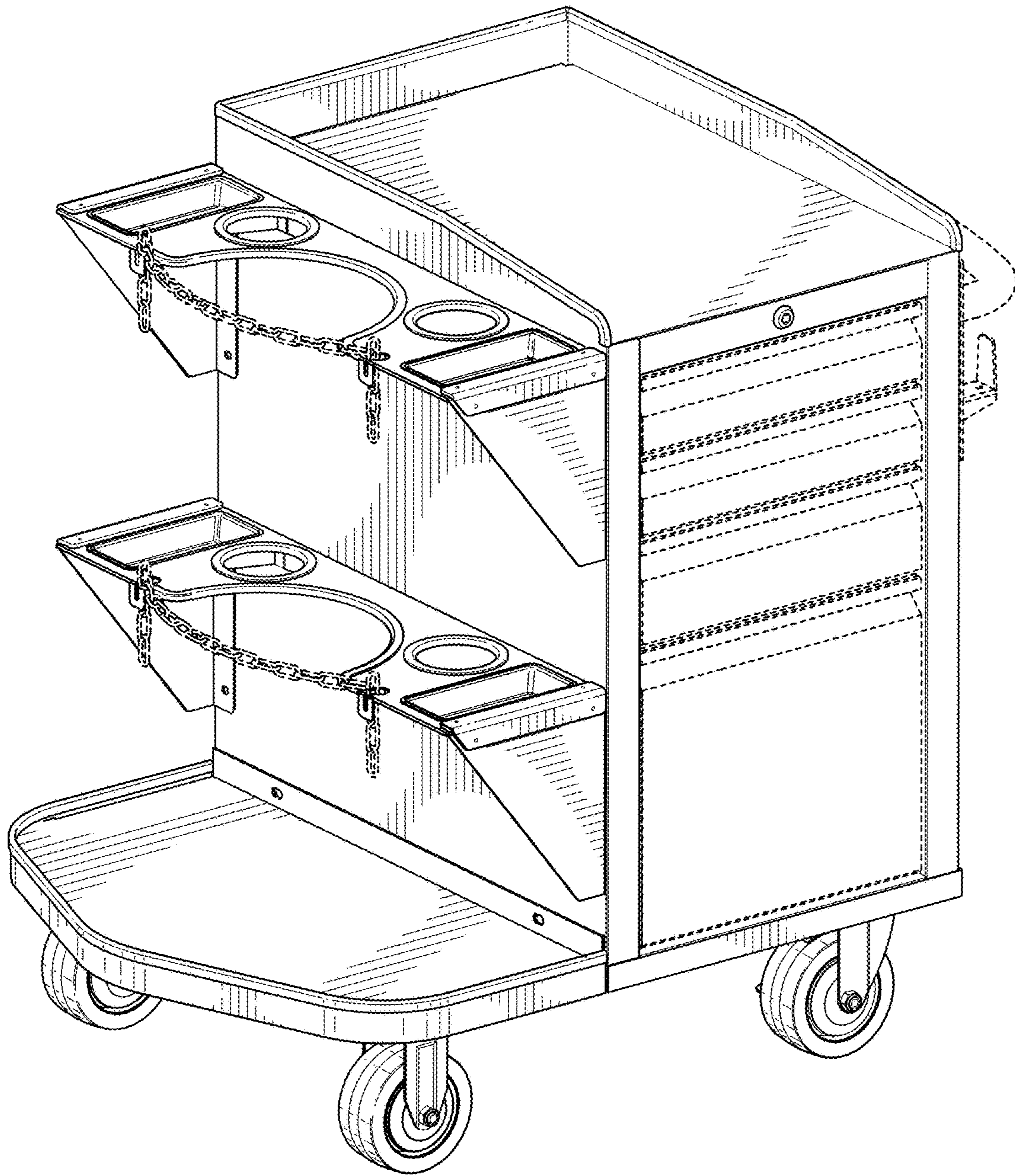


FIG. 2

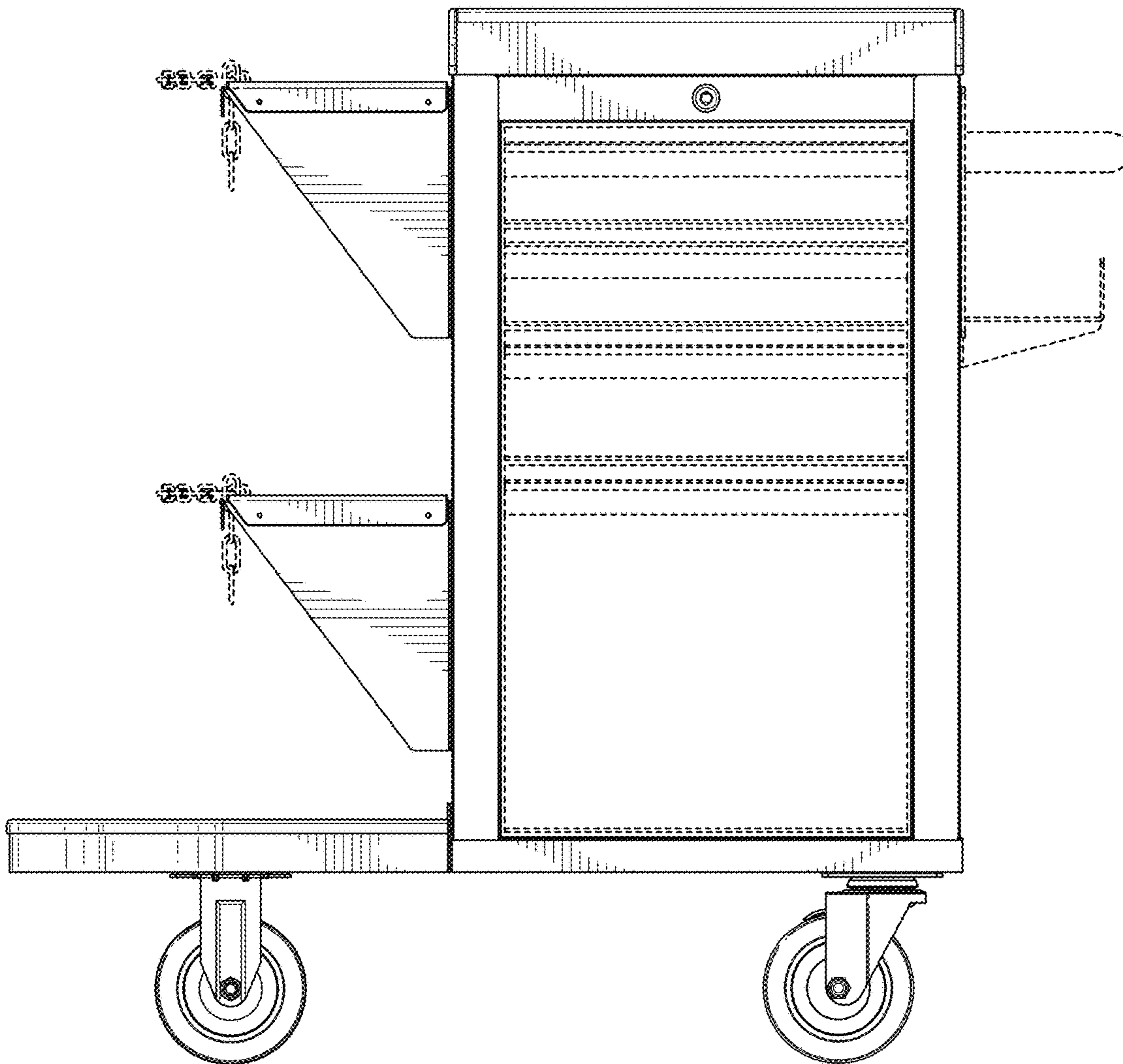


FIG. 3

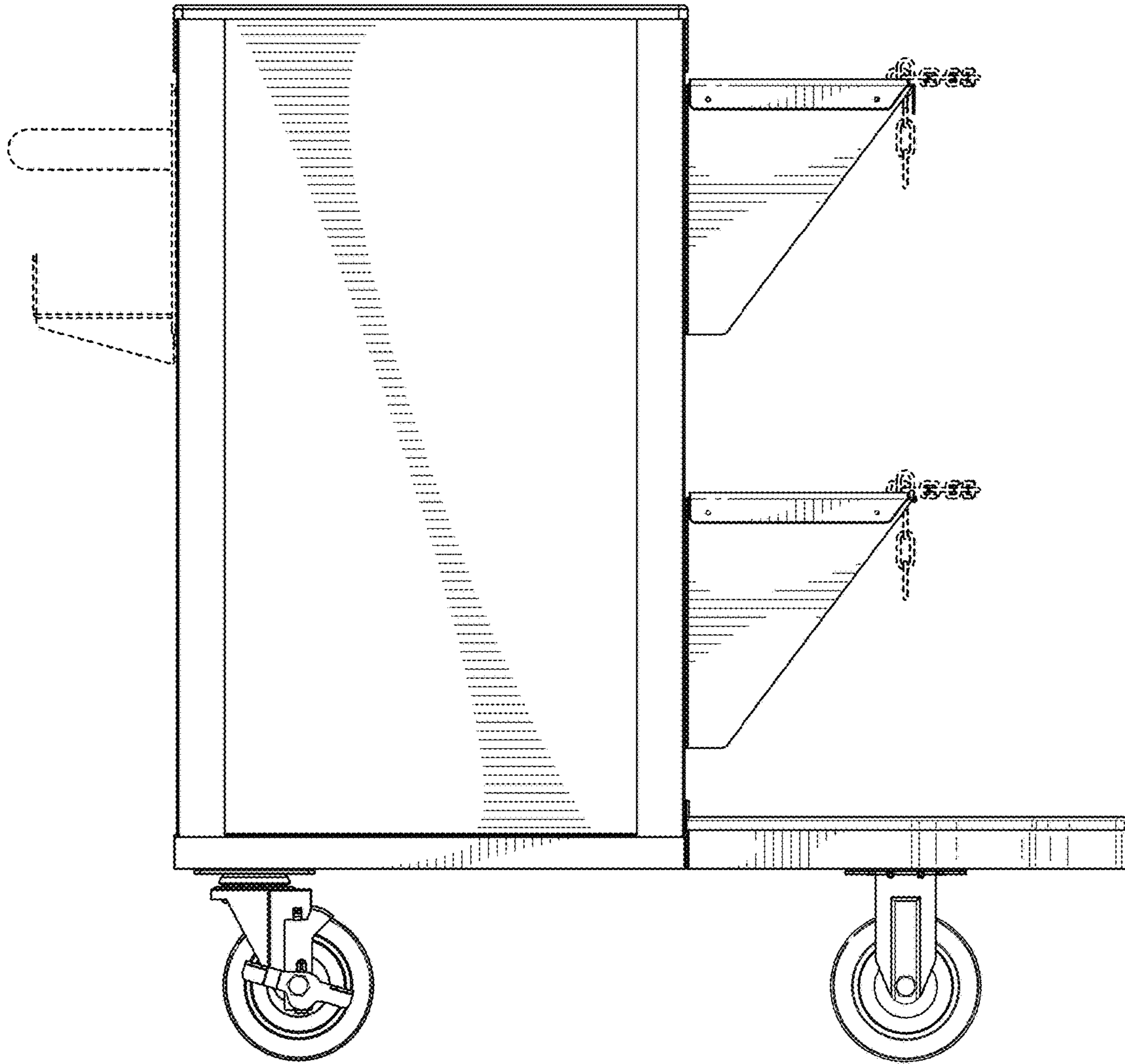


FIG. 4

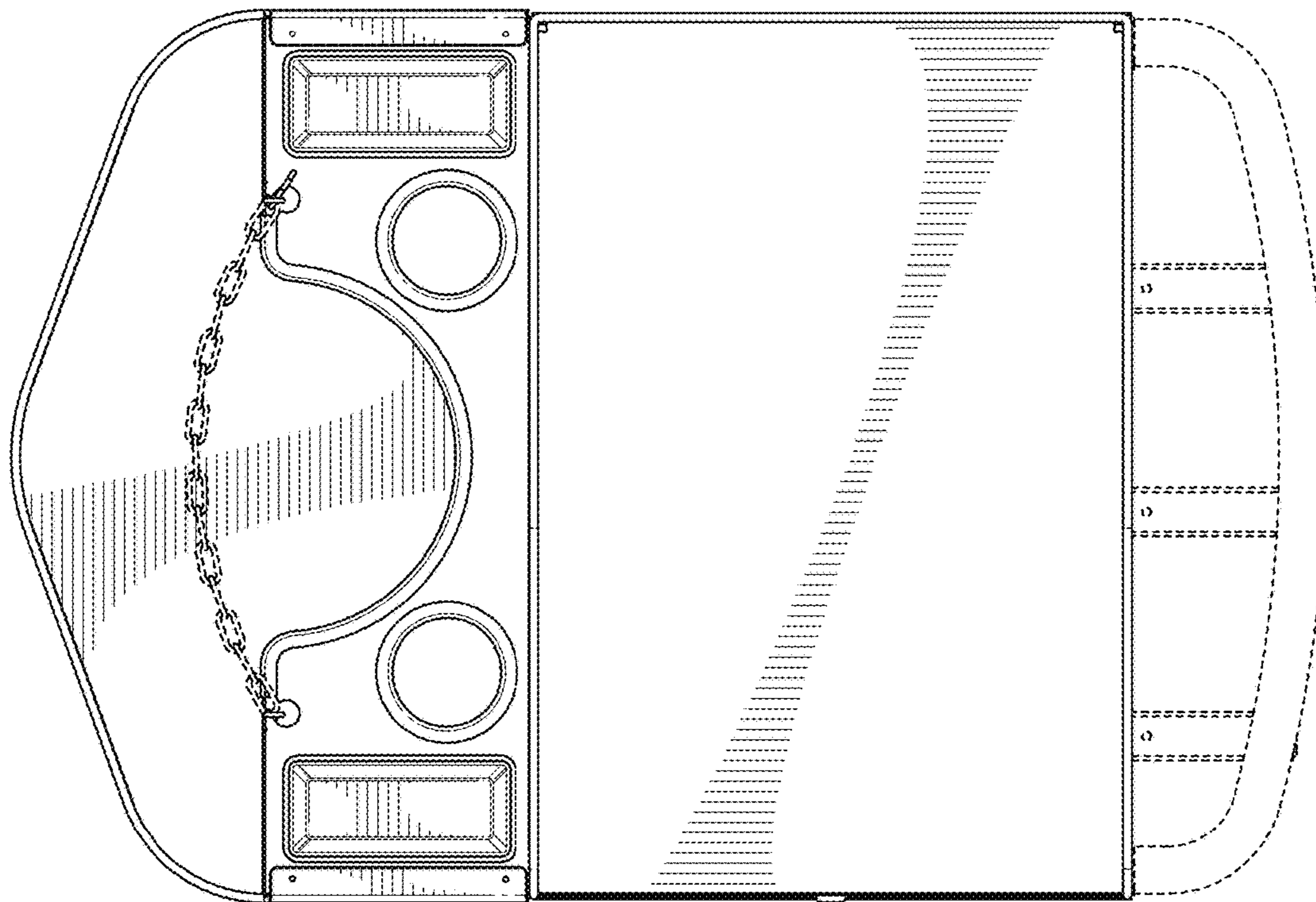


FIG. 5

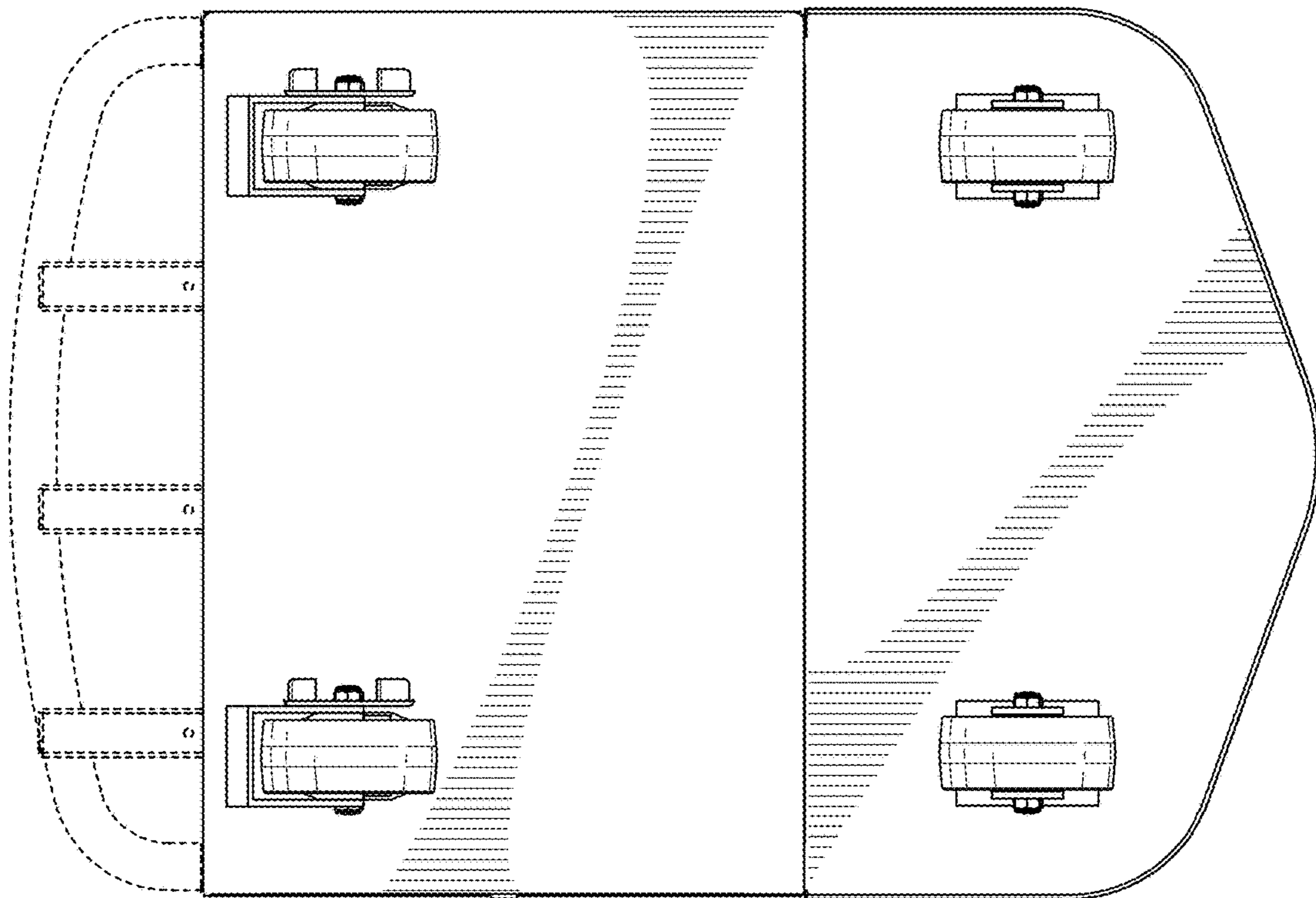


FIG. 6

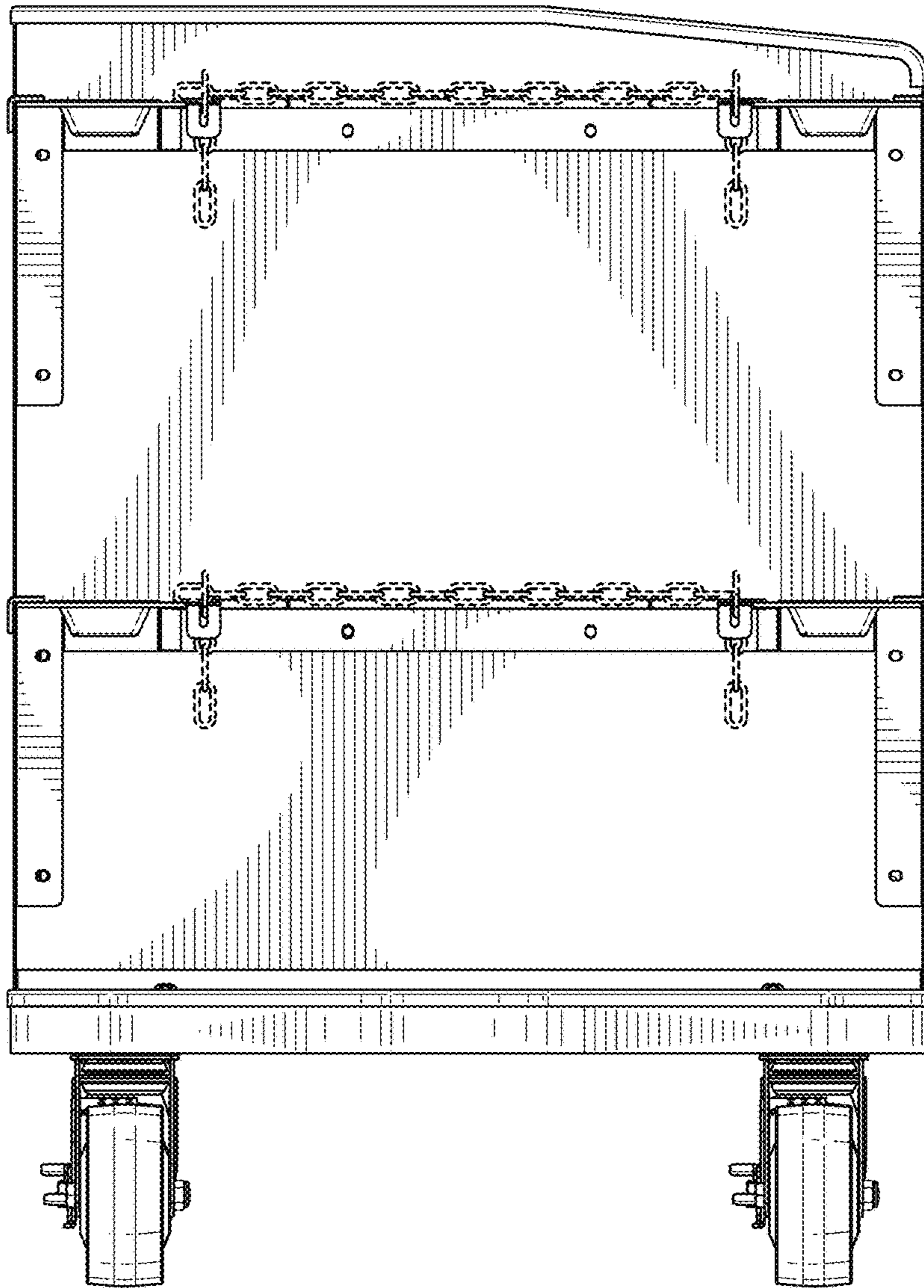


FIG. 7

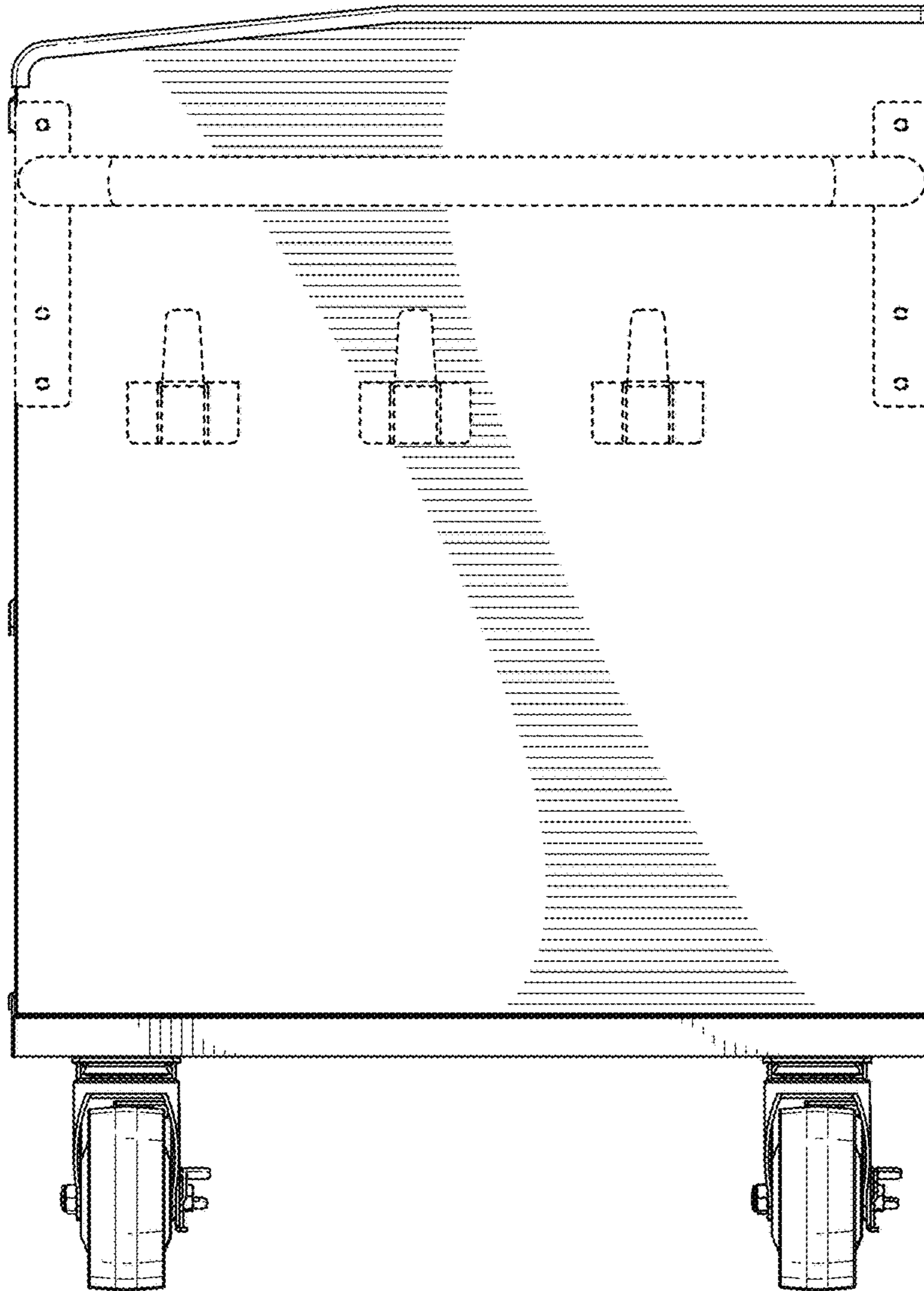


FIG. 8