



US00D860570S

(12) **United States Design Patent** (10) **Patent No.:** **US D860,570 S**  
**Chen** (45) **Date of Patent:** **\*\* Sep. 17, 2019**

(54) **SENSOR BIN** 8,074,824 B1 \* 12/2011 Roby-Wilson ..... B65F 1/068  
220/495.08  
(71) Applicant: **EKO DEVELOPMENT LTD.,** D657,108 S 4/2012 Yang et al.  
Guangzhou (CN) D657,109 S 4/2012 Liao  
D675,802 S \* 2/2013 Yang ..... D34/7  
(72) Inventor: **Yizhi Chen,** Guangzhou (CN) 8,820,566 B2 9/2014 Ude  
D719,313 S 12/2014 Kao  
D720,513 S 12/2014 Yang et al.  
(73) Assignee: **EKO Development Limited,** D725,861 S 3/2015 Yang et al.  
Guangzhou (CN) D730,008 S 5/2015 Yang et al.  
D754,413 S 4/2016 Wall  
(\*\*) Term: **15 Years** (Continued)

(21) Appl. No.: **29/645,923**  
(22) Filed: **Apr. 30, 2018**  
(51) **LOC (12) Cl.** ..... **09-09**  
(52) **U.S. Cl.**  
USPC ..... **D34/7**  
(58) **Field of Classification Search**  
USPC ..... D34/1, 6, 7, 11  
CPC ..... Y10S 220/908; B65F 1/00; B65F 1/002;  
B65F 1/1426; B65F 1/1638; B65F  
2001/1653  
See application file for complete search history.

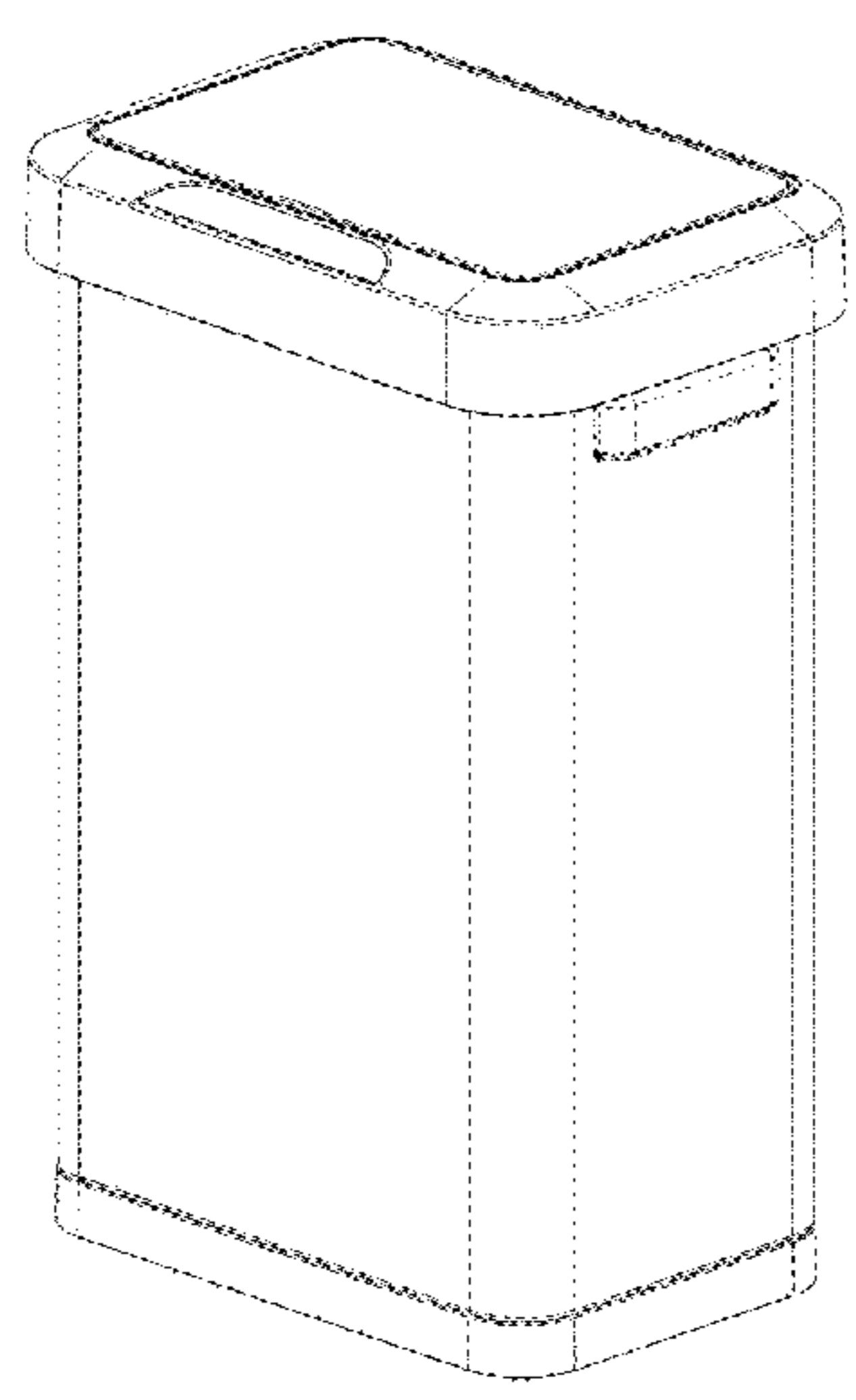
(56) **References Cited**  
U.S. PATENT DOCUMENTS  
D246,090 S 10/1977 Gault  
D335,562 S 5/1993 Evans  
5,242,074 A 9/1993 Conaway et al.  
D343,709 S 1/1994 Doty et al.  
D380,613 S \* 7/1997 Apps ..... D3/307  
6,345,725 B1 2/2002 Lin  
D472,357 S 3/2003 Stewart  
D482,169 S 11/2003 Lin  
D527,155 S 8/2006 Fankhauser  
D552,321 S 10/2007 Yang et al.  
D571,520 S 6/2008 Lin  
D627,533 S 11/2010 Yang et al.  
D634,911 S \* 3/2011 Yang ..... D34/7  
D644,390 S \* 8/2011 Smeets ..... D34/7  
D644,806 S 9/2011 Yang et al.

**OTHER PUBLICATIONS**  
Belson Outdoors "Durable Two-Piece Fiberglass Trash Receptacle",  
<http://www.belson.com/Open-Top-Lift-Off-20-Gallon-Round-Fiberglass-Trash-Can>. Jun. 6, 2017. shown in p. 1, Model FG1829  
TPL.  
(Continued)  
*Primary Examiner* — Antoine Duval Davis  
(74) *Attorney, Agent, or Firm* — William Dippert;  
Laurence Greenberg; Werner Stemer

(57) **CLAIM**  
The ornamental design for a sensor bin, as shown and described.

**DESCRIPTION**  
FIG. 1 is a perspective view of a sensor bin, showing my new design.  
FIG. 2 is a top plan view thereof.  
FIG. 3 is a rear elevation view thereof.  
FIG. 4 is a left-side elevation view thereof.  
FIG. 5 is a front elevation view thereof.  
FIG. 6 is a bottom plan view thereof; and,  
FIG. 7 is a right-side elevation view thereof.  
The broken lines in the drawings represent portions of the sensor bin that are for illustrative purposes only and do not form a part of the claimed design.

**1 Claim, 4 Drawing Sheets**



(56)

**References Cited**

U.S. PATENT DOCUMENTS

|                   |         |             |                        |
|-------------------|---------|-------------|------------------------|
| D759,934 S        | 6/2016  | Yang et al. |                        |
| D771,344 S        | 11/2016 | Yang et al. |                        |
| D773,145 S        | 11/2016 | Yang et al. |                        |
| D793,022 S *      | 7/2017  | Liao .....  | D34/7                  |
| D793,642 S        | 8/2017  | Yang et al. |                        |
| D796,767 S *      | 9/2017  | Chen .....  | D34/9                  |
| D798,016 S        | 9/2017  | Yang et al. |                        |
| 2011/0220648 A1 * | 9/2011  | Yang .....  | B65F 1/1638<br>220/211 |

OTHER PUBLICATIONS

Amazon "Simplehuman Bullet Open Trash Can", [https://www.amazon.com/simplehuman-Bullet-Trash-Commercial-Stainless/dp/B000BHUHP0/ref=cm\\_cr\\_arp\\_d\\_product\\_top?ie=UTF8](https://www.amazon.com/simplehuman-Bullet-Trash-Commercial-Stainless/dp/B000BHUHP0/ref=cm_cr_arp_d_product_top?ie=UTF8). Apr. 17, 2008. shown in p. 1, Model No. CW1407.

Morphy Richards Sensor Bin—<https://www.youtube.com/watch?v=leiDOjLffoQ>.

Simplehuman Brushed Stainless Steel Rectangular Automatic Sensor Kitchen Bin—<https://www.youtube.com/watch?v+jRNBka5MY1g>.

Motion Sensor bin—<https://www.youtube.com/watch?v=vDvZwIddYCs>.

Unboxing Diih 50L Black Rectangle Sensor Bin—<https://www.youtube.com/watch?v=v1fL-f2hMY8>.

Simplehuman Voice & Motion Control Sensor Bin—[https://www.youtube.com/watch?v=M\\_Q7sNSw5LE](https://www.youtube.com/watch?v=M_Q7sNSw5LE).

Automatic Rectangular Sensor Bin (Large)—<https://www.youtube.com/watch?v=157FFjk780c>.

\* cited by examiner

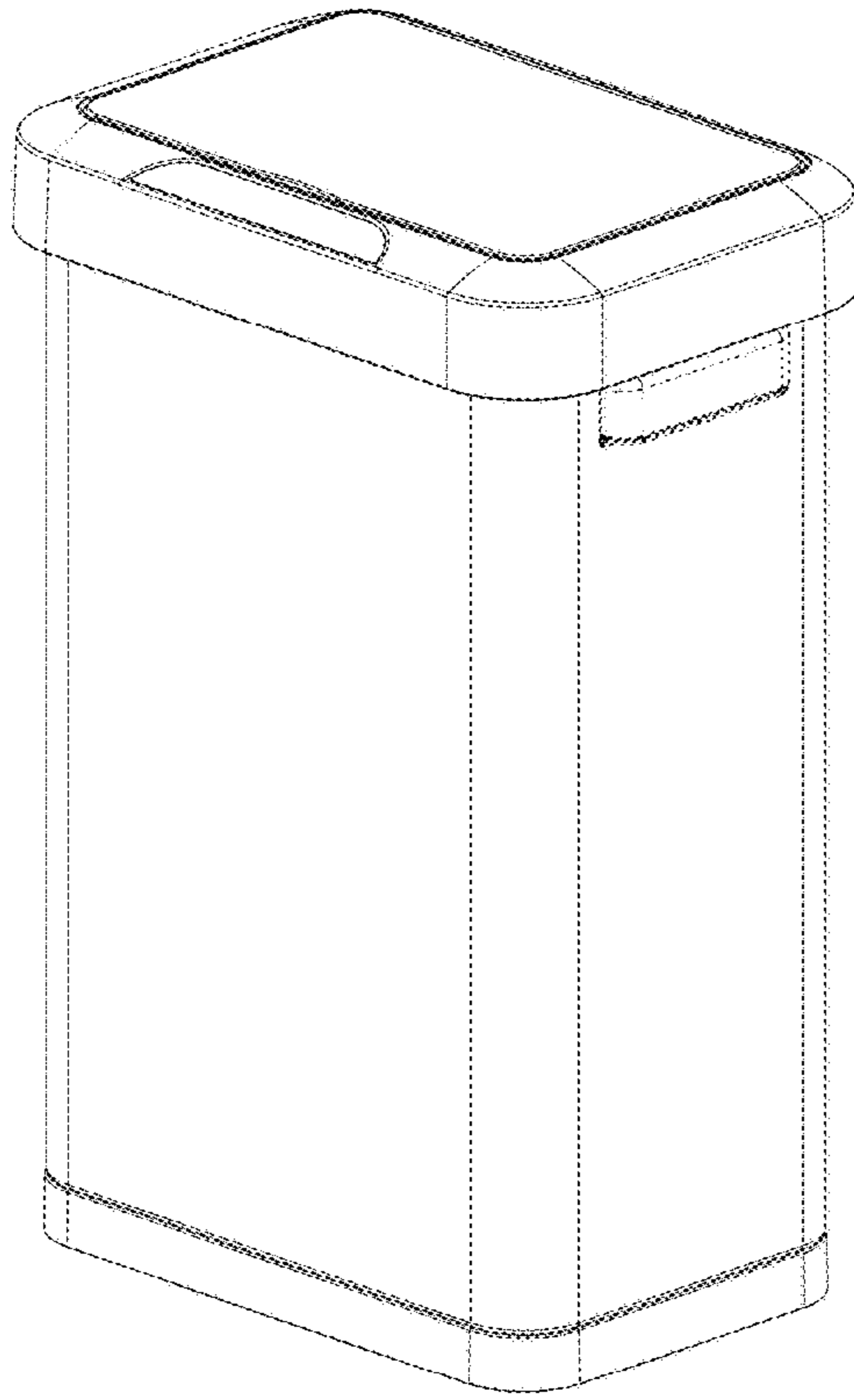


FIG.1

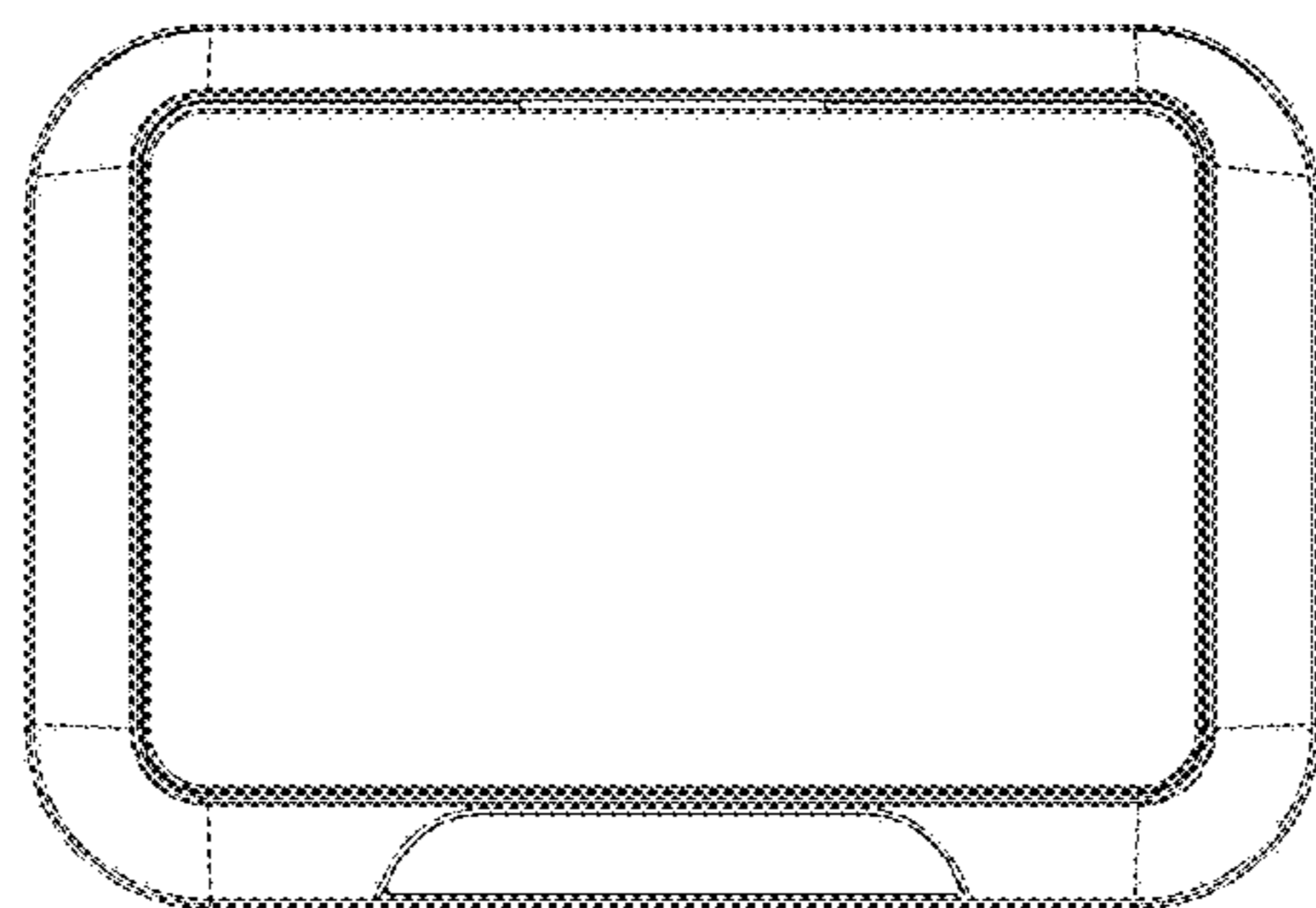


FIG.2

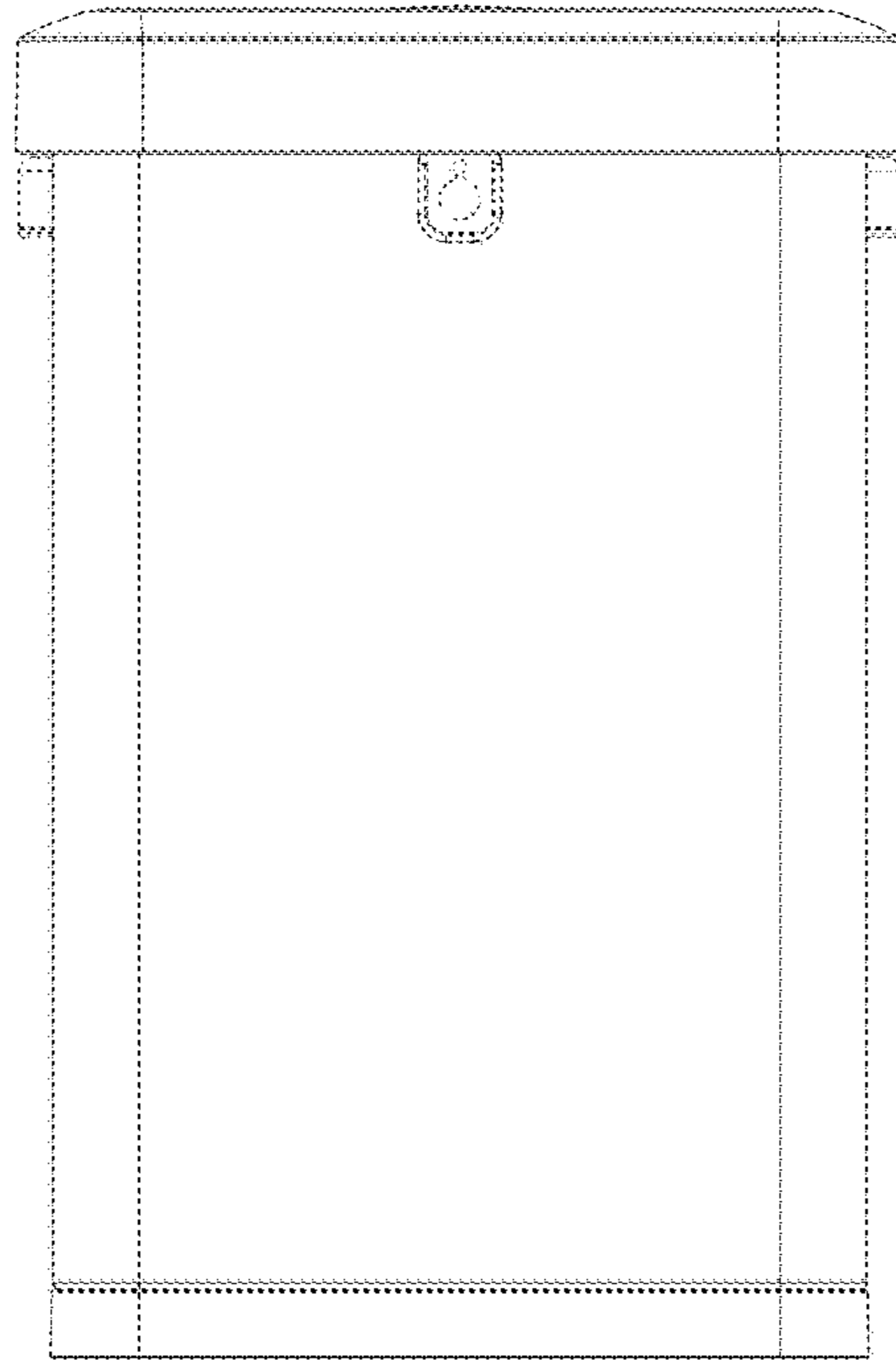


FIG.3

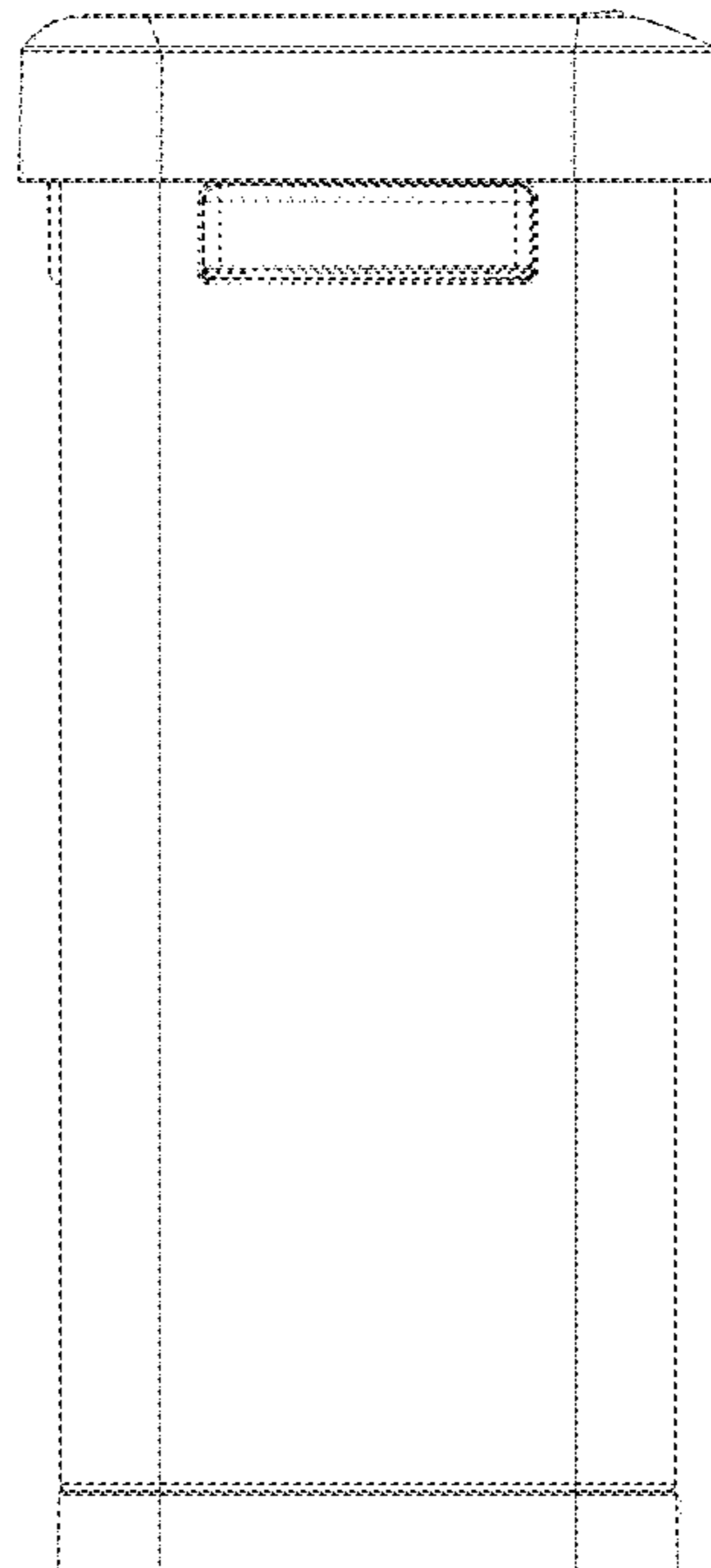


FIG.4

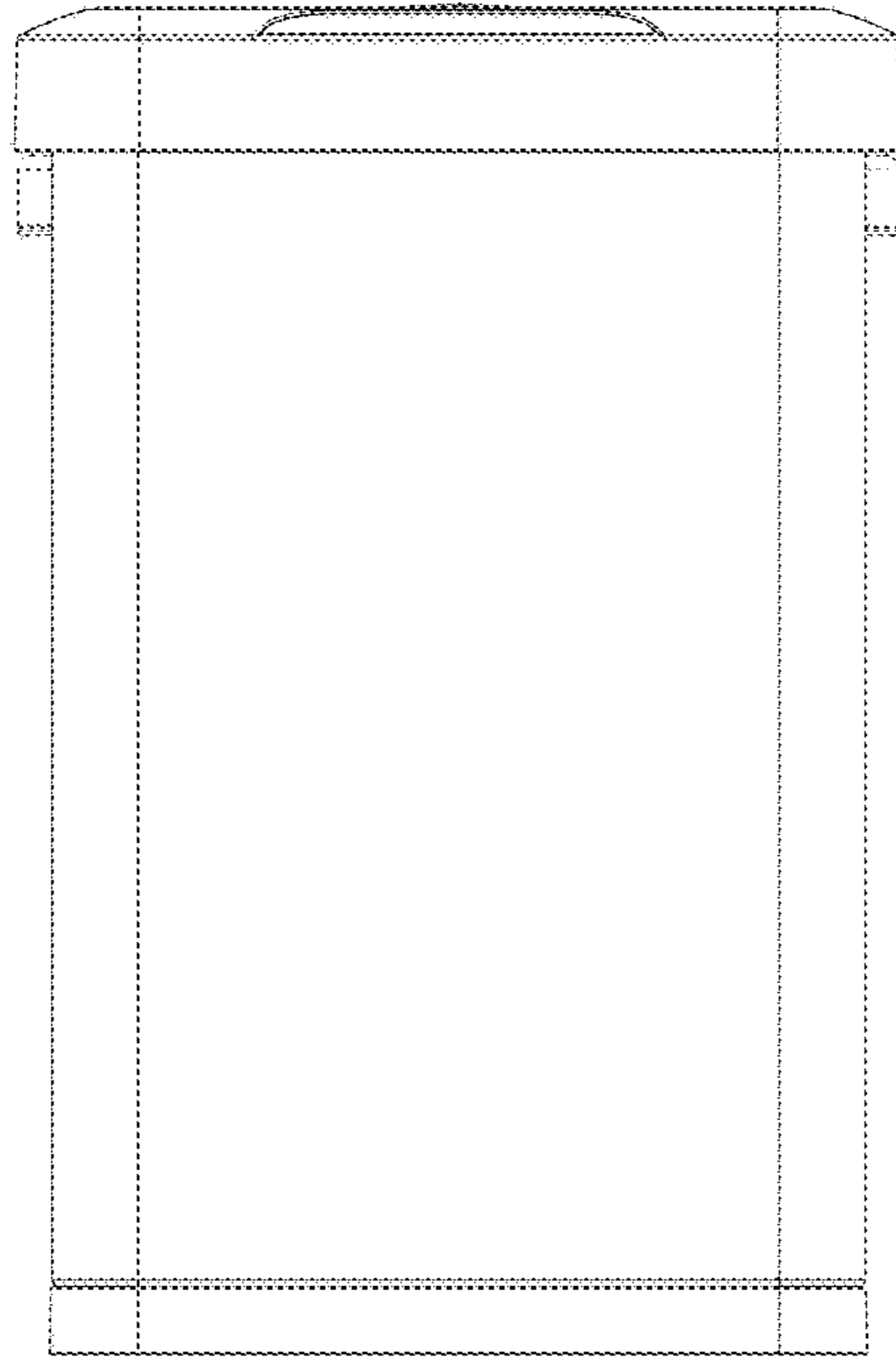


FIG. 5



FIG. 6

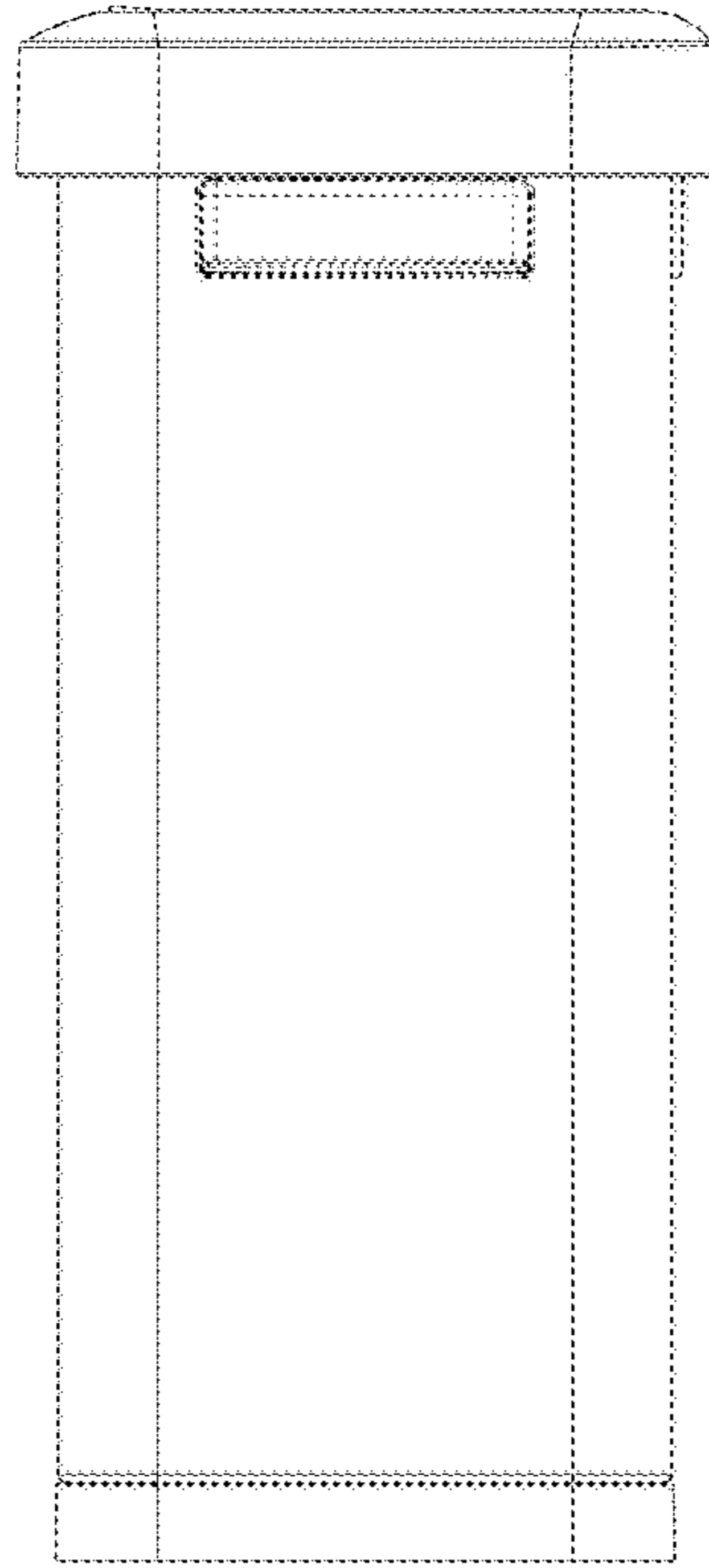


FIG. 7