



US00D860569S

(12) **United States Design Patent**  
**Lin et al.**

(10) **Patent No.:** **US D860,569 S**  
(45) **Date of Patent:** **\*\* Sep. 17, 2019**

(54) **ELECTRONIC SENSOR TRASH CAN**  
(71) Applicant: **Fujian Nashida Electronic, Inc.**,  
Fuzhou (CN)  
(72) Inventors: **Cuiwen Lin**, Fuzhou (CN); **Jiangqun Chen**,  
Fuzhou (CN); **Xiujin Yang**, Fuzhou (CN); **Huiyang Zheng**,  
Fuzhou (CN)

(73) Assignee: **Fujian Nashida Electronic Inc.**,  
Fuzhou, Fujian (CN)

(\*\*) Term: **15 Years**

(21) Appl. No.: **29/606,152**

(22) Filed: **Jun. 1, 2017**

(51) **LOC (12) Cl.** ..... **09-09**

(52) **U.S. Cl.**  
USPC ..... **D34/7**

(58) **Field of Classification Search**  
USPC ..... D34/1, 7, 8, 9, 10, 11  
CPC ..... B65F 1/06; B65F 1/067; B65F 1/1607;  
B65F 1/163; B65F 1/062; B65F 1/1623  
See application file for complete search history.

(56) **References Cited**

**U.S. PATENT DOCUMENTS**

D552,823 S \* 10/2007 Yang ..... D34/7  
D578,266 S \* 10/2008 Yang ..... D34/7

D578,268 S \* 10/2008 Yang ..... D34/9  
D580,120 S \* 11/2008 Lin ..... D34/7  
D580,613 S \* 11/2008 Yang ..... D34/7  
D580,615 S \* 11/2008 Yang ..... D34/9  
D793,642 S \* 8/2017 Yang ..... D34/7  
D809,729 S \* 2/2018 Chen ..... D34/7  
D830,659 S \* 10/2018 Greenspon ..... D34/9  
2018/0079592 A1 \* 3/2018 Wang ..... B65F 1/1638

\* cited by examiner

*Primary Examiner* — Cynthia Ramirez

(74) *Attorney, Agent, or Firm* — Raymond Y. Chan;  
David and Raymond Patent Firm

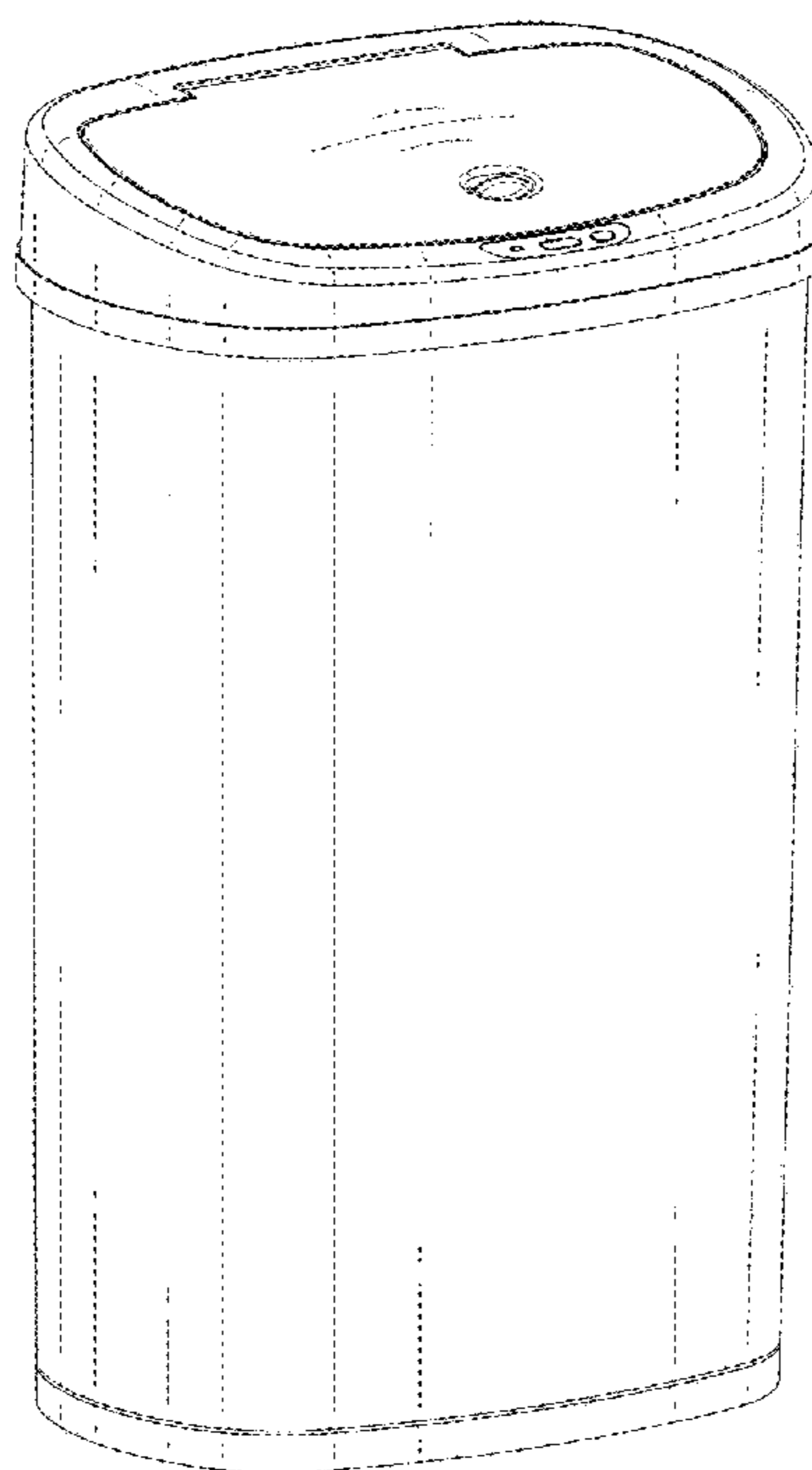
(57) **CLAIM**

The ornamental design for an electronic sensor trash can, as shown and described.

**DESCRIPTION**

FIG. 1 is a perspective view of the electronic sensor trash can showing our new design;  
FIG. 2 is a front view thereof;  
FIG. 3 is a rear view thereof;  
FIG. 4 is a left side view thereof;  
FIG. 5 is a right side view thereof;  
FIG. 6 is a top plan view thereof;  
FIG. 7 is a bottom plan view thereof; and,  
FIG. 8 is a perspective view in an open status thereof.  
The broken lines in the drawings represent unclaimed portions of the electronic sensor trash can which form not part of the claimed design.

**1 Claim, 8 Drawing Sheets**



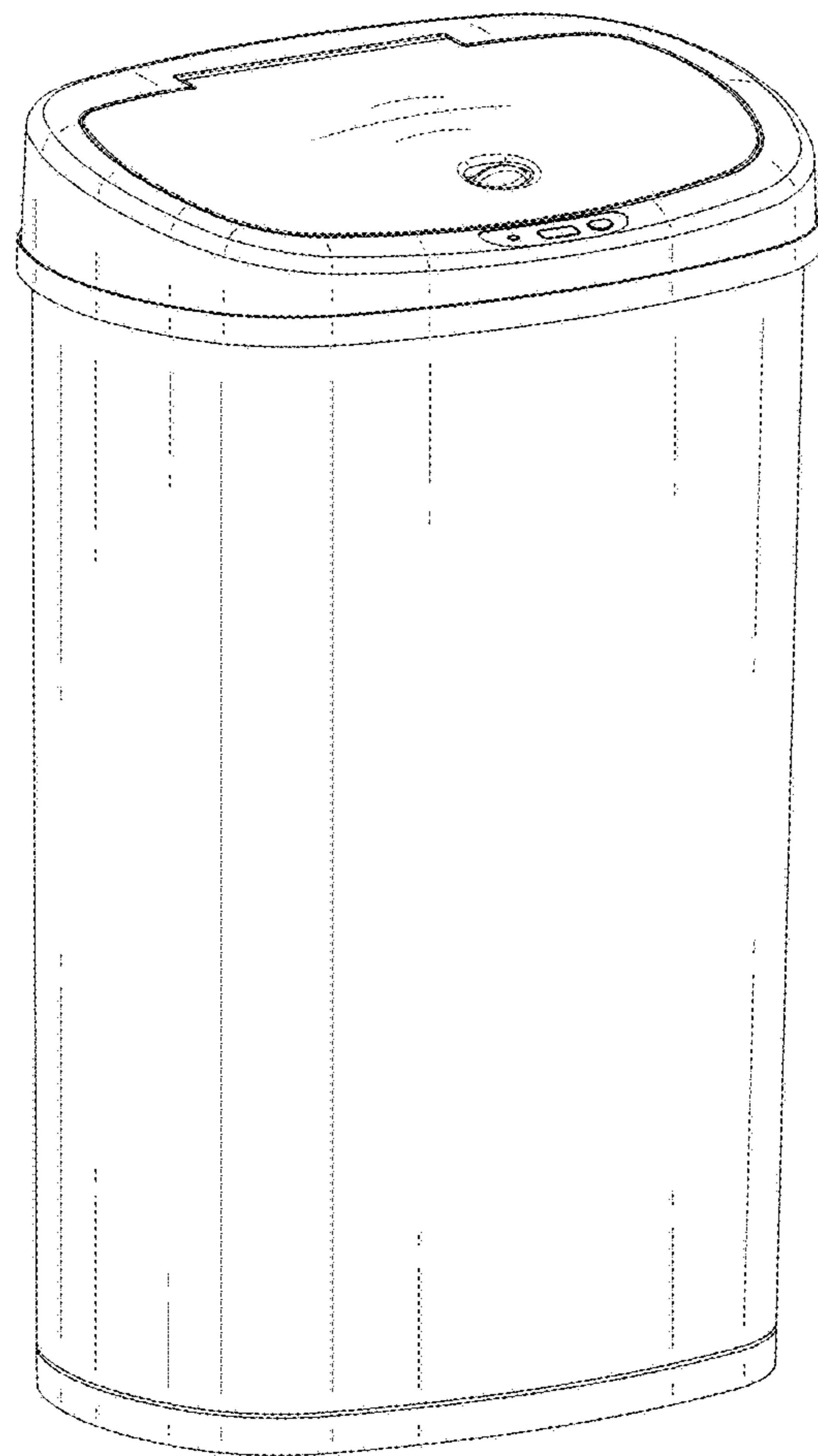


FIG. 1

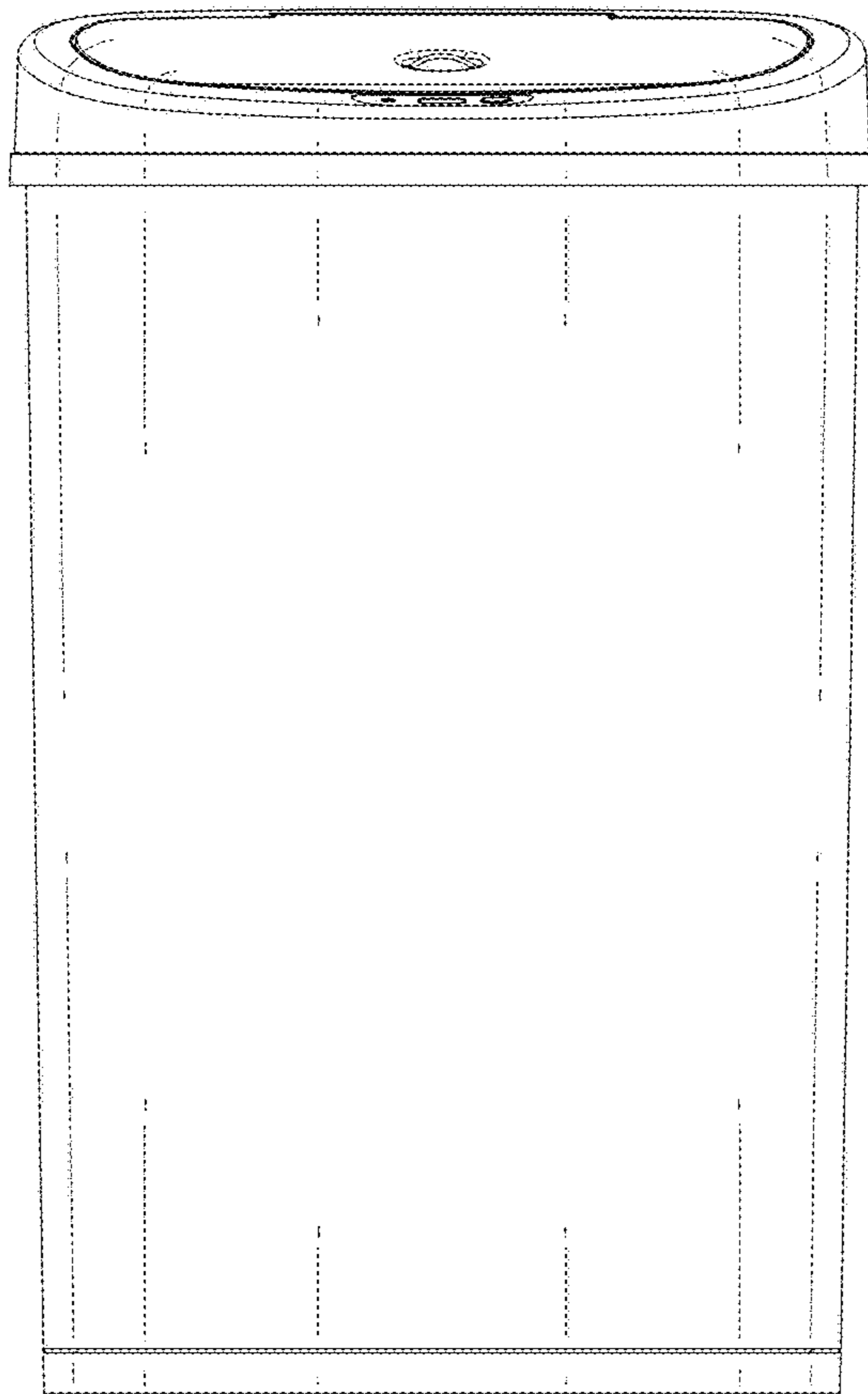


FIG.2

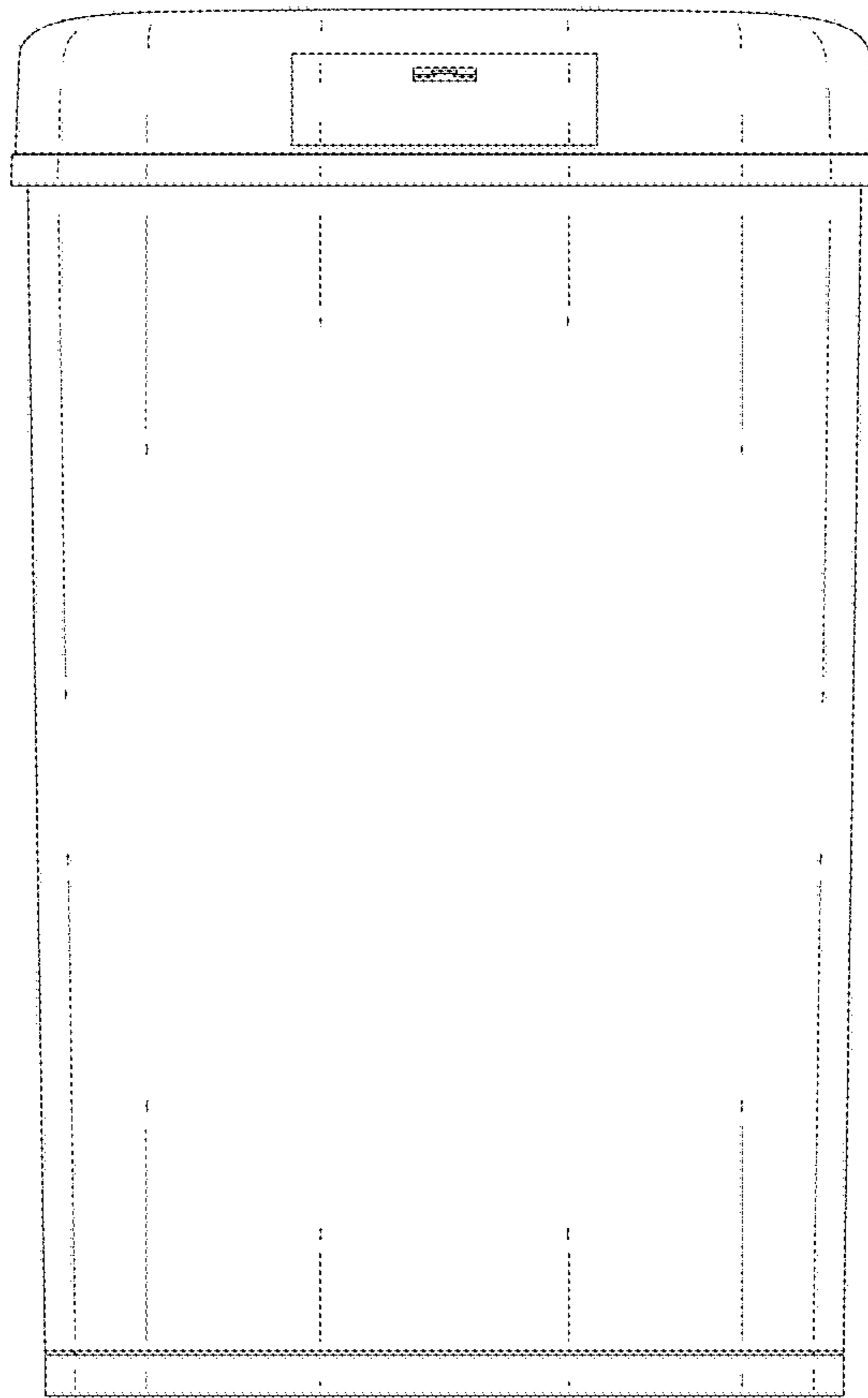


FIG.3

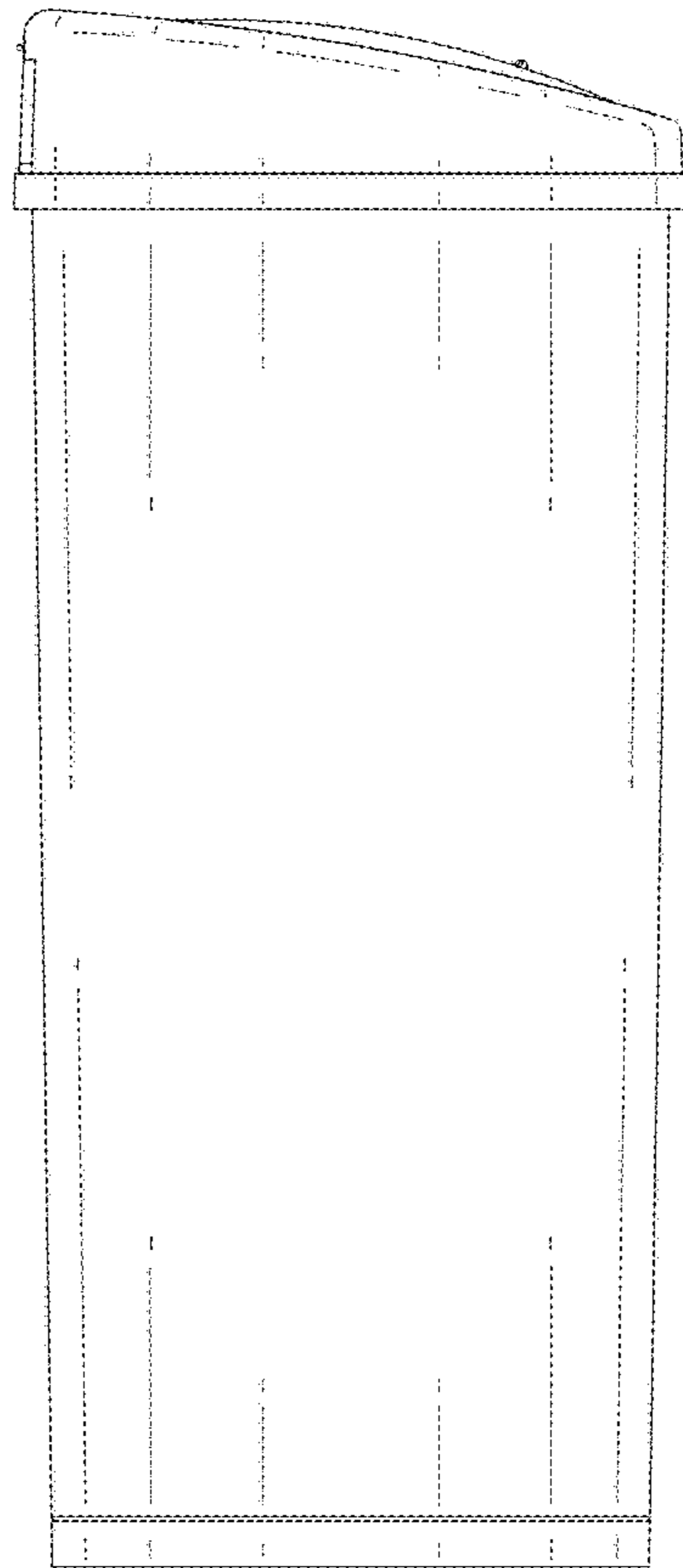


FIG.4

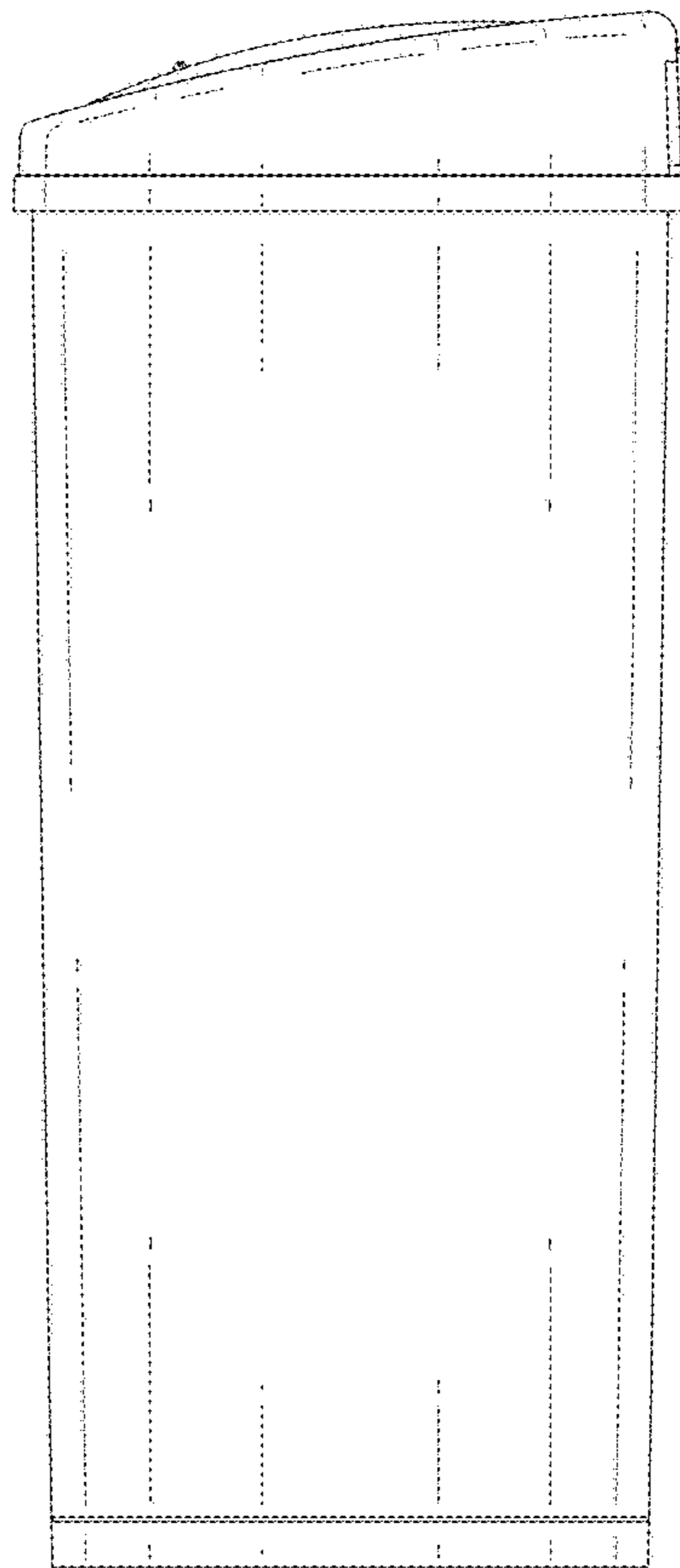


FIG.5

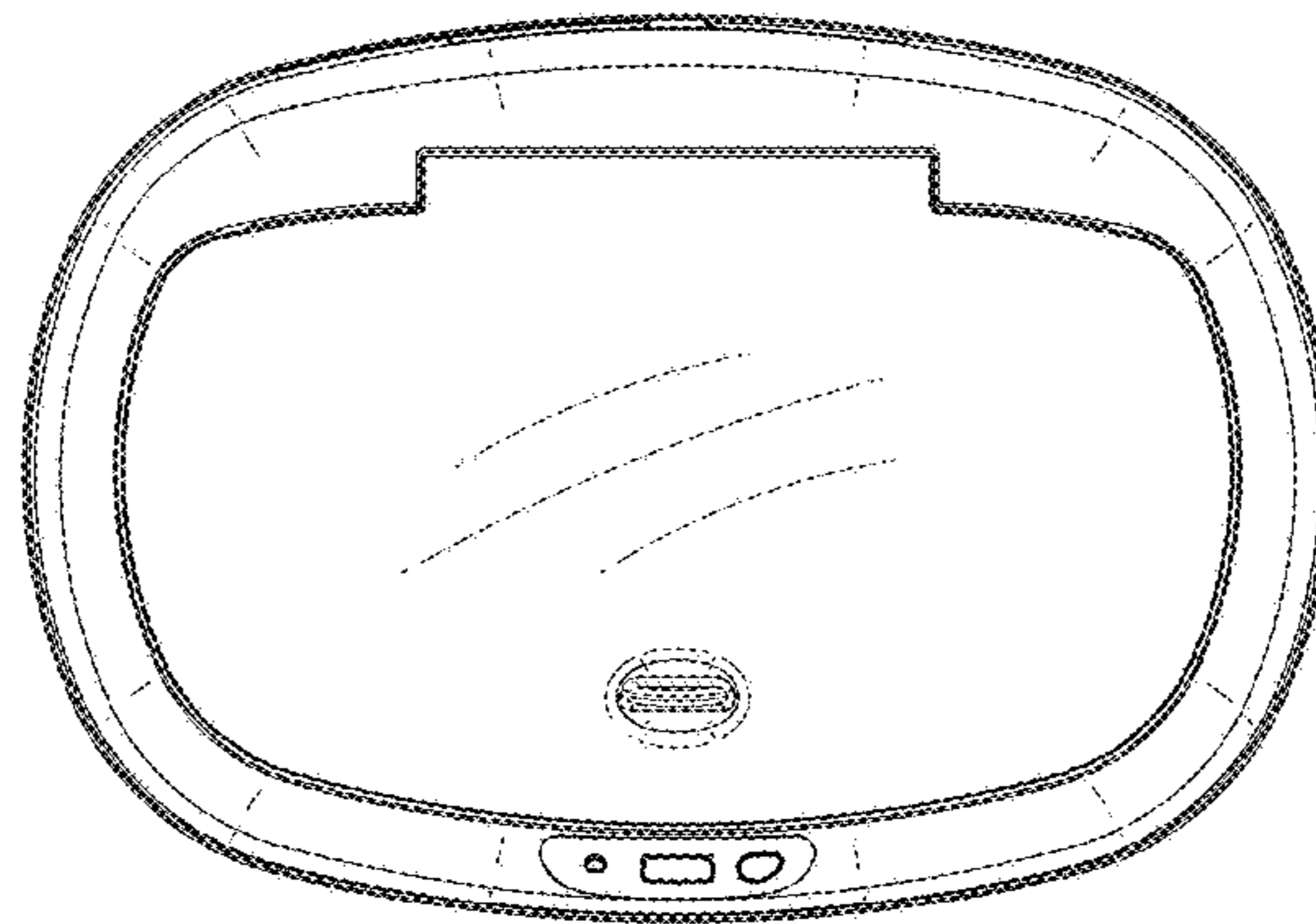


FIG.6

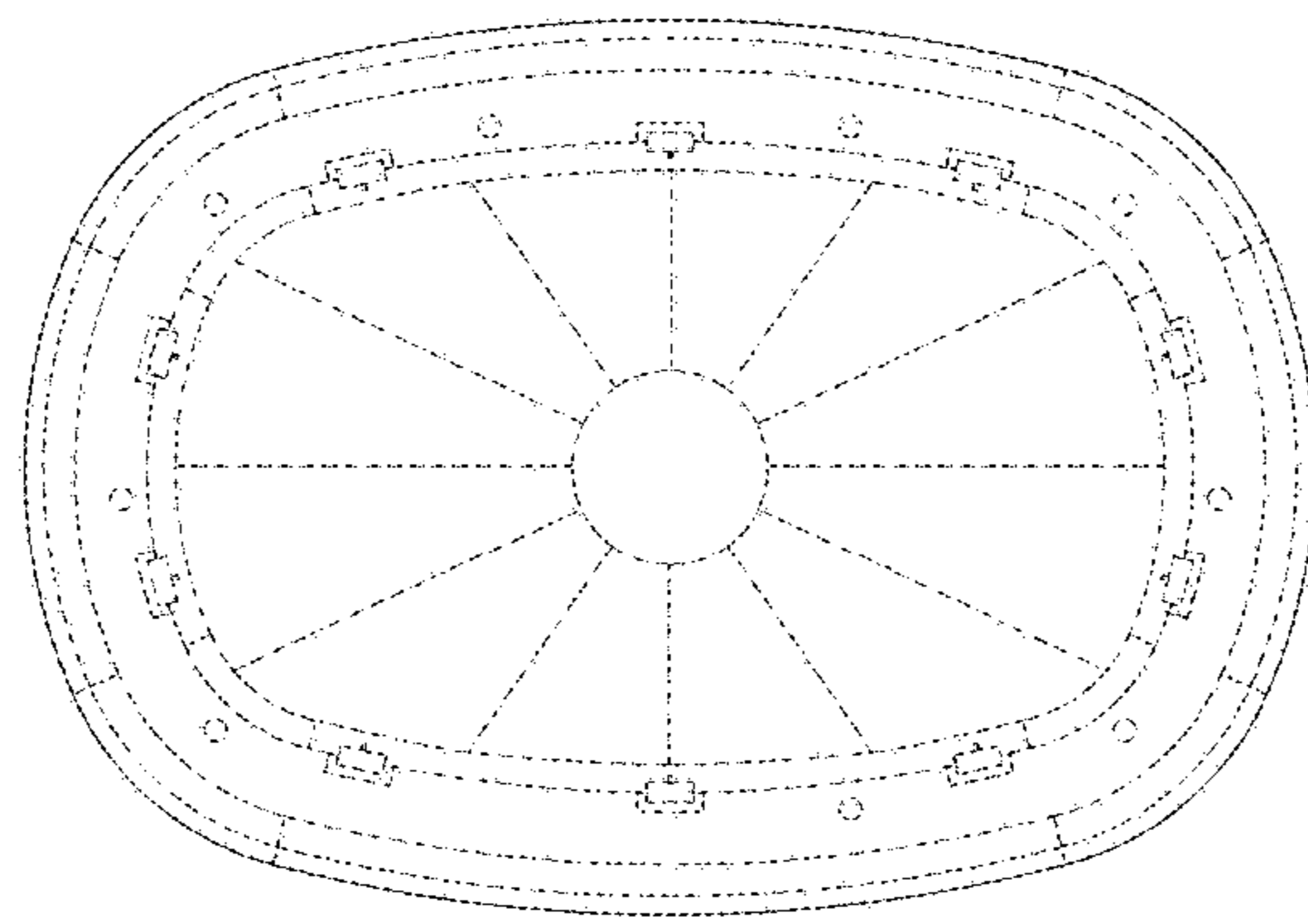


FIG.7



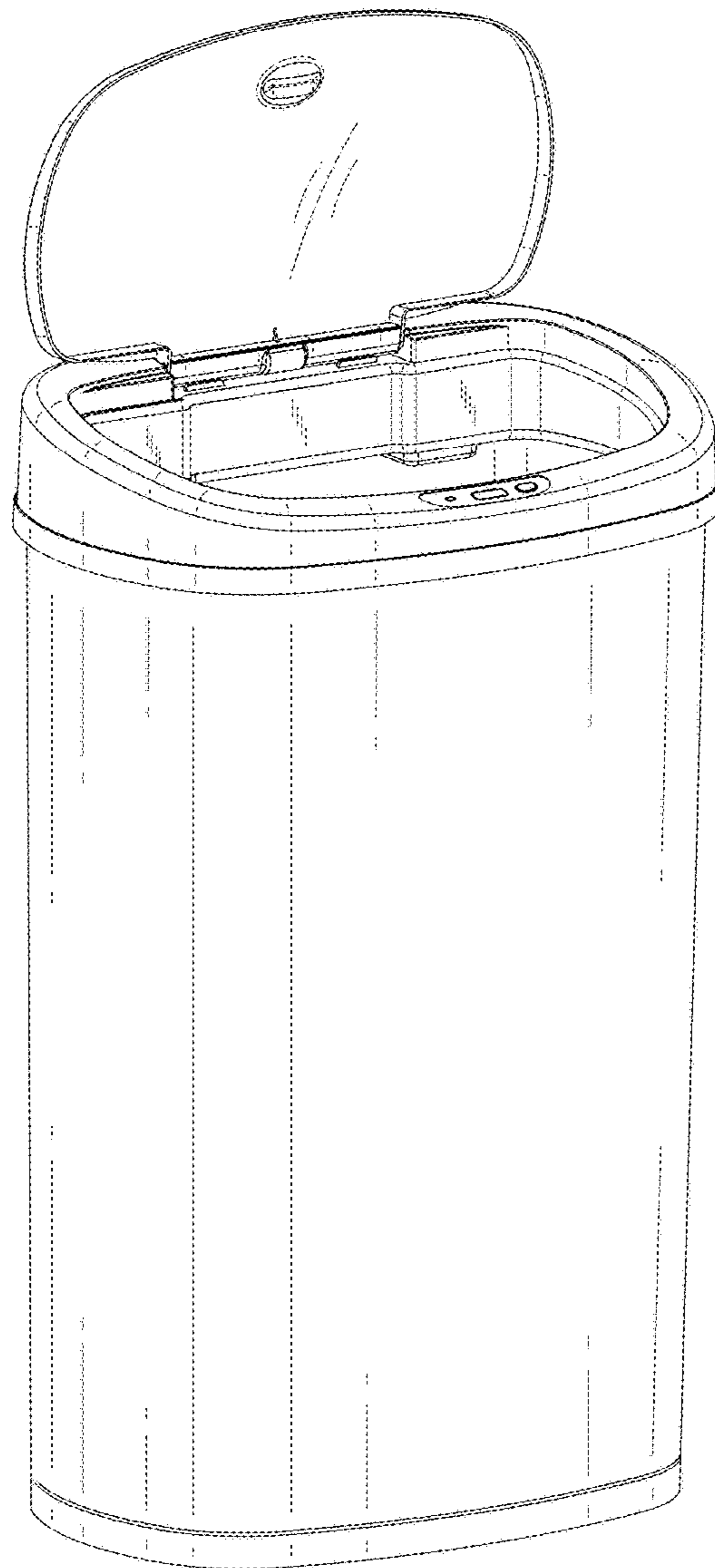


FIG.8