



US00D860568S

(12) **United States Design Patent** (10) **Patent No.:** **US D860,568 S**
Webb (45) **Date of Patent:** **** *Sep. 17, 2019**

(54) **BUCKET GRATING SECTION**

- (71) Applicant: **Pilot, Inc.**, City of Industry, CA (US)
- (72) Inventor: **Scott Webb**, Los Angeles, CA (US)
- (73) Assignee: **Pilot, Inc.**, City of Industry, CA (US)
- (*) Notice: This patent is subject to a terminal disclaimer.
- (**) Term: **15 Years**

(21) Appl. No.: **29/610,534**

(22) Filed: **Jul. 13, 2017**

(51) **LOC (12) Cl.** **07-07**

(52) **U.S. Cl.**

USPC **D32/53**

(58) **Field of Classification Search**

USPC D32/53-54; 15/264; 220/669, 752-3,
220/659, 770, 904, 570, 23.4, 23.6;
206/372, 373; D3/315

CPC A47L 13/58; A47J 47/18; A47J 13/50;
B65D 25/2802; B65D 25/28; B65D
21/02; B65D 21/023; B44D 3/128; B44D
1/126; A46B 17/00

See application file for complete search history.

(56) **References Cited**

U.S. PATENT DOCUMENTS

2,712,668	A *	7/1955	Thiele	A47J 47/18 15/264
4,150,763	A *	4/1979	Simpson	B44D 3/162 220/287
4,566,148	A *	1/1986	Rolin	B44D 3/128 15/257.05
D362,804	S *	10/1995	Warren	A47J 47/18 D32/54
D383,275	S *	9/1997	Hebert	B44D 3/128 D32/54
5,746,346	A *	5/1998	Crilly	B44D 3/121 220/23.83
D398,663	S *	9/1998	Frelander	D21/532

(Continued)

OTHER PUBLICATIONS

“Grit Guard Car Wash & Wax Supplies,” Sears, retrieved from <http://www.sears.com/utomotive-basics-car-care-detailing-car-wash-wax-supplies/b-1289771208?Brand=Grit%20Guard&filterList=Brand>, retrieved on Jun. 26, 2017, 3 pages.

(Continued)

Primary Examiner — Robin V Webster

(74) *Attorney, Agent, or Firm* — Sheridan Ross P.C.

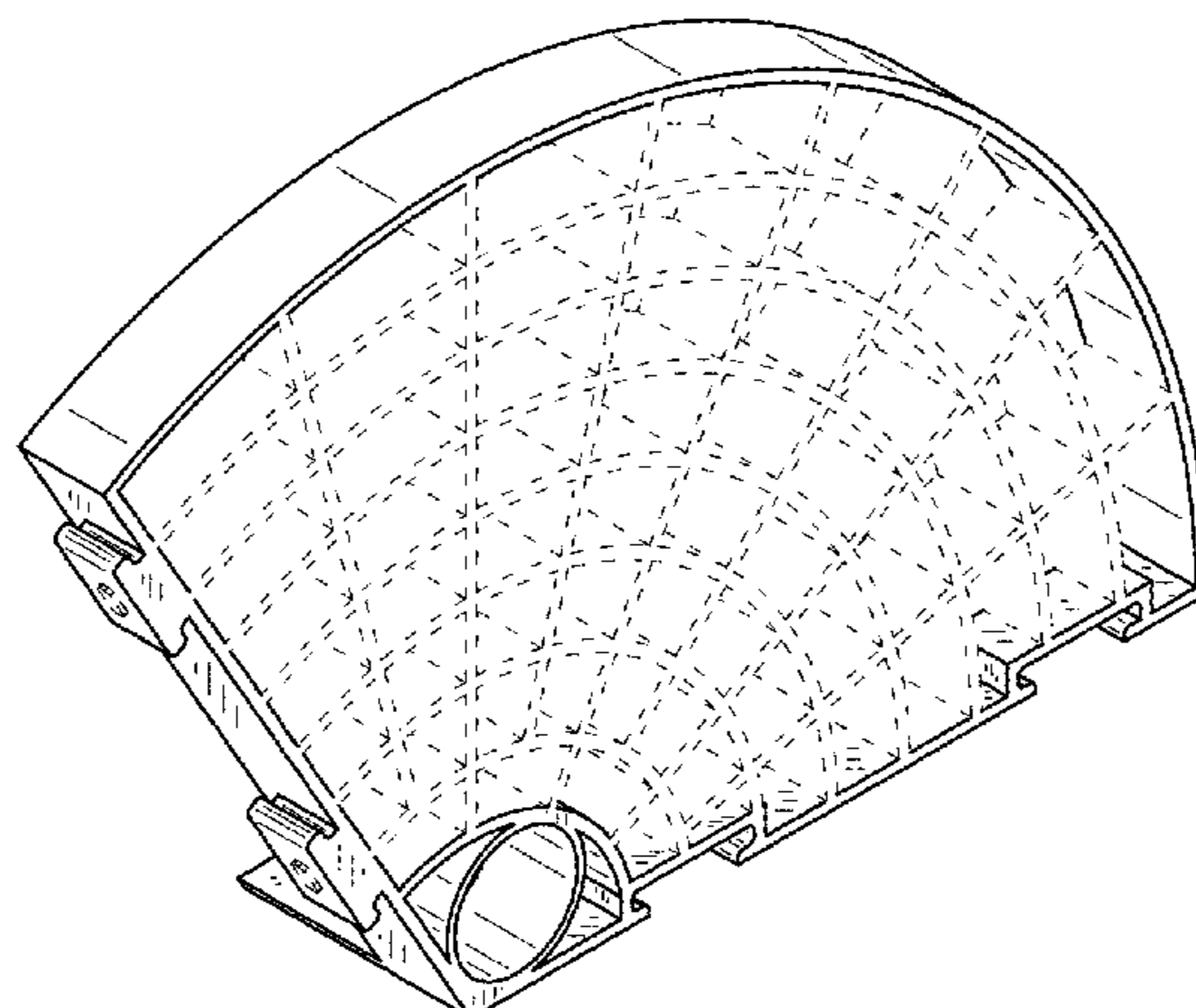
(57) **CLAIM**

The ornamental design for a bucket grating section, as shown and described.

DESCRIPTION

FIG. 1 is a perspective view of a bucket grating section showing my new design;
 FIG. 2 is a front elevational view thereof;
 FIG. 3 is a back elevational view thereof;
 FIG. 4 is a left side elevational view thereof;
 FIG. 5 is a right side elevational view thereof;
 FIG. 6 is a top plan view thereof;
 FIG. 7 is a bottom plan view thereof;
 FIG. 8 is a perspective view showing the bucket grating section of FIG. 1 stacked with another bucket grating section;
 FIG. 9 is a left side view showing the bucket grating section of FIG. 1 stacked with another bucket grating section; and,
 FIG. 10 is a perspective view of the bucket grating section of FIG. 1 assembled with two other bucket grating sections. The broken line showing of portions of the bucket grating section and environment in FIGS. 8-10 is included for the purpose of illustrating and forms no part of the claimed design.

1 Claim, 8 Drawing Sheets



(56)

References Cited

U.S. PATENT DOCUMENTS

8,281,952 B2 * 10/2012 Robellard B44D 3/128
220/501
D675,492 S * 2/2013 Art D32/54
D792,045 S * 7/2017 Jaakkola D32/53
9,861,247 B2 * 1/2018 Schneider A47J 47/18
D815,788 S * 4/2018 Seiders A47J 47/18
D32/53

OTHER PUBLICATIONS

“Meguiar’s Grit Guard,” Walmart, retrieved from <https://www.walmart.com/ip/Meguiar-s-Grit-Guard/30340906>, retrieved on Jun. 26, 2017, 1 page.

* cited by examiner

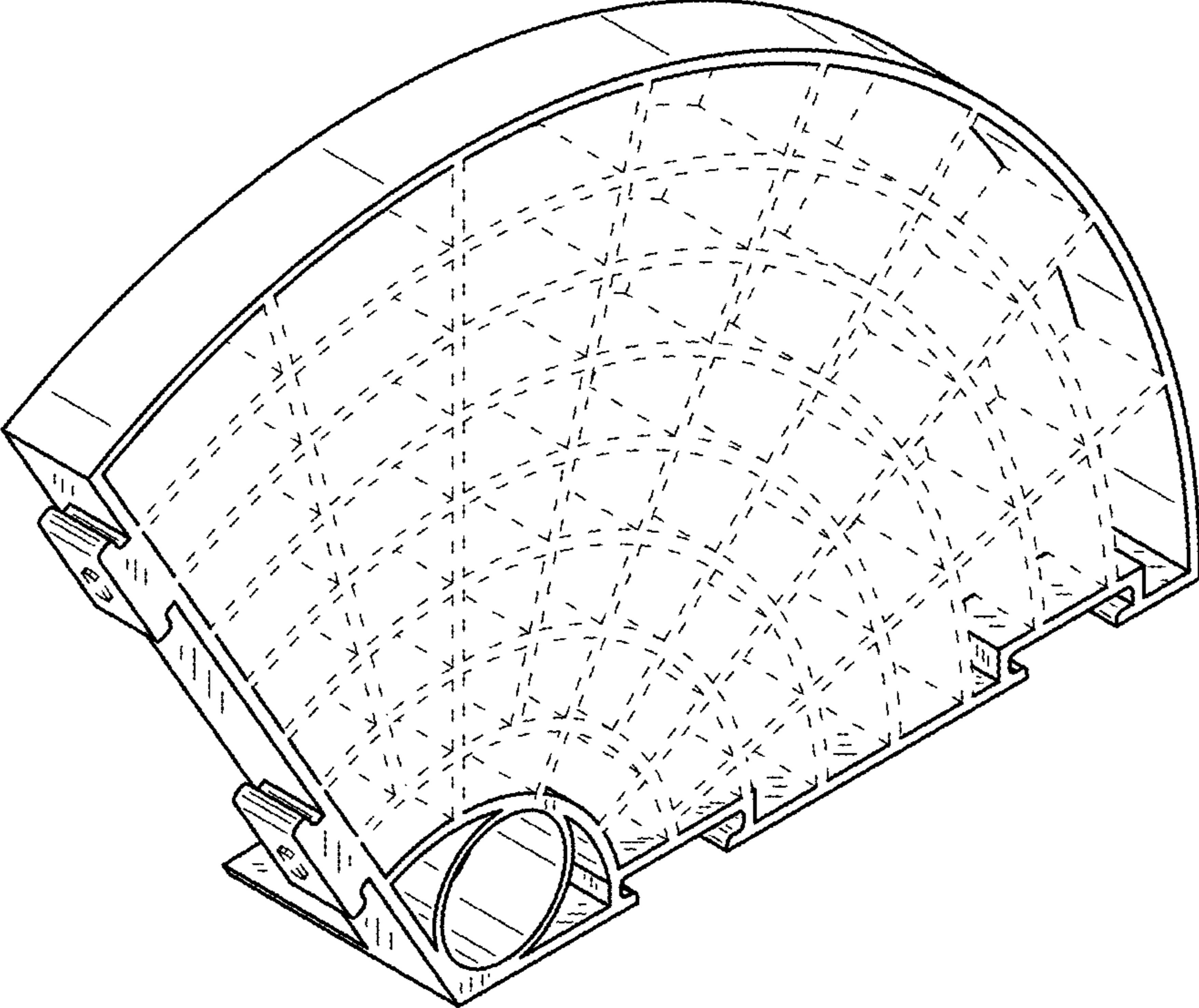


FIG.1

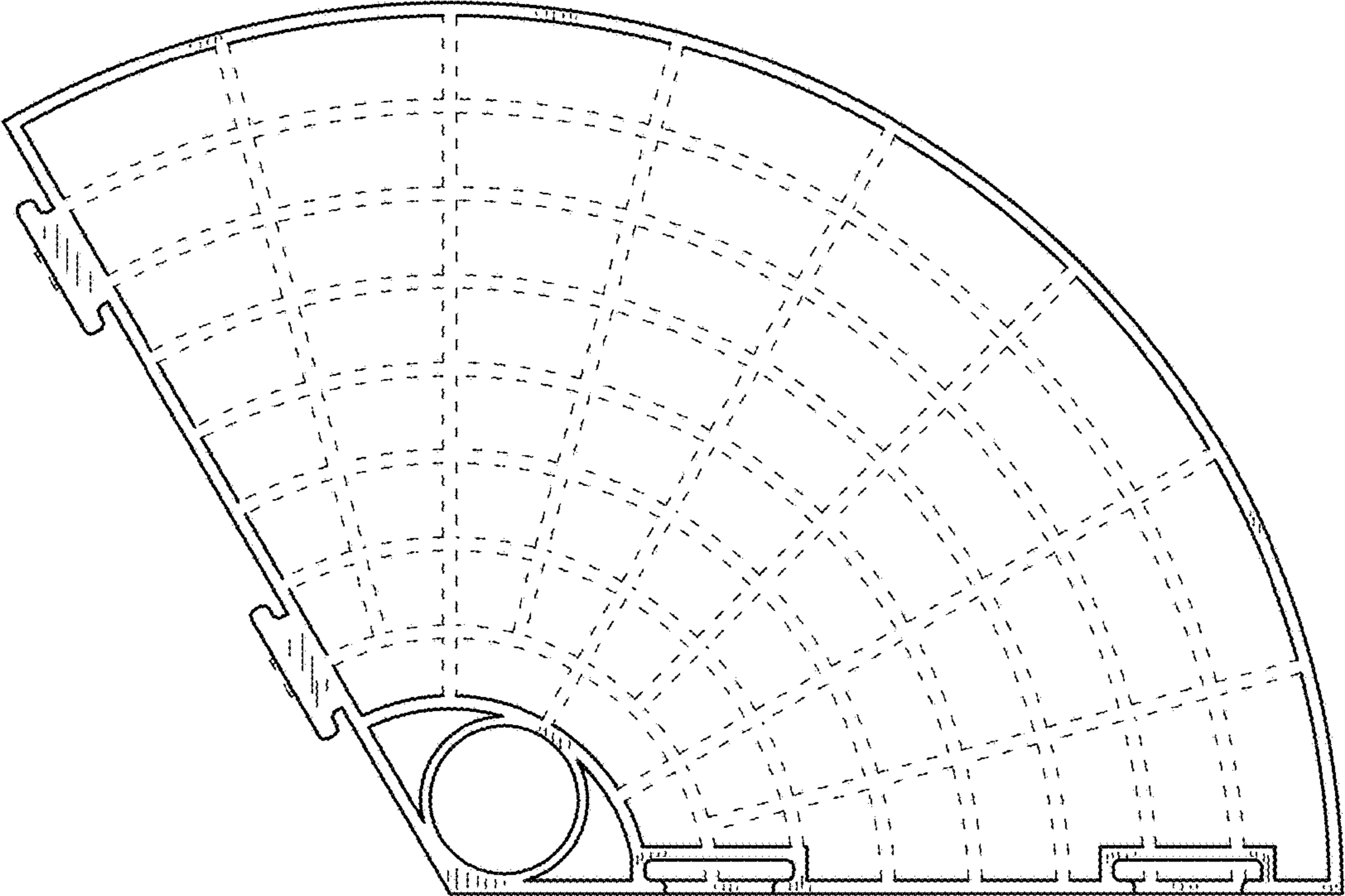


FIG.2

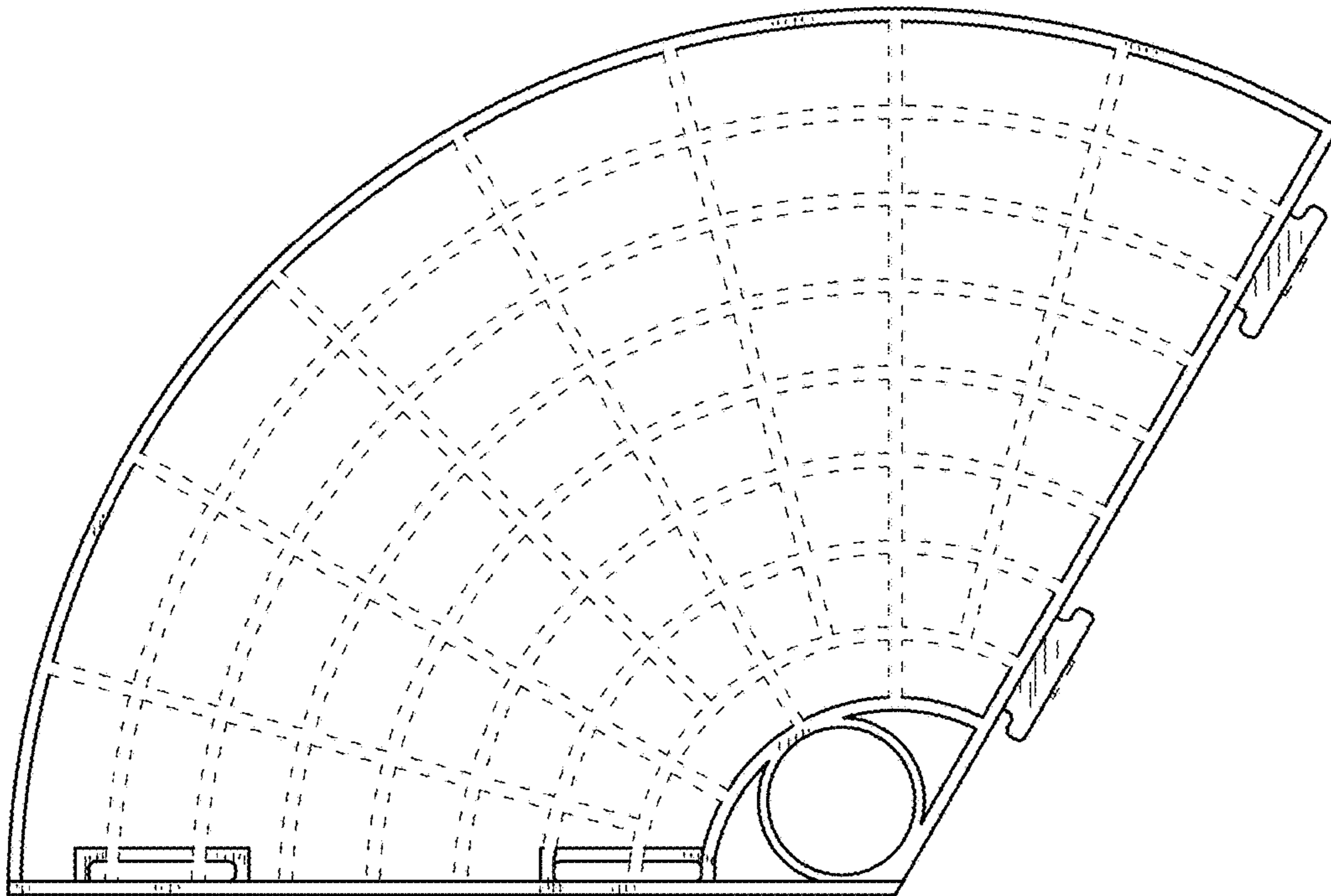


FIG.3

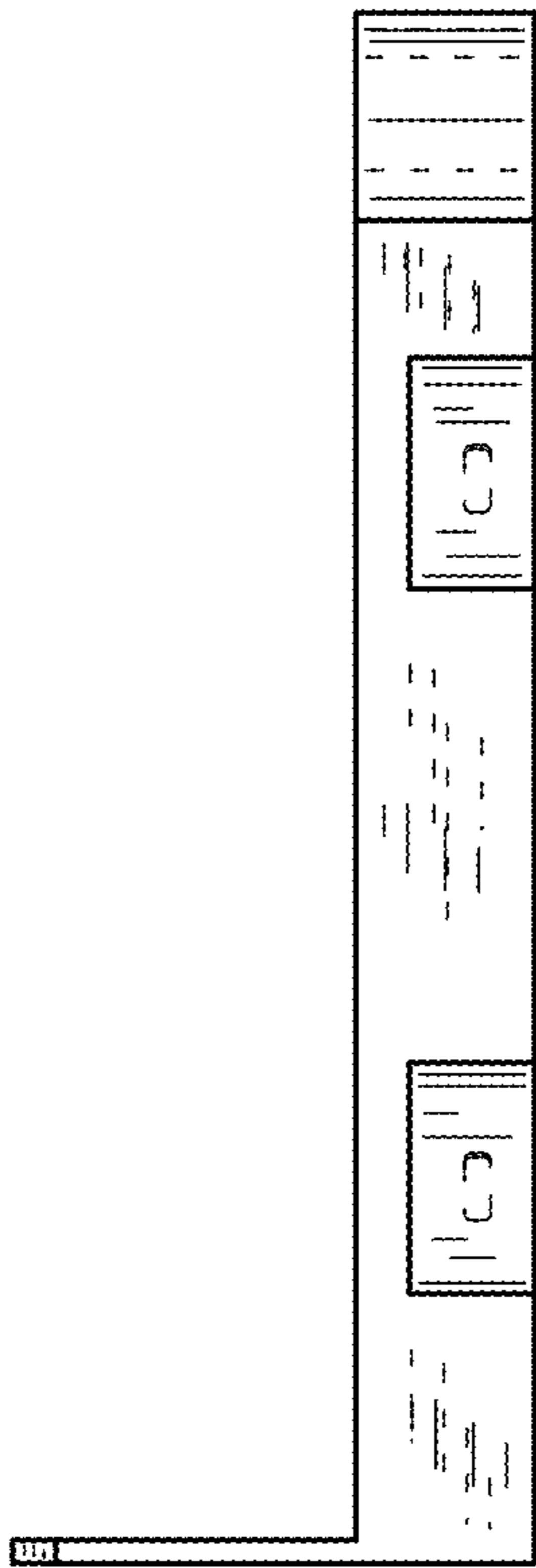


FIG.4

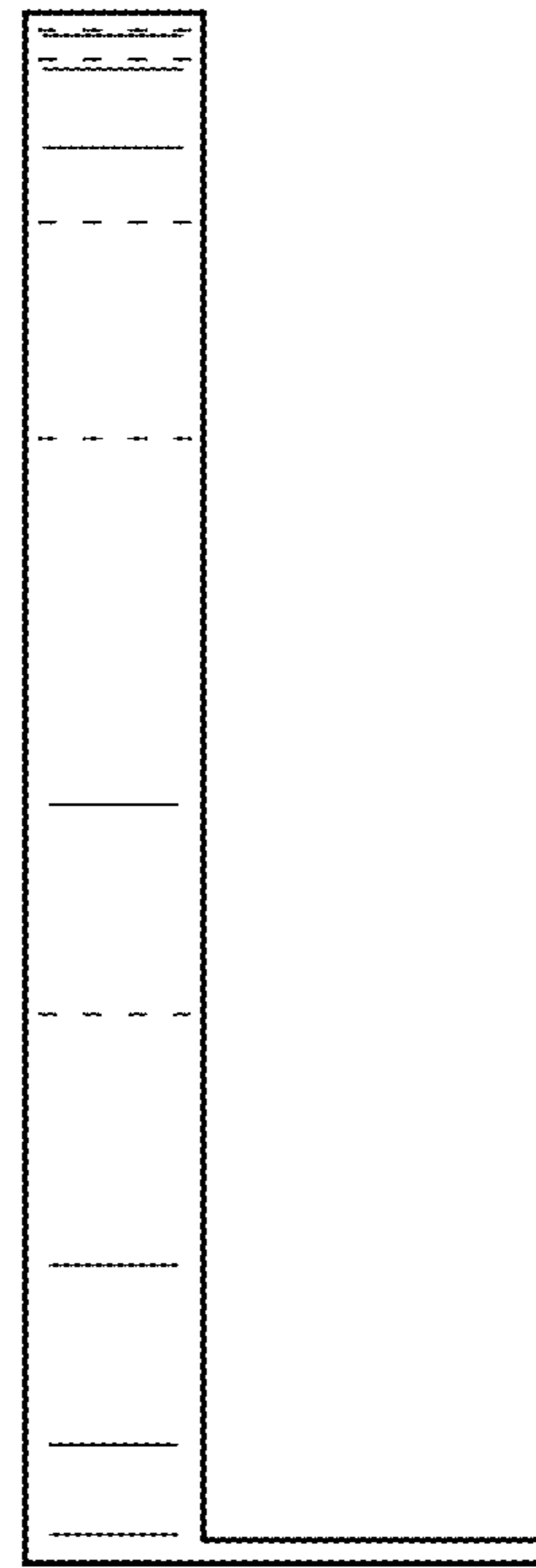


FIG.5

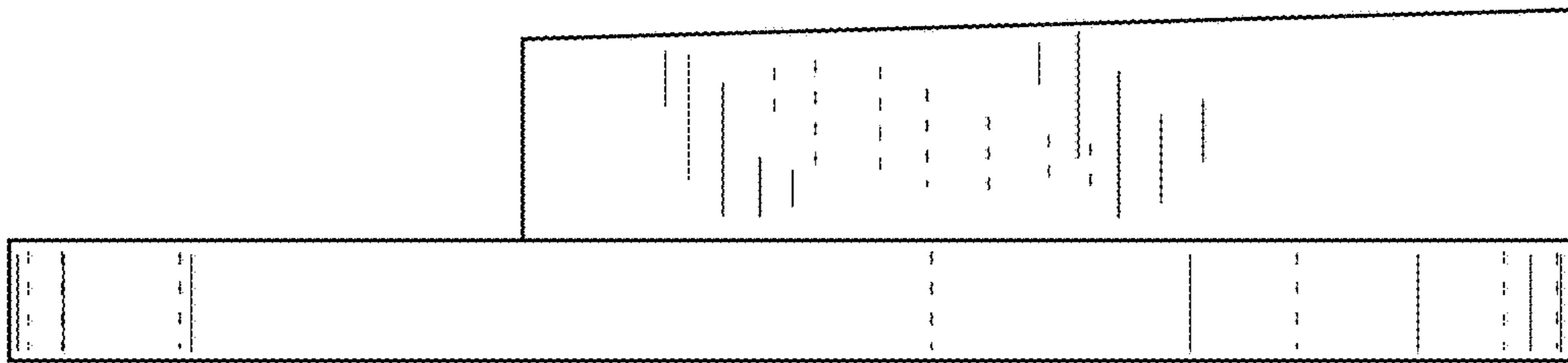


FIG. 6

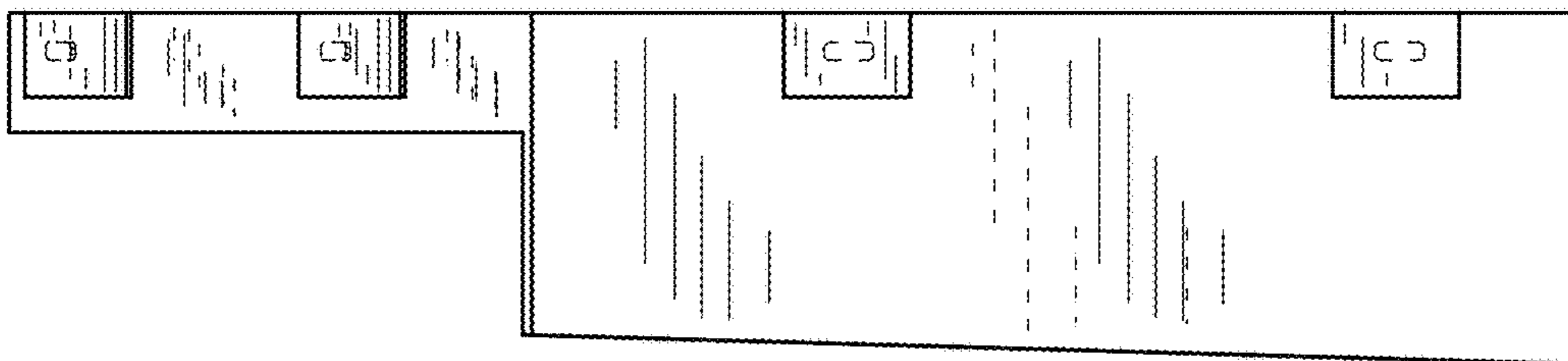


FIG. 7

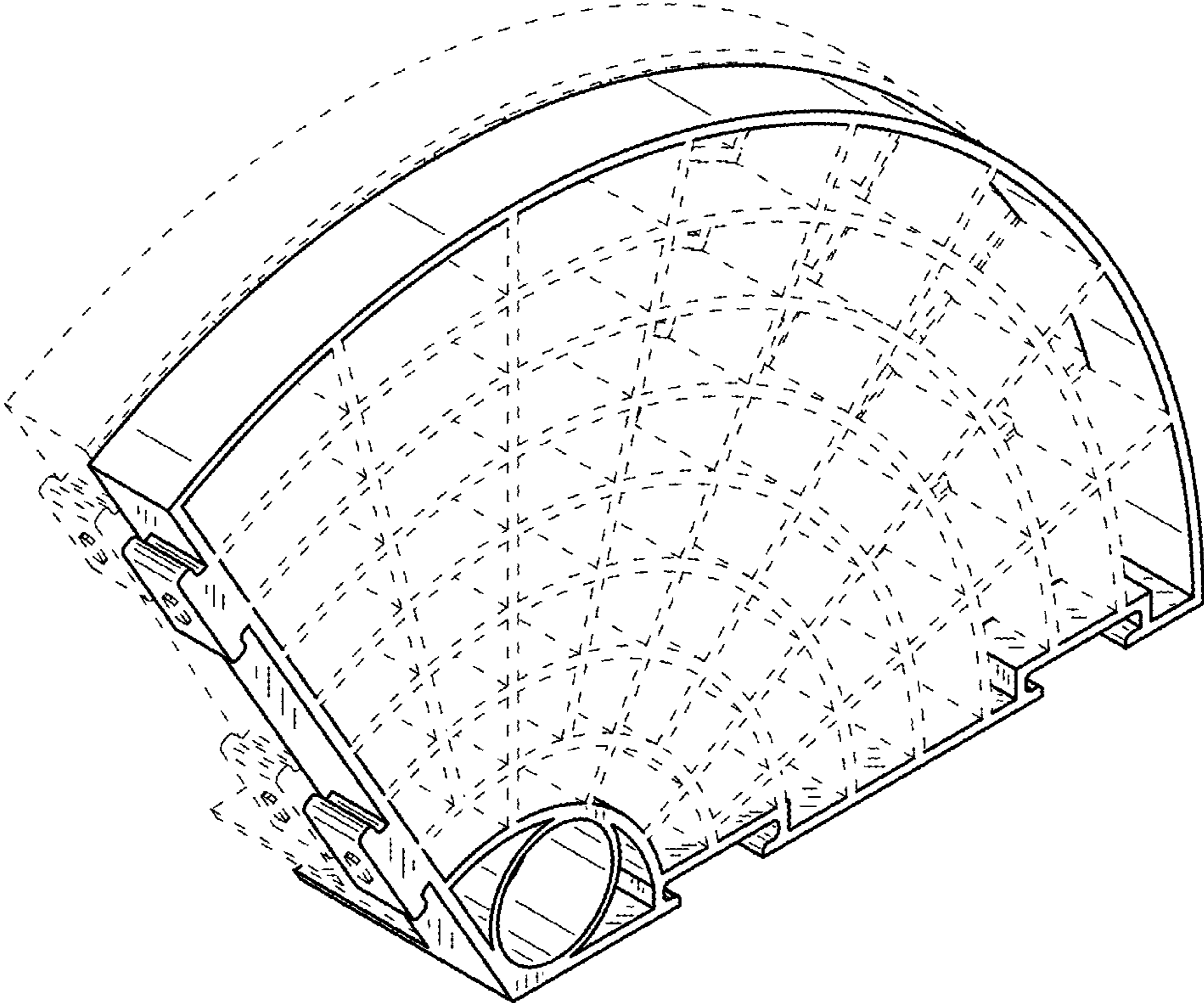


FIG.8

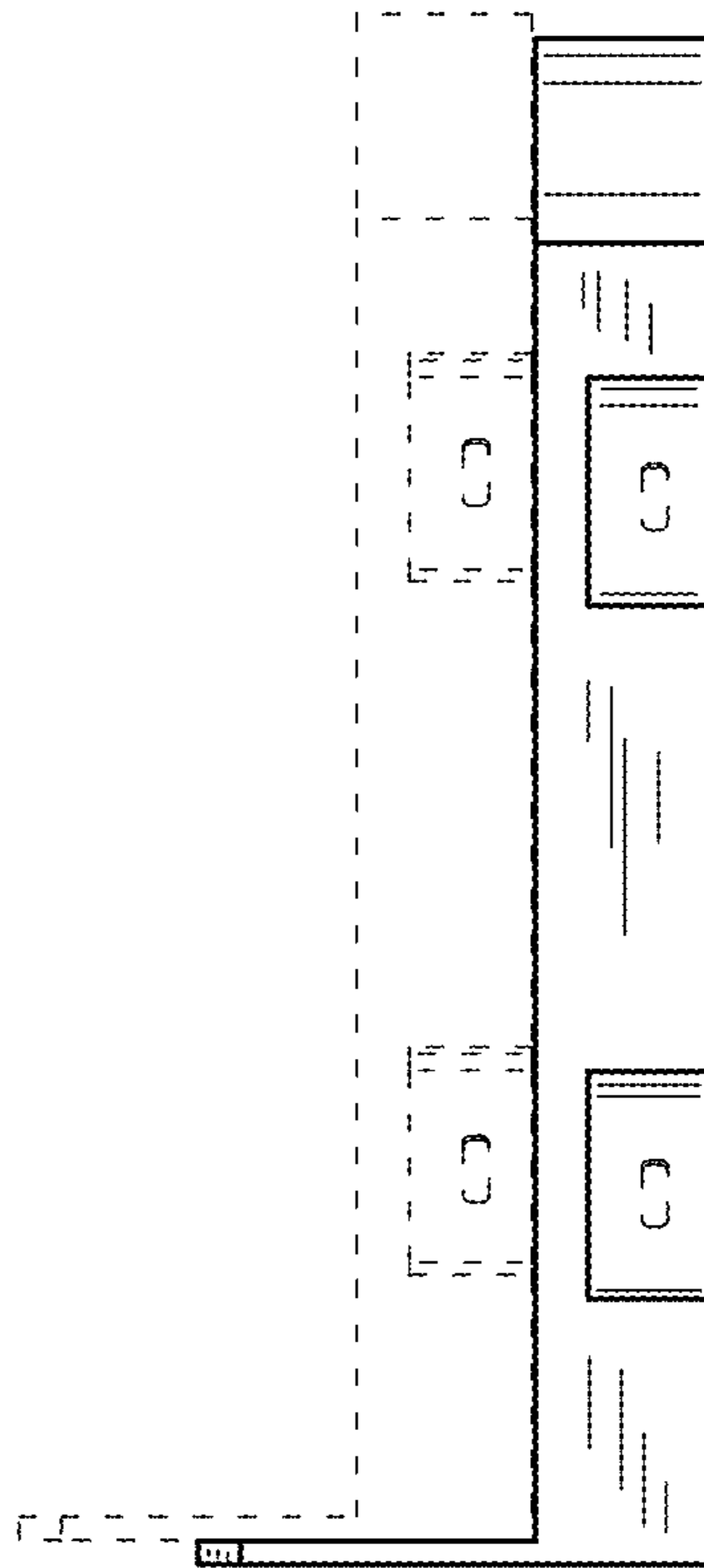


FIG.9

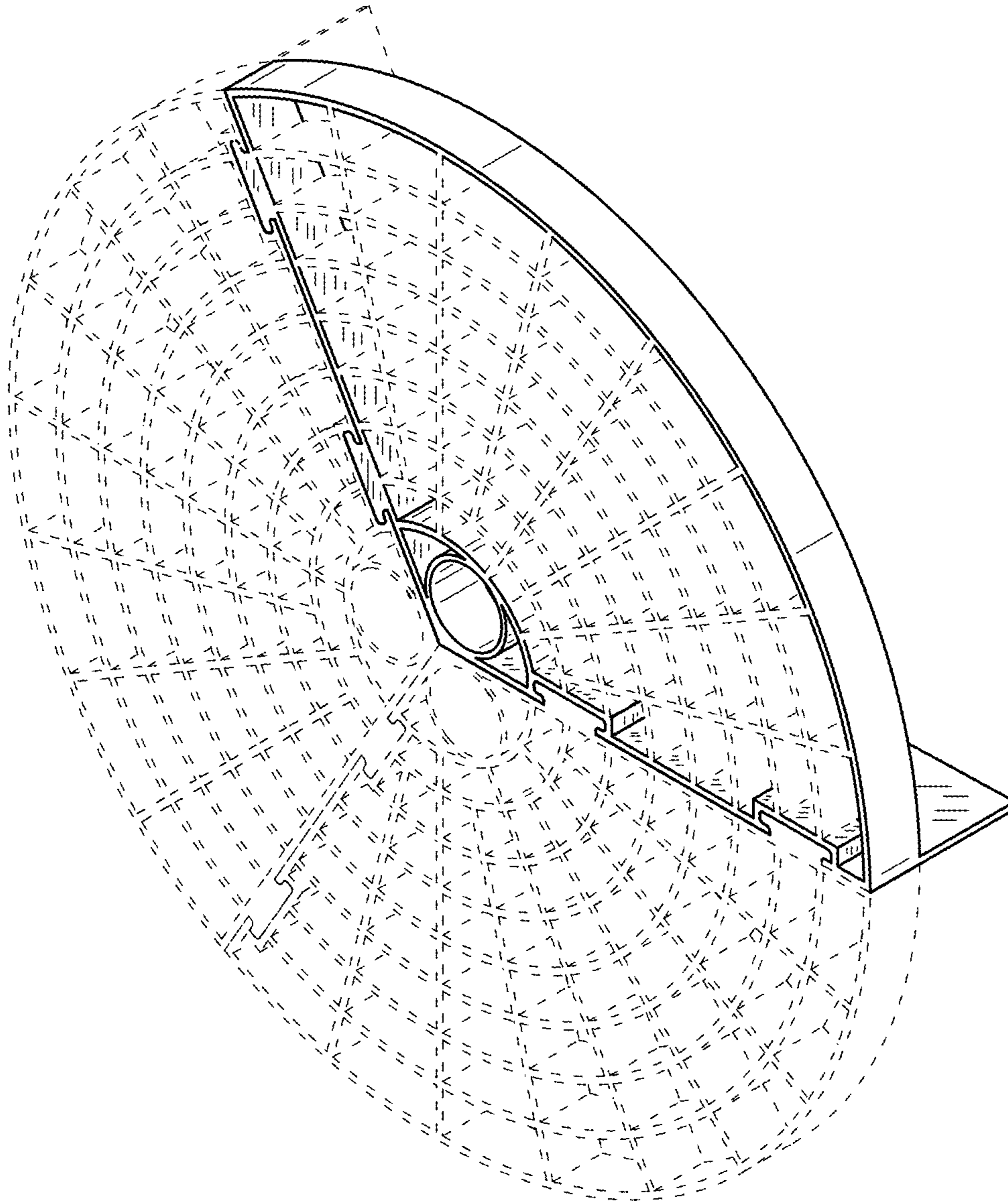


FIG.10