



US00D860567S

(12) **United States Design Patent** (10) **Patent No.:** **US D860,567 S**
Borovicka et al. (45) **Date of Patent:** **** *Sep. 17, 2019**

(54) **GRILL CLEANING TOOL**

FOREIGN PATENT DOCUMENTS

(71) Applicant: **Charcoal Companion Incorporated,**
Berkeley, CA (US)

CA 2023273 A1 2/1992
CN 303463274 * 11/2015

(Continued)

(72) Inventors: **Cory Thomas Borovicka,** Oakland, CA
(US); **Kwame Phillips-Solomon,**
Emeryville, CA (US)

OTHER PUBLICATIONS

(73) Assignee: **Charcoal Companion Incorporated,**
Berkeley, CA (US)

Great Scrape website products page, website 2018, www.thegreatscrape.com/products, site visited Dec. 25, 2018.*

(Continued)

(*) Notice: This patent is subject to a terminal disclaimer.

Primary Examiner — John Windmuller

Assistant Examiner — John R Yeh

(**) Term: **15 Years**

(74) *Attorney, Agent, or Firm* — Beeson Skinner Beverly, LLP

(21) Appl. No.: **29/657,694**

(22) Filed: **Jul. 24, 2018**

(57) **CLAIM**

Related U.S. Application Data

The ornamental design for a grill cleaning tool, as shown and described.

(63) Continuation-in-part of application No. 29/608,947, filed on Jun. 27, 2017, now Pat. No. Des. 828,666.

(51) **LOC (12) Cl.** **07-05**

DESCRIPTION

(52) **U.S. Cl.**

USPC **D32/46**

(58) **Field of Classification Search**

USPC D32/40-43, 46; D4/116, 118; D24/146;
D8/9, 47, 82, 86, 303, 313, 71; D7/691,
D7/688, 669

CPC A47L 13/08; A47L 1/16; B44D 3/16; A47J
37/07; B25D 3/00; B26B 5/00; A47B
88/00

See application file for complete search history.

FIG. 1 is a front perspective view of a grill cleaning tool showing our new design;
FIG. 2 is front elevational view thereof;
FIG. 3 is a right side elevational view thereof;
FIG. 4 is a rear elevational view thereof;
FIG. 5 is a bottom plan view thereof;
FIG. 6 is a top plan view thereof;
FIG. 7 is a front perspective view thereof, shown without a handle;
FIG. 8 is front elevational view thereof;
FIG. 9 is a right side elevational view thereof;
FIG. 10 is a rear elevational view thereof;
FIG. 11 is a bottom plan view thereof; and,
FIG. 12 is a top plan view thereof.

The broken lines in FIGS. 1 to 6 showing the handle of the grill cleaning tool form no part of the claimed design.

(56) **References Cited**

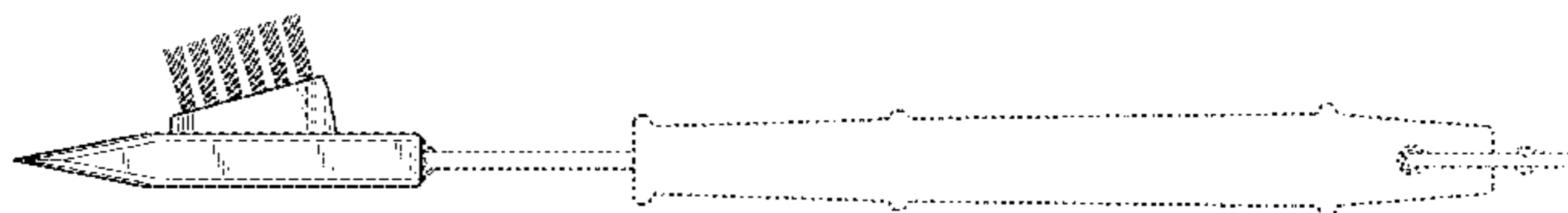
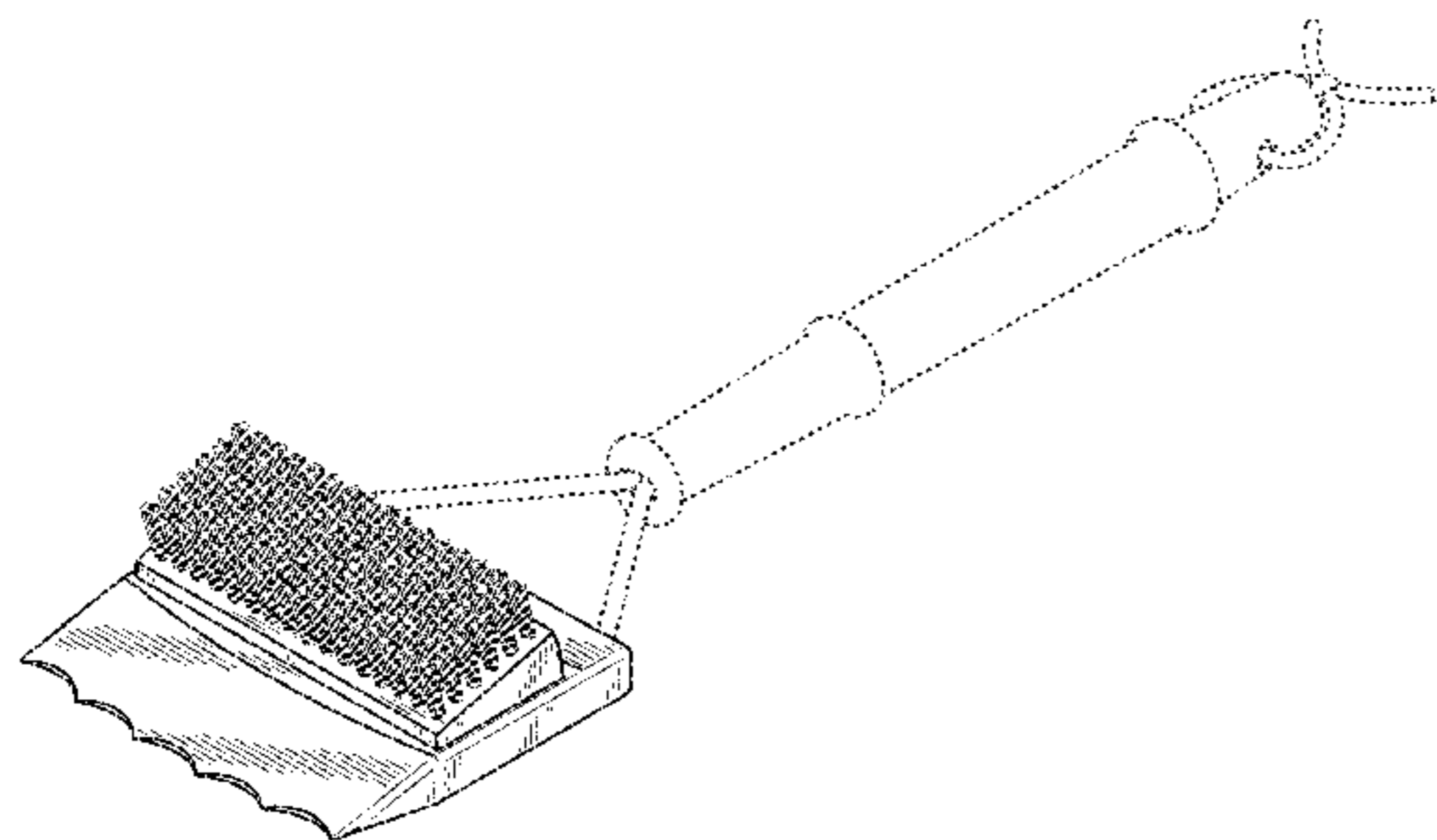
U.S. PATENT DOCUMENTS

1,710,113 A * 4/1929 Rothermel B44D 3/162
15/236.01

1,728,956 A * 9/1929 Darmitzel A46B 15/0055
132/309

(Continued)

1 Claim, 4 Drawing Sheets



(56)

References Cited

U.S. PATENT DOCUMENTS

2,167,196 A * 7/1939 Bothum A46B 5/02
 132/313
 D135,809 S * 6/1943 Zuk D4/116
 3,229,316 A * 1/1966 Matheson
 D313,158 S * 12/1990 Cecil D8/107
 D321,962 S * 11/1991 Roma D32/49
 D324,747 S * 3/1992 Rood
 D331,681 S * 12/1992 Schaefer D6/580
 D358,491 S * 5/1995 Hoagland D32/42
 6,276,023 B1 8/2001 Grundy
 D454,000 S * 3/2002 Gringer D4/118
 D482,872 S * 12/2003 Hay D32/49
 D497,258 S * 10/2004 Puckett D4/118
 D500,184 S * 12/2004 Libman D32/41
 D501,608 S * 2/2005 Uffner D4/118
 D516,919 S * 3/2006 Sakai D4/116
 D604,919 S * 11/2009 Meyer D32/41
 8,741,068 B2 6/2014 Thompson
 D756,580 S * 5/2016 Philip D32/46
 D762,933 S * 8/2016 Masalin D32/40
 D826,503 S * 8/2018 Dobson, III D32/74
 D827,962 S * 9/2018 Borovicka D32/40
 D828,666 S * 9/2018 Borovicka D32/40
 D833,751 S * 11/2018 Lien D4/118
 D835,370 S * 12/2018 Thompson D32/46
 2004/0000056 A1 * 1/2004 Chao B44D 3/162
 30/169

2006/0048328 A1 * 3/2006 McIlree A47J 37/0786
 15/236.06
 2009/0188061 A1 * 7/2009 Cybulski A47J 37/0786
 15/111
 2017/0340188 A1 * 11/2017 Rylands A47L 13/08

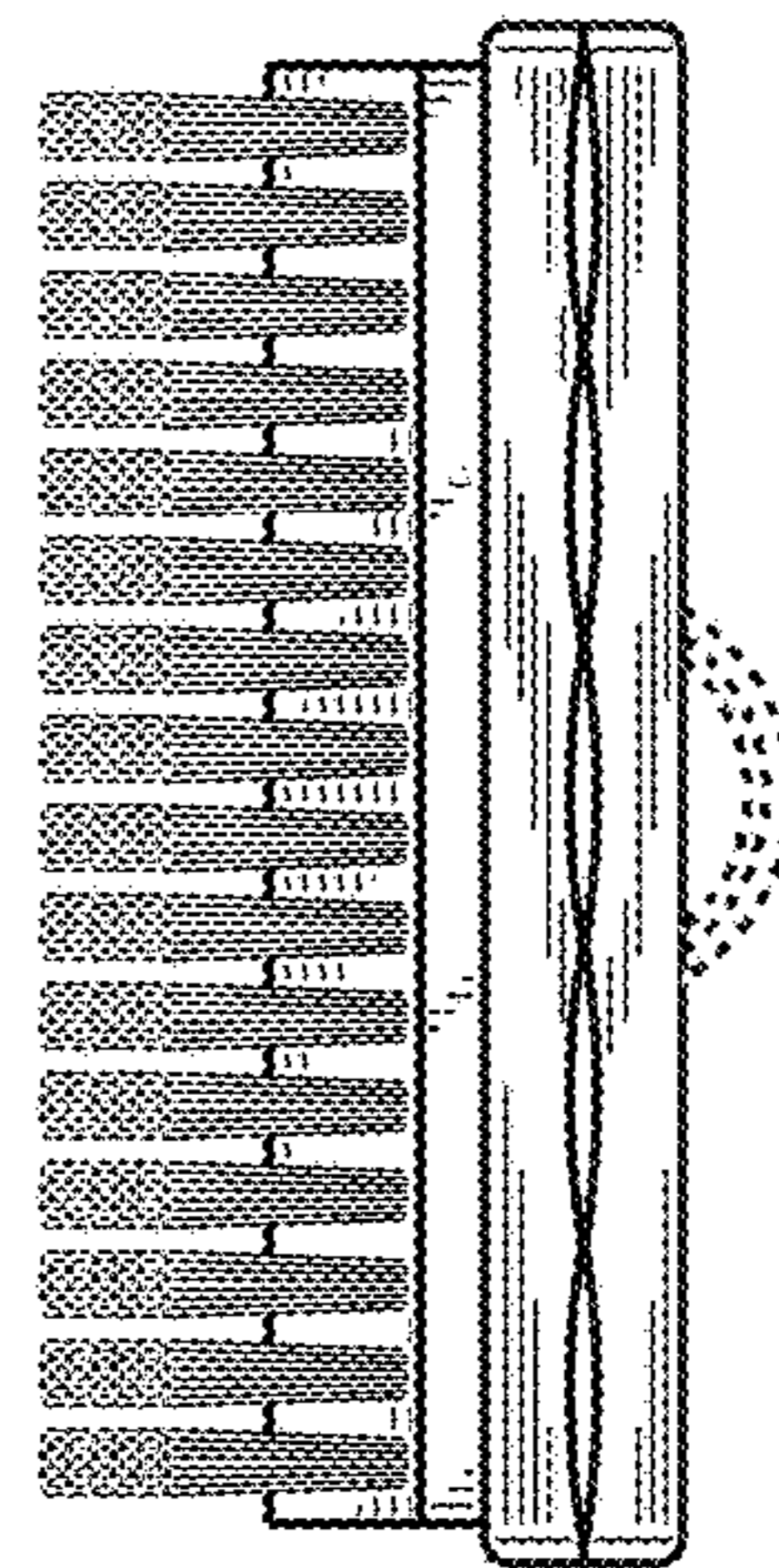
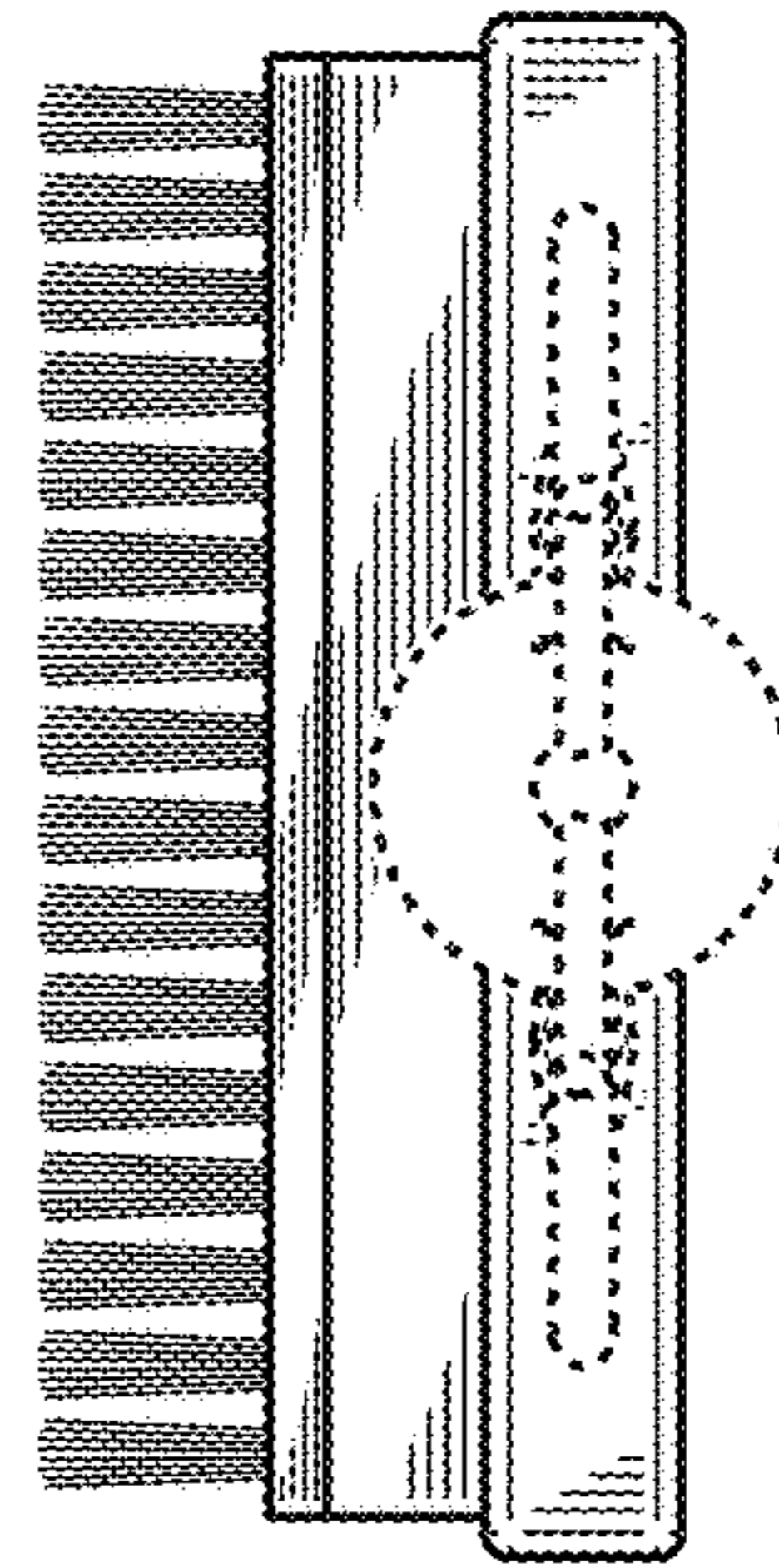
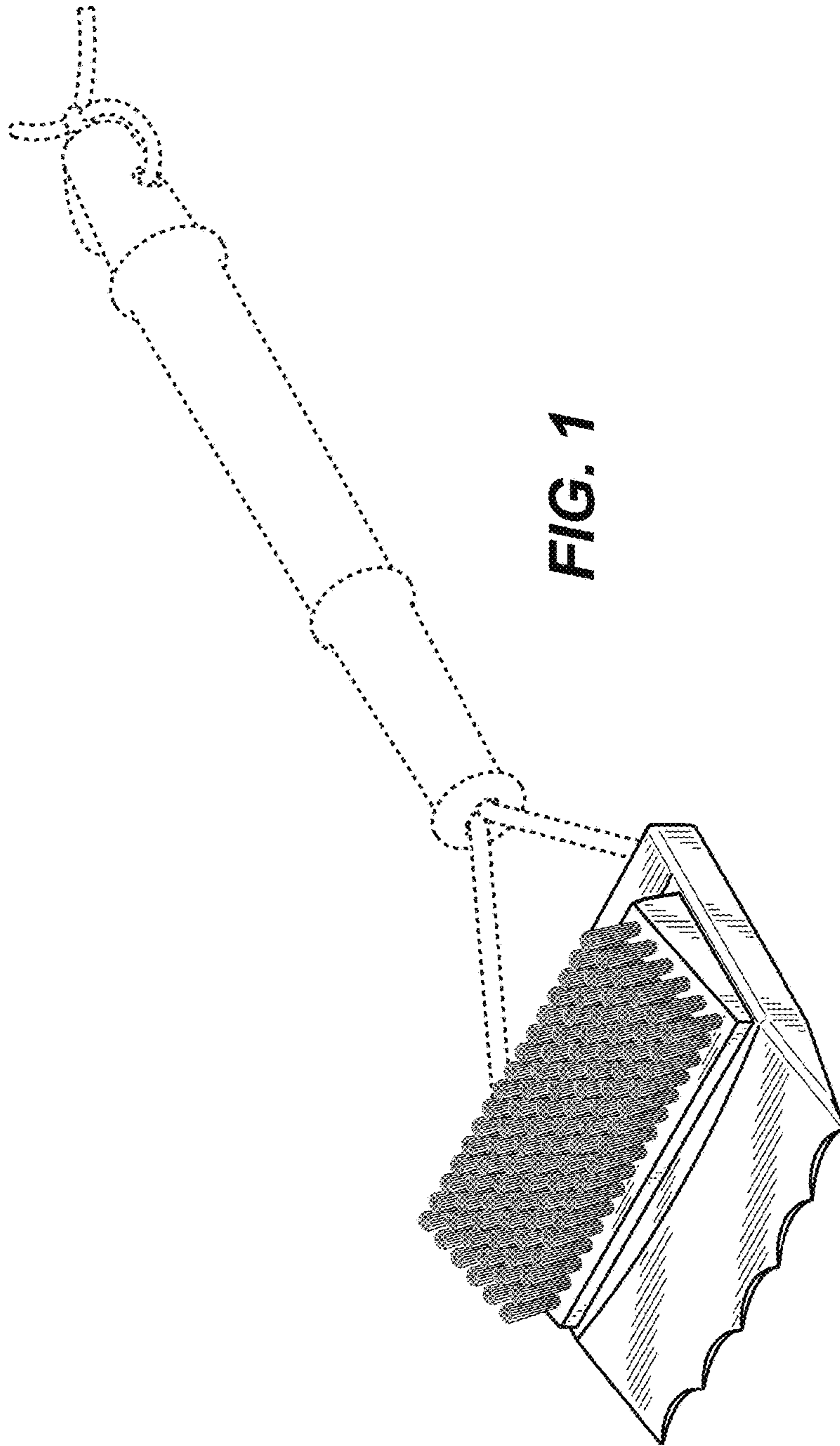
FOREIGN PATENT DOCUMENTS

CN 303725014 * 6/2016
 EM 000038906-0002 * 10/2003
 GB 2037355 * 6/1994
 WO WO D034910-022 * 2/2017

OTHER PUBLICATIONS

Wooden Grill Scraper, Pampered Chef US Site, reviews 2017, www.pamperedchef.com/shop/Outdoor/BBQ-Tools/Wooden-Grill-Scraper, site visited Jul. 2, 2018.*
 Ultimate Cleaning BBQ Tool [online], site visited [Jun. 28, 2017]. Available from Internet URL: https://www.amazon.com/Great-Scrape-Woody-Paddle-Natural/dp/B013S1SM4I/ref=sr_1_3?ie=UTF8&qid=1498679621&sr=8-3.
 Great Scrape The Woody Paddle All Natural BBQ Grill Scraper [online], site visited [Jun. 28, 2017]. Available from Internet URL: https://www.amazon.com/Ultimate-Cleaning-BBQ-Tool/dp/B0728C5VQN/ref=sr_1_6?ie=UTF8&qid=1498679621&sr=8-6.
 Grill Hog Cedar BBQ GRill Scraper [online], site visited [Jun. 28, 2017]. Available from Internet URL: https://www.amazon.com/Grill-Hog-Cedar-BBQ-Scraper/dp/B06XCBPQNS/ref=sr_1_7?ie=UTF8&qid=1498679621&sr=8-7.

* cited by examiner



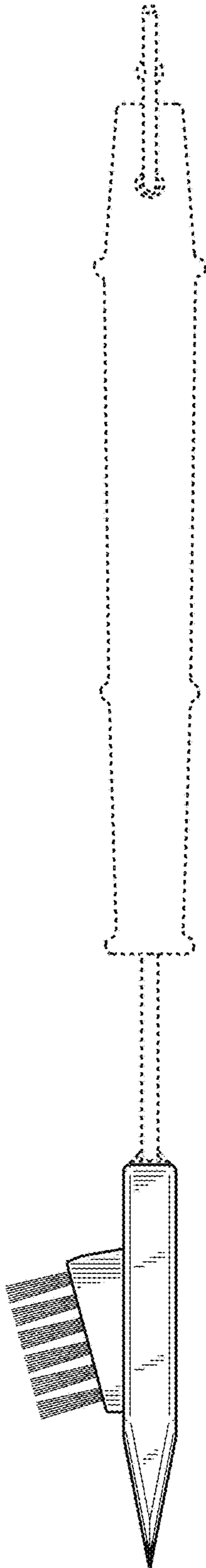


FIG. 3

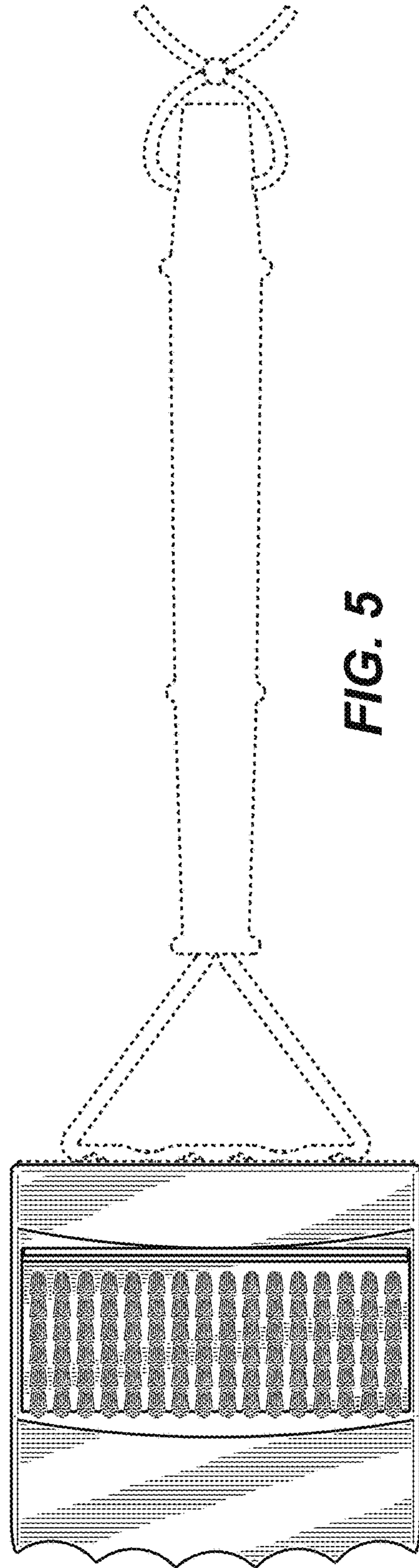


FIG. 5

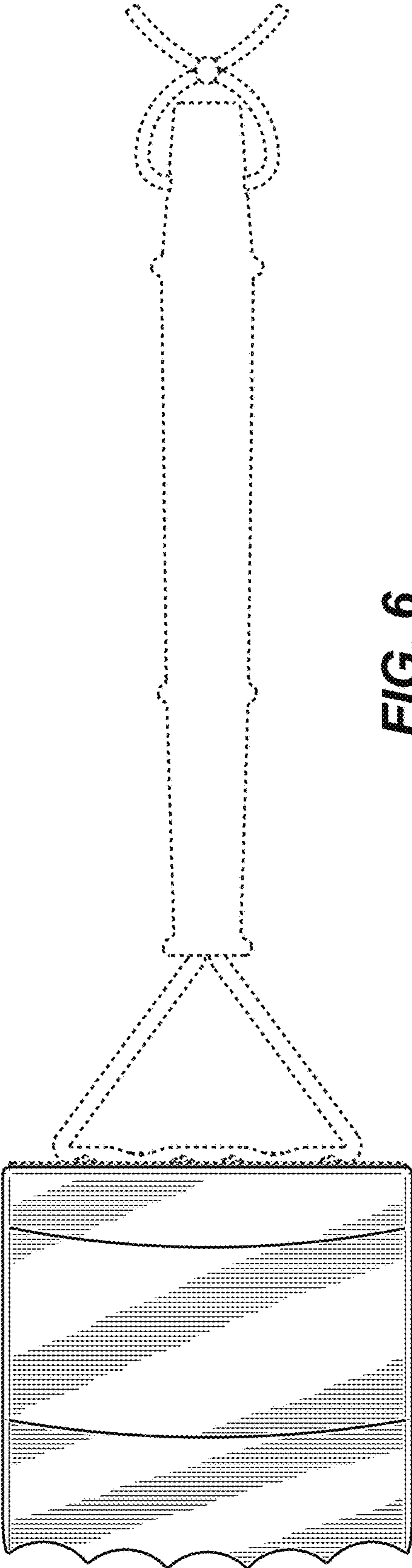


FIG. 6

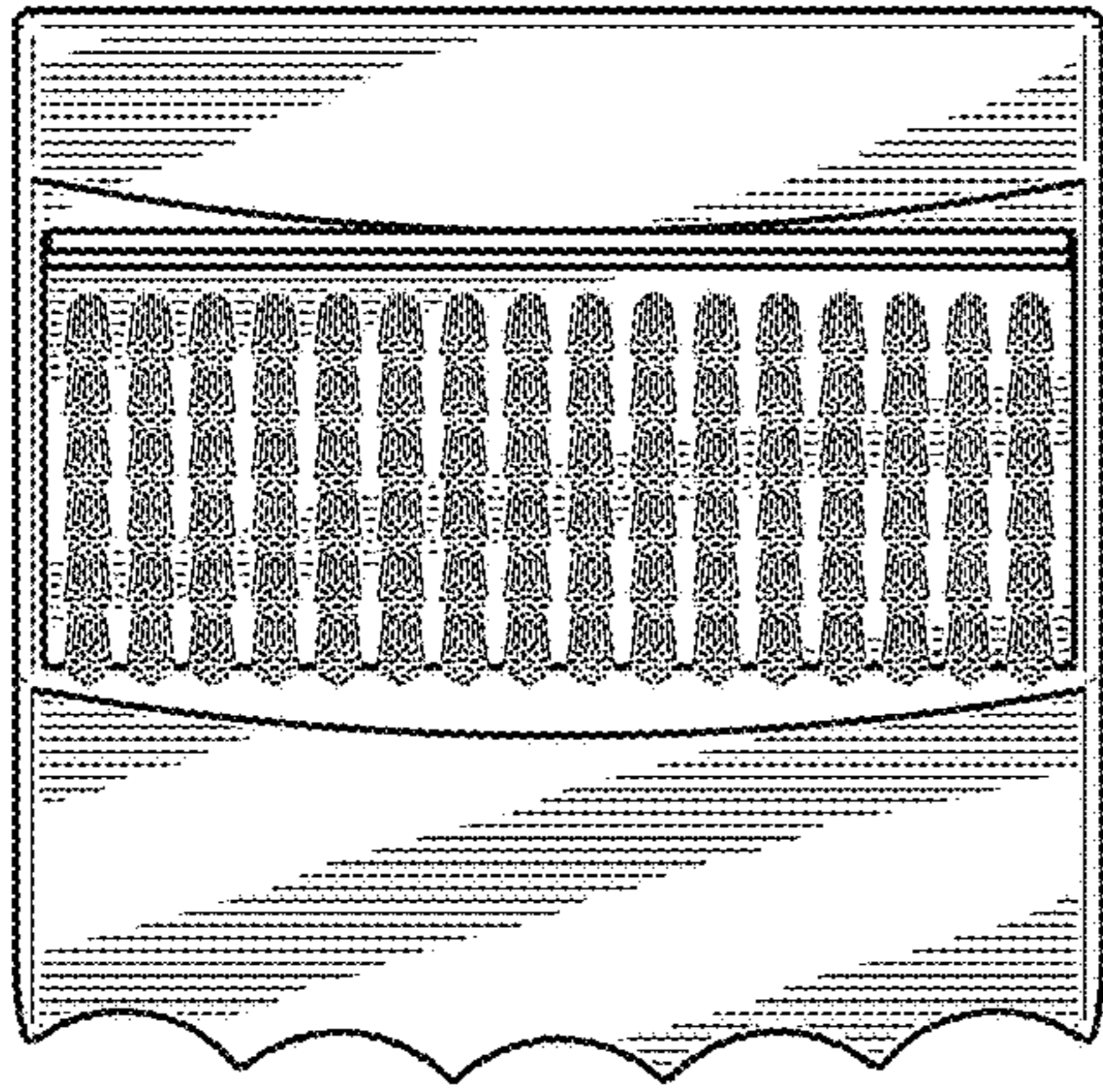


FIG. 11

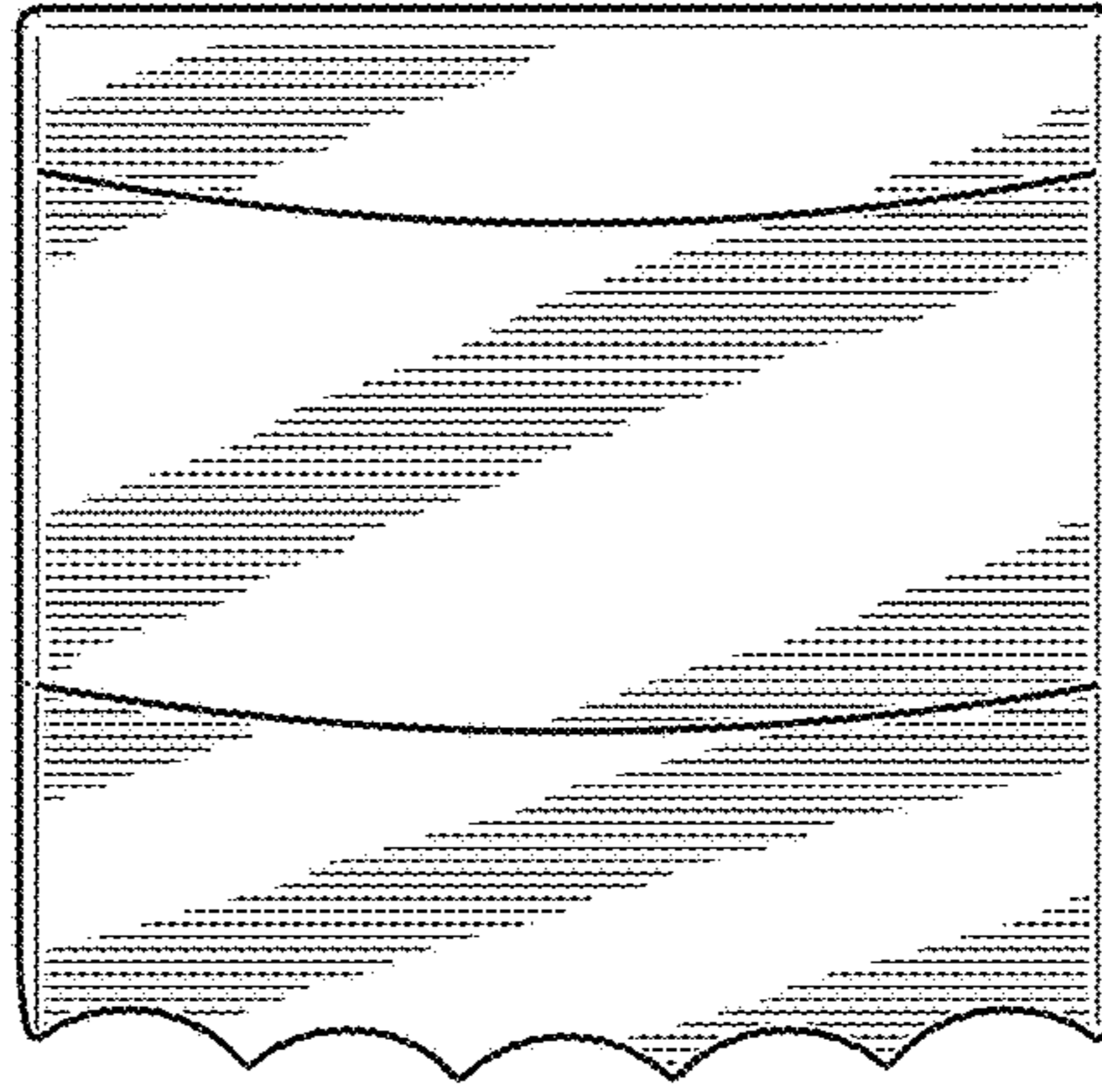


FIG. 12

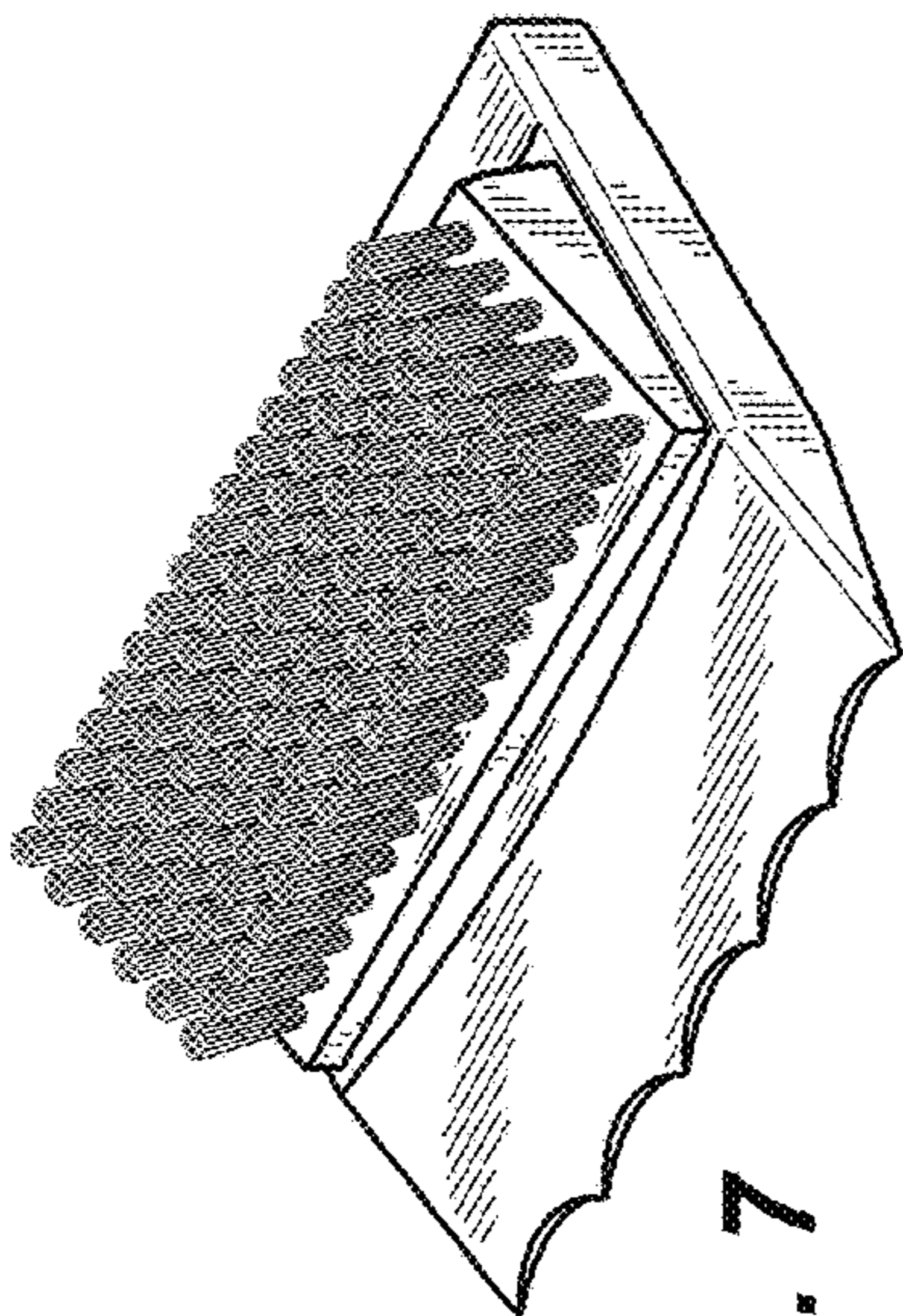


FIG. 7

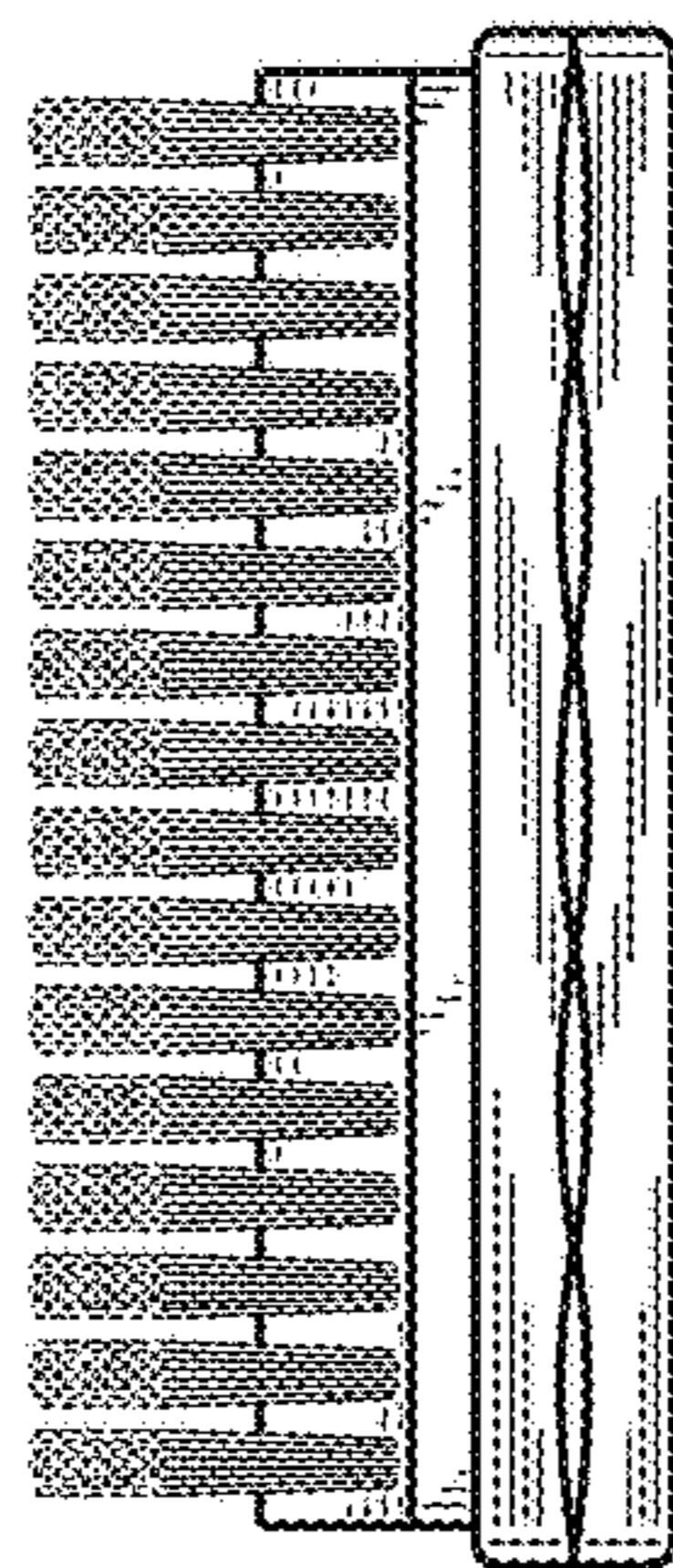


FIG. 8

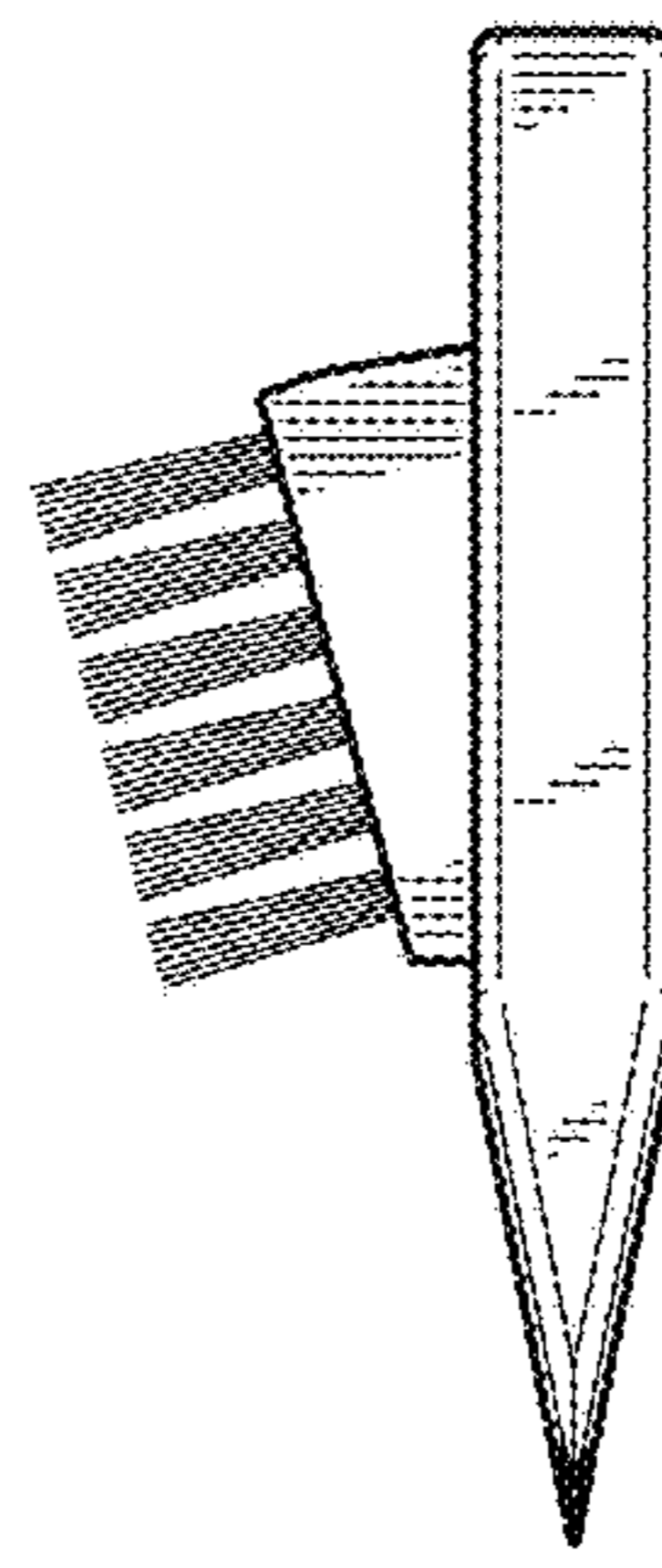


FIG. 9

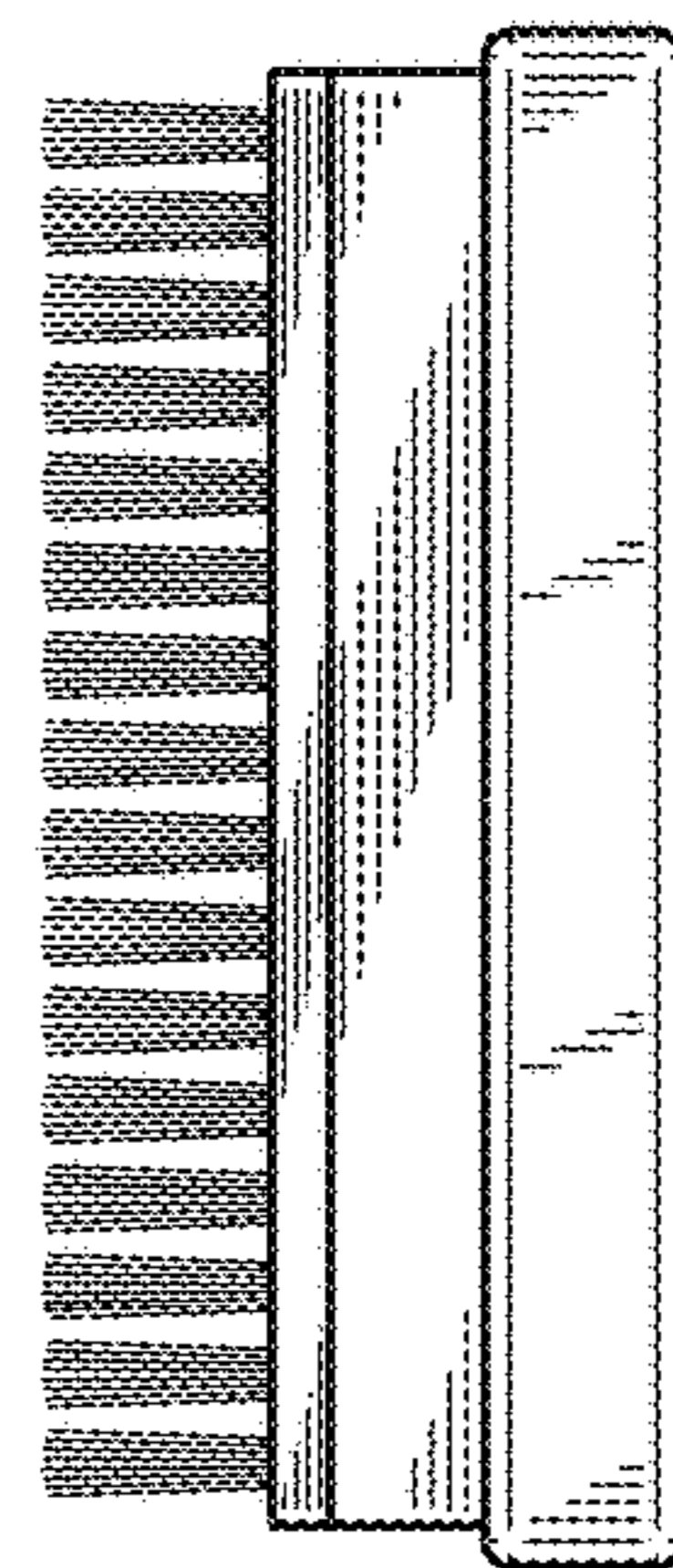


FIG. 10