



US00D860563S

(12) **United States Design Patent**
Kim

(10) **Patent No.:** **US D860,563 S**

(45) **Date of Patent:** **** Sep. 17, 2019**

- (54) **MOP**
- (71) Applicant: **Ilkwon Kim**, Los Angeles, CA (US)
- (72) Inventor: **Ilkwon Kim**, Los Angeles, CA (US)
- (**) Term: **15 Years**
- (21) Appl. No.: **29/621,466**
- (22) Filed: **Oct. 9, 2017**
- (51) **LOC (12) Cl.** **07-05**
- (52) **U.S. Cl.**
USPC **D32/40**
- (58) **Field of Classification Search**
USPC D32/40-43, 45-46, 50-52; D4/118;
D24/217, 231; D8/11, 9; D20/17, 22,
D20/28, 41, 99
CPC . B08B 1/00; A61B 90/70; A47L 13/17; A47L
13/16
See application file for complete search history.

- 6,029,308 A * 2/2000 Smith A47L 13/24
15/145
 - D464,181 S * 10/2002 Ng D32/40
 - D467,396 S * 12/2002 Savage D32/51
 - 7,404,227 B2 * 7/2008 Otsuka A47L 13/20
15/208
 - D586,966 S * 2/2009 Nobile D32/40
 - 7,650,665 B2 * 1/2010 Morris A47L 13/254
15/144.2
 - D614,371 S * 4/2010 Blom D32/51
 - 8,069,520 B2 * 12/2011 Mattucci A46B 5/0054
15/22.1
 - D740,052 S * 10/2015 Jalbert D6/582
 - D757,618 S * 5/2016 Richardson D12/183
- (Continued)

OTHER PUBLICATIONS

Microfiber Wet/Dry Mop, Cleaner Home Living Butler website 2019, <http://mrclean.cleanerhomeliving.com/microfiber-wet-dry-mop.html>, site visited Feb. 4, 2019.*

Primary Examiner — John Windmuller
Assistant Examiner — John R Yeh

(56) **References Cited**
U.S. PATENT DOCUMENTS

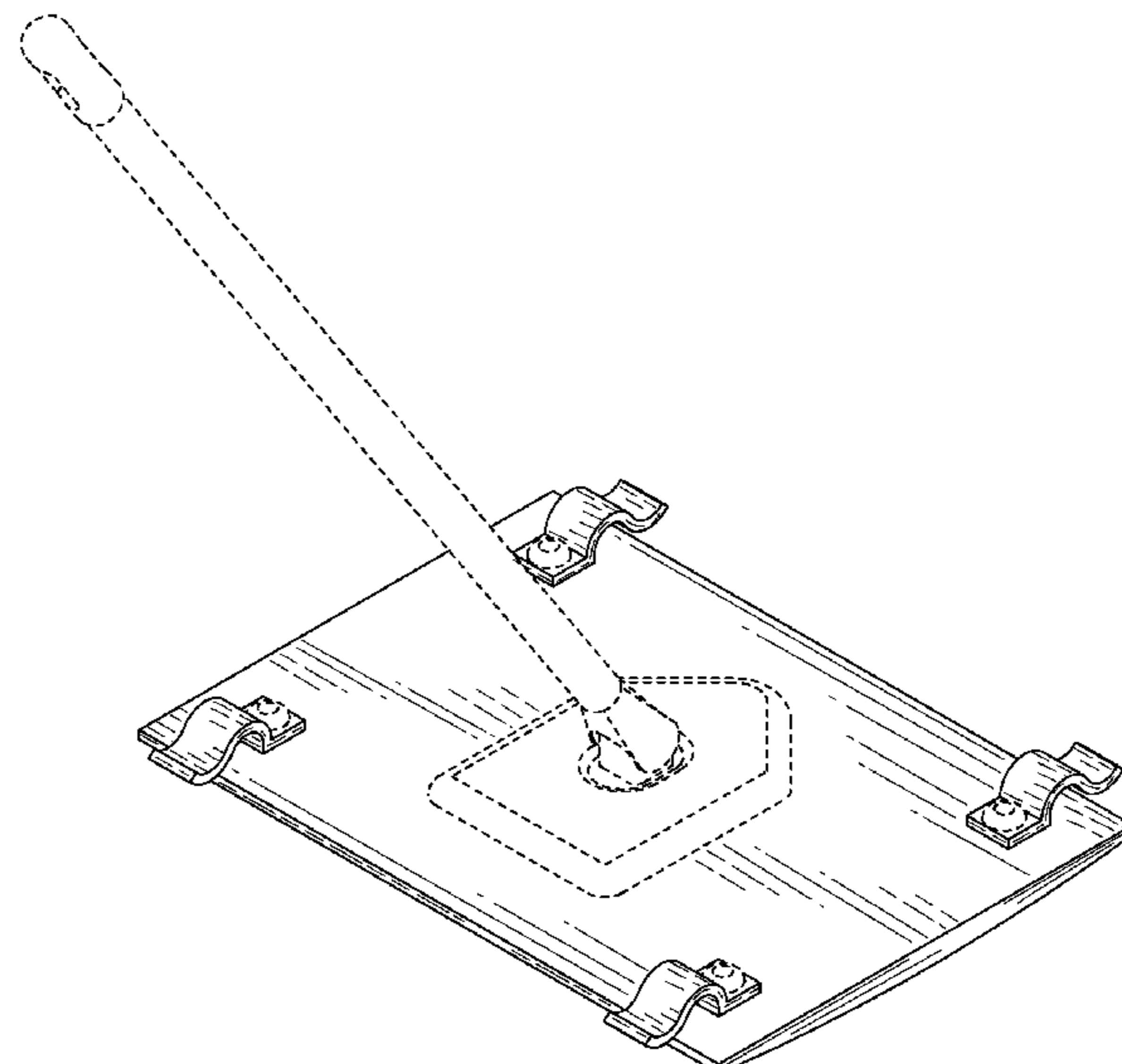
- 1,331,477 A * 2/1920 Albin A47L 13/23
15/115
- 1,674,964 A * 6/1928 Ewing A47L 13/255
15/229.2
- 2,723,762 A * 11/1955 Leiser A47B 81/02
211/65
- 3,737,938 A * 6/1973 Saltzstein A47L 13/256
15/231
- 4,114,223 A * 9/1978 Buchanan A47L 13/20
15/228
- 4,852,210 A * 8/1989 Krajicek A47L 13/20
15/228
- D312,156 S * 11/1990 Dowlat D32/40
- 4,970,750 A * 11/1990 Davis, III A47L 13/16
15/228
- D368,561 S * 4/1996 Hodges D32/50
- D384,457 S * 9/1997 Morissette D32/51

(57) **CLAIM**
The ornamental design for a mop, as shown and described.

DESCRIPTION

FIG. 1 is a top perspective view of a mop showing my new design;
FIG. 2 is a front view thereof;
FIG. 3 is a back view thereof;
FIG. 4 is a top view thereof;
FIG. 5 is a bottom view thereof;
FIG. 6 is a right view thereof;
FIG. 7 is a left view thereof; and,
FIG. 8 is a bottom perspective view thereof.
The broken lines in the figures represent portions of the mop that form no part of the claimed design.

1 Claim, 8 Drawing Sheets



(56)

References Cited

U.S. PATENT DOCUMENTS

D759,329 S * 6/2016 Colangelo D32/50
10,045,678 B2 * 8/2018 Hay A47L 13/256

* cited by examiner

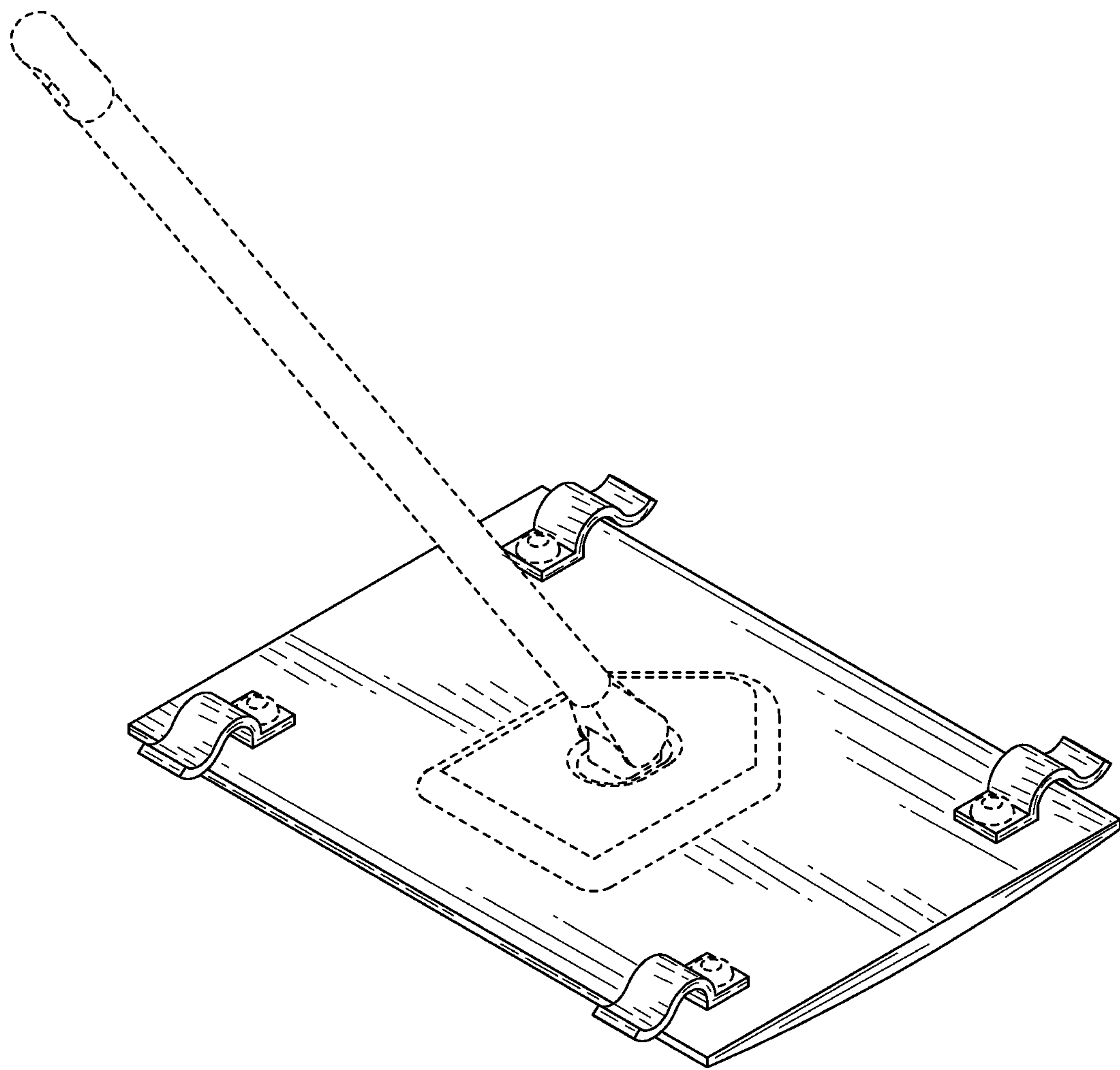


FIG. 1

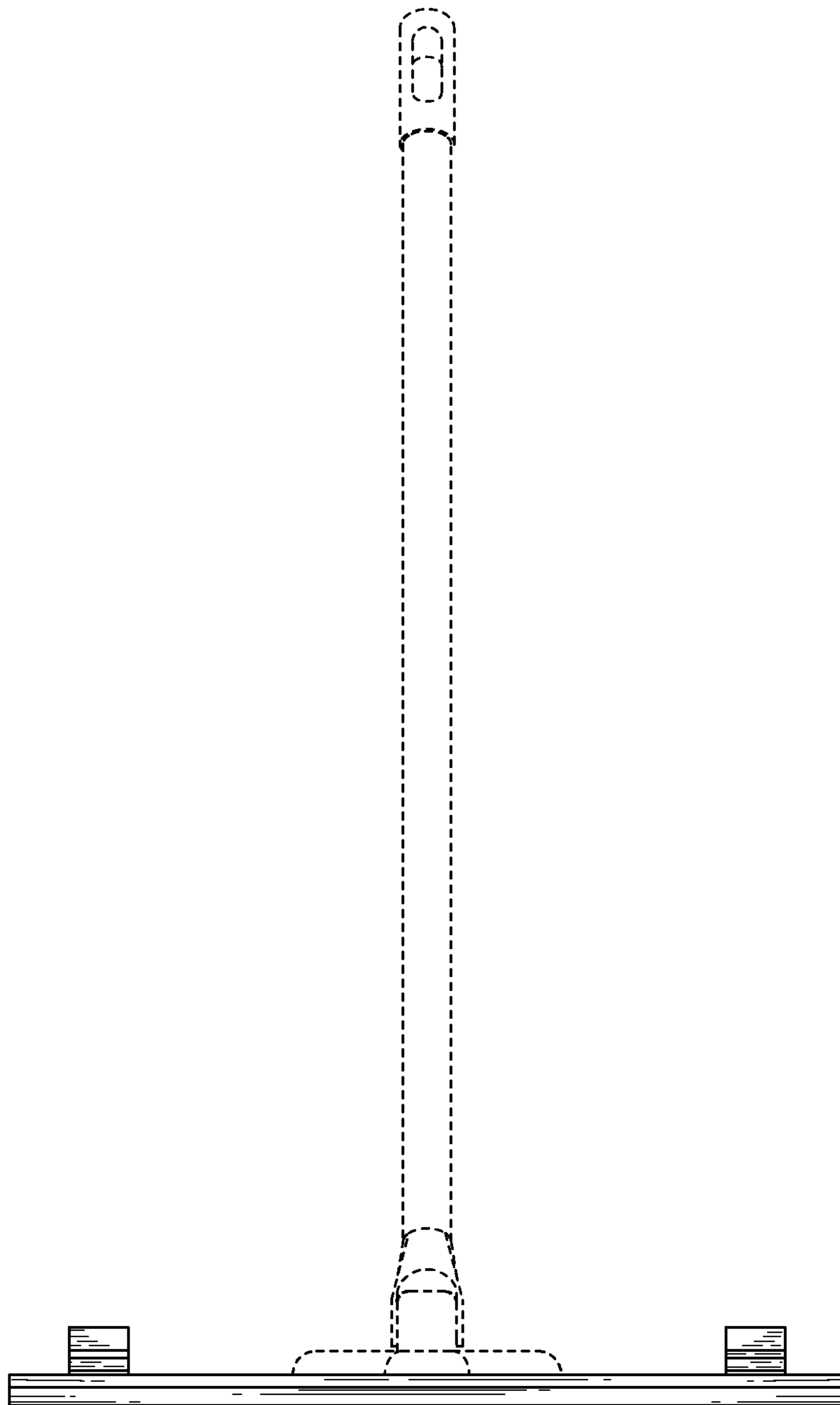


FIG. 2

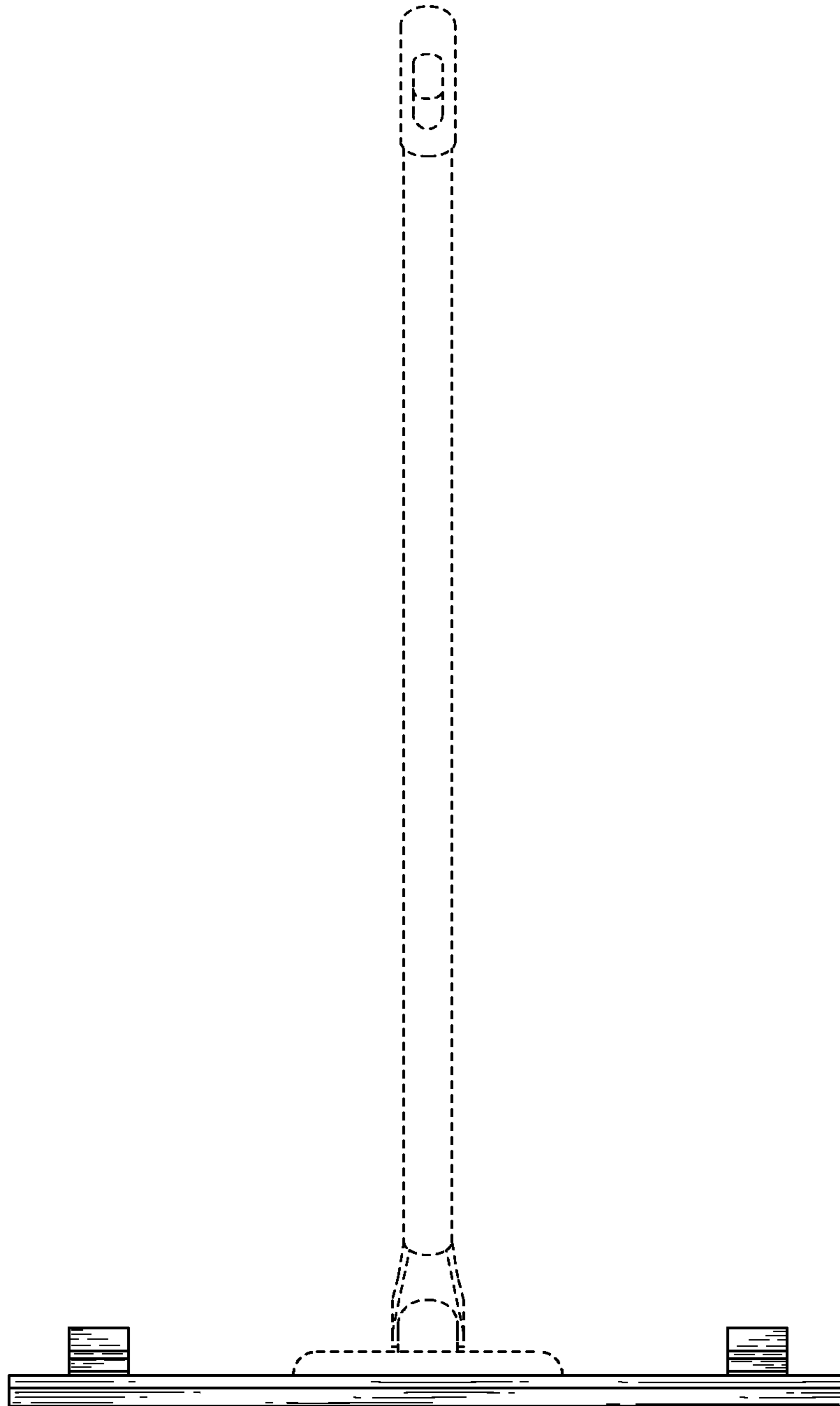


FIG. 3

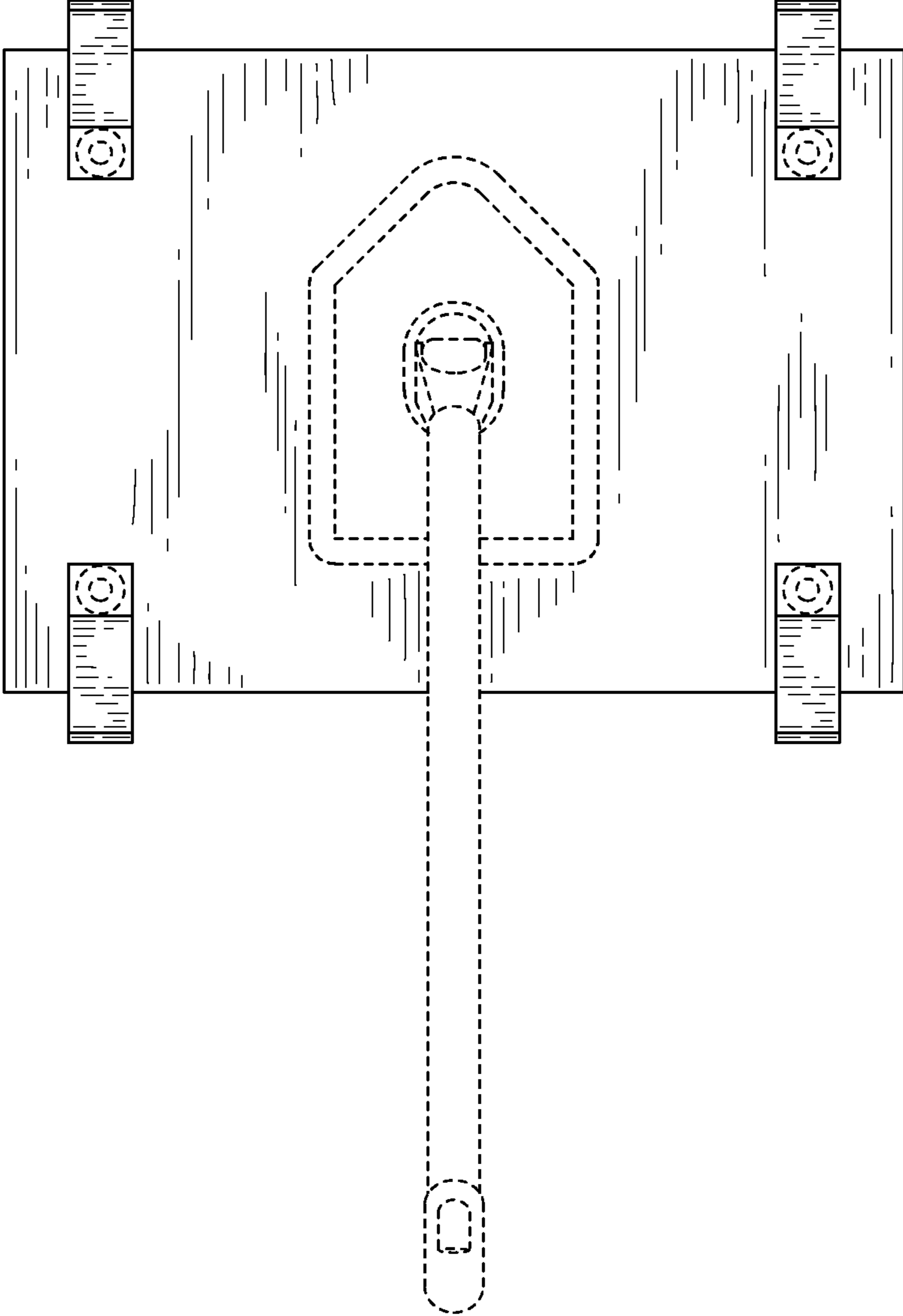


FIG. 4

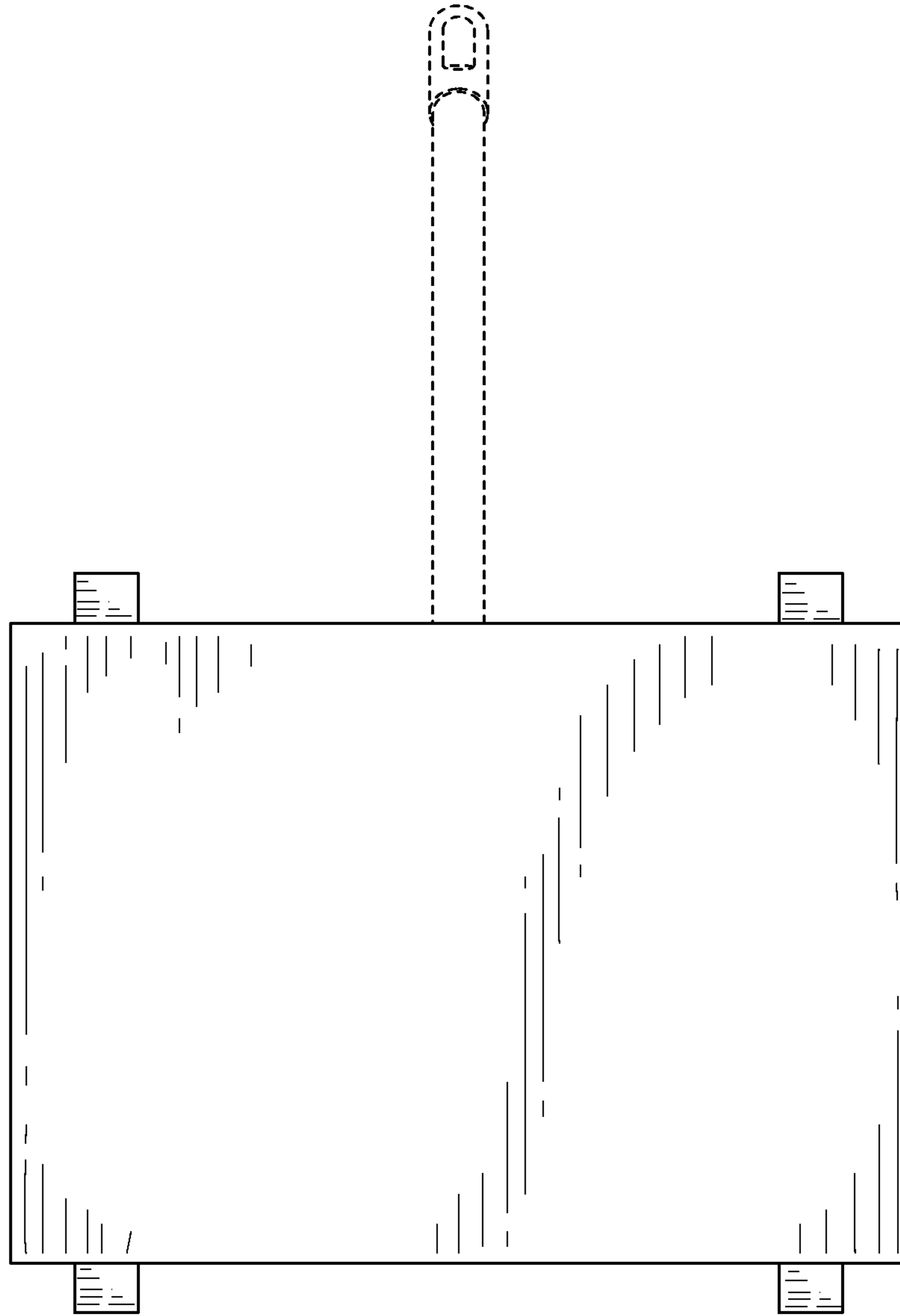


FIG. 5

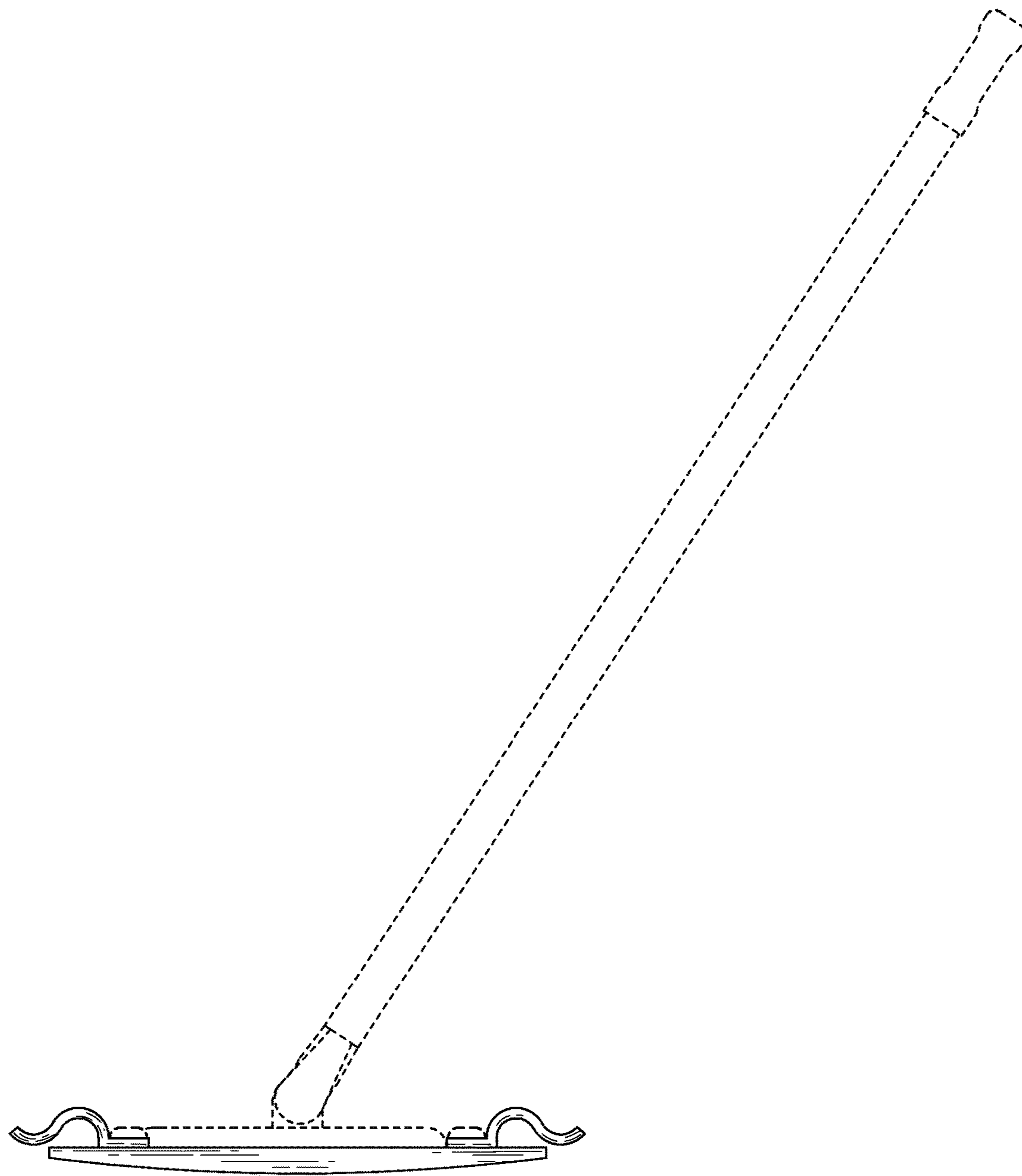


FIG. 6

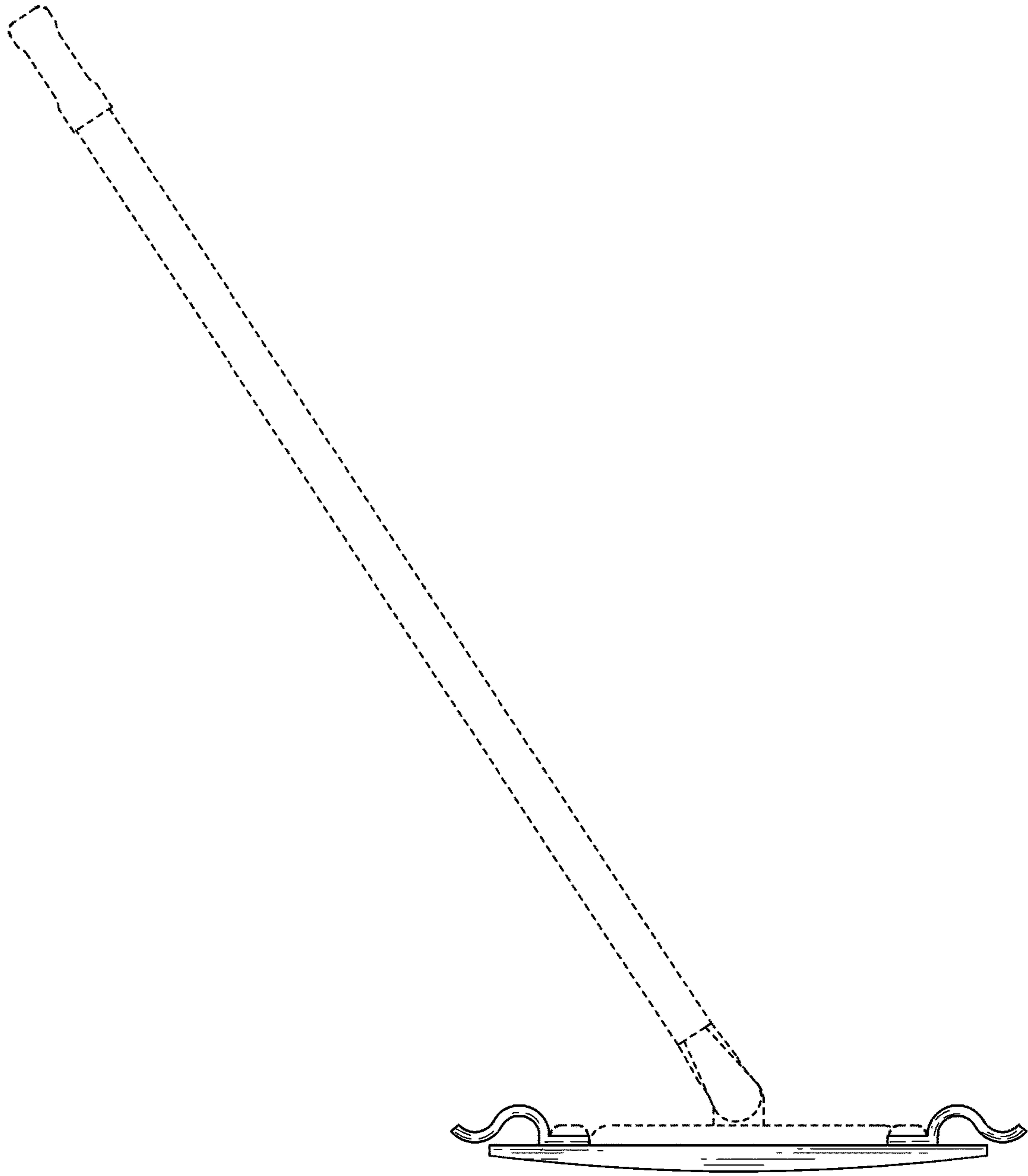


FIG. 7

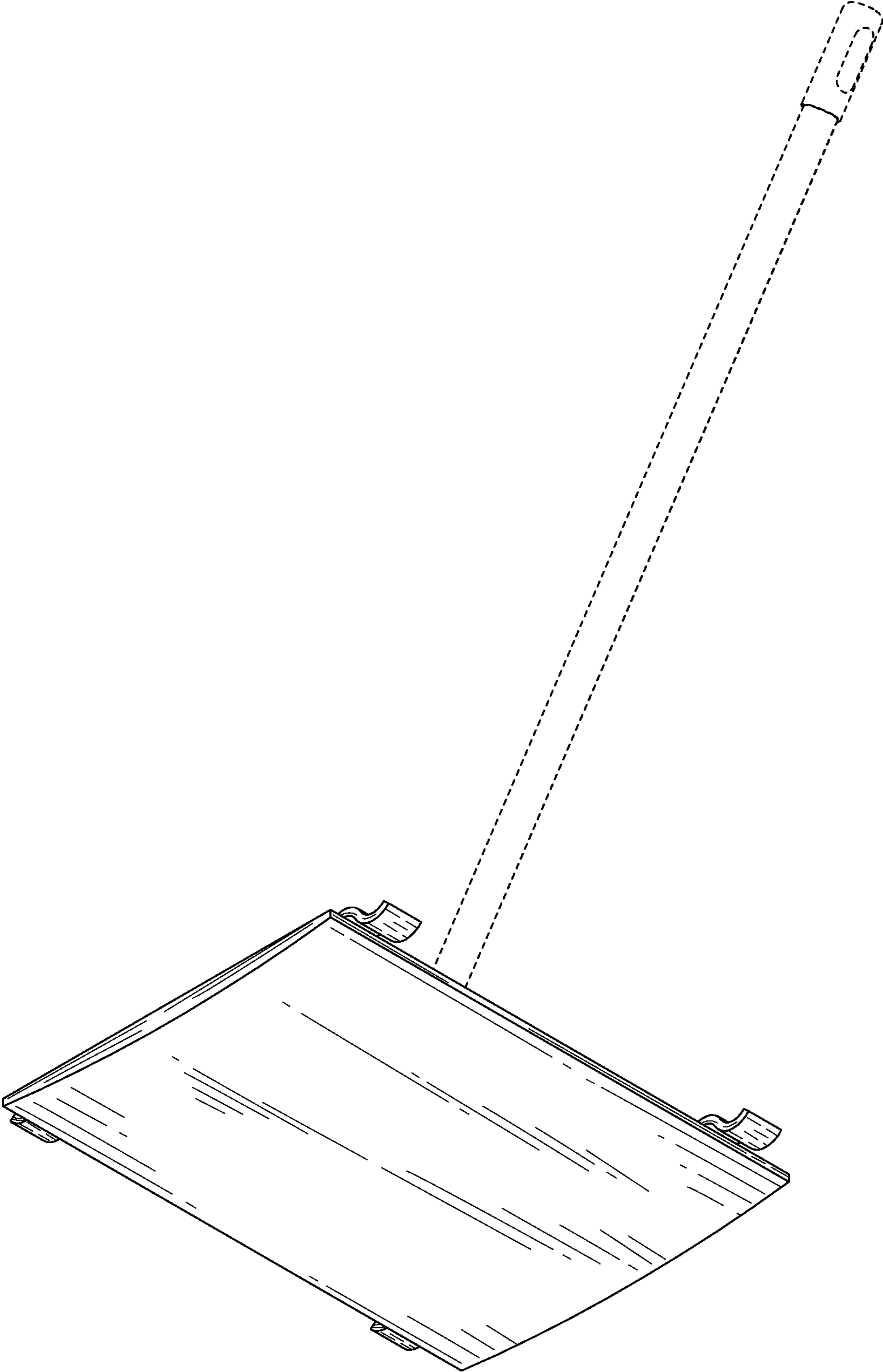


FIG. 8