

US00D860562S

(12) **United States Design Patent** (10) **Patent No.:** **US D860,562 S**
Rasmussen et al. (45) **Date of Patent:** **** Sep. 17, 2019**

(54) **VACUUM WAND**
(71) Applicant: **Kärcher North America, Inc.**, Denver, CO (US)
(72) Inventors: **Michael Rasmussen**, Denver, CO (US); **Manuel Schulze**, Aurora, CO (US); **John Guilford**, Denver, CO (US); **Sheri Huther**, Westminster, CO (US); **Adam Bearup**, Lakewood, CO (US)

6,108,861 A 8/2000 Vystrcil et al.
D433,546 S * 11/2000 Milanese D32/17
6,237,962 B1 5/2001 Lim
6,565,123 B2 5/2003 Schiemann et al.
7,000,288 B2 2/2006 Nighy
7,275,279 B2 10/2007 Genoa et al.
D561,415 S * 2/2008 Tavano D32/34
7,350,267 B2 4/2008 Evans
D611,665 S * 3/2010 Braithwaite D32/18
7,891,050 B2 2/2011 Liddell
D635,728 S * 4/2011 Fjellman D32/22
D653,825 S * 2/2012 Cho D32/22

(73) Assignee: **Kärcher North America, Inc.**, Denver, CO (US)

(**) Term: **15 Years**

CA 2439247 9/2002
CA 138955 8/2011

(21) Appl. No.: **29/618,131**

(Continued)

(22) Filed: **Sep. 19, 2017**

Primary Examiner — Ruth McInroy
(74) *Attorney, Agent, or Firm* — Sheridan Ross P.C.

(51) **LOC (12) Cl.** **15-05**

(52) **U.S. Cl.**
USPC **D32/34**

(58) **Field of Classification Search**
USPC D32/17-18, 22, 31-34; D8/61-62, 66; 15/302, 321
CPC ... A47L 5/24; A47L 5/225; A47L 5/36; A47L 5/28; A47L 9/32; A47L 9/325; A47L 9/327; A47L 9/244

See application file for complete search history.

(57) **CLAIM**

The ornamental design for a vacuum wand, as shown and described.

DESCRIPTION

FIG. 1 is a front perspective view of a vacuum wand showing our new design;
FIG. 2 is a front elevation view thereof;
FIG. 3 is a rear elevation view thereof;
FIG. 4 is a right side elevation view thereof;
FIG. 5 is a left side elevation view thereof;
FIG. 6 is a top plan view thereof;
FIG. 7 is a bottom plan view thereof; and,
FIG. 8 is a front perspective view thereof in an alternate position.

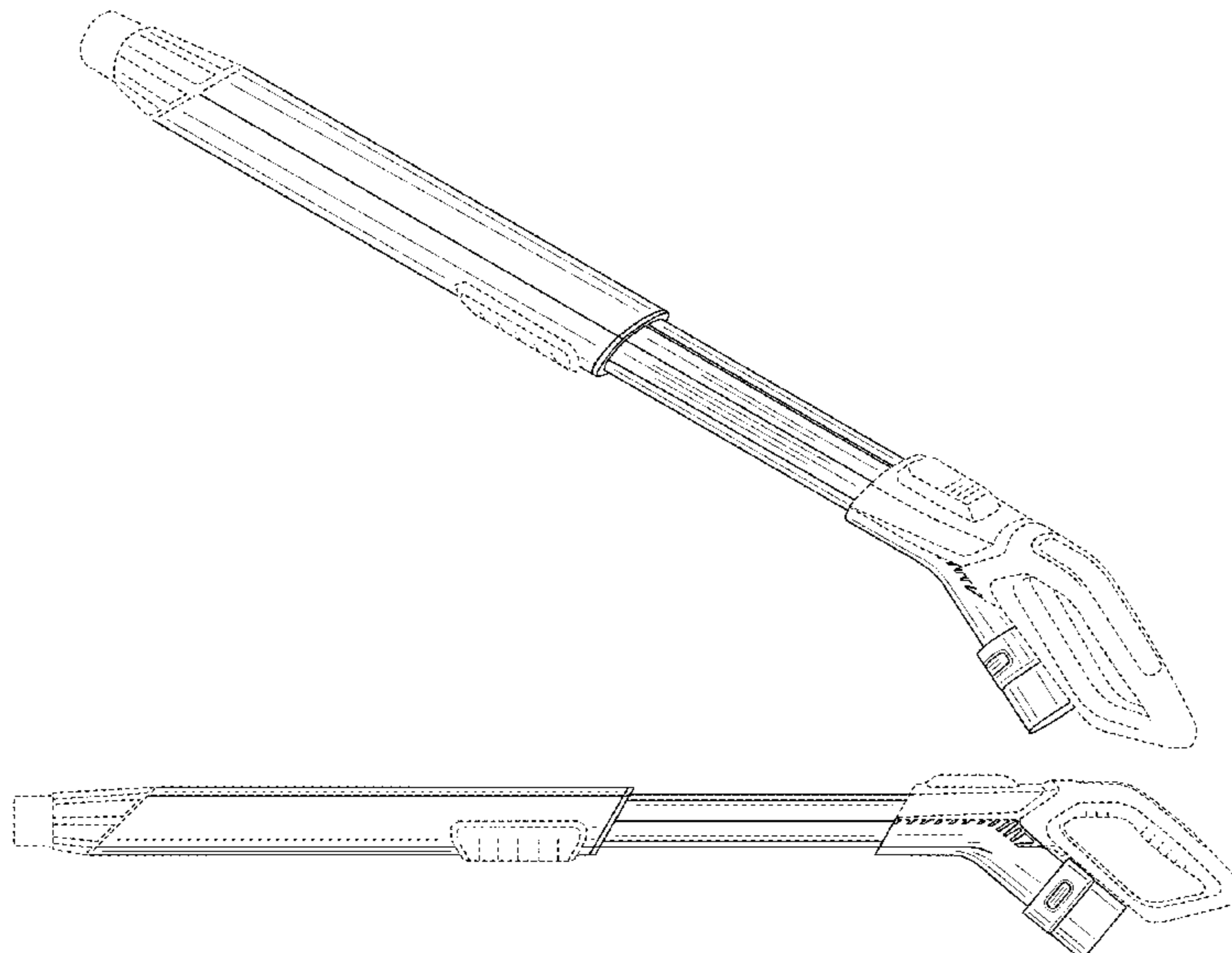
The broken lines showing the vacuum wand are included for the purpose of illustrating environment and form no part of the claimed design.

(56) **References Cited**

U.S. PATENT DOCUMENTS

3,633,942 A 1/1972 Meyerhoefer
4,079,965 A 3/1978 Moughty et al.
4,165,140 A 8/1979 Lyman et al.
4,880,258 A 11/1989 Tillman et al.
5,462,311 A 10/1995 Cipolla
5,551,731 A 9/1996 Gray et al.
5,690,545 A 11/1997 Clowers et al.
5,836,620 A 11/1998 Wang et al.
D419,731 S * 1/2000 Bates D32/22

1 Claim, 5 Drawing Sheets



(56)

References Cited

U.S. PATENT DOCUMENTS

8,225,457	B2	7/2012	Sanderson et al.	
D682,496	S *	5/2013	Bassett	D32/22
D693,977	S *	11/2013	Chu	D32/34
D703,890	S *	4/2014	Shin	D32/18
8,708,373	B2	4/2014	Stickney et al.	
8,720,002	B2	5/2014	Gammack et al.	
8,943,646	B2	2/2015	Wills et al.	
8,959,708	B2	2/2015	Ventress et al.	
9,066,644	B2	6/2015	McLuckie et al.	
D743,125	S *	11/2015	Lee	D32/22
D745,232	S *	12/2015	Yoon	D32/22
9,339,161	B2	5/2016	McLuckie et al.	
D772,510	S *	11/2016	Palladino	D32/31
D792,667	S *	7/2017	Genoa	D32/22
9,883,781	B2 *	2/2018	Thorne	A47L 9/16
10,080,471	B2 *	9/2018	Reimer	A47L 5/225
2002/0069477	A1	6/2002	Smith et al.	
2007/0130724	A1	6/2007	Schiemann	
2007/0157425	A1	7/2007	Battle	
2009/0072528	A1	3/2009	Stickney et al.	
2015/0201817	A1	7/2015	Khalil	
2017/0127898	A1	5/2017	Lambert et al.	
2017/0127899	A1	5/2017	Lambert et al.	
2017/0172362	A1	6/2017	Reimer et al.	

FOREIGN PATENT DOCUMENTS

CA	2843333	9/2014
EP	1875849	4/2014
EP	2727509	5/2014
JP	2008-307218	12/2008
JP	2009-172378	8/2009
WO	WO 2017/109582	6/2017

* cited by examiner

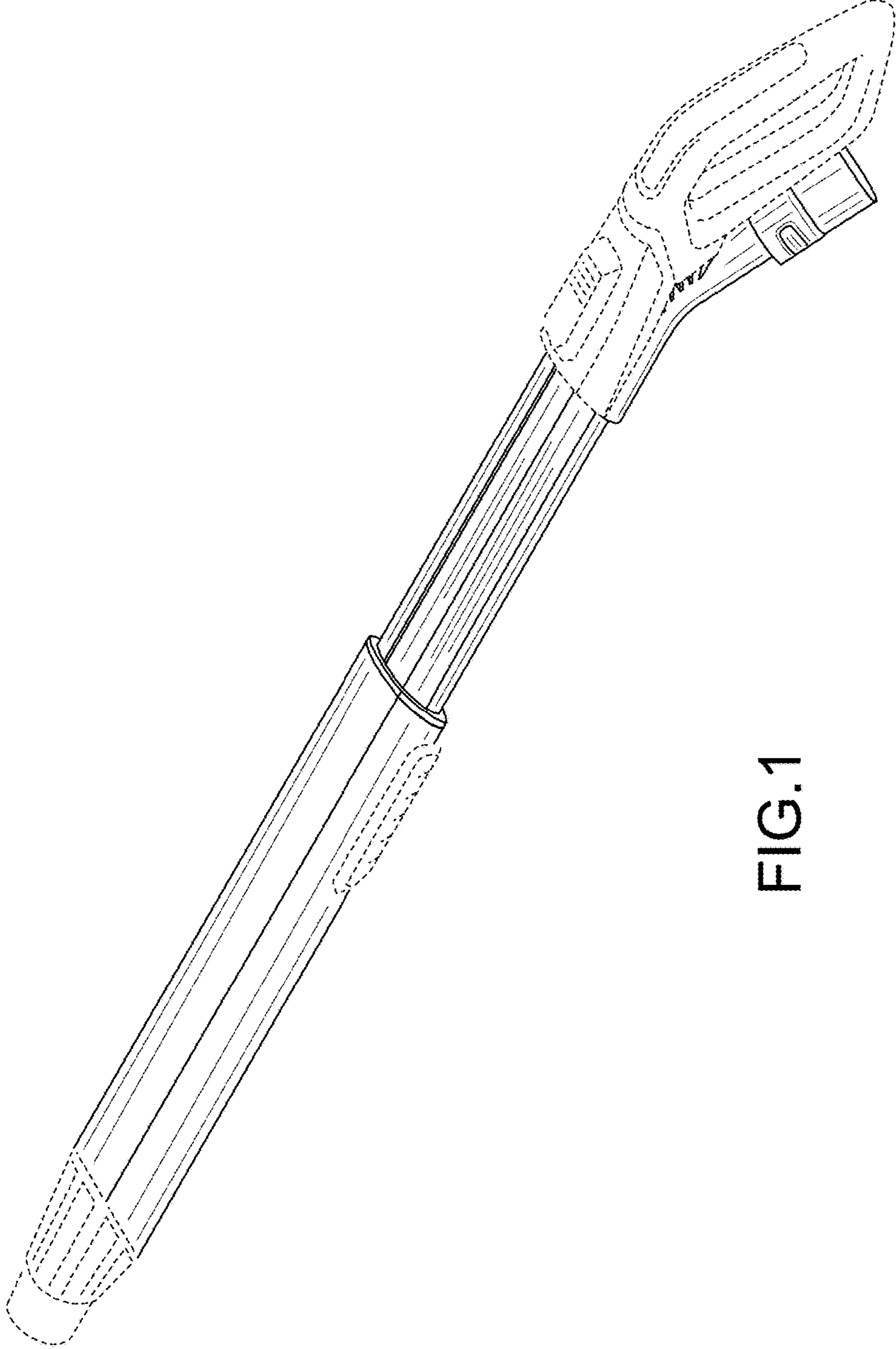


FIG.1

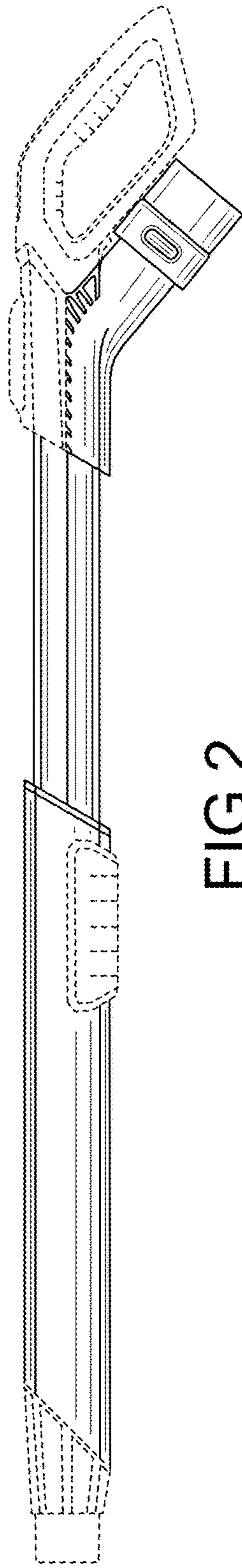


FIG. 2

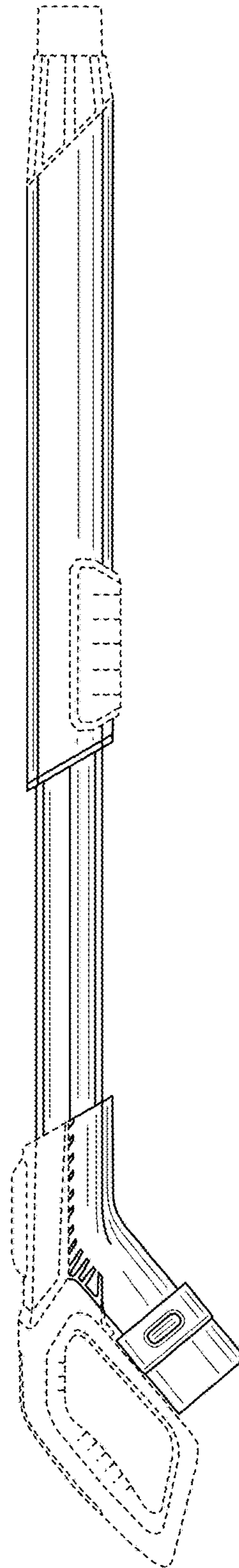


FIG. 3

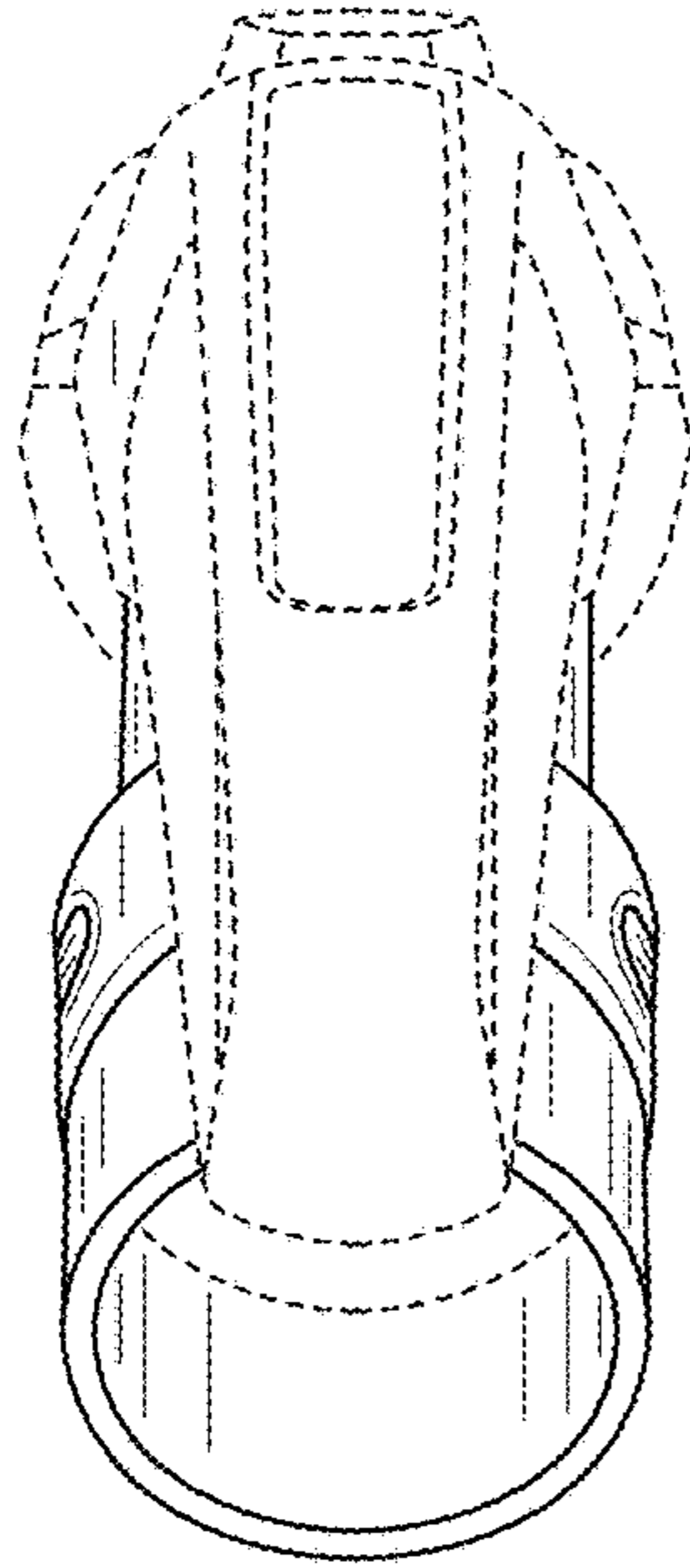


FIG. 4

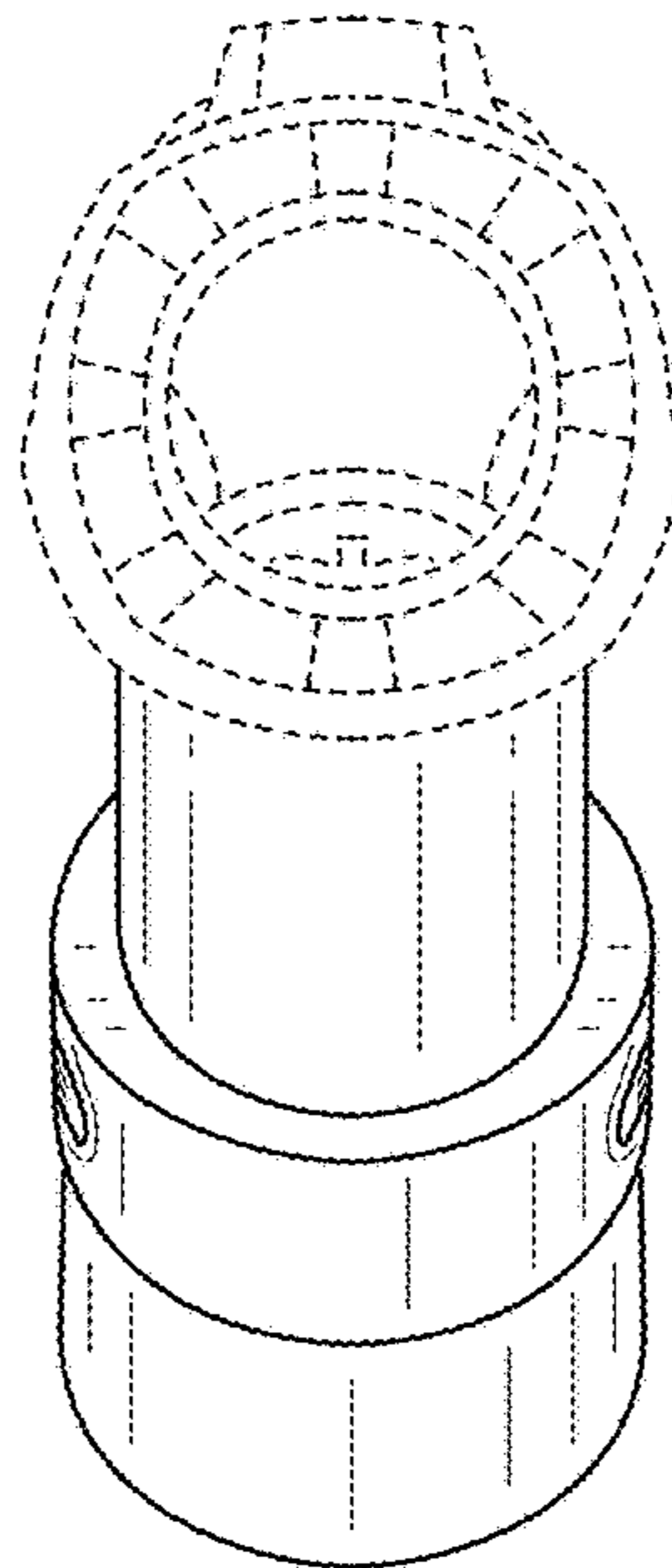


FIG. 5

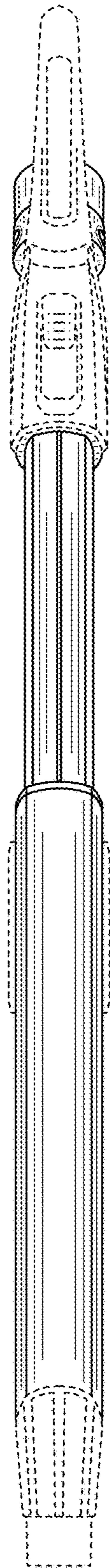


FIG. 6

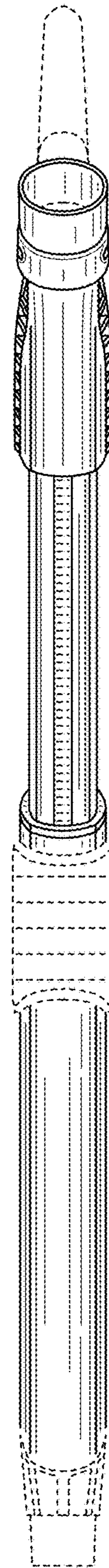


FIG. 7

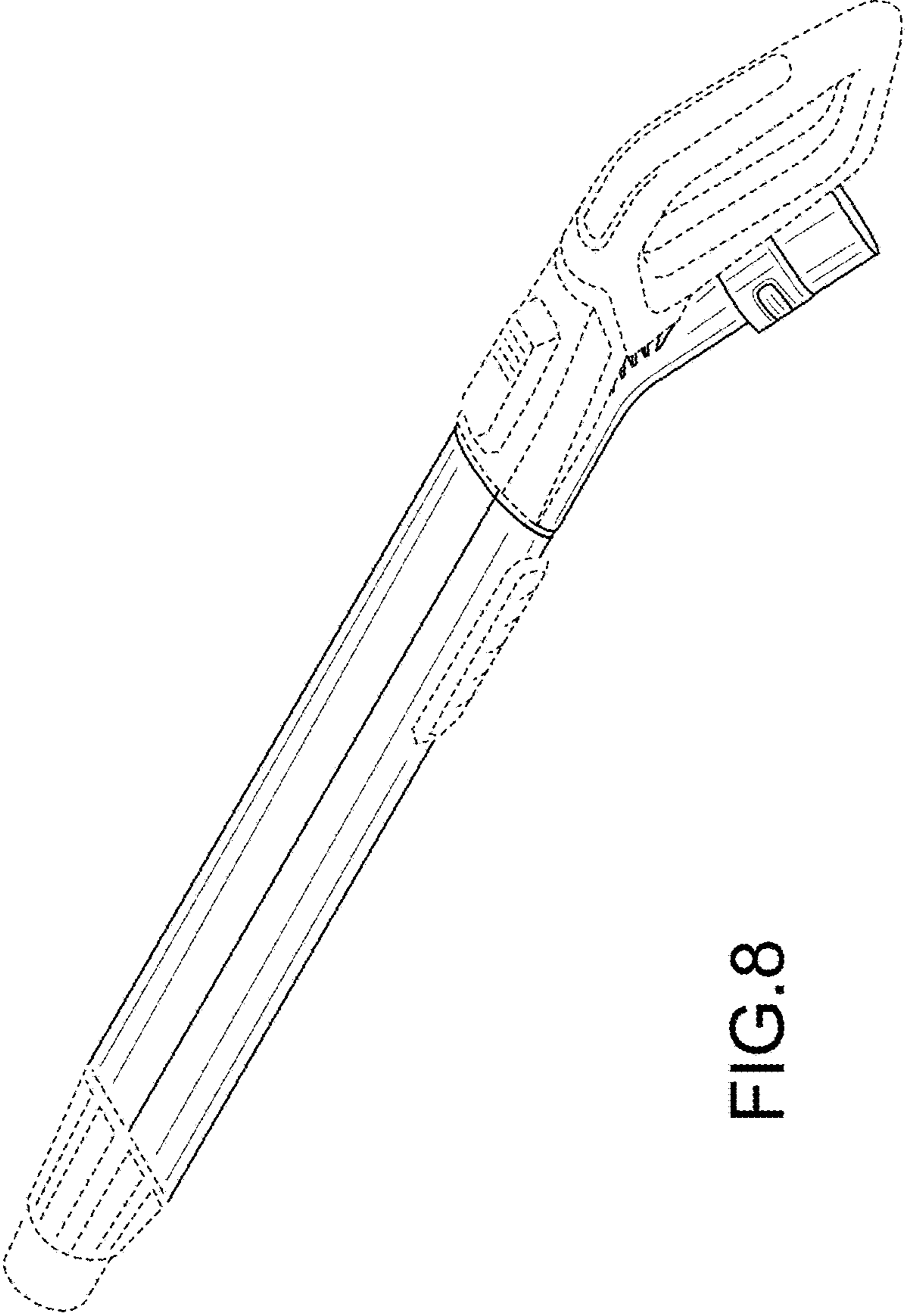


FIG.8