



US00D860559S

(12) **United States Design Patent** (10) **Patent No.:** **US D860,559 S**
Thackray et al. (45) **Date of Patent:** **** Sep. 17, 2019**

(54) **ROBOTIC VACUUM CLEANER**
(71) Applicant: **KONINKLIJKE PHILIPS N.V.**,
Eindhoven (NL)
(72) Inventors: **Donald Thackray**, Zuidlaren (NL);
Scott McLachlan, Amersfoort (NL)
(73) Assignee: **KONINKLIJKE PHILIPS N.V.**,
Eindhoven (NL)
(**) Term: **15 Years**
(21) Appl. No.: **35/501,769**
(22) Filed: **Apr. 27, 2016**
(80) **Hague Agreement Data**
Int. Filing Date: **Apr. 27, 2016**
Int. Reg. No.: **DM/090487**
Int. Reg. Date: **Apr. 27, 2016**
Int. Reg. Pub. Date: **Oct. 28, 2016**

(30) **Foreign Application Priority Data**
Nov. 2, 2015 (EM) 002845230-0001
(51) **LOC (12) Cl.** **15-05**
(52) **U.S. Cl.**
USPC **D32/21**
(58) **Field of Classification Search**
USPC D32/15, 17, 18, 21, 22, 31-34
CPC .. A47L 19/02; A47L 19/2842; A47L 19/0461;
A47L 5/24; E04H 4/1654; E04H 4/169;
E04H 4/1609; E04H 4/1618; E04H
4/1636; E04H 4/16; E01H 1/0836
See application file for complete search history.

(56) **References Cited**
U.S. PATENT DOCUMENTS
D488,268 S * 4/2004 Chen D32/15
D669,235 S * 10/2012 Bassett D32/21

D690,478 S * 9/2013 Li D32/21
D704,400 S * 5/2014 Shin D32/21
D714,002 S * 9/2014 Casini D32/21
D714,003 S * 9/2014 Casini D32/21
D746,522 S * 12/2015 Erlich D32/15
D771,333 S * 11/2016 Verhoorn D32/21
D781,512 S * 3/2017 Neumann D32/21
2005/0235451 A1 * 10/2005 Yan A47L 9/009
15/319
2012/0086389 A1 * 4/2012 Li A47L 9/2805
320/107
2012/0199006 A1 * 8/2012 Swett A47L 9/106
96/417
2012/0311813 A1 * 12/2012 Gilbert, Jr. A47L 9/0477
15/347
2016/0051110 A1 * 2/2016 Cao A47L 9/009
15/324
2016/0157692 A1 * 6/2016 Maoro A47L 9/0472
15/300.1
2017/0238780 A1 * 8/2017 Gilbert, Jr. A47L 11/4041

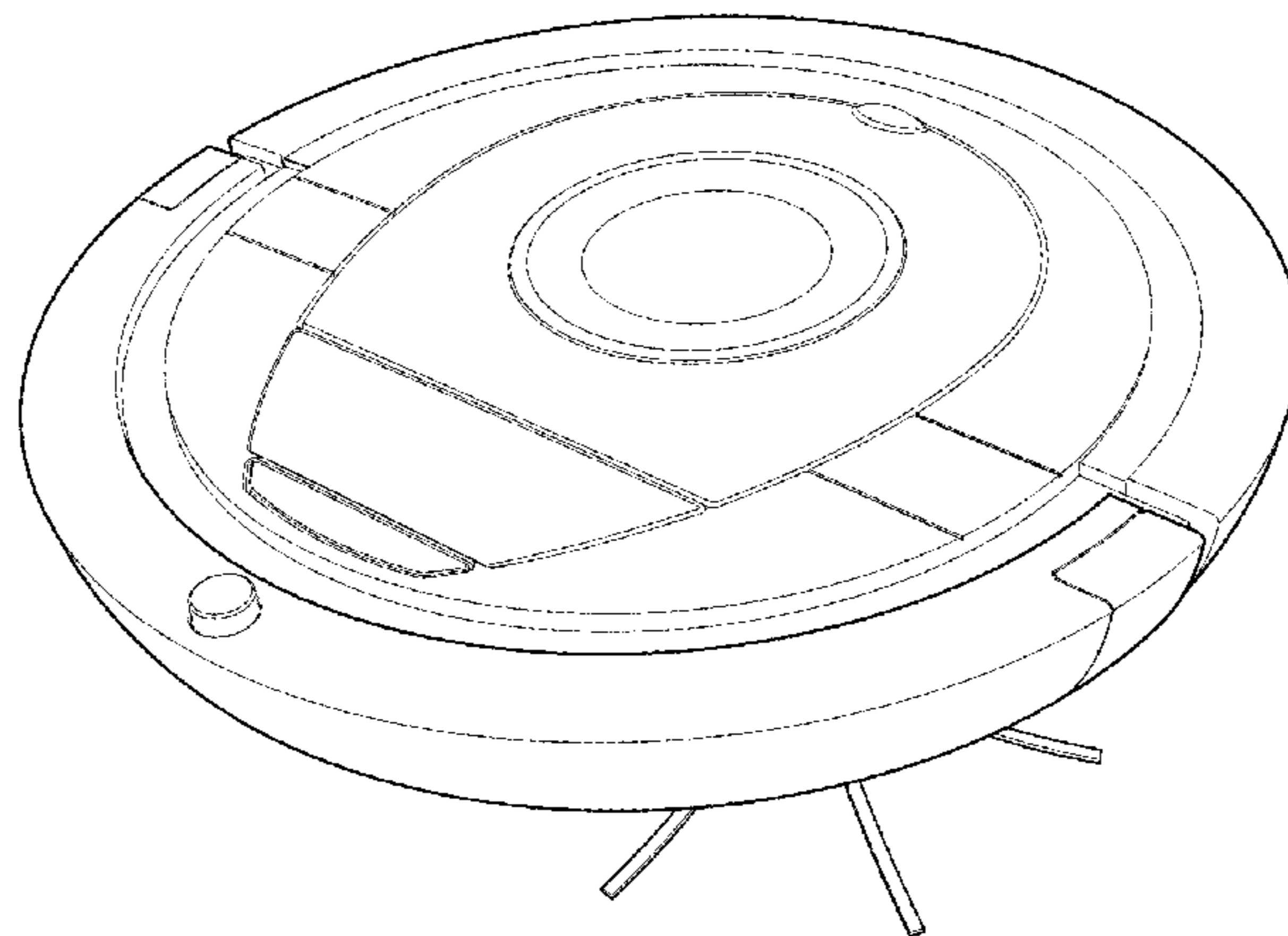
* cited by examiner

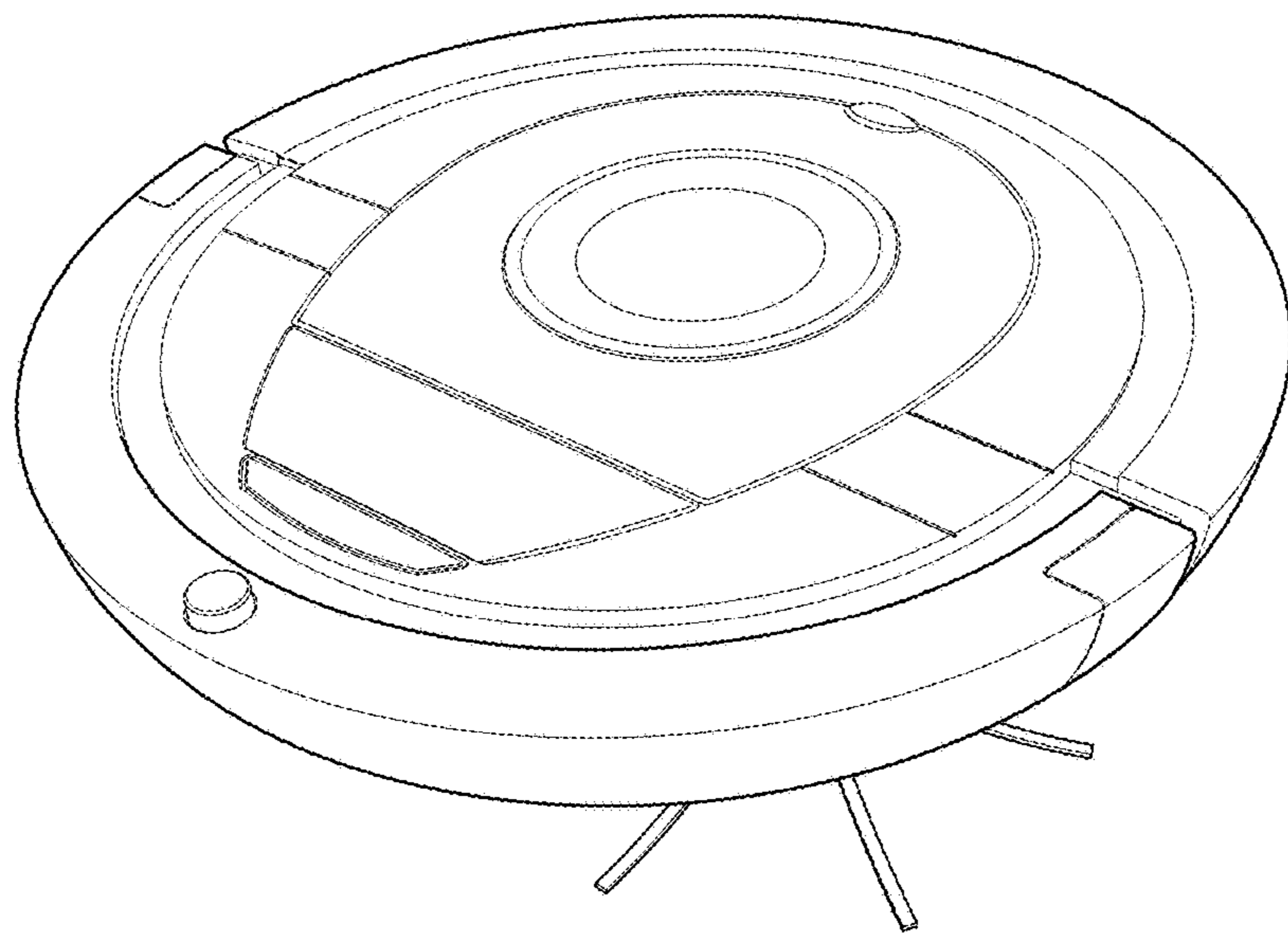
Primary Examiner — Melanie H Tung
Assistant Examiner — Bao-Yen T Nguyen

(57) **CLAIM**
The ornamental design for robotic vacuum cleaner, as shown and described.

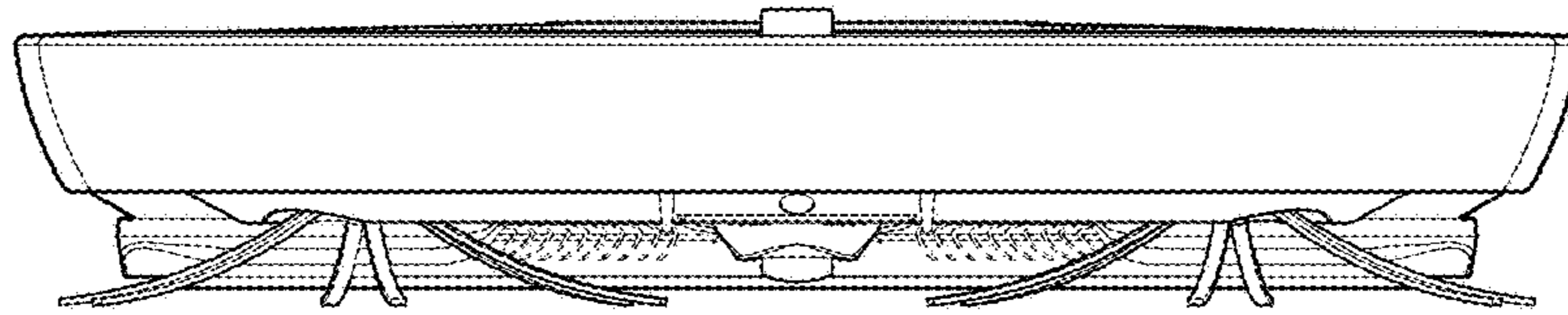
DESCRIPTION
1. Robotic vacuum cleaner
1.1 is a perspective view showing the robotic vacuum cleaner of my design;
1.2 is a front elevational view thereof;
1.3 a rear elevational view thereof;
1.4 is a left side elevational view thereof;
1.5 is a right side elevational view thereof;
1.6 is a top plan view thereof; and
1.7 is a bottom plan view thereof.
The broken lines illustrate portions of the robotic vacuum cleaner and form no part of the claimed design.

1 Claim, 4 Drawing Sheets

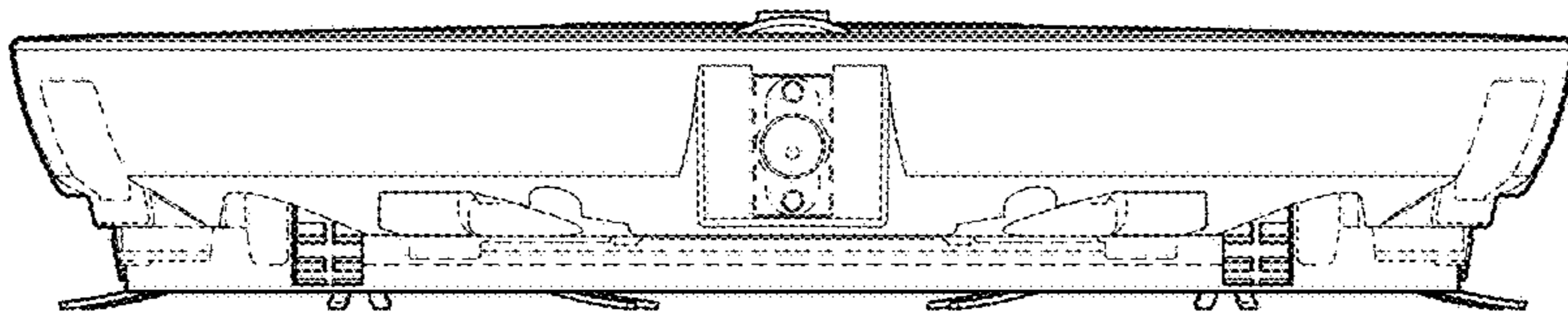




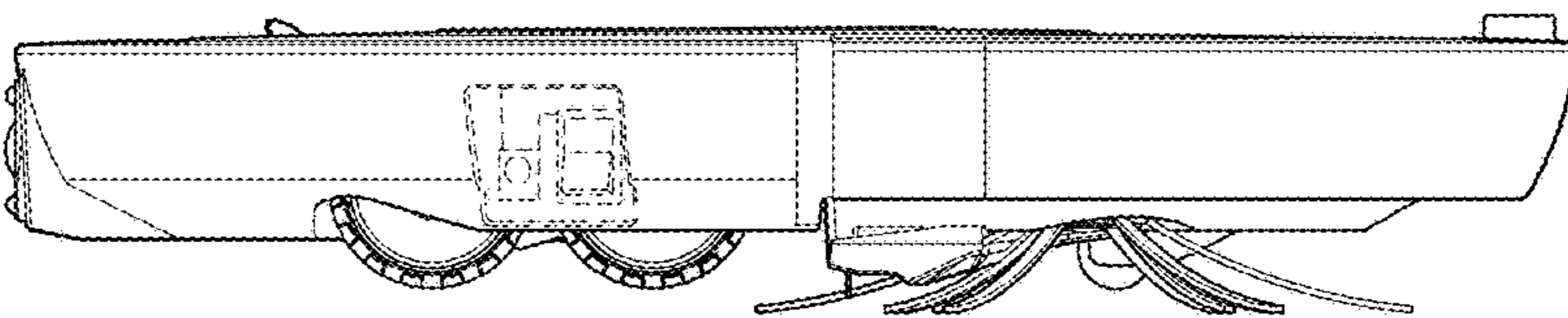
1.1



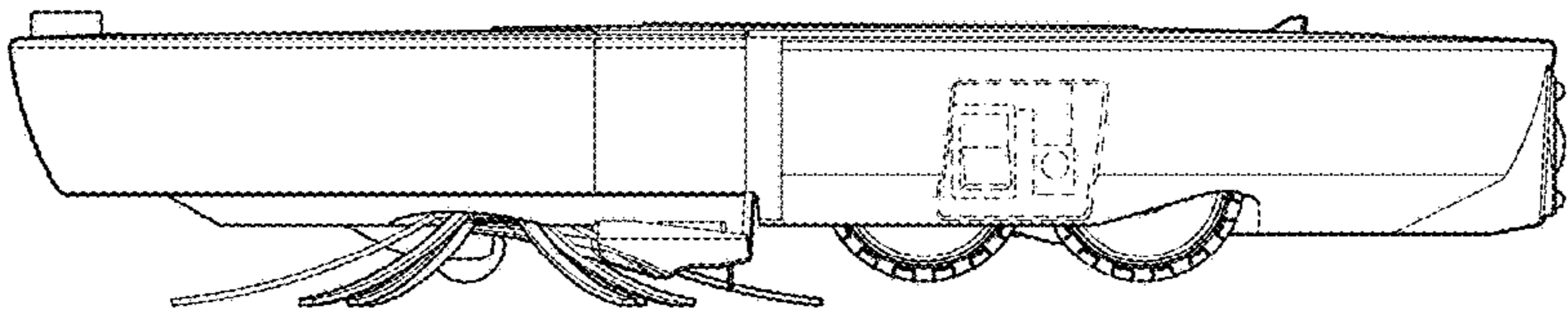
1.2



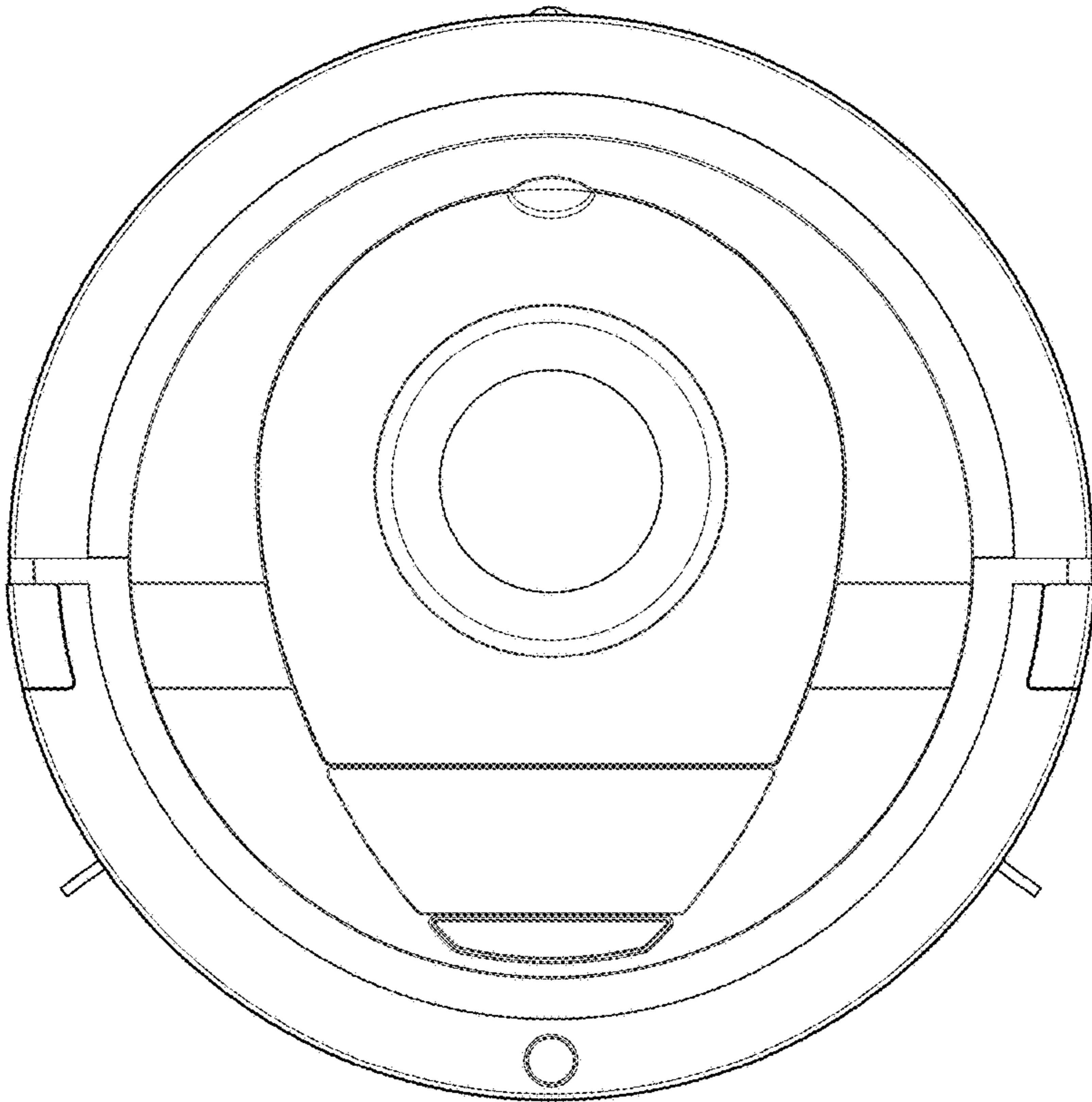
1.3



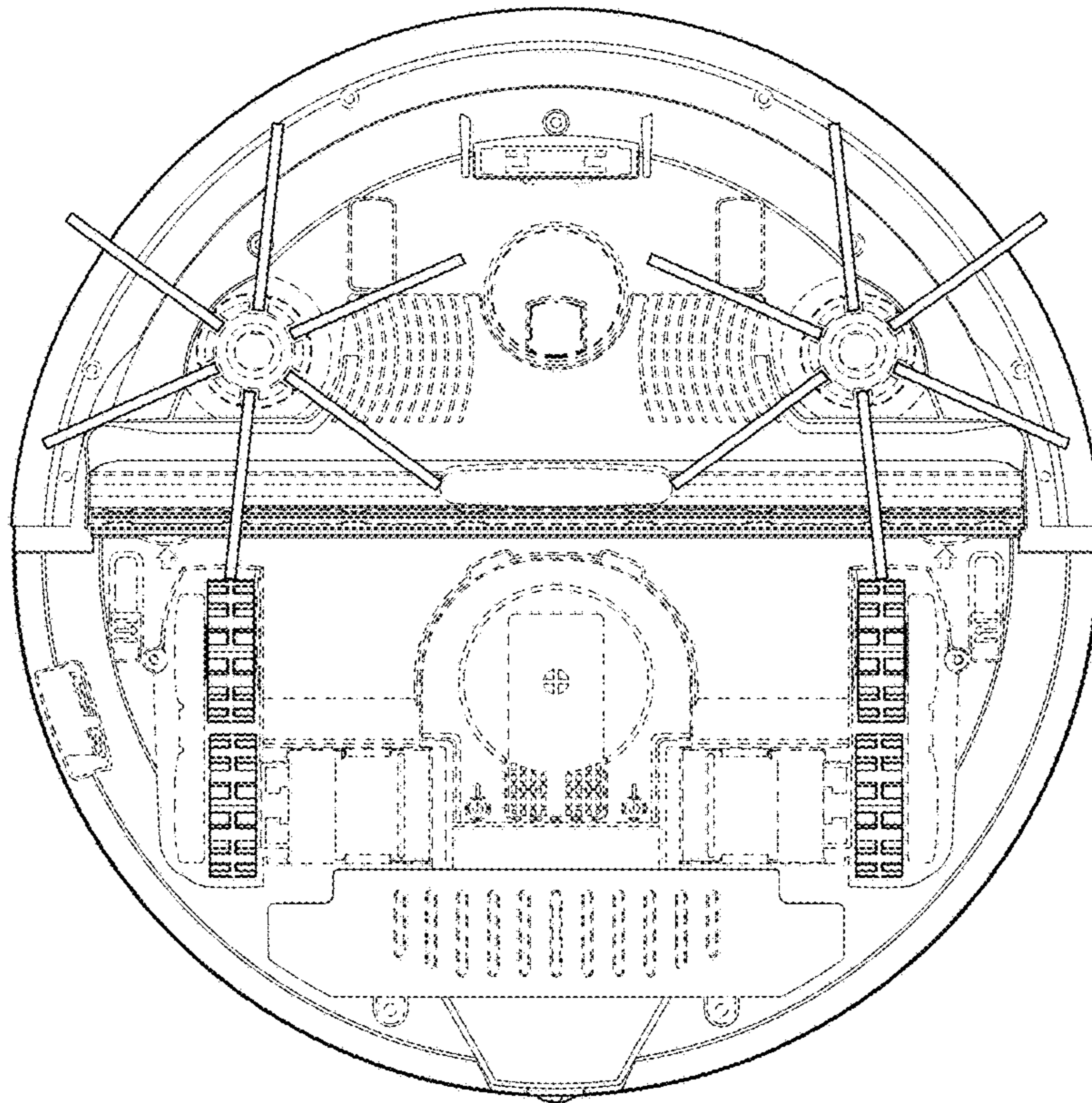
1.4



1.5



1.6



1.7