



US00D860556S

(12) **United States Design Patent** (10) **Patent No.:** **US D860,556 S**
Brown et al. (45) **Date of Patent:** **** Sep. 17, 2019**

(54) **POLISHER** 5,187,827 A * 2/1993 Wei A46B 13/06
15/22.1

(71) Applicant: **Griot's Garage, Inc.**, Tacoma, WA (US) D338,754 S 8/1993 Skrzypek
D353,310 S 12/1994 Izumisawa
D354,424 S * 1/1995 Izumisawa D8/62
D368,343 S * 3/1996 Gebhard D24/215

(72) Inventors: **Jeffrey L. Brown**, Savage, MN (US);
Richard L. Griot, Tacoma, WA (US) D377,892 S 2/1997 Sung
D381,248 S 7/1997 Sung
D392,778 S 3/1998 McCracken

(73) Assignee: **Griot's Garage, Inc.**, Tacoma, WA (US) D413,445 S * 9/1999 deBlois D4/102
5,978,999 A * 11/1999 deBlois A46B 13/008
15/22.1

(**) Term: **15 Years** D431,437 S * 10/2000 Niwa D8/62
D443,397 S 6/2001 Williams
6,342,002 B1 1/2002 Wang
D471,329 S 3/2003 Heun
D475,489 S 6/2003 McLelland
D511,953 S 11/2005 Janson
D520,688 S * 5/2006 Bakker D32/19
D525,752 S 7/2006 Bakker
D526,869 S 8/2006 Heun

(Continued)

Related U.S. Application Data

(62) Division of application No. 29/501,870, filed on Sep. 9, 2014, now Pat. No. Des. 792,666.

(51) **LOC (12) Cl.** **04-03**

(52) **U.S. Cl.**
USPC **D32/19**

(58) **Field of Classification Search**
USPC ... D32/1, 15, 16, 17, 19, 20, 21, 22, 18, 25,
D32/31; D4/102, 100, 127, 129; D8/61,
D8/62
CPC B24B 29/00; B24B 29/005; B24B 31/003;
B08B 9/023
See application file for complete search history.

References Cited

U.S. PATENT DOCUMENTS

(56) 2,553,688 A * 5/1951 Thompson B24B 23/028
451/344
4,102,084 A 7/1978 Bloomquist
D273,173 S 3/1984 Poon
D330,151 S * 10/1992 Fisher D8/62
D332,558 S * 1/1993 Hoshino D8/62

Primary Examiner — Michelle E. Wilson
(74) *Attorney, Agent, or Firm* — Davis Wright Tremaine
LLP; George C. Rondeau, Jr.

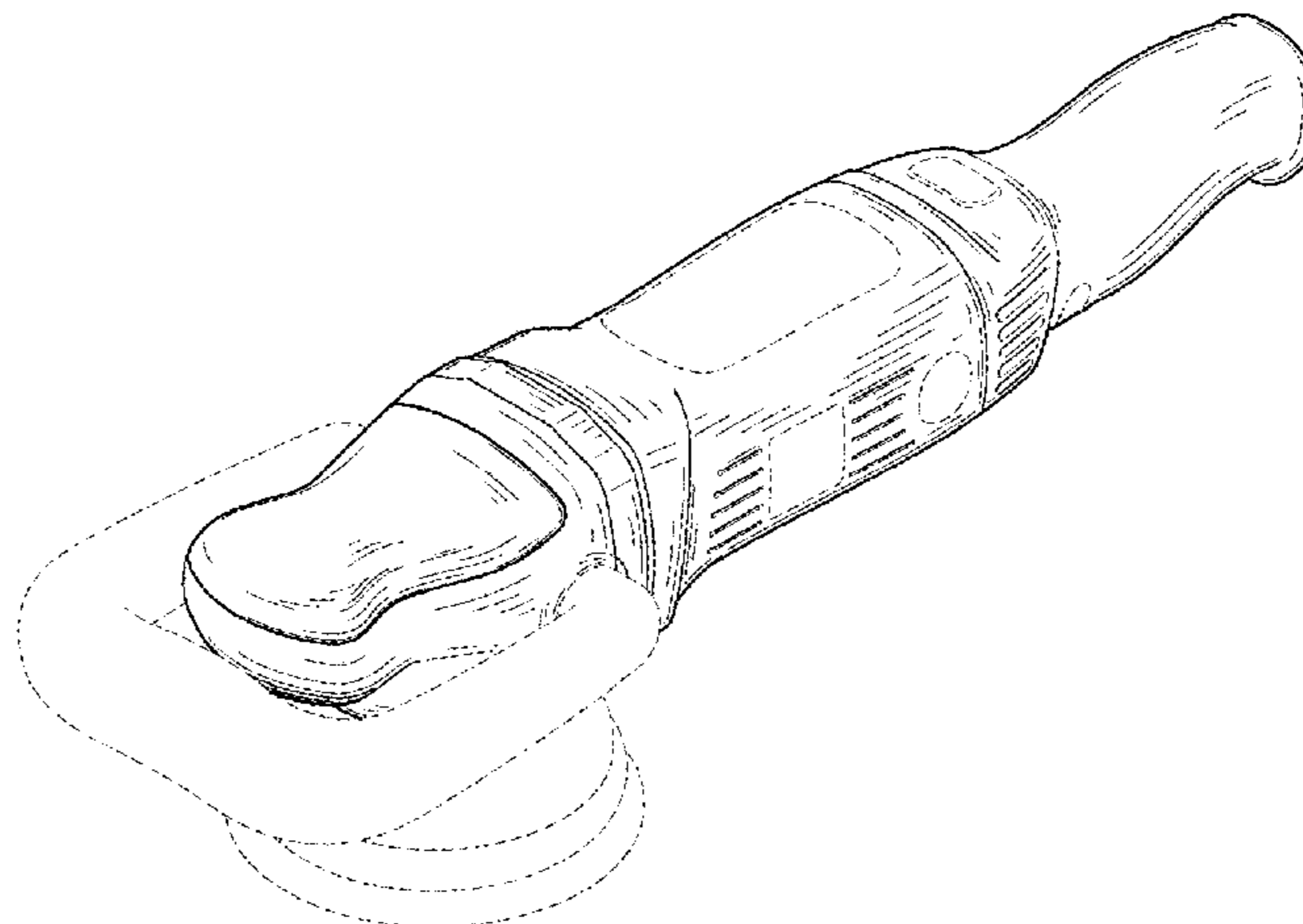
(57) **CLAIM**

The ornamental design for a polisher, as shown and described.

DESCRIPTION

FIG. 1 is a top perspective view of a polisher showing our new design.
FIG. 2 is a left side elevational view thereof.
FIG. 3 is a top plan view thereof.
FIG. 4 is a right side elevational view thereof.
FIG. 5 is a bottom plan view thereof.
FIG. 6 is a front elevational view thereof; and,
FIG. 7 is a rear elevational view thereof.
The broken lines represent portions of the polisher that form no part of the claim.

1 Claim, 6 Drawing Sheets



(56)

References Cited

U.S. PATENT DOCUMENTS

D529,244	S	*	9/2006	Main	D32/19
D534,323	S	*	12/2006	Hong	D32/19
D538,490	S	*	3/2007	Hong	D32/15
D546,155	S		7/2007	Wu		
D548,901	S	*	8/2007	Hong	D32/19
D569,056	S		5/2008	Zhu		
D590,553	S	*	4/2009	Crevling, Jr.	D32/32
D596,362	S	*	7/2009	Crevling, Jr.	D32/33
9,387,578	B2		7/2016	Kuehne		
D792,666	S	*	7/2017	Brown	D32/19

* cited by examiner

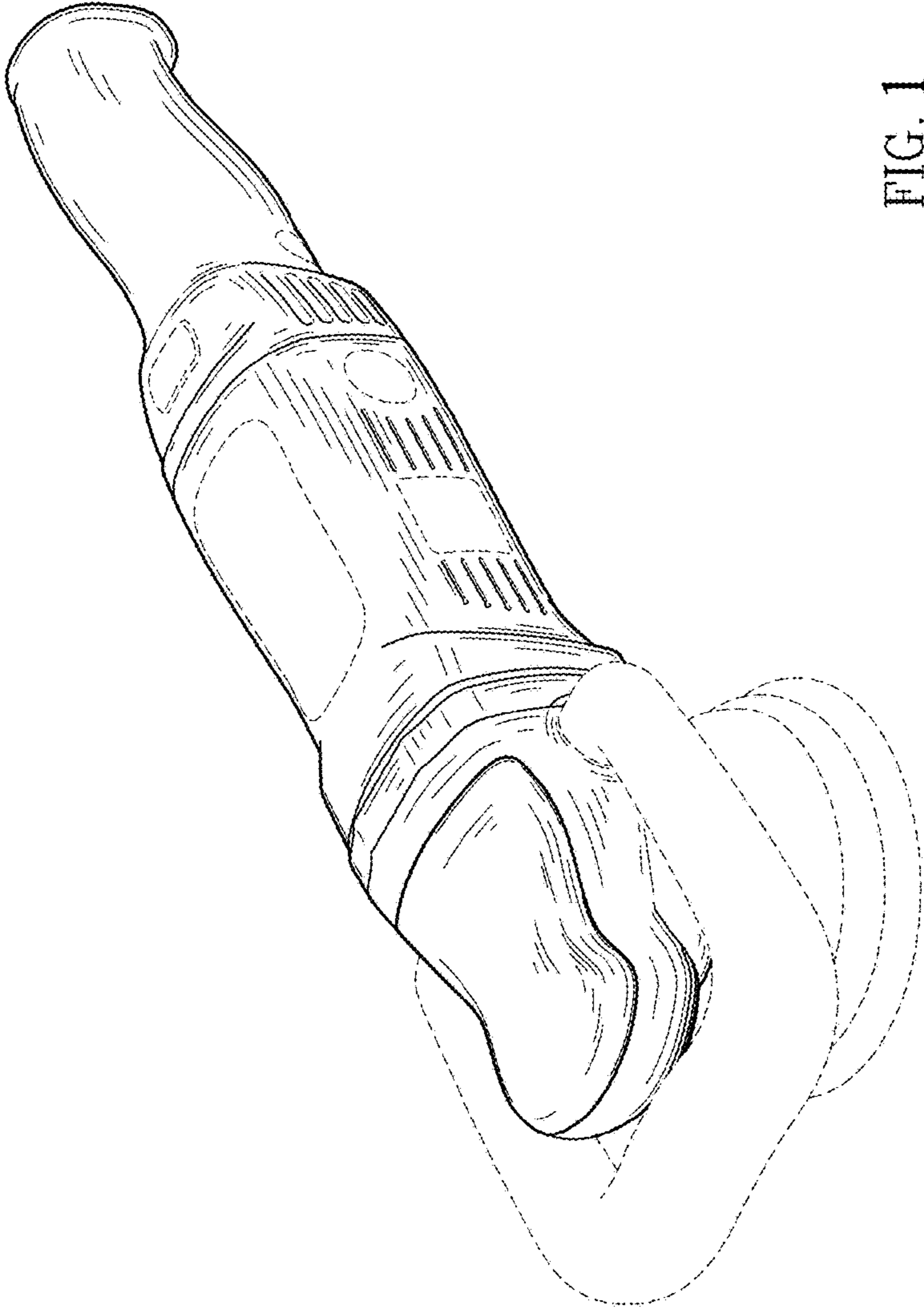


FIG. 1

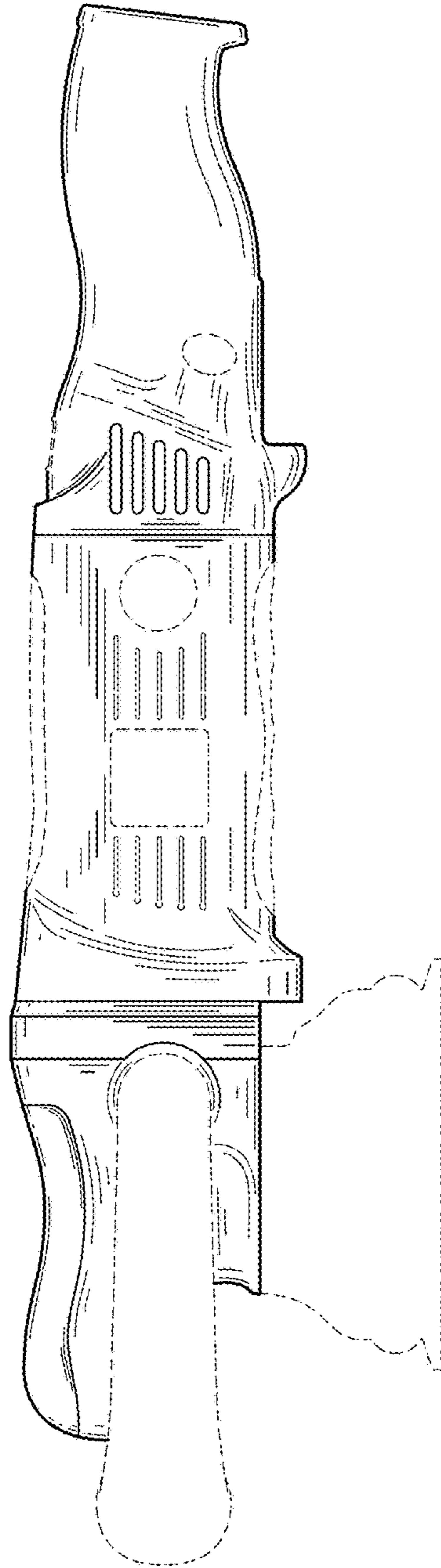


FIG. 2

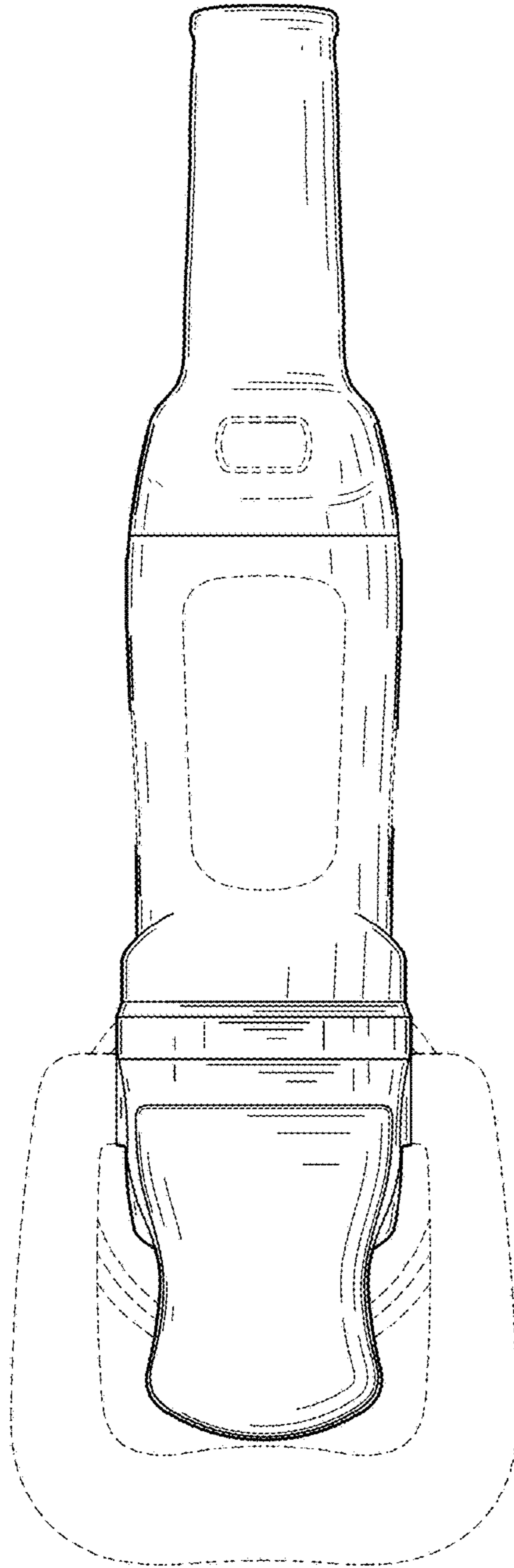


FIG. 3

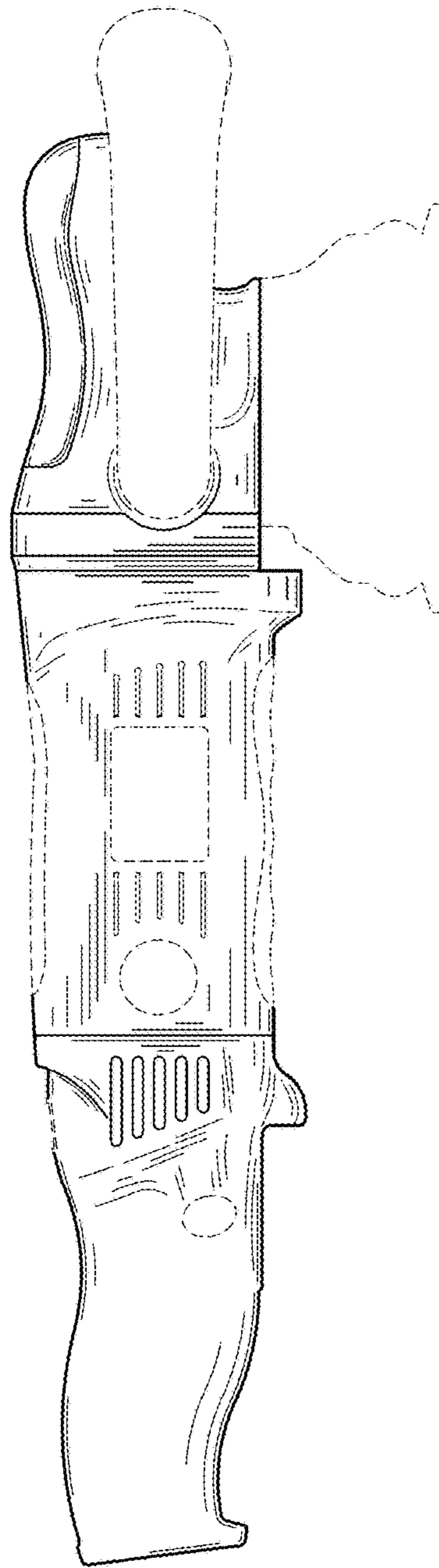


FIG. 4

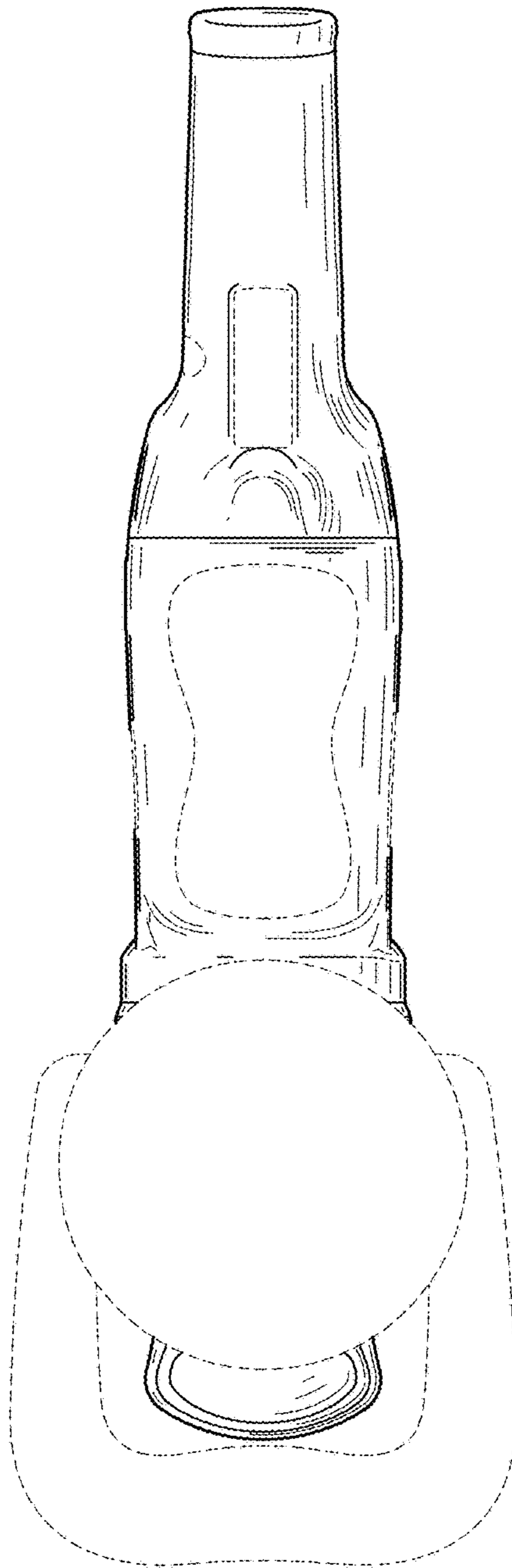


FIG. 5

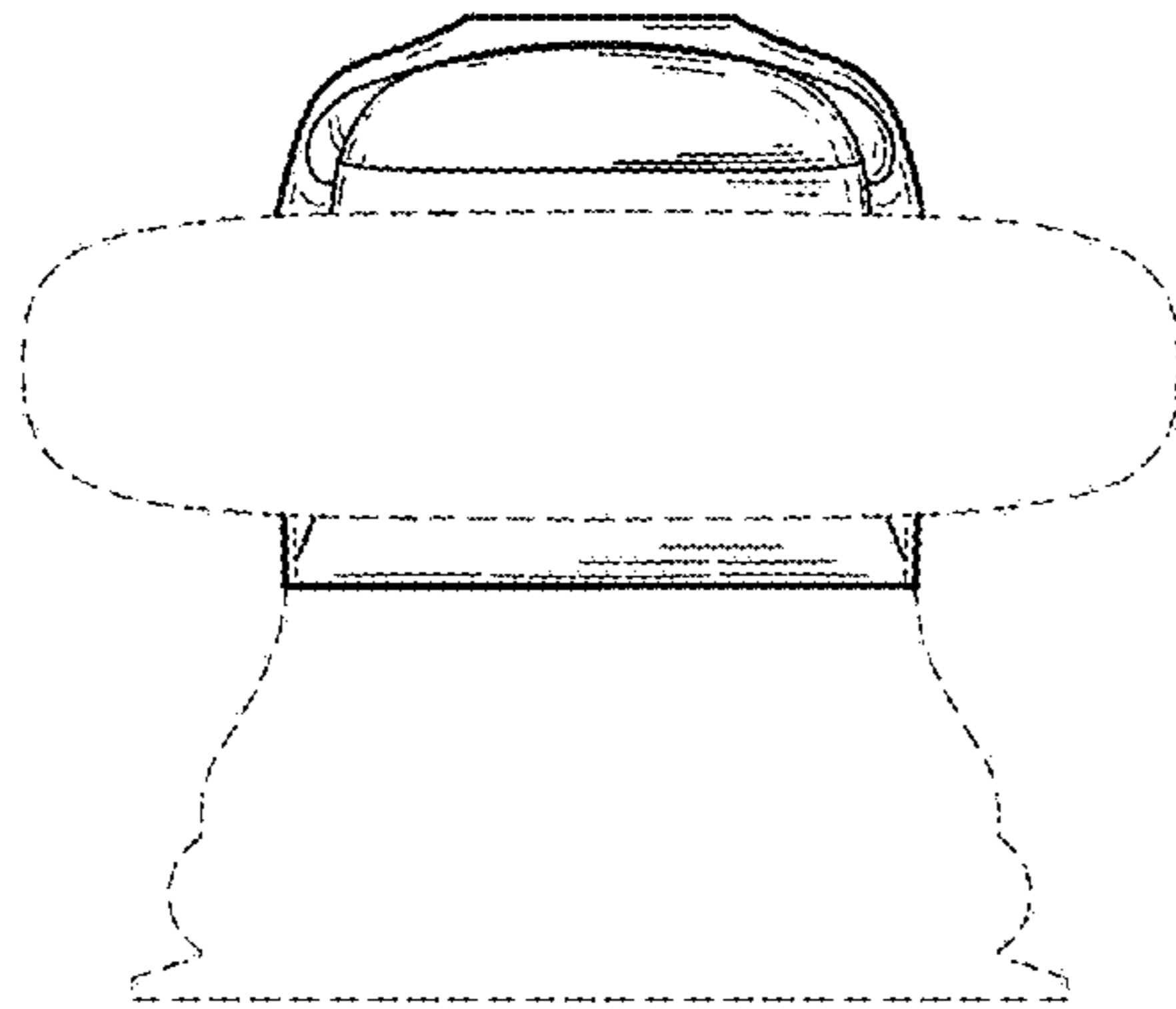


FIG. 6

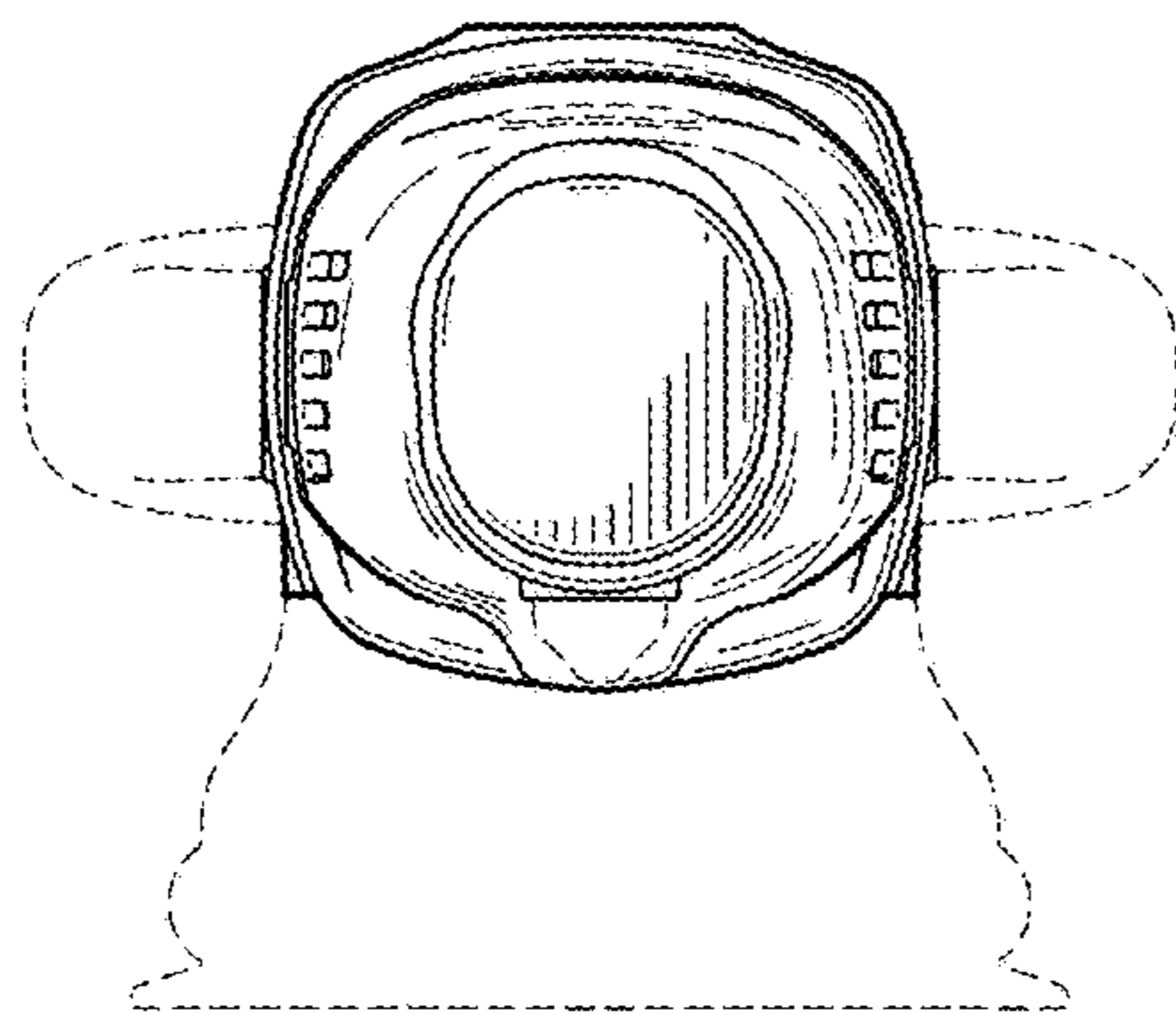


FIG. 7