



(12) **United States Design Patent**  
**de Martrin-Donos**

(10) **Patent No.:** **US D860,555 S**  
(45) **Date of Patent:** **\*\* Sep. 17, 2019**

(54) **COMBINED TOILET BRUSH AND BASE**

(71) Applicant: **Francois de Martrin-Donos**, Brooklyn, NY (US)

(72) Inventor: **Francois de Martrin-Donos**, Brooklyn, NY (US)

(73) Assignee: **HELEN OF TROY LIMITED**, St. Michael (BB)

(\*\*) Term: **15 Years**

(21) Appl. No.: **29/628,984**

(22) Filed: **Dec. 9, 2017**

(51) **LOC (12) Cl.** ..... **15-05**

(52) **U.S. Cl.**  
USPC ..... **D32/14; D32/40; D4/137; D6/551**

(58) **Field of Classification Search**  
USPC ..... D32/1, 14, 25, 34, 35; D23/223, 224; D6/524, 551; D28/7; 4/255.05, 255.01, 4/255.12, 255.09, 255.11; 15/406  
CPC .. E03D 9/00; E03C 1/30; E03C 1/308; A47K 11/10  
See application file for complete search history.

(56) **References Cited**

**U.S. PATENT DOCUMENTS**

D464,515 S *	10/2002	Katz	.....	D6/551
D525,064 S *	7/2006	Williams	.....	D6/524
7,299,519 B1 *	11/2007	Garry	.....	A46B 7/023 15/104.05
7,328,793 B2 *	2/2008	Leaphart, Jr.	.....	A47K 17/00 206/15.2
D579,703 S *	11/2008	Nickelson	.....	D6/524
D589,734 S *	4/2009	Weis	.....	D6/551
9,133,610 B2 *	9/2015	Dressel	.....	E03D 9/00
2009/0211926 A1 *	8/2009	Wang	.....	A46B 17/02 206/15.3
2010/0084292 A1 *	4/2010	Wildauer	.....	A47K 17/00 206/349
2013/0180874 A1 *	7/2013	Yang	.....	A47K 11/10 206/349

**OTHER PUBLICATIONS**

Compact Toilet Brush posted by OXO Good Grips posted date May 9, 2012, © Amazon, [online], [site visited Dec. 7, 2018]. Available from Internet, [https://www.amazon.co.uk/OXO-Good-Grips-Hideaway-Compact/dp/B003M8GMRW/ref=sr\\_1\\_6?ie=UTF8&qid=1544236709&sr=8-6&keywords=toilet+brush](https://www.amazon.co.uk/OXO-Good-Grips-Hideaway-Compact/dp/B003M8GMRW/ref=sr_1_6?ie=UTF8&qid=1544236709&sr=8-6&keywords=toilet+brush) (Year: 2012).\*

(Continued)

*Primary Examiner* — Garth Rademaker  
*Assistant Examiner* — Laura H Yu

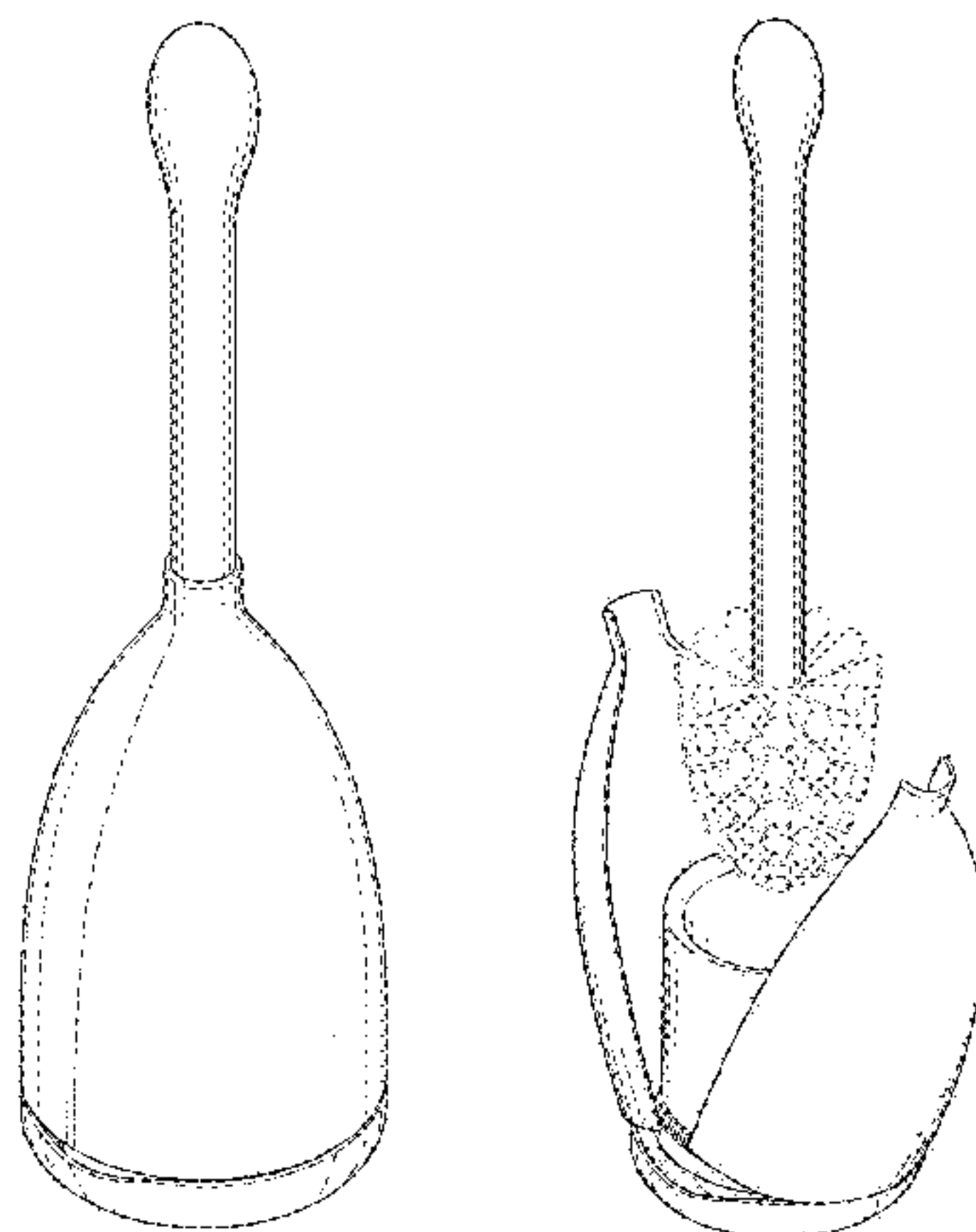
(57) **CLAIM**

The ornamental design for a combined toilet brush and base, as shown, and described.

**DESCRIPTION**

FIG. 1 is a perspective view of a combined toilet brush and base in a closed position;  
FIG. 2 is a front elevational view thereof, the rear view being a mirror image thereof;  
FIG. 3 is a left side elevational view thereof, the right side elevational view being a mirror image thereof;  
FIG. 4 is a top view thereof;  
FIG. 5 is a bottom view thereof;  
FIG. 6 is a perspective view thereof in an open position;  
FIG. 7 is a front elevational view thereof, the rear view being a mirror image thereof  
FIG. 8 is a left side elevational view thereof, the right side elevational view being a mirror image thereof;  
FIG. 9 is a top view thereof; and,  
FIG. 10 is a bottom view thereof.  
The broken lines in the drawings show portions of the combined toilet brush and base which form no part of the claimed design.

**1 Claim, 10 Drawing Sheets**



(56)

**References Cited**

OTHER PUBLICATIONS

OXO Good Grips Toilet Brush posted by OXO Good Grips posted date Jul. 17, 2003, © Amazon, [online], [site visited Dec. 7, 2018]. Available from Internet, <https://www.amazon.co.uk/OXO-Good-Grips-Toilet-Brush> (Year: 2003).\*

Compact Toilet Brush and Canister posted by MaxiAids posted date Jan. 8, 2014, © Youtube, [online], [site visited Dec. 7, 2018]. Available from Internet, <https://www.youtube.com/watch?v=jMveyHzjwOg> (Year: 2017).\*

10 Best Toilet Brushes posted by EzVid Wiki posted date Mar. 18, 2016, © Youtube, [online], [site visited Dec. 7, 2018]. Available from Internet, <https://www.youtube.com/watch?v=CAif8Ai4FY4> (Year: 2016).\*

\* cited by examiner

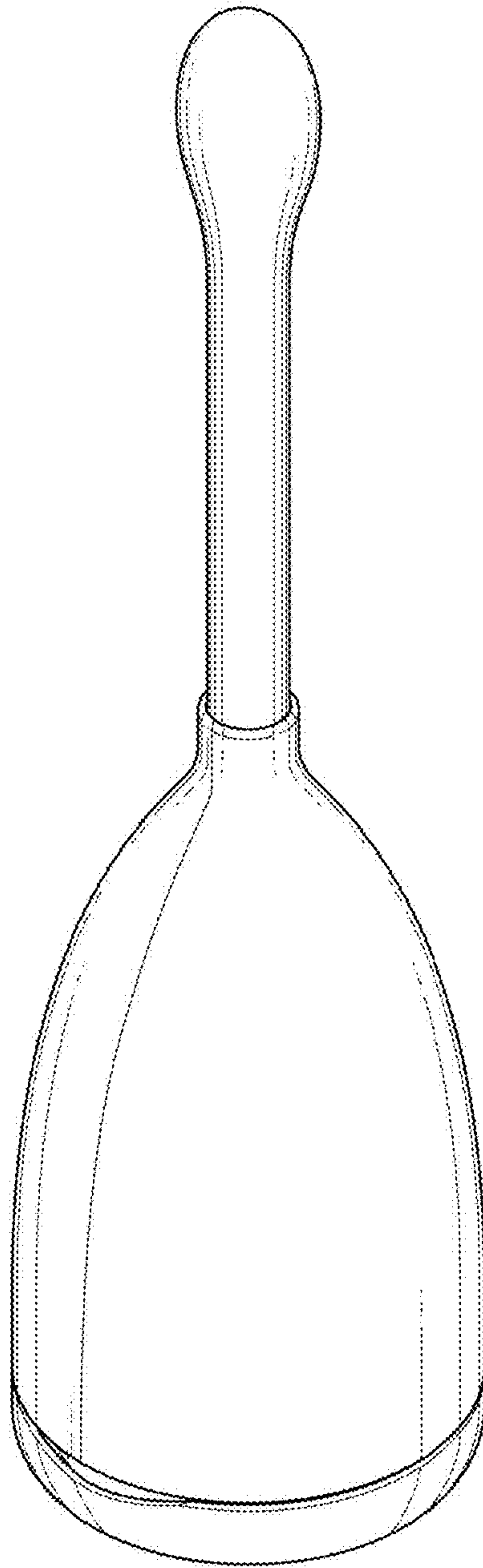


FIG. 1

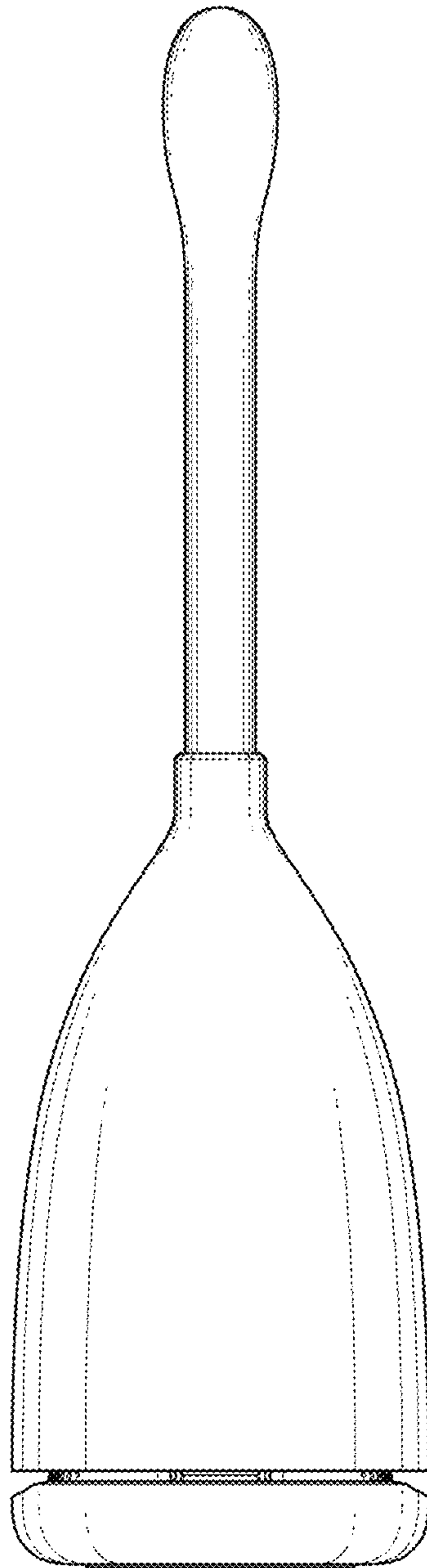


FIG. 2

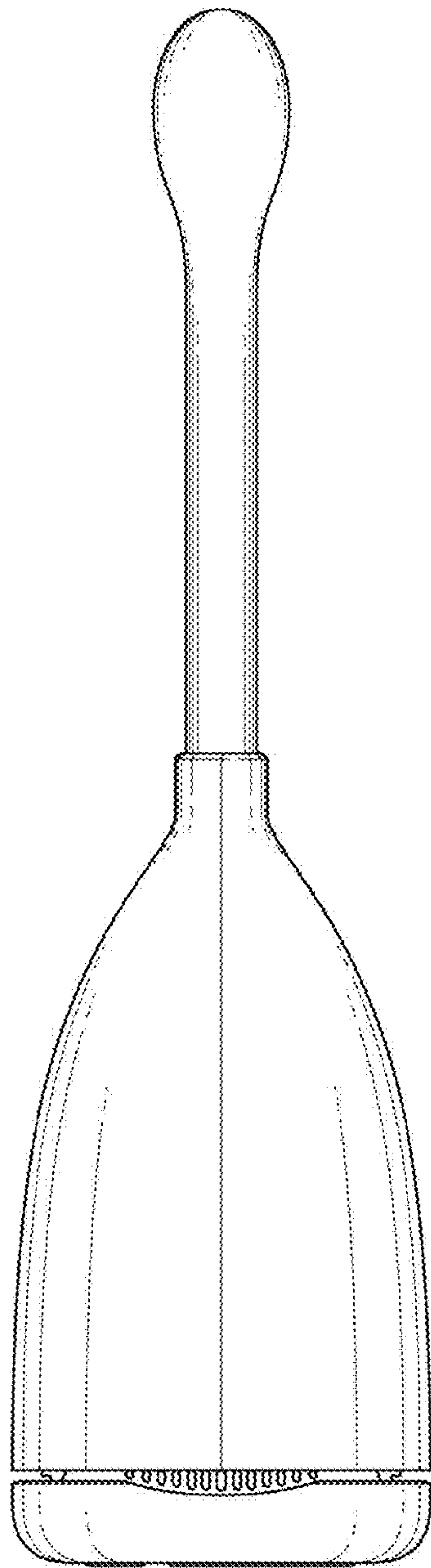


FIG. 3

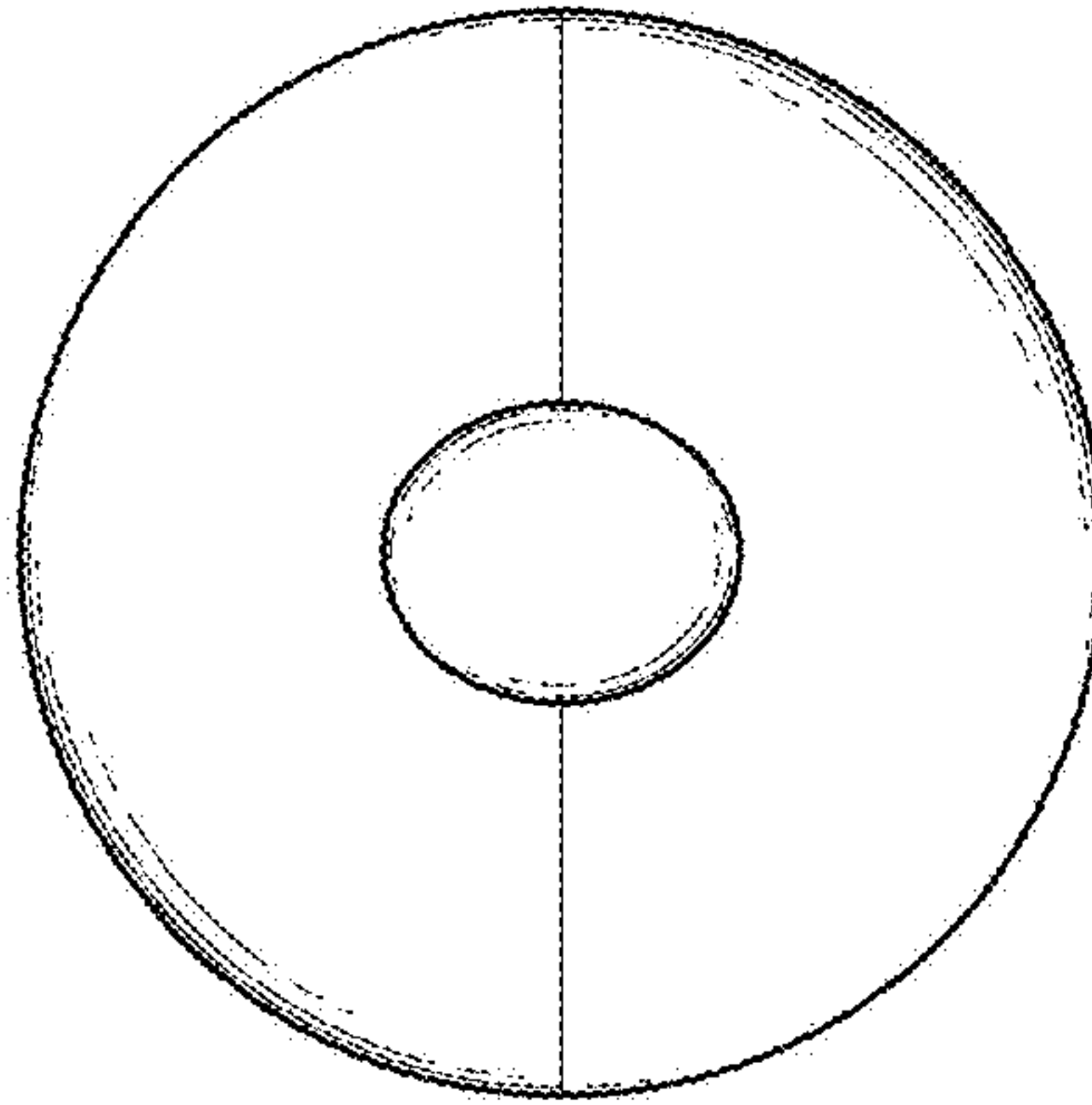


FIG. 4

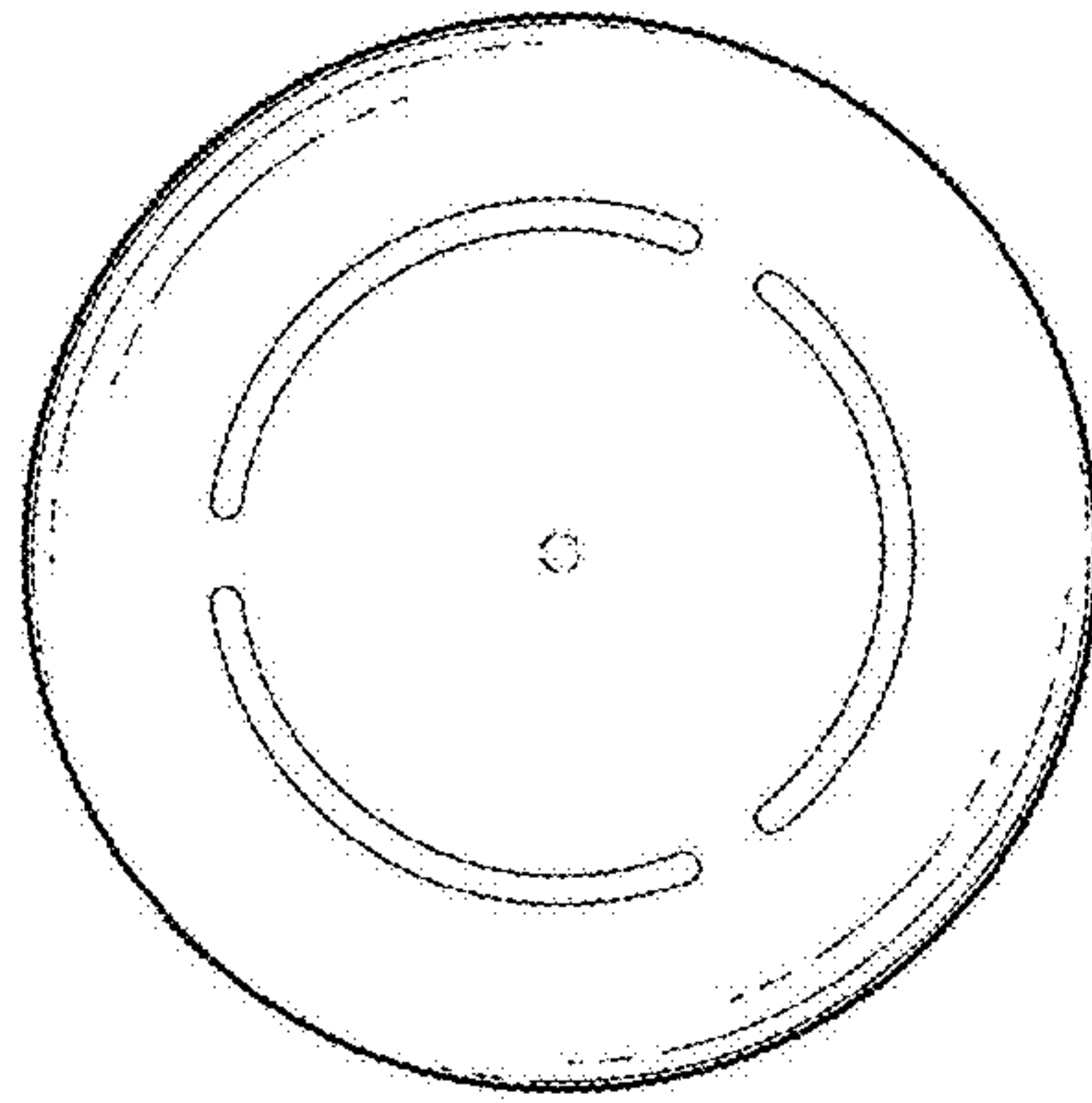


FIG. 5



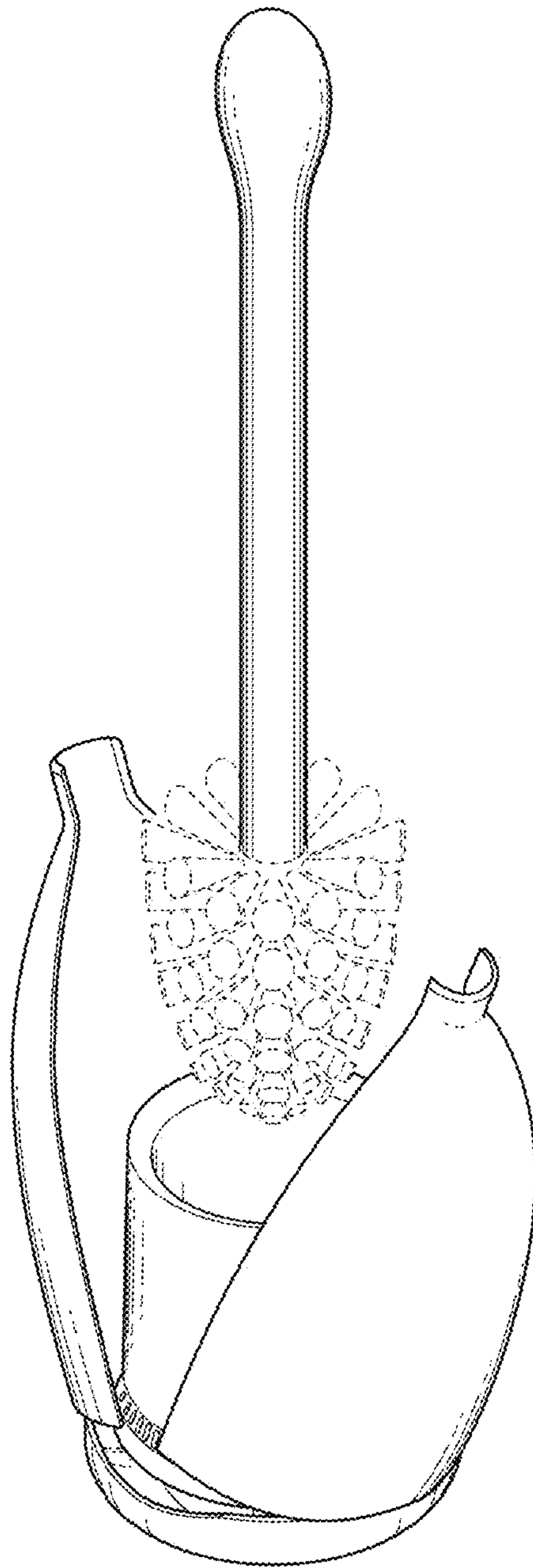


FIG. 6



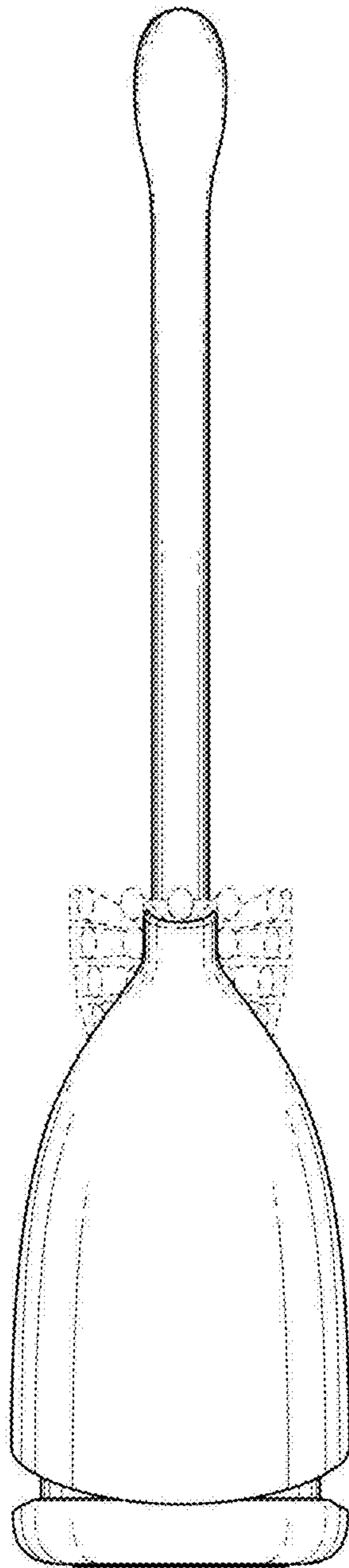


FIG. 7

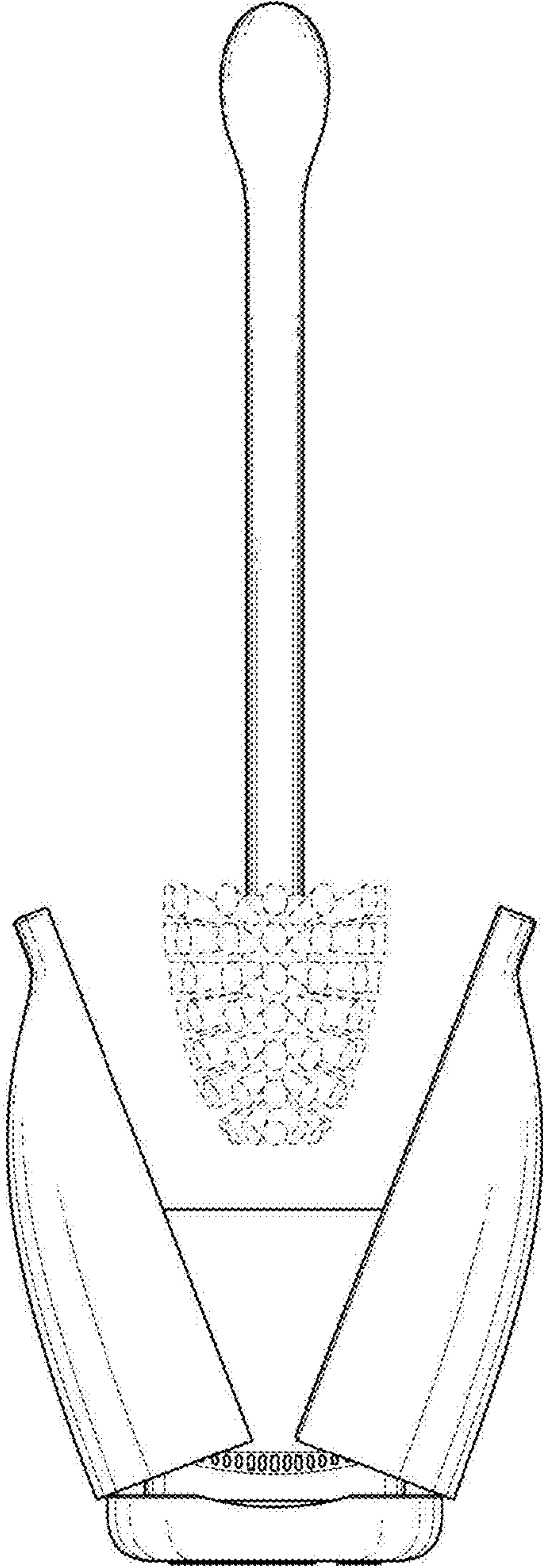


FIG. 8

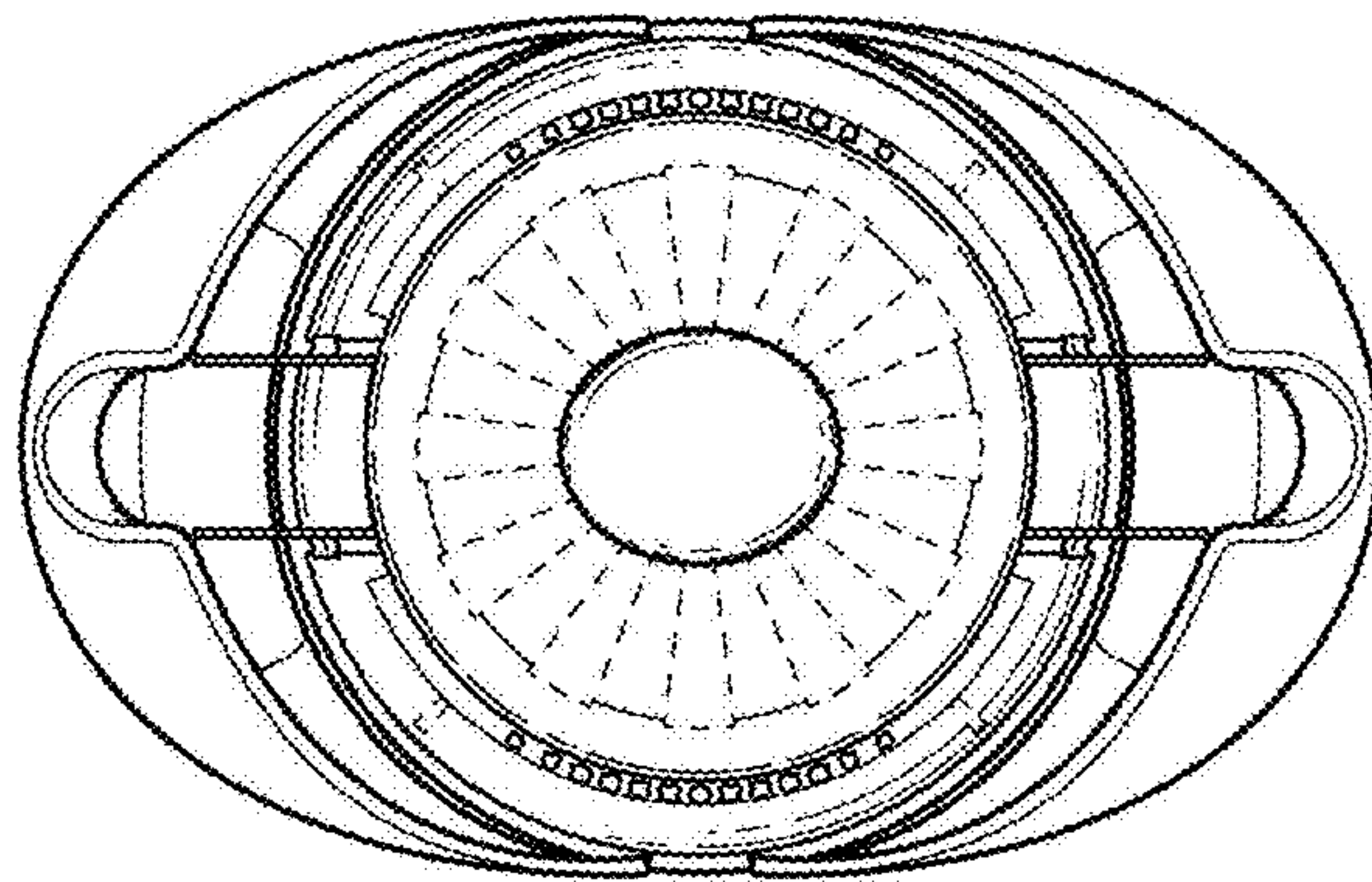


FIG. 9

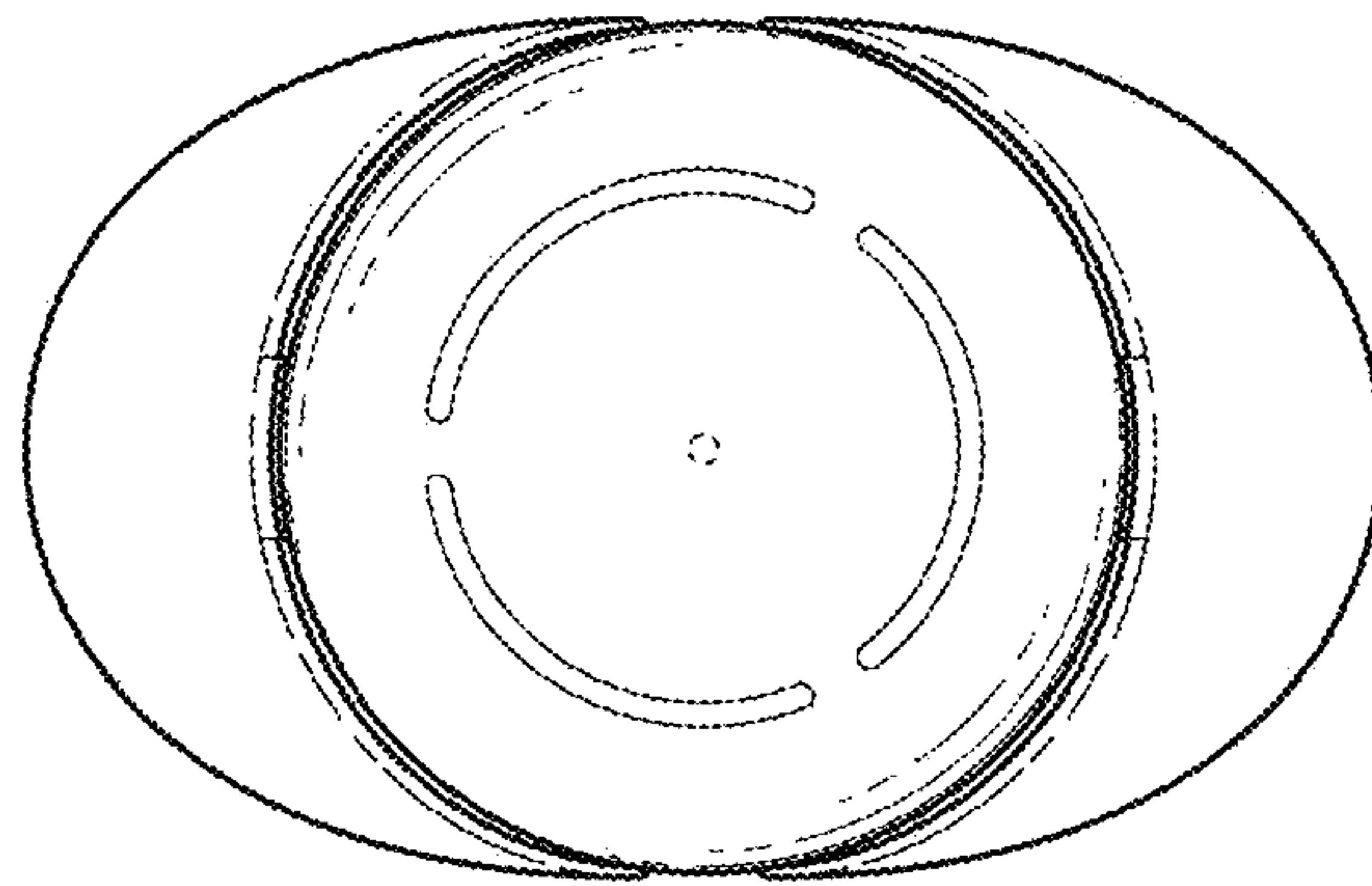


FIG. 10