



US00D860552S

(12) **United States Design Patent** (10) **Patent No.:** **US D860,552 S**
Roberson et al. (45) **Date of Patent:** **** Sep. 17, 2019**

(54) **DISHWASHER DOOR COMPONENT**

CPC A47L 15/4265; A47L 15/4259; A47L
15/4257; A47L 15/4293; F25D 23/02;
F25D 23/021

(71) Applicant: **BSH Home Appliances Corporation**,
Irvine, CA (US)

See application file for complete search history.

(72) Inventors: **Lindsay Roberson**, Durham, NC (US);
Thomas Ott, Neubiberg (DE)

(56) **References Cited**

(73) Assignee: **BSH Home Appliances Corporation**,
Irvine, CA (US)

U.S. PATENT DOCUMENTS

(**) Term: **15 Years**

5,365,959 A * 11/1994 Favaro A47L 15/4257
134/113

(21) Appl. No.: **29/581,106**

D385,070 S * 10/1997 Hughes D32/3
(Continued)

(22) Filed: **Oct. 17, 2016**

Primary Examiner — Michelle E. Wilson

(74) *Attorney, Agent, or Firm* — Michael E. Tschupp;
Andre Pallapies; Brandon G. Braun

Related U.S. Application Data

(57) **CLAIM**

(62) Division of application No. 29/569,155, filed on Jun.
24, 2016, now Pat. No. Des. 778,008, which is a
division of application No. 29/550,770, filed on Jan.
7, 2016, now Pat. No. Des. 765,923, which is a
division of application No. 29/541,578, filed on Oct.
6, 2015, now Pat. No. Des. 756,046, which is a
division of application No. 29/535,955, filed on Aug.
12, 2015, now Pat. No. Des. 748,353, which is a
division of application No. 29/524,469, filed on Apr.
21, 2015, now Pat. No. Des. 743,121, which is a
division of application No. 29/478,582, filed on Jan.
7, 2014, now Pat. No. Des. 732,755, which is a
division of application No. 29/451,788, filed on Apr.
9, 2013, now Pat. No. Des. 702,898, which is a
division of application No. 29/425,994, filed on Jun.

The ornamental design for a dishwasher door component, as
shown and described.

(Continued)

DESCRIPTION

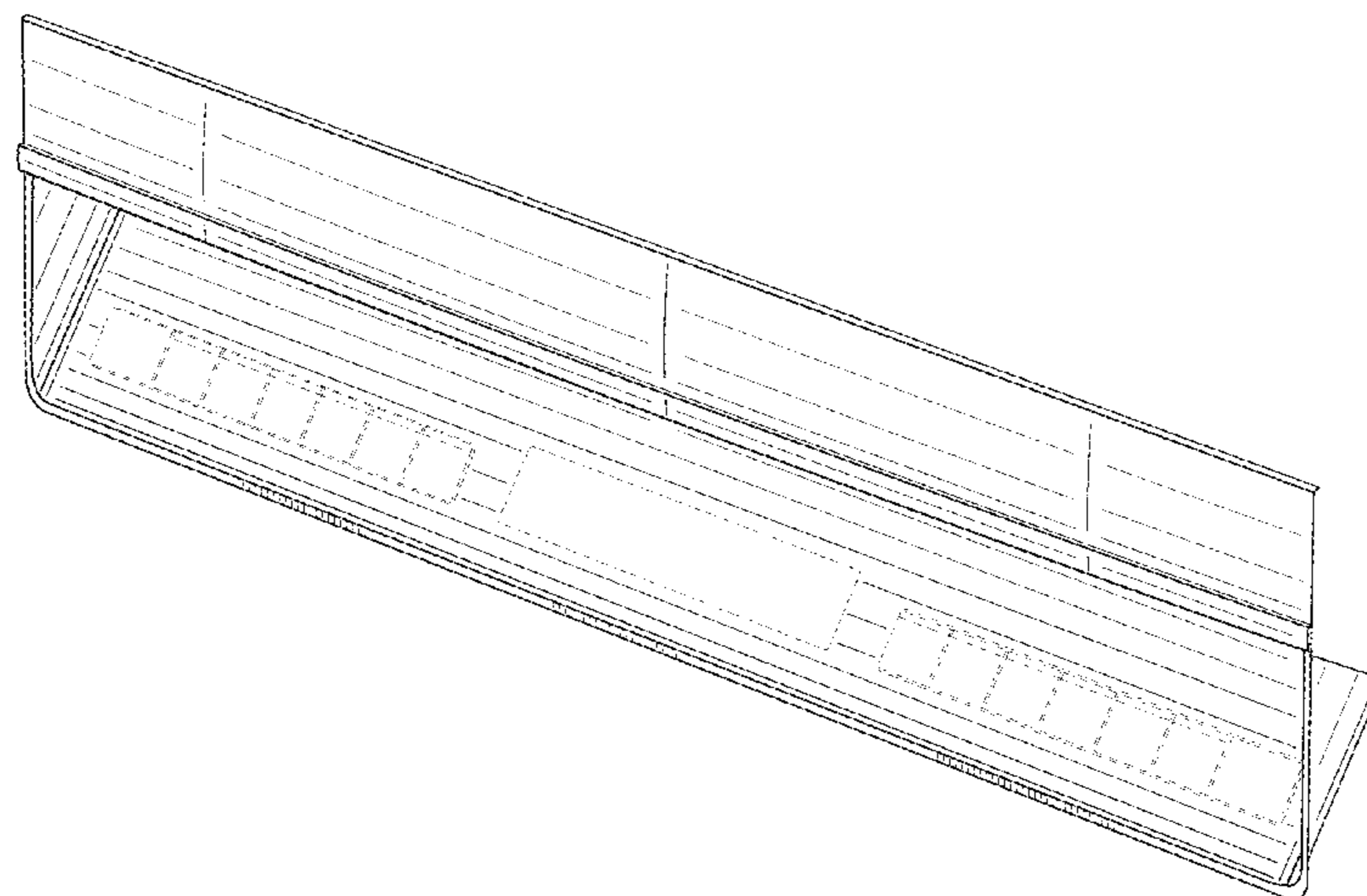
(51) **LOC (12) Cl.** **15-05**

(52) **U.S. Cl.**
USPC **D32/3**

(58) **Field of Classification Search**
USPC D32/1-3, 25, 28; D7/340, 348-350, 405;
312/31, 109, 228; 134/56 D, 57 D, 58 D,
134/58 DL, 201

FIG. 1 is a front perspective view of a dishwasher door
component according to our new ornamental design;
FIG. 2 is a front view thereof;
FIG. 3 is a top view thereof;
FIG. 4 is a left side view thereof, with the right hand side
view thereof being a mirror image thereof;
FIG. 5 is another perspective view thereof, from the bottom;
FIG. 6 is yet another perspective view thereof, from the
bottom;
FIG. 7 is a cross sectional view along lines 7-7 of FIG. 6;
and,
FIG. 8 is a cross sectional view along lines 8-8 of FIG. 6.
The broken lines of the dishwasher, dishwasher compart-
ment and/or components thereof show surrounding structure
or environment and do not form part of the claimed design.
The bottom and rear parts of the dishwasher door, and the
bottom, rear and top of the dishwasher compartment are
unornamented and form no part of the claimed design.

1 Claim, 5 Drawing Sheets



Related U.S. Application Data

29, 2012, now Pat. No. Des. 684,736, which is a division of application No. 29/403,661, filed on Oct. 10, 2011, now Pat. No. Des. 668,403.

(56)

References Cited

U.S. PATENT DOCUMENTS

D424,257 S *	5/2000	Umeda	D32/2
D539,992 S *	4/2007	Yamamoto	D32/2
7,216,944 B2 *	5/2007	Oyler	A47L 15/4265 312/109
D544,657 S *	6/2007	Jung	D32/2
D577,869 S *	9/2008	Tartan	D32/2
D613,467 S *	4/2010	Park	D32/6
D627,937 S *	11/2010	Kim	D32/2
D665,957 S *	8/2012	Eng	D32/2
D667,596 S *	9/2012	Berberet	D32/3
D668,402 S *	10/2012	Eng	D32/3
D668,403 S *	10/2012	Eng	D32/3
D668,404 S *	10/2012	Eng	D32/3
D670,457 S *	11/2012	Eng	D32/3
D673,742 S *	1/2013	Eng	D32/2

* cited by examiner

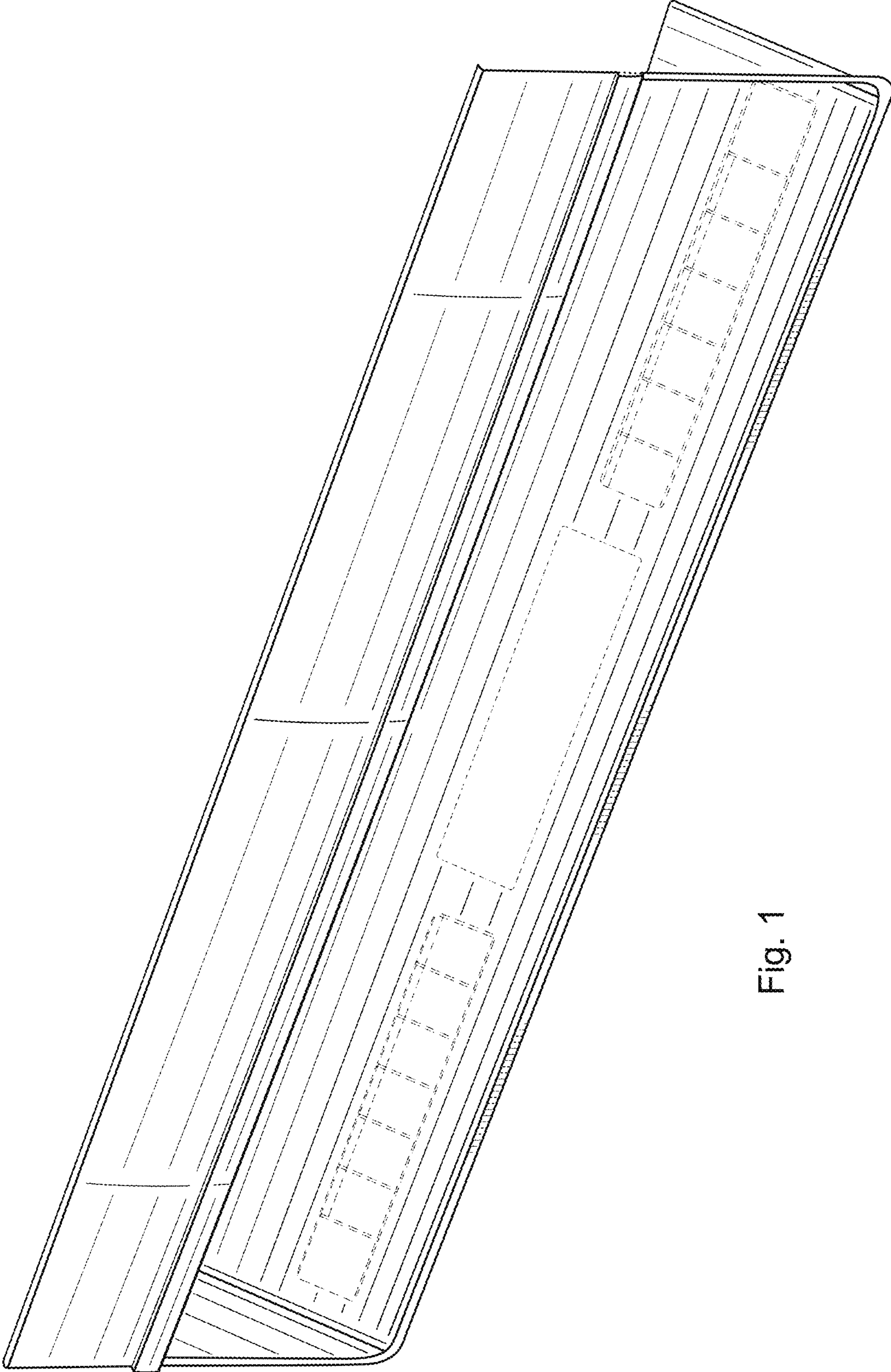


Fig. 1

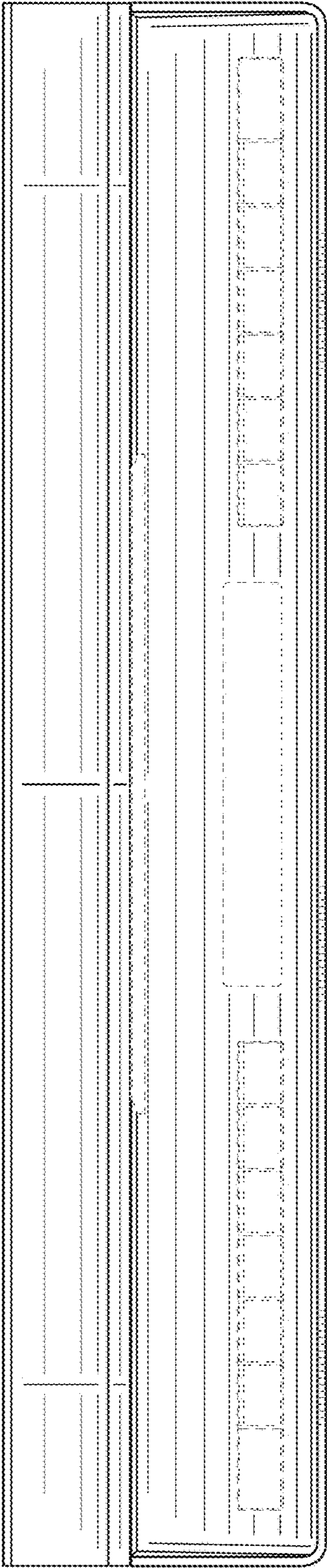


Fig. 2

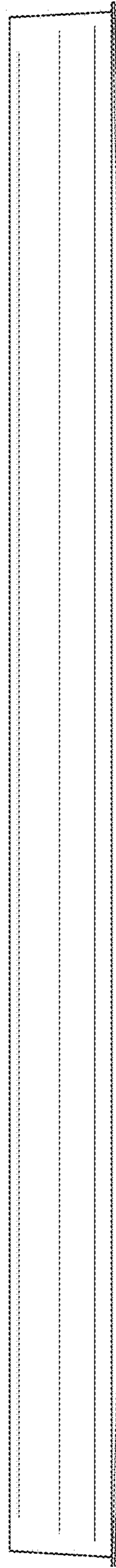


Fig. 3

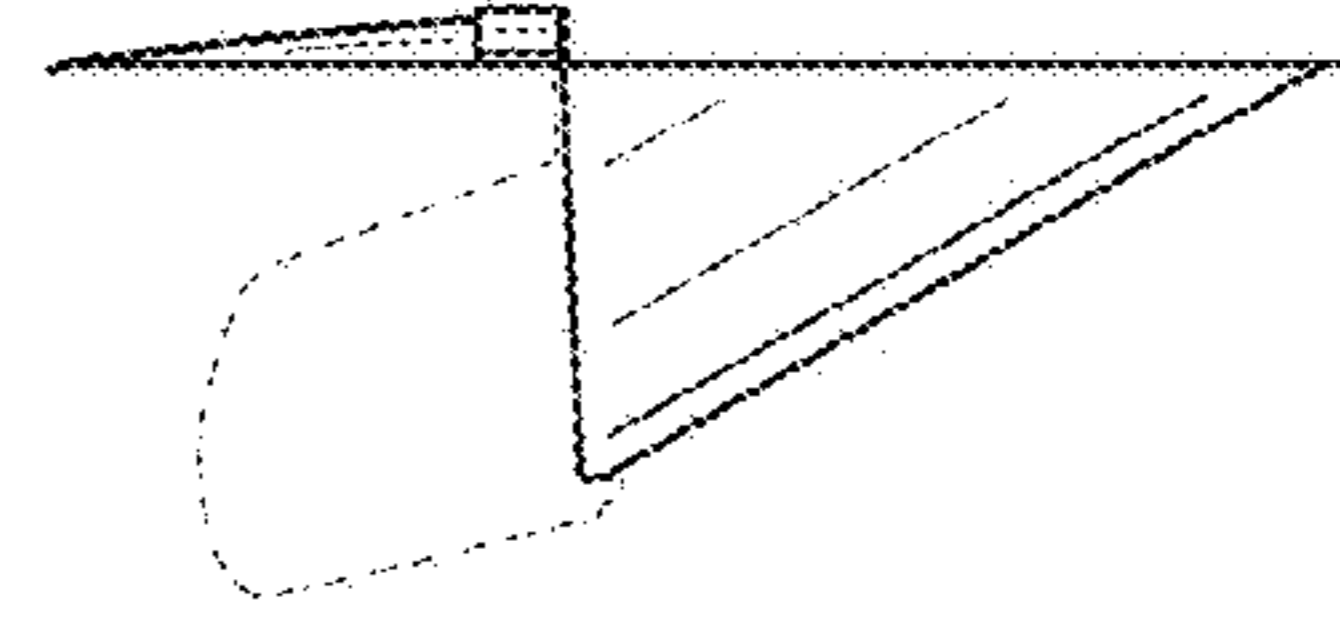


Fig. 4

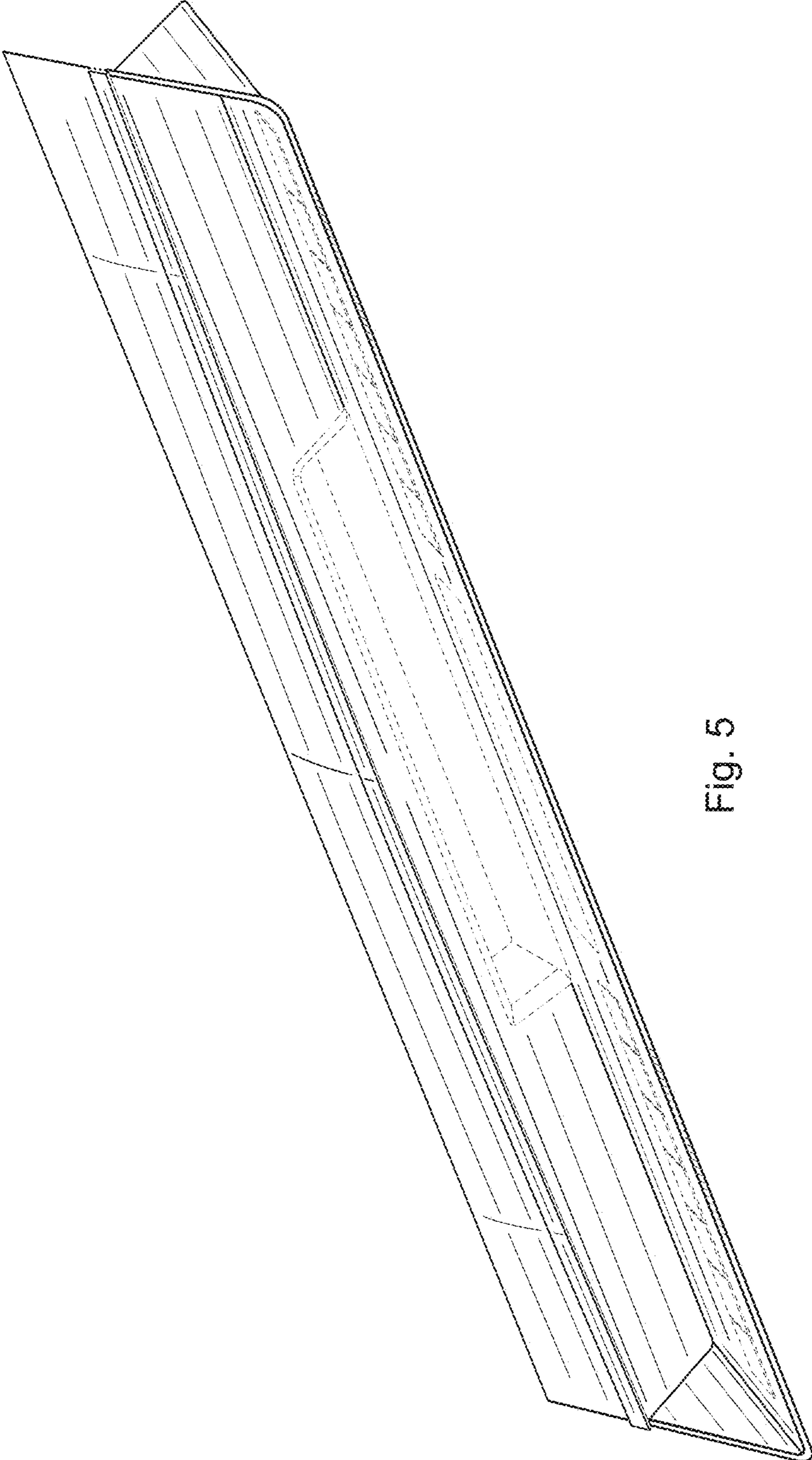


Fig. 5

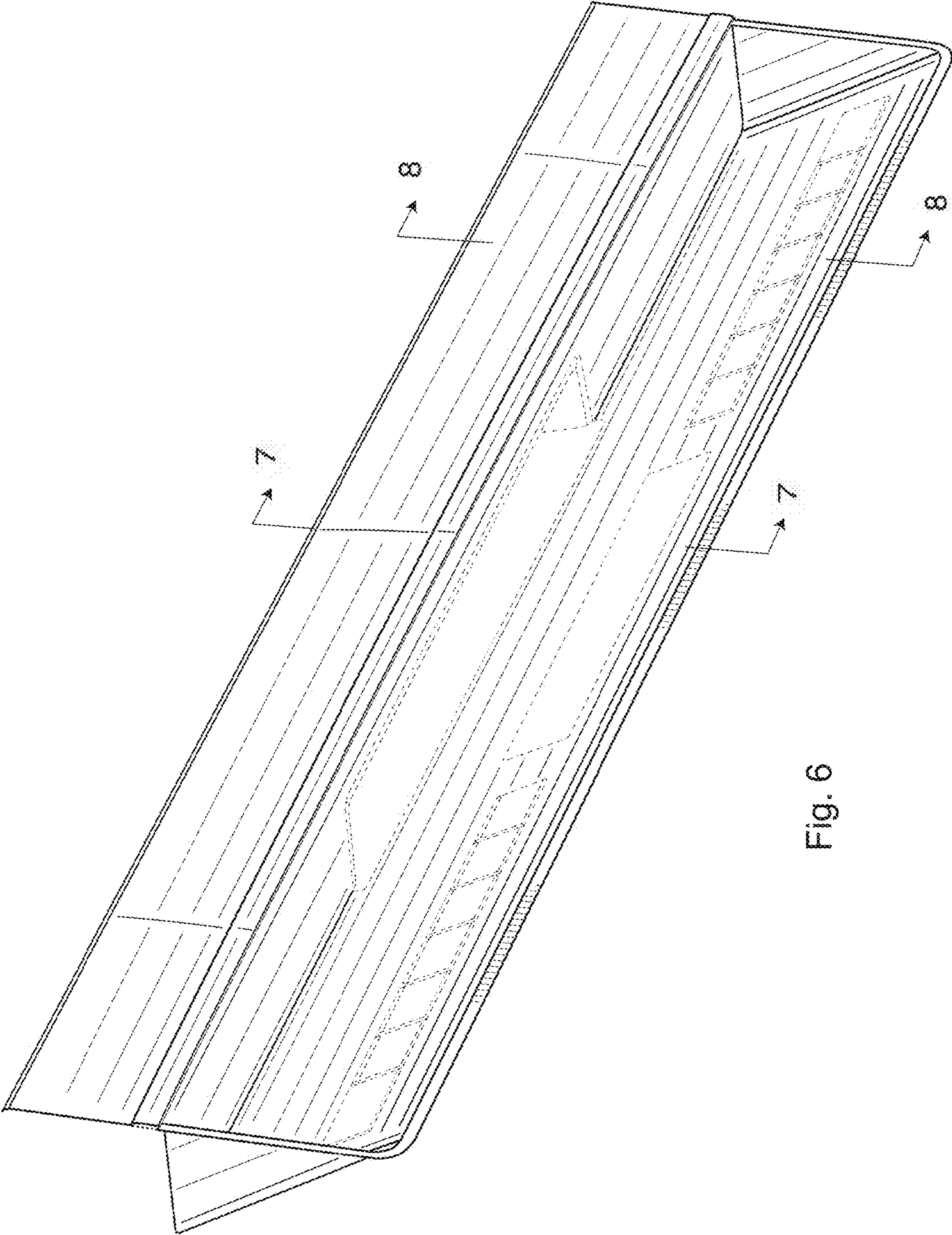


Fig. 6

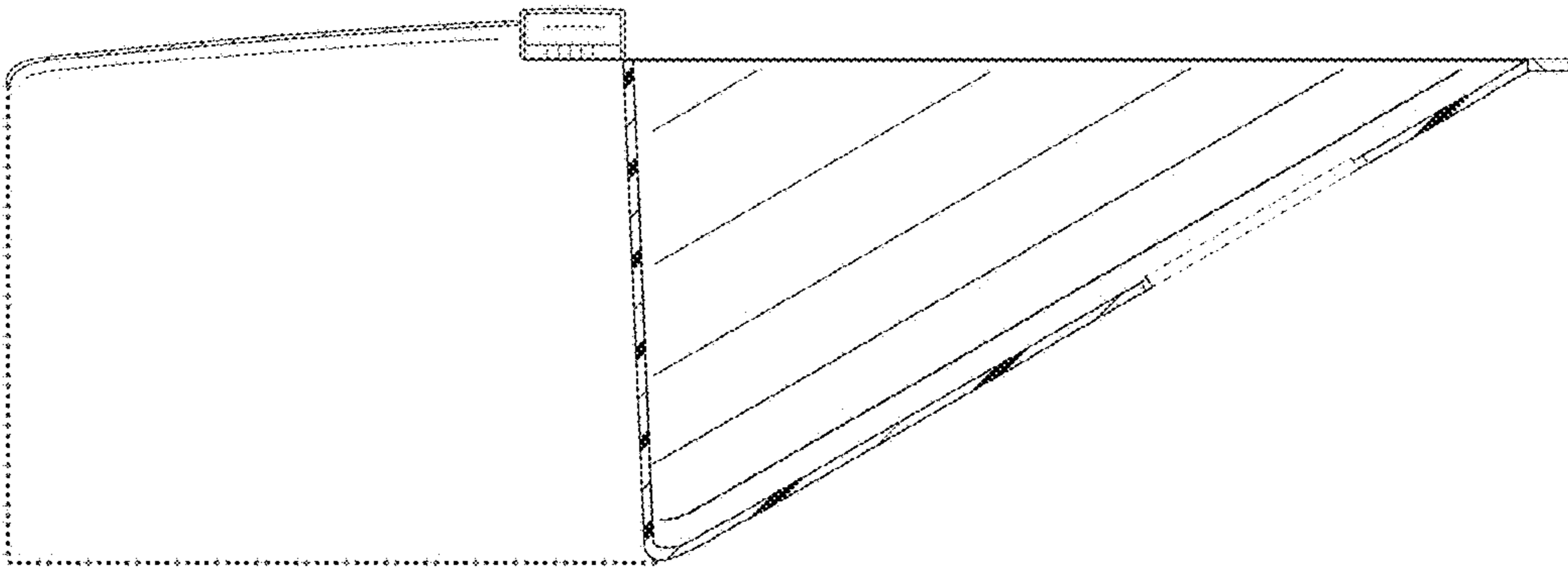


Fig. 8

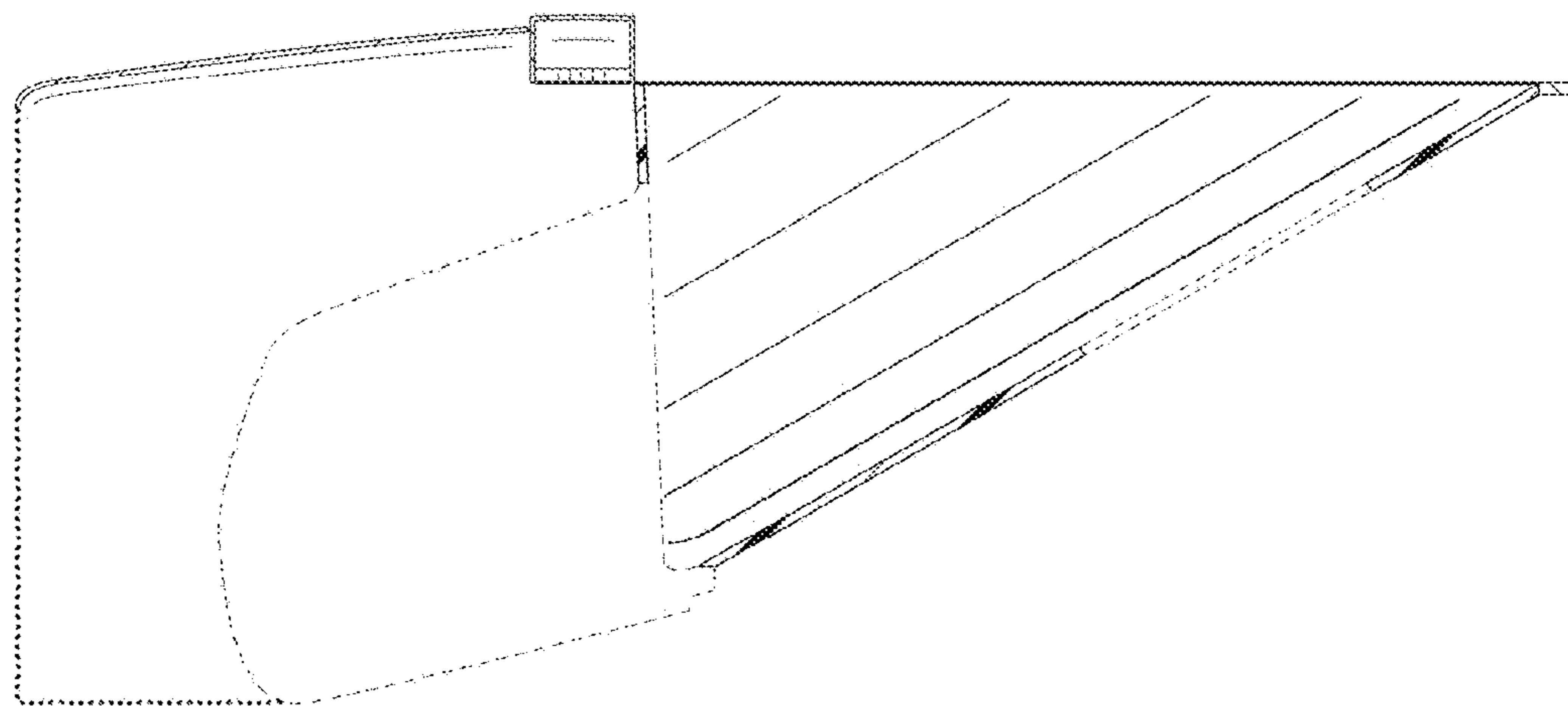


Fig. 7